



US00D595056S

(12) **United States Design Patent**
Pettersson

(10) **Patent No.:** **US D595,056 S**
(45) **Date of Patent:** **** Jun. 30, 2009**

(54) **MEMORY CARD HOLDER**

(75) Inventor: **Sven Pettersson**, Zug (CH)

(73) Assignee: **Gepe Development AG**, Zug (CH)

(**) Term: **14 Years**

(21) Appl. No.: **29/278,204**

(22) Filed: **Mar. 22, 2007**

(30) **Foreign Application Priority Data**

Sep. 22, 2006 (EM) 000593066-001

(51) **LOC (9) Cl.** **03-01**

(52) **U.S. Cl.** **D3/319; D14/436**

(58) **Field of Classification Search** D3/247,
D3/249, 318, 319; D9/424, 456; D14/432,
D14/435-436; 206/307.1, 320, 450, 472-473,
206/523, 576; 211/41.12; D19/33; D6/407,
D6/626

See application file for complete search history.

(56) **References Cited**

U.S. PATENT DOCUMENTS

D369,469	S *	5/1996	Gregory	D3/319
D385,108	S *	10/1997	Tschudy	D3/262
6,275,383	B1 *	8/2001	Bohm	361/752
6,427,918	B1 *	8/2002	Endejan et al.	235/486
6,443,306	B1 *	9/2002	Davies et al.	206/473
D536,524	S *	2/2007	Takeuchi	D3/247
7,306,159	B1 *	12/2007	Rochelo	235/492
7,325,744	B2 *	2/2008	Porter	235/486
7,475,816	B1 *	1/2009	Rochelo	235/386
2005/0173286	A1 *	8/2005	Hansen	206/472
2007/0065090	A1 *	3/2007	Lin	385/147

2008/0156676	A1 *	7/2008	Verma	206/307
2008/0173598	A1 *	7/2008	Fiorentino	211/41.12
2008/0272025	A1 *	11/2008	Lee	206/701
2009/0014344	A1 *	1/2009	Altman et al.	206/307.1

FOREIGN PATENT DOCUMENTS

EP	1814065	A1 *	8/2007
JP	2007026211	A *	2/2007

* cited by examiner

Primary Examiner—Philip S Hyder

Assistant Examiner—Roselyne Cody

(74) *Attorney, Agent, or Firm*—Michael G. Johnston; Moore & Van Allen PLLC

(57) **CLAIM**

The ornamental design for a memory card holder, as shown and described.

DESCRIPTION

FIG. 1 is a front elevation view of a memory card holder showing my new design.

FIG. 2 is a left side elevation view of a memory card holder showing my new design.

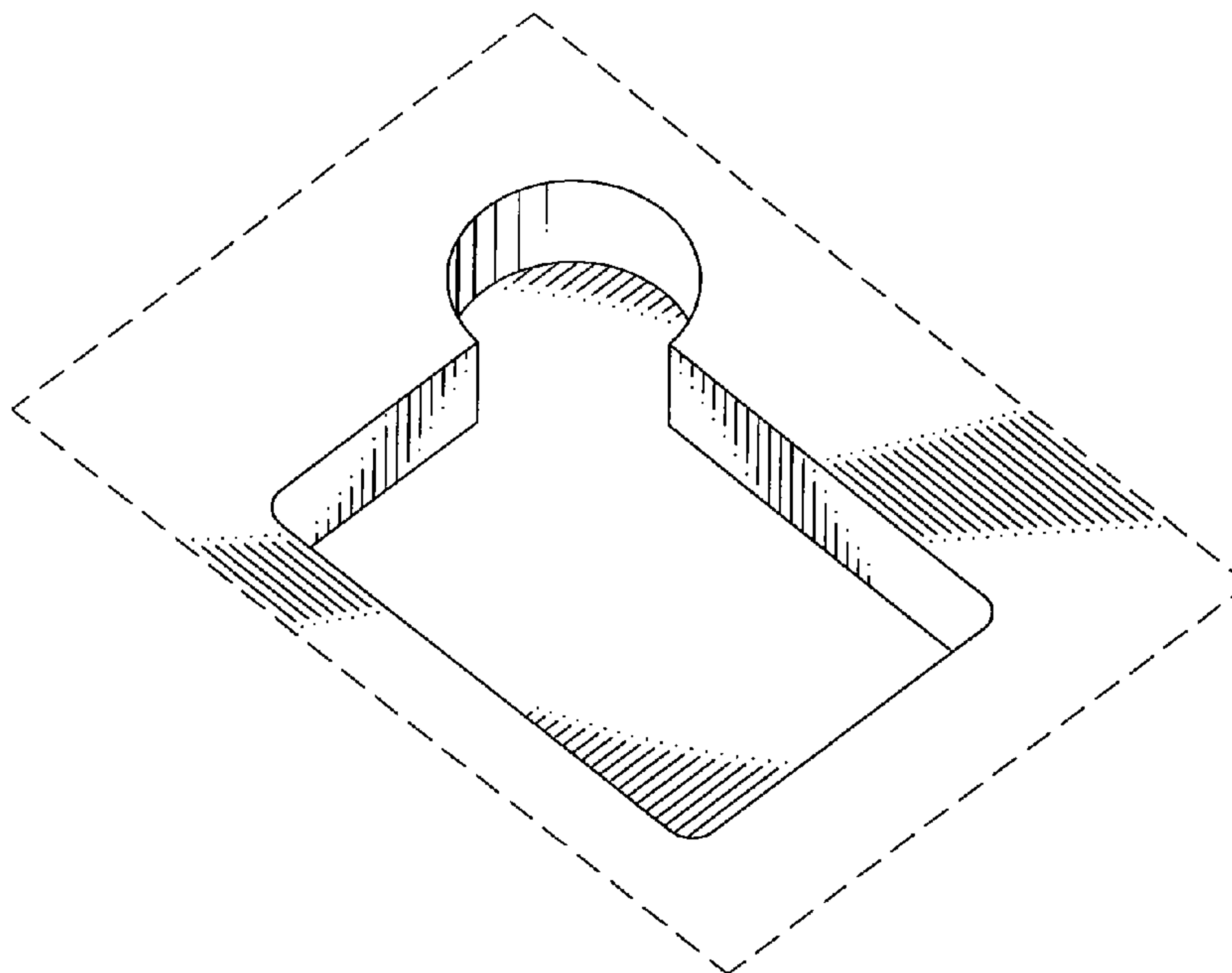
FIG. 3 is a side elevation view of a memory card holder showing my new design.

FIG. 4 is an end elevation view of a memory card holder showing my new design; and,

FIG. 5 is a bottom plan view of the memory card holder shown in FIG. 1 showing my new design.

The broken lines in the figures indicate boundary of the claimed design.

1 Claim, 2 Drawing Sheets



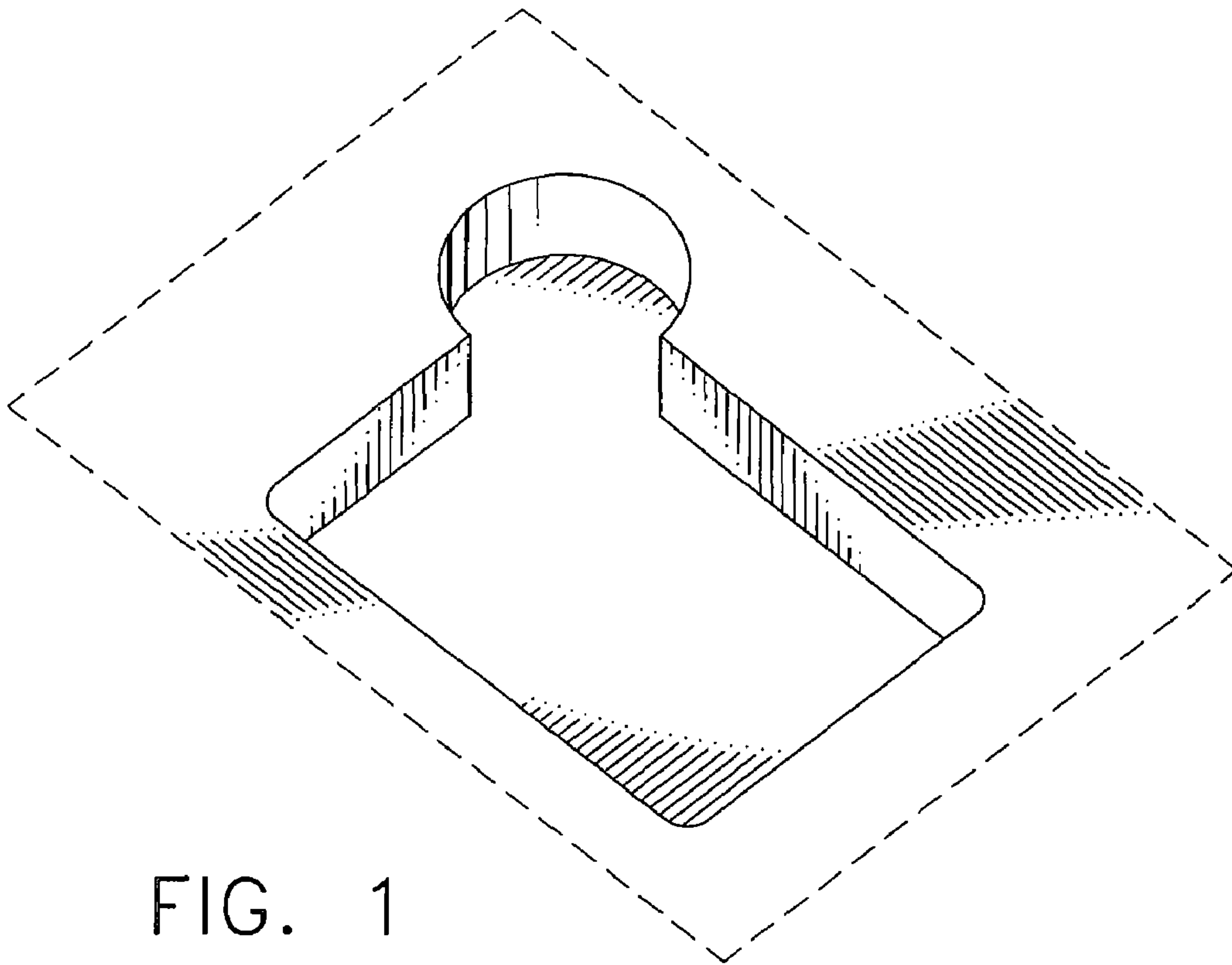


FIG. 1

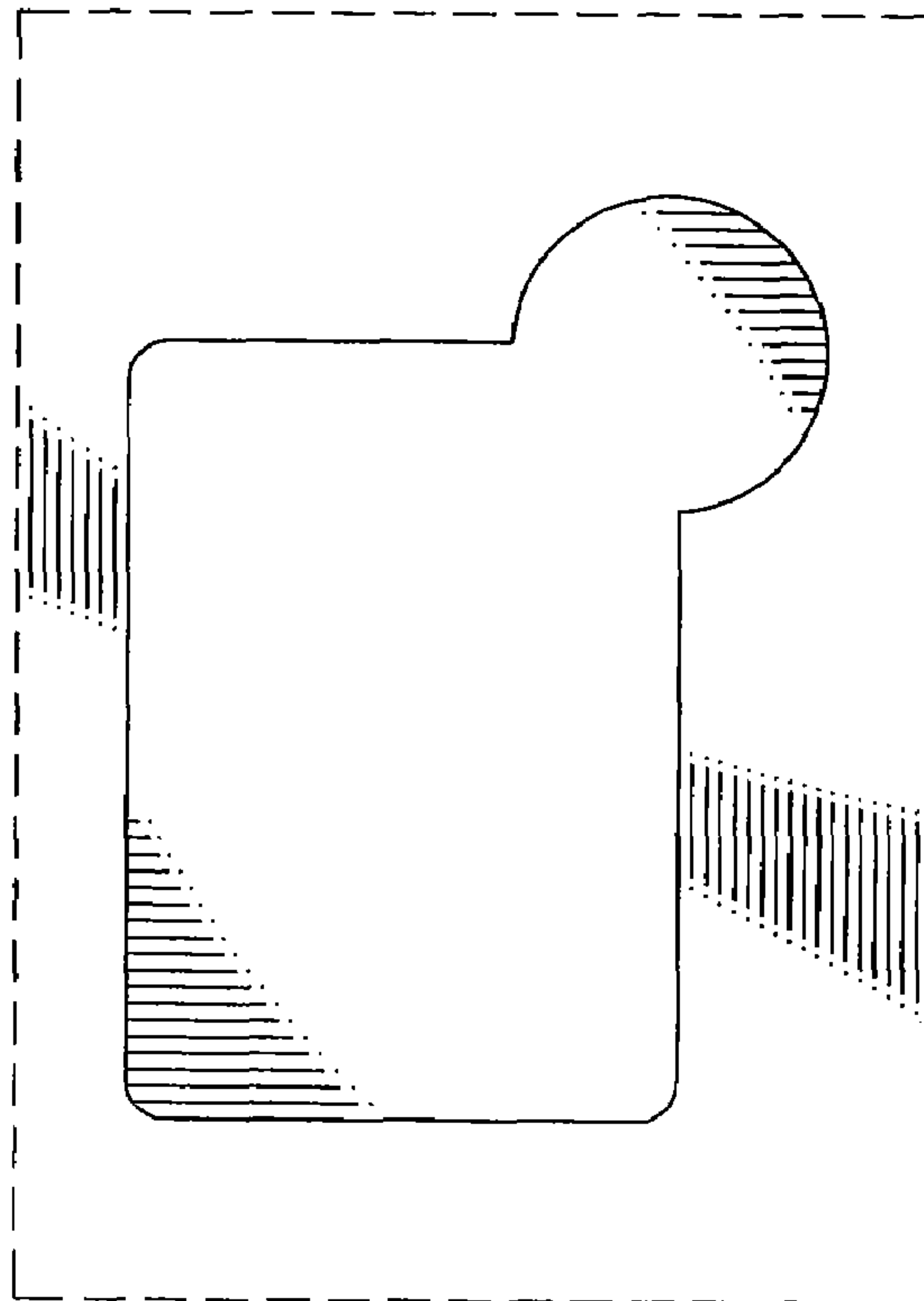


FIG. 2

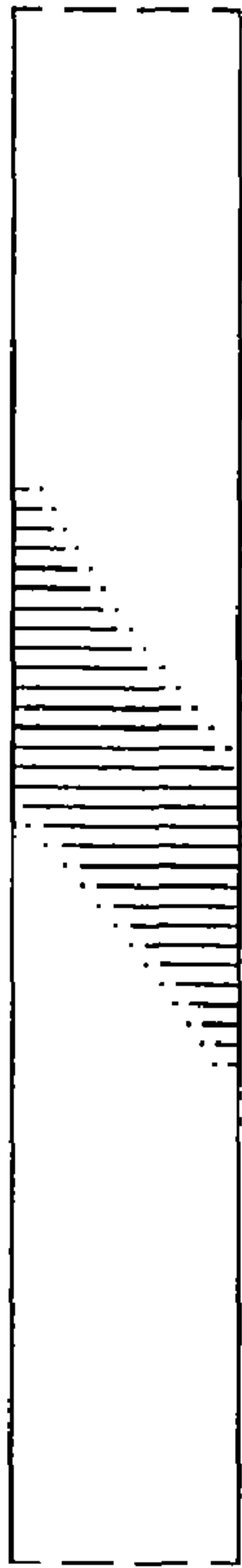


FIG. 3

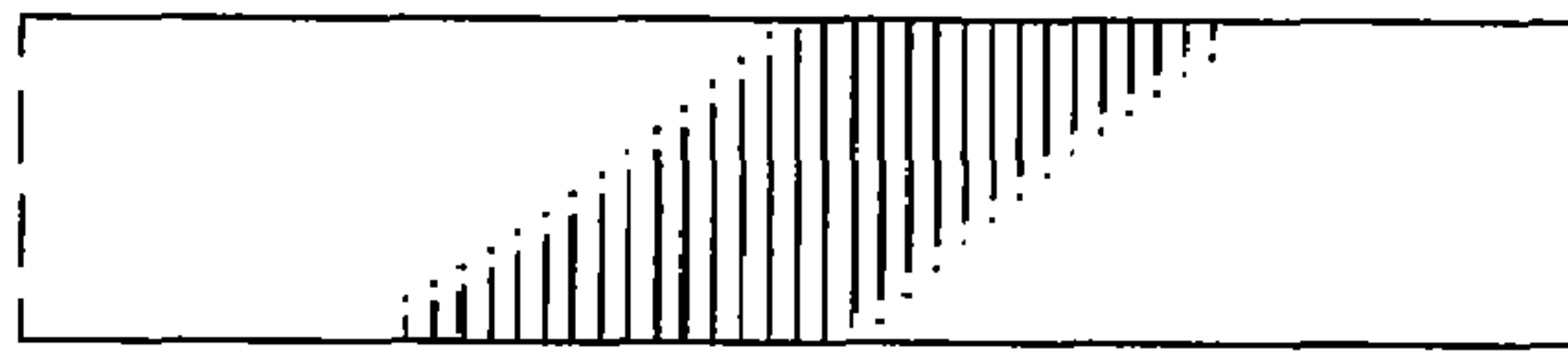


FIG. 4

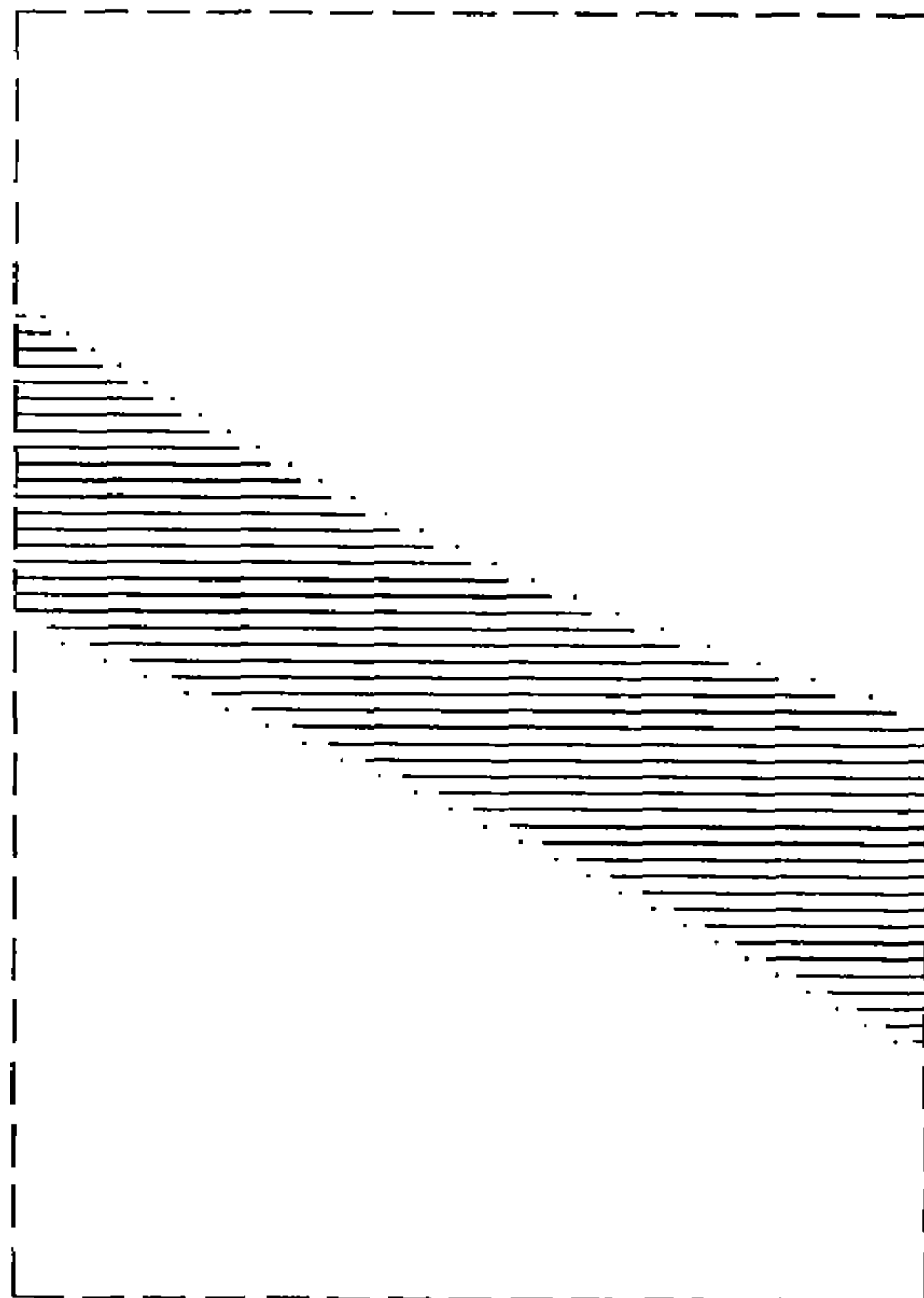


FIG. 5