



US00D595055S

(12) **United States Design Patent**  
**Lucido**

(10) **Patent No.:** **US D595,055 S**  
(45) **Date of Patent:** **\*\* Jun. 30, 2009**

(54) **TIN CONTAINER WITH DOUBLE HINGE**

D418,292 S \* 1/2000 du Sartel ..... D3/246  
D418,680 S \* 1/2000 du Sartel ..... D3/303

(75) Inventor: **Dominick Lucido**, Smithtown, NY (US)

\* cited by examiner

(73) Assignee: **The Tin Box Company**, Farmingdale, NY (US)

*Primary Examiner*—Holly H Baynham

(74) *Attorney, Agent, or Firm*—Cozen O'Connor

(\*\*) Term: **14 Years**

(57) **CLAIM**

(21) Appl. No.: **29/325,754**

I claim the ornamental design for a tin container with double hinge, as shown and described.

(22) Filed: **Oct. 6, 2008**

(51) **LOC (9) Cl.** ..... **03-01**

(52) **U.S. Cl.** ..... **D3/318**

(58) **Field of Classification Search** ..... D3/232–233,  
D3/240–246, 318, 324; 150/100, 103–110,  
150/118–119

See application file for complete search history.

**DESCRIPTION**

FIG. 1 illustrates a perspective view of a tin container with double hinge in accordance with the present invention;

FIG. 2 illustrates a front view of a tin container with double hinge in accordance with the present invention;

FIG. 3 illustrates a top view of a tin container with double hinge in accordance with the present invention; and,

FIG. 4 illustrates a side view of a tin container with double hinge in accordance with the present invention.

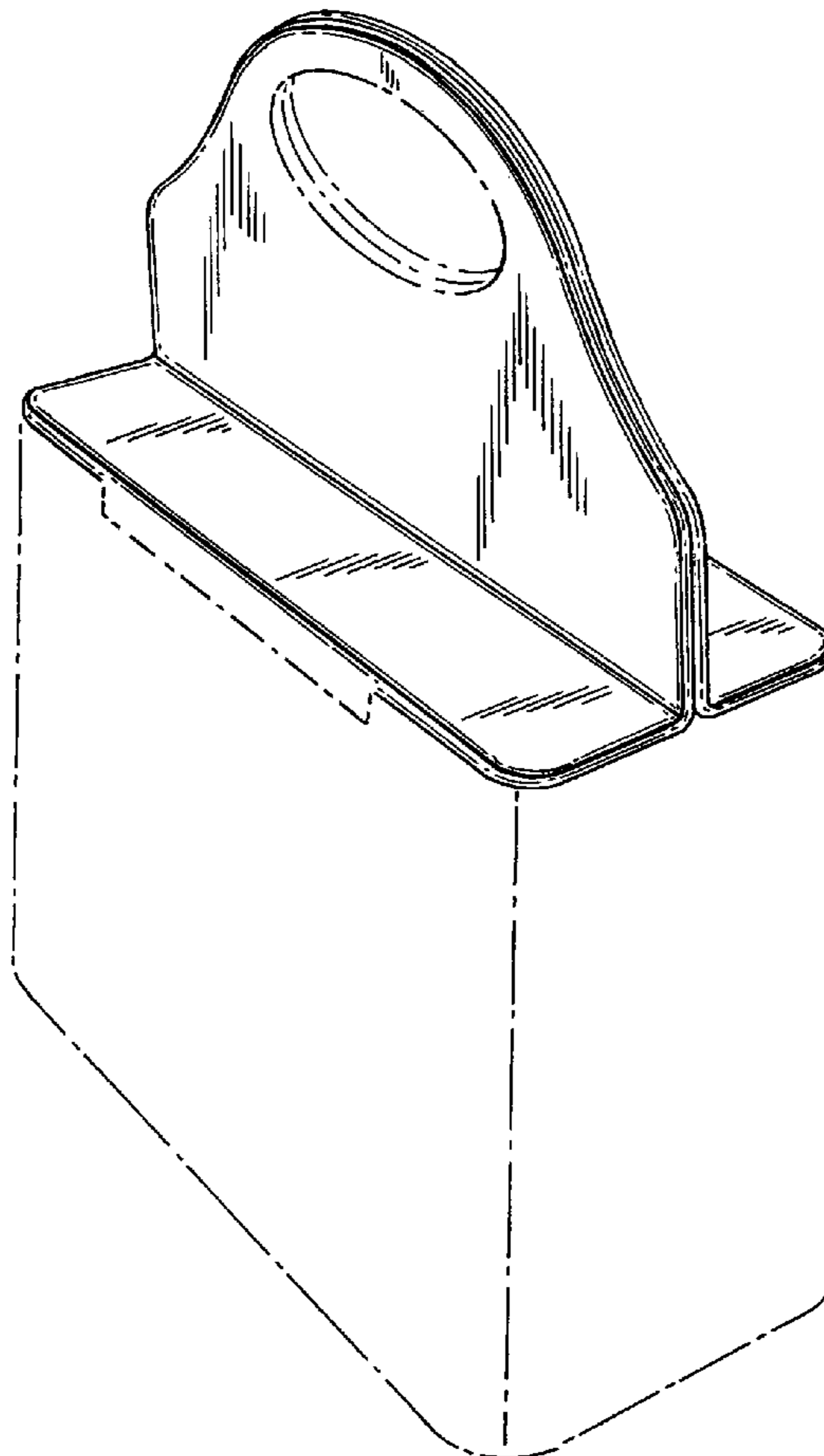
The broken lines of FIGS. 1–4 are for illustrative purposes only and form no part of the claimed design.

(56) **References Cited**

**U.S. PATENT DOCUMENTS**

D129,473 S \* 9/1941 Dupuis ..... D3/324  
4,088,167 A \* 5/1978 Schwartz ..... 150/107  
4,159,729 A \* 7/1979 Schwartz ..... 294/142  
D253,502 S \* 11/1979 Young ..... D8/316

**1 Claim, 3 Drawing Sheets**



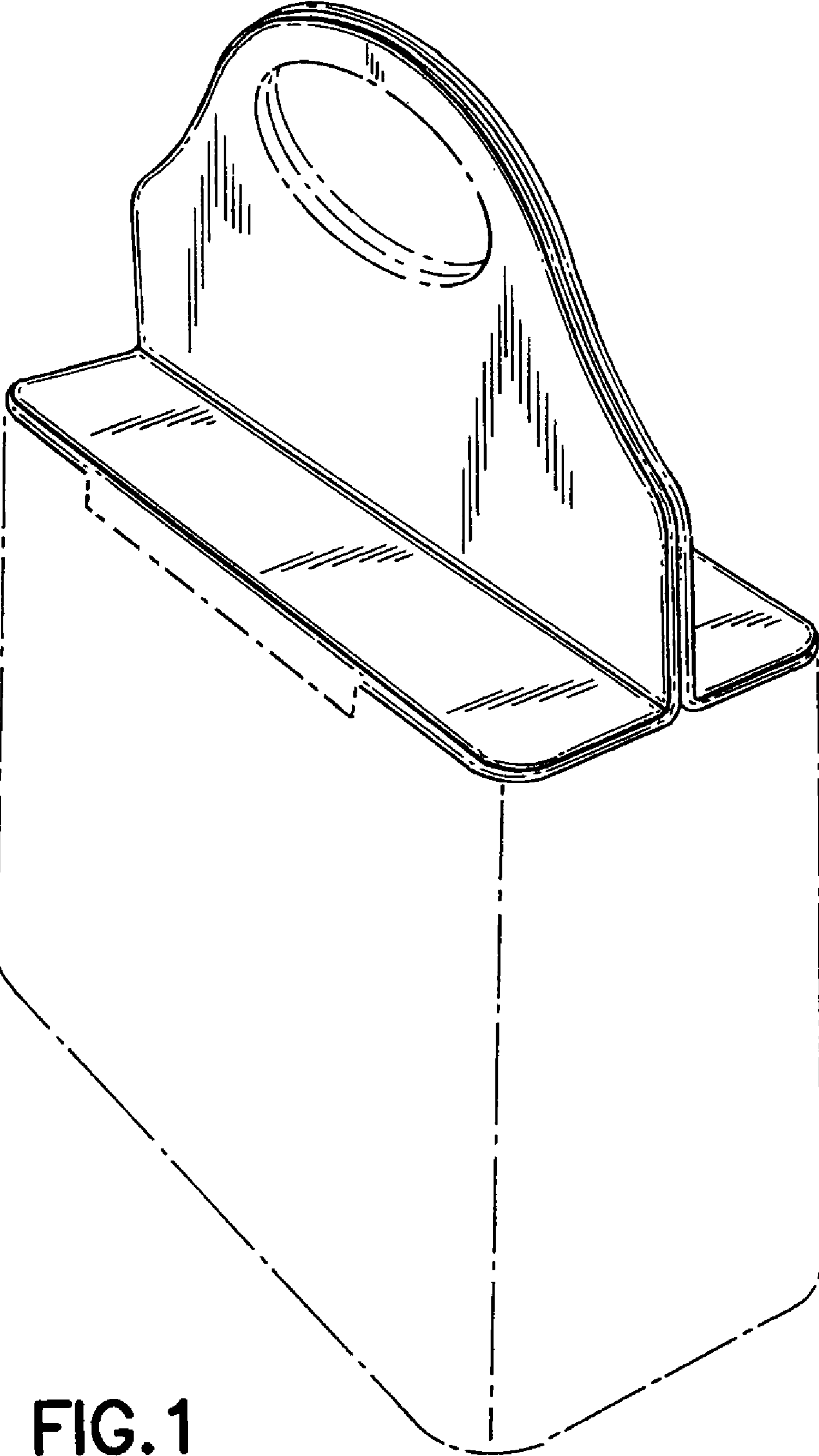


FIG. 1

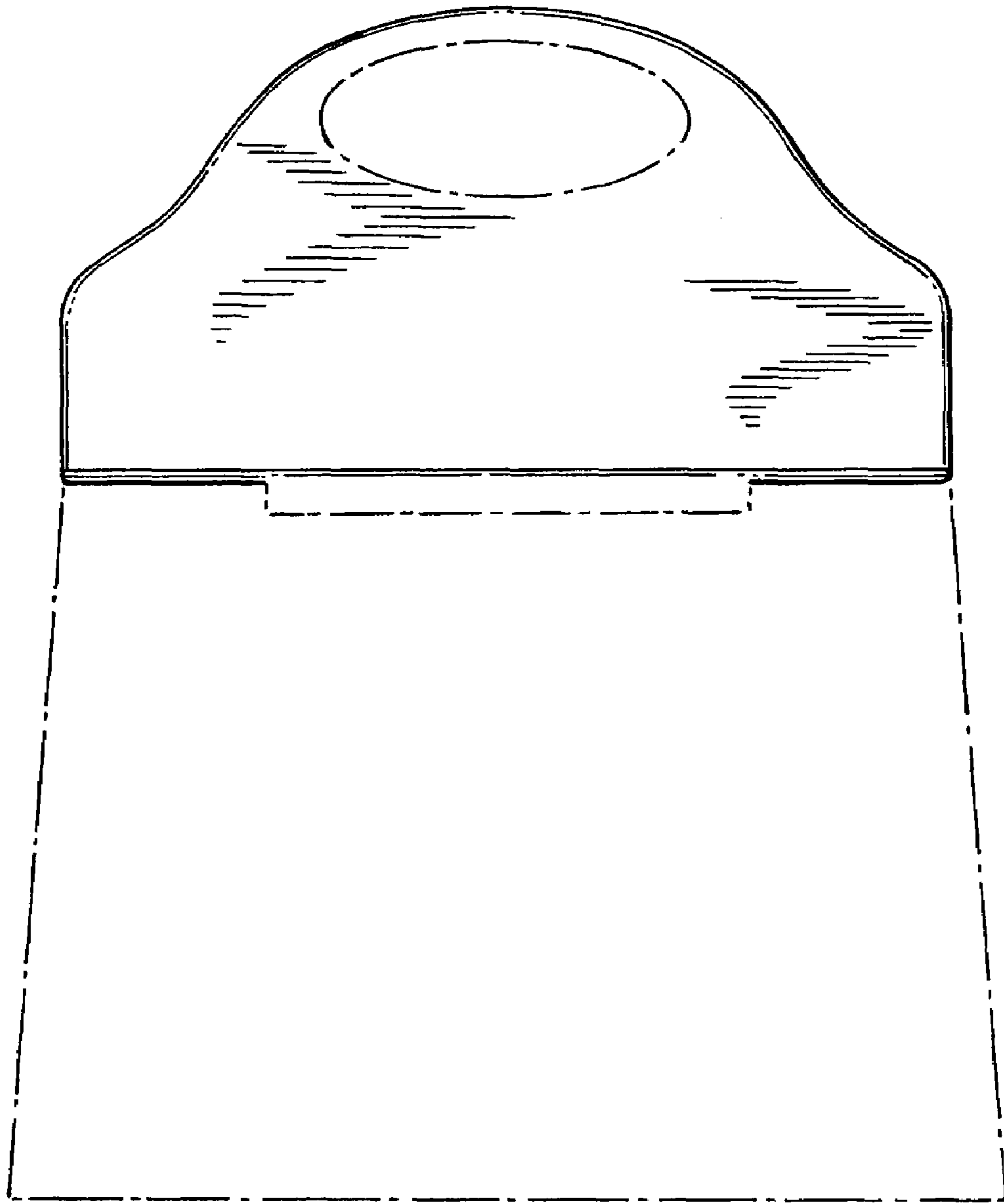


FIG.2

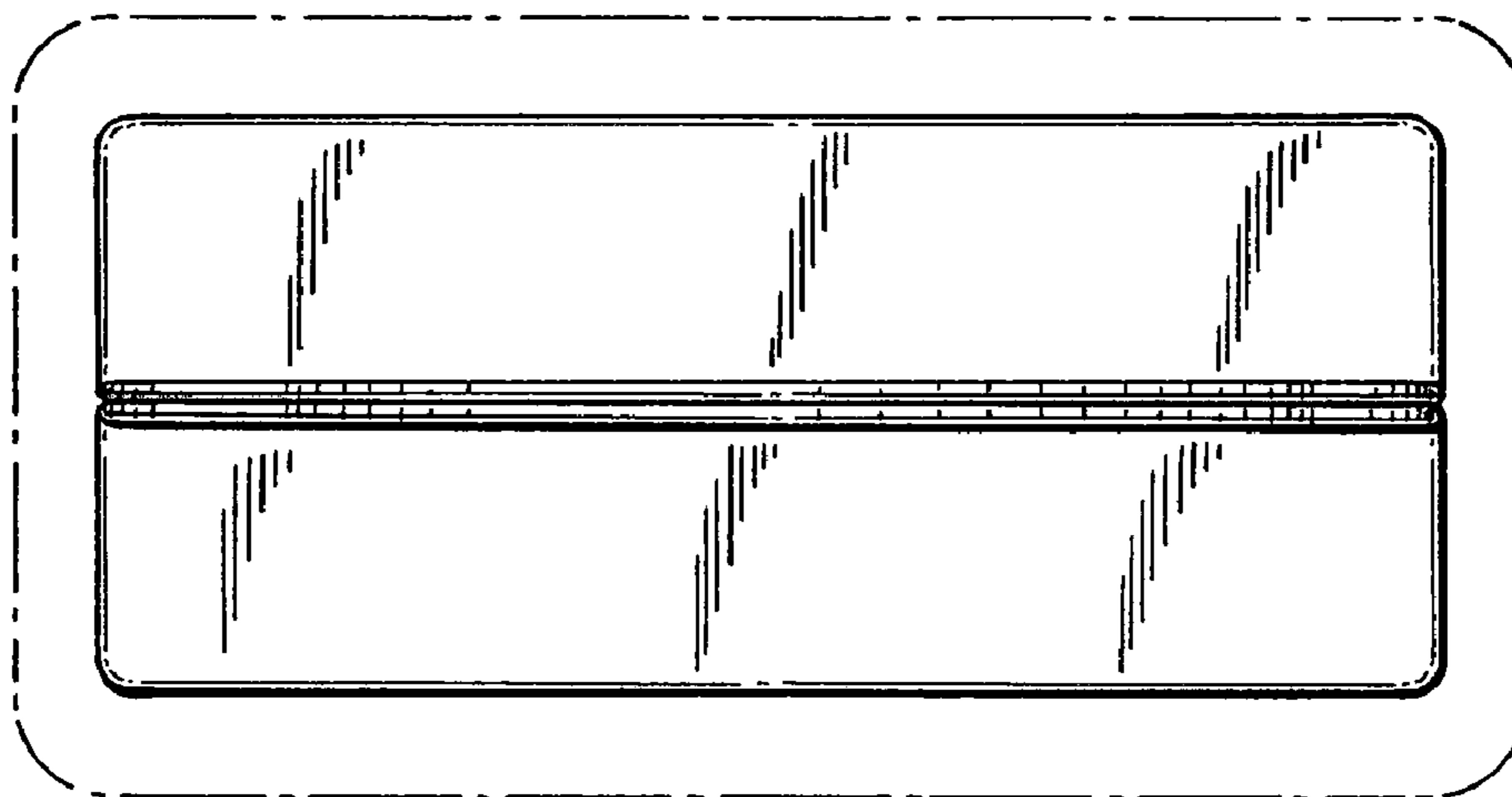


FIG. 3

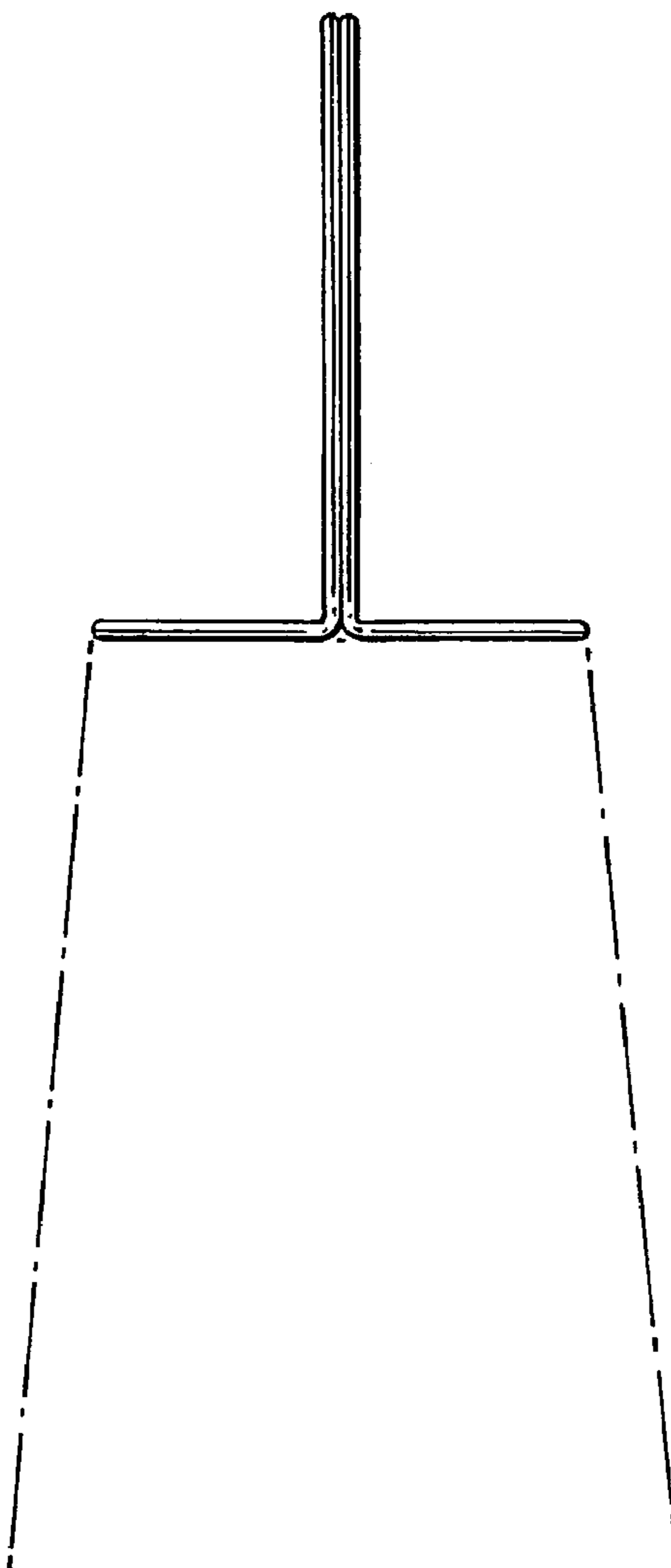


FIG. 4