



US00D595049S

(12) **United States Design Patent**
Rice

(10) **Patent No.:** **US D595,049 S**
(45) **Date of Patent:** **** Jun. 30, 2009**

(54) **PEDICURE SOCK WITH SHOE DESIGN**

(76) Inventor: **Scott H. Rice**, 19402 Castlewood Cir.,
Huntington Beach, CA (US) 92648

(**) Term: **14 Years**

(21) Appl. No.: **29/310,826**

(22) Filed: **Sep. 10, 2008**

(51) **LOC (9) Cl.** **02-04**

(52) **U.S. Cl.** **D2/994; D2/980**

(58) **Field of Classification Search** D2/980-994,
D2/929, 943; 2/239-242, 244, 247, 409;
66/171, 178 R, 179, 182, 185-187, 196, 201-202
See application file for complete search history.

(56) **References Cited**

U.S. PATENT DOCUMENTS

D375,195 S *	11/1996	Panassidi	D2/989
D392,795 S *	3/1998	Ogden	D2/980
5,749,100 A *	5/1998	Rosenberg	2/239
D451,263 S *	12/2001	Ransan	D2/943
D487,842 S *	3/2004	Booker, III	D2/980
D489,887 S *	5/2004	Mavis et al.	D2/994
D500,588 S	1/2005	Mavis et al.	
D509,652 S	9/2005	Cooper	
D513,836 S *	1/2006	Magro et al.	D2/943
D532,962 S *	12/2006	Teteriatnikov	D2/929
D548,951 S *	8/2007	Paulin	D2/980
D554,849 S	11/2007	Newson	

* cited by examiner

Primary Examiner—T. Chase Nelson
Assistant Examiner—Kathleen M Sims
(74) *Attorney, Agent, or Firm*—Christie, Parker & Hale, LLP

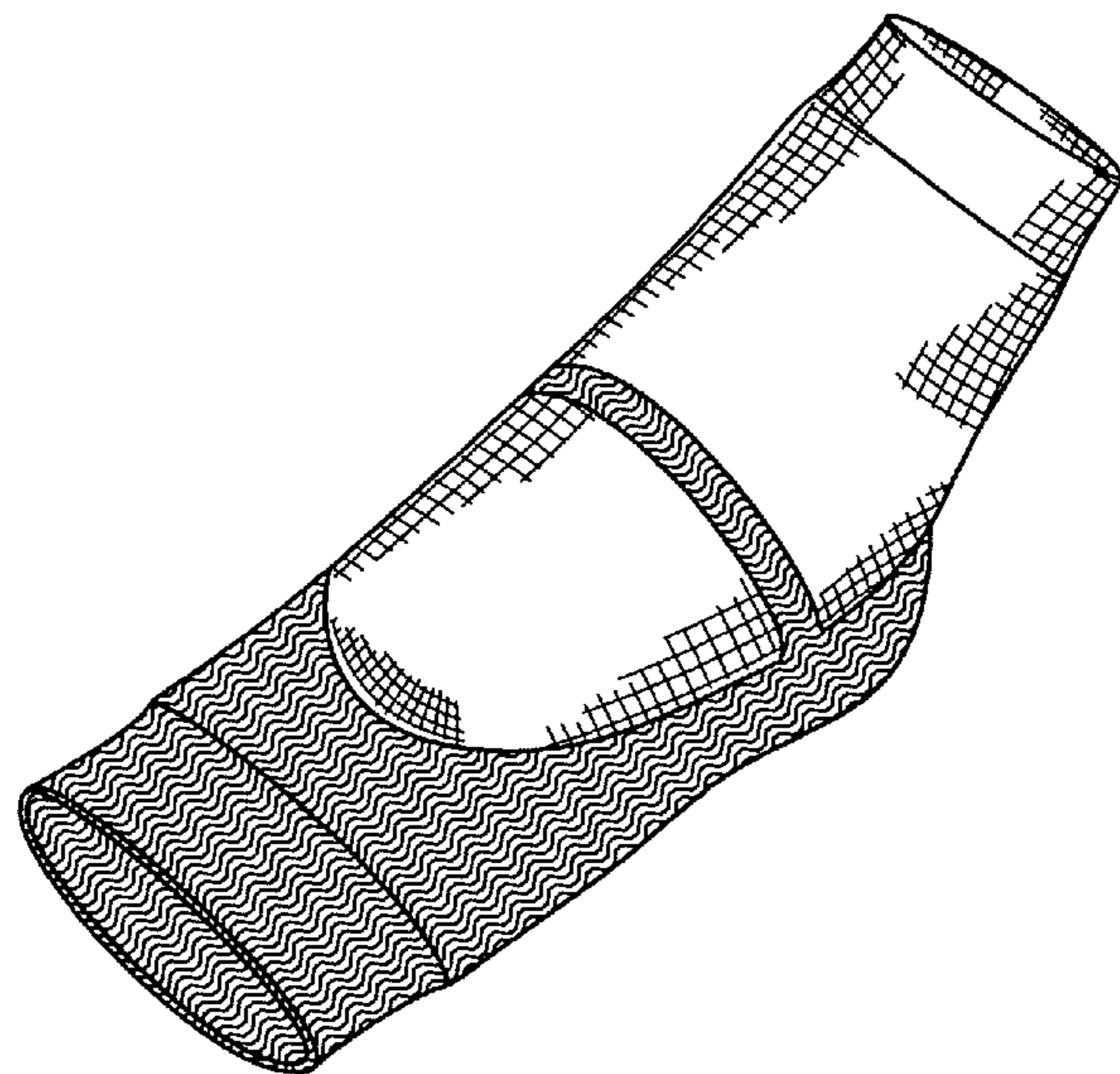
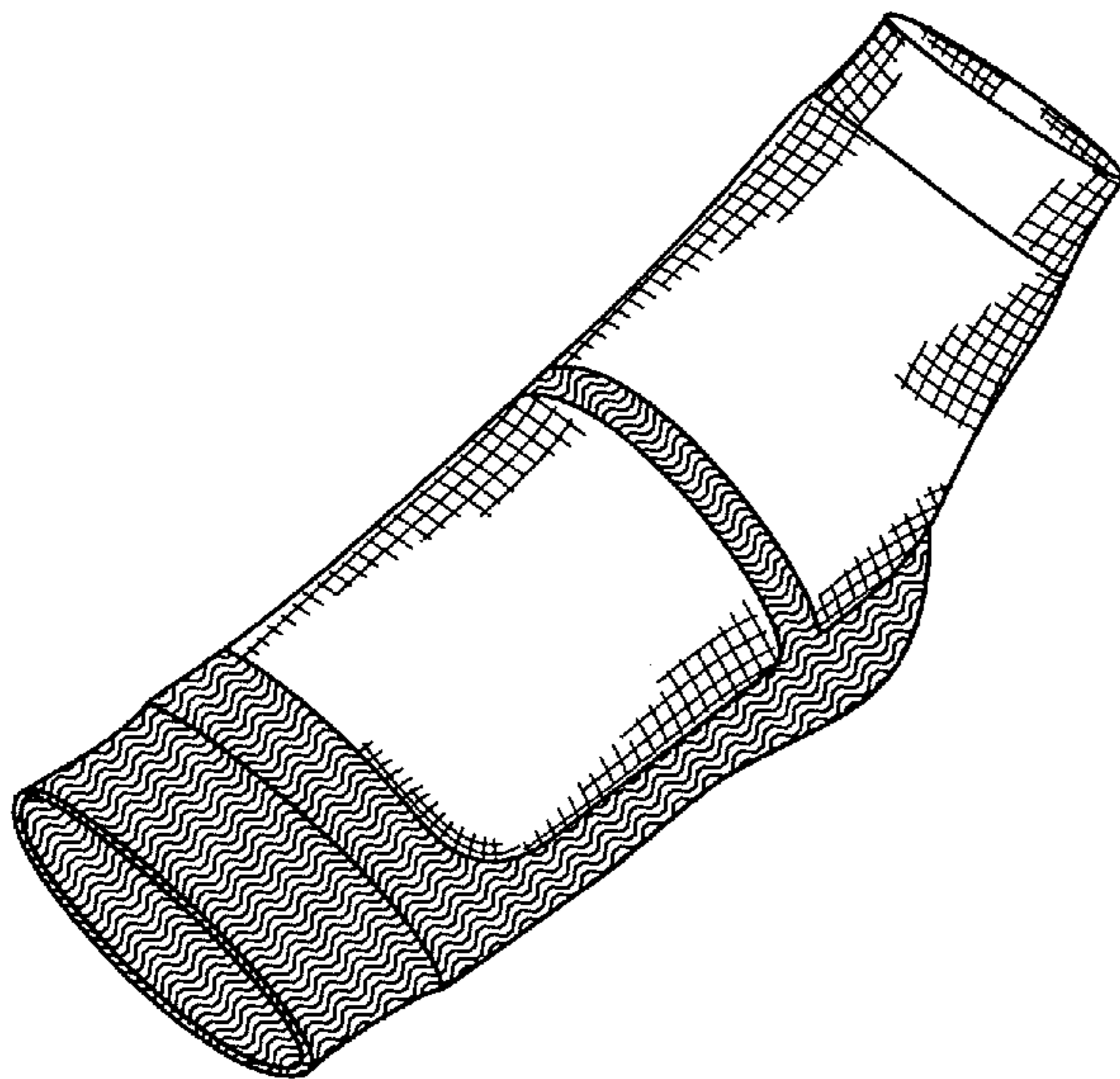
(57) **CLAIM**

The ornamental design for pedicure sock with shoe design, as shown and described.

DESCRIPTION

FIG. 1 is a perspective view of a first embodiment of a pedicure sock with shoe design showing my new design;
FIG. 2 is a side elevational view of the sock of FIG. 1;
FIG. 3 is another side elevational view of the sock of FIG. 1;
FIG. 4 is a top plan view of the sock of FIG. 1;
FIG. 5 is a bottom plan view of the sock of FIG. 1;
FIG. 6 is a front elevational view of the sock of FIG. 1;
FIG. 7 is a rear elevational view of the sock of FIG. 1;
FIG. 8 is a perspective view of a second embodiment of a pedicure sock with shoe design;
FIG. 9 is a side elevational view of the sock of FIG. 8;
FIG. 10 is another side elevational view of the sock of FIG. 8;
FIG. 11 is a top plan view of the sock of FIG. 8;
FIG. 12 is a bottom plan view of the sock of FIG. 8;
FIG. 13 is a front elevational view of the sock of FIG. 8; and,
FIG. 14 is a rear elevational view of the sock of FIG. 8.

1 Claim, 8 Drawing Sheets



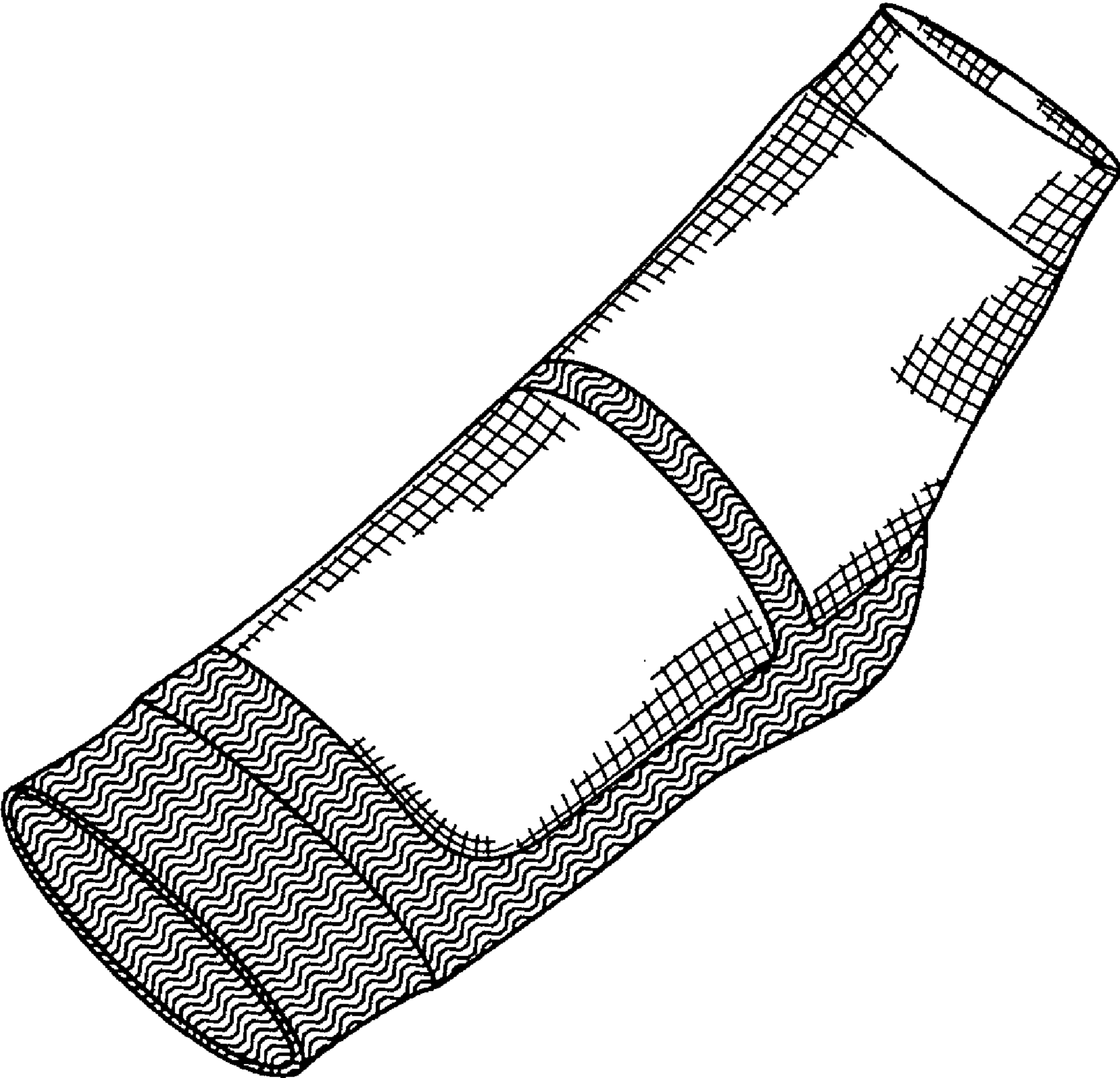


FIG. 1

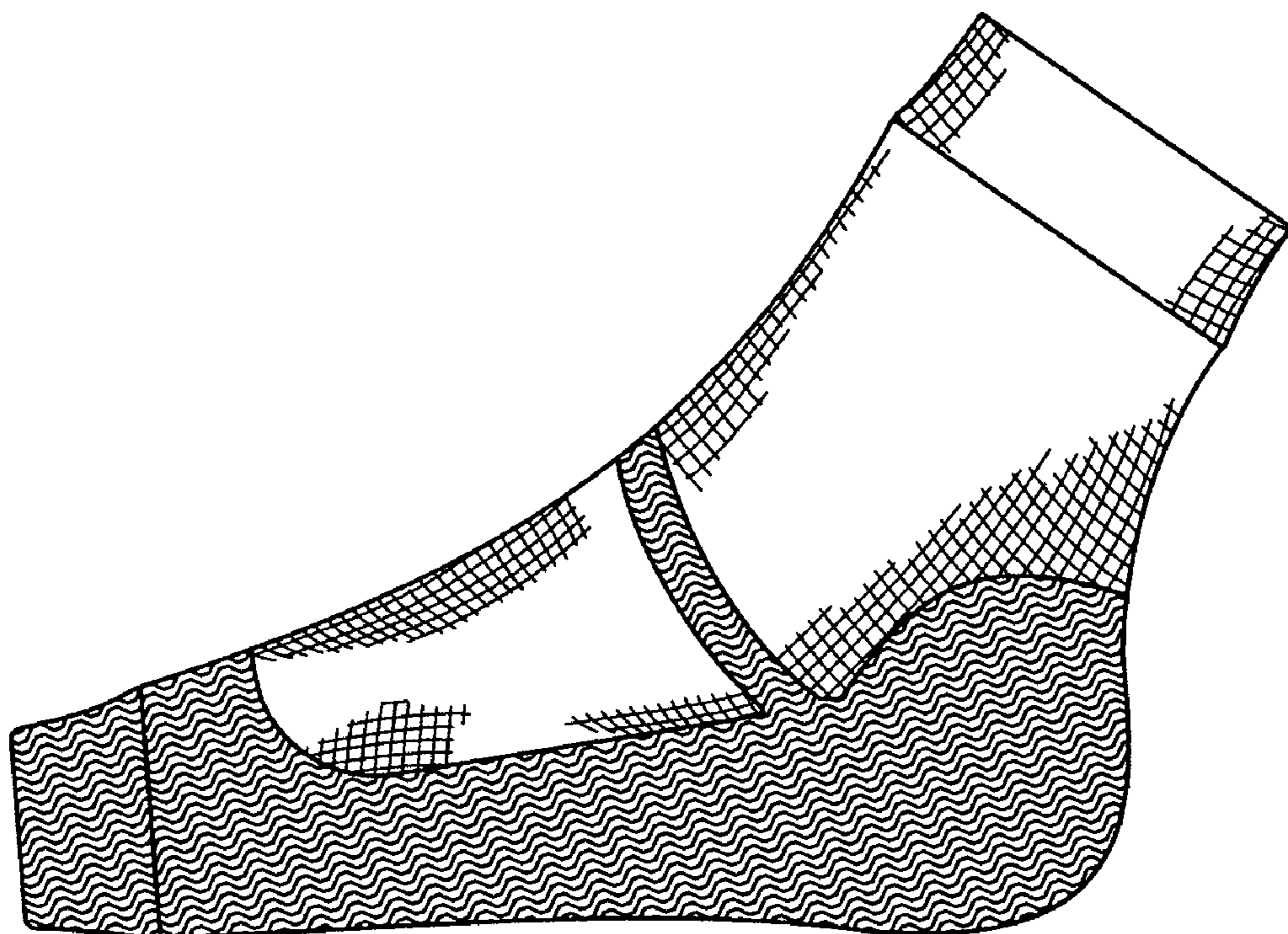


FIG. 2

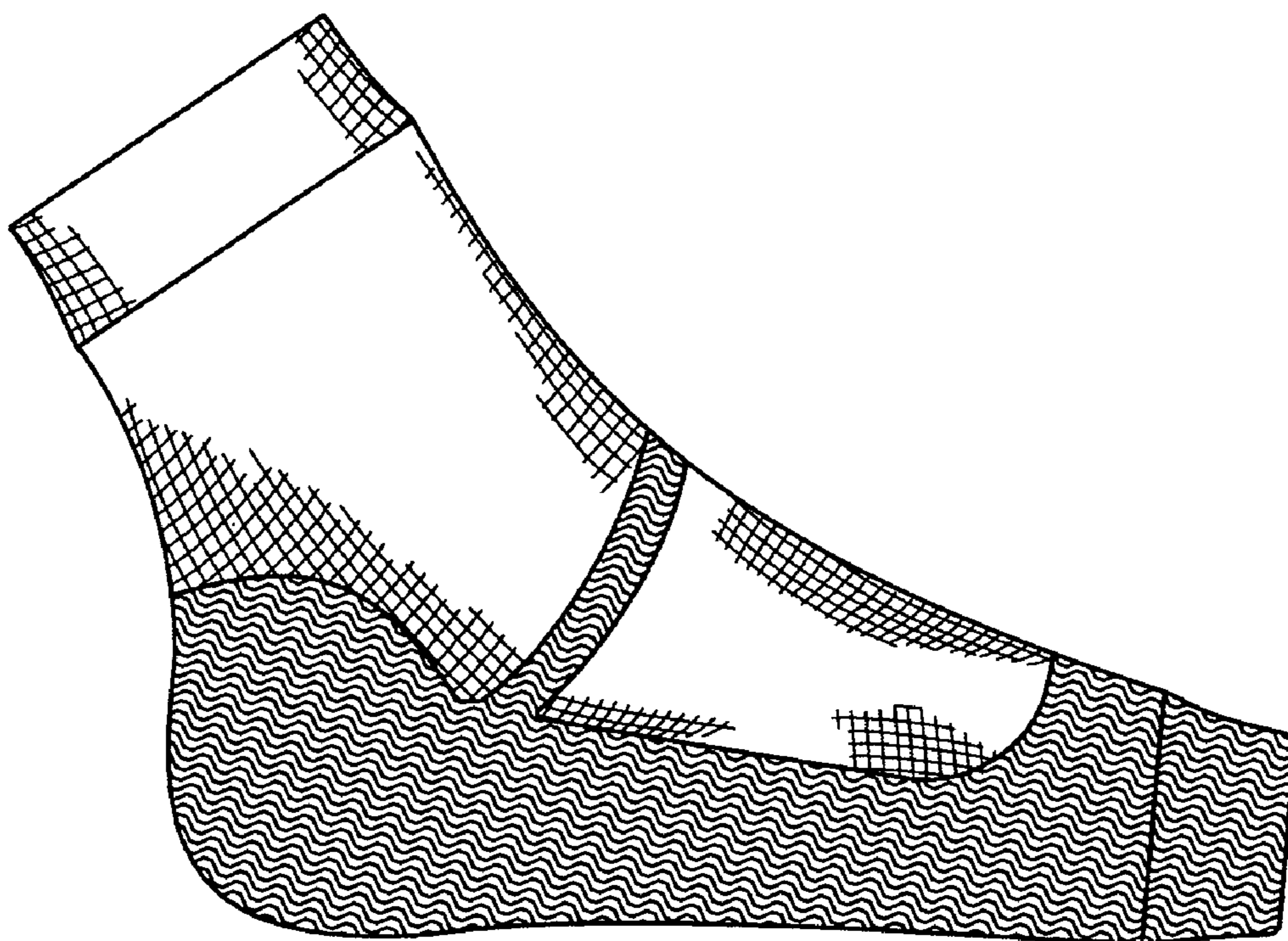


FIG. 3

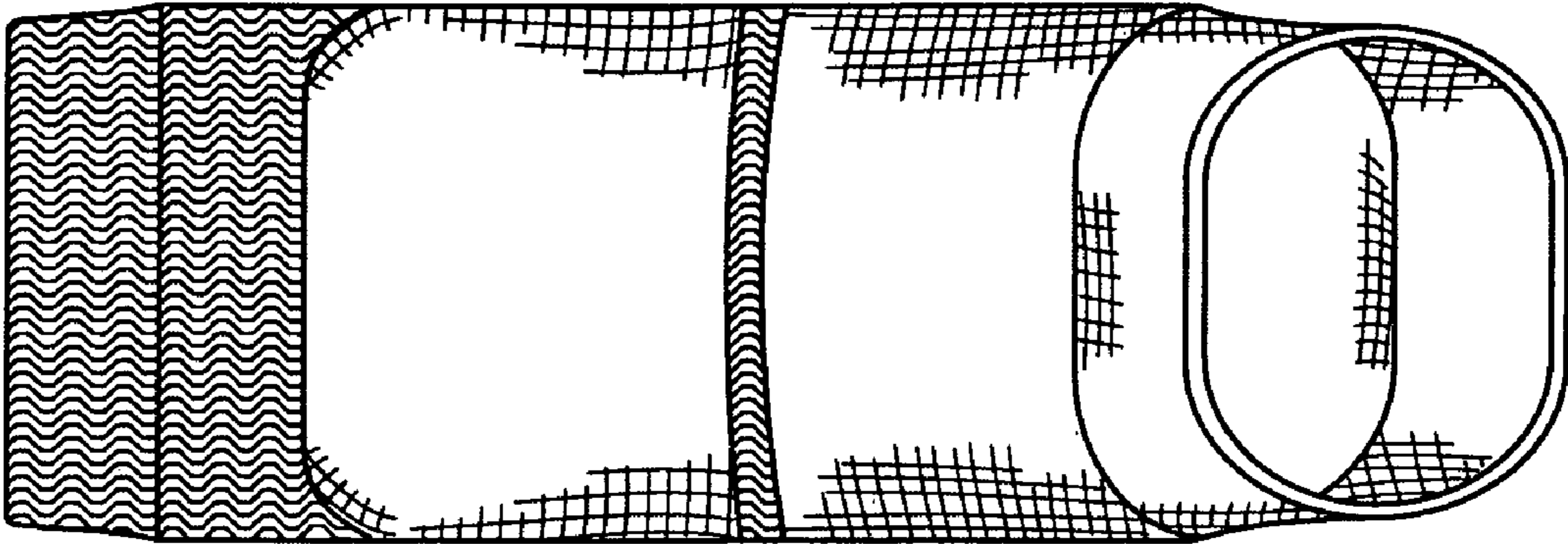


FIG. 4

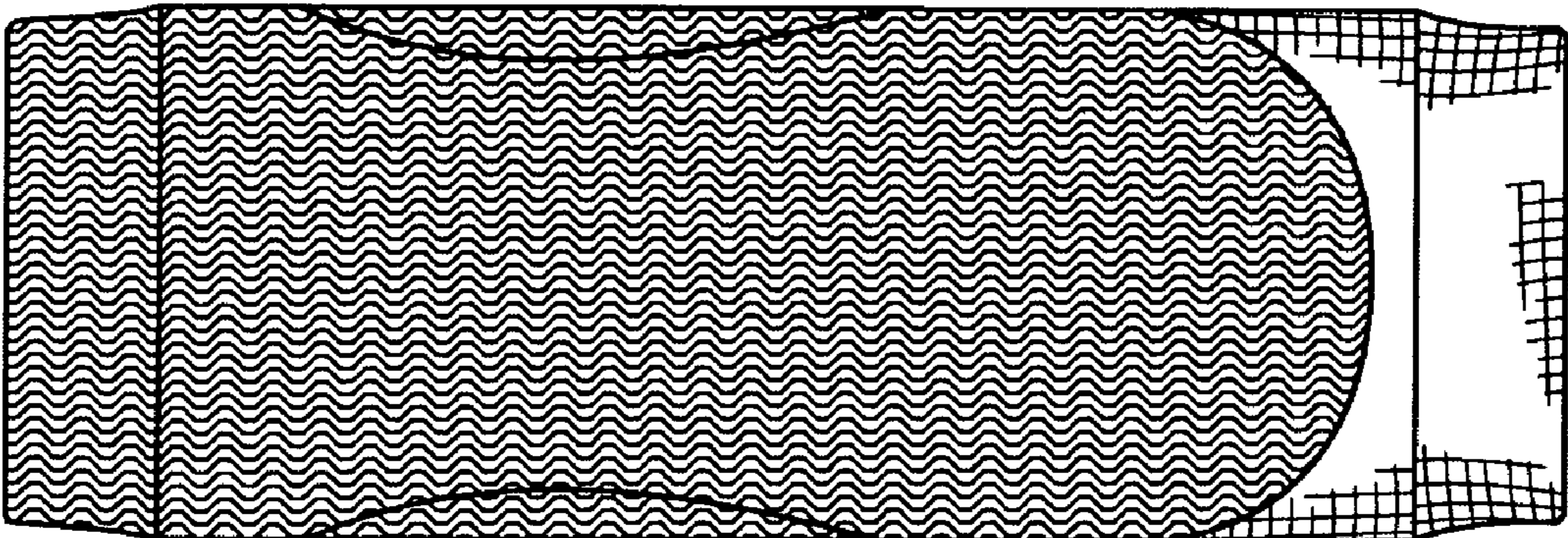


FIG. 5

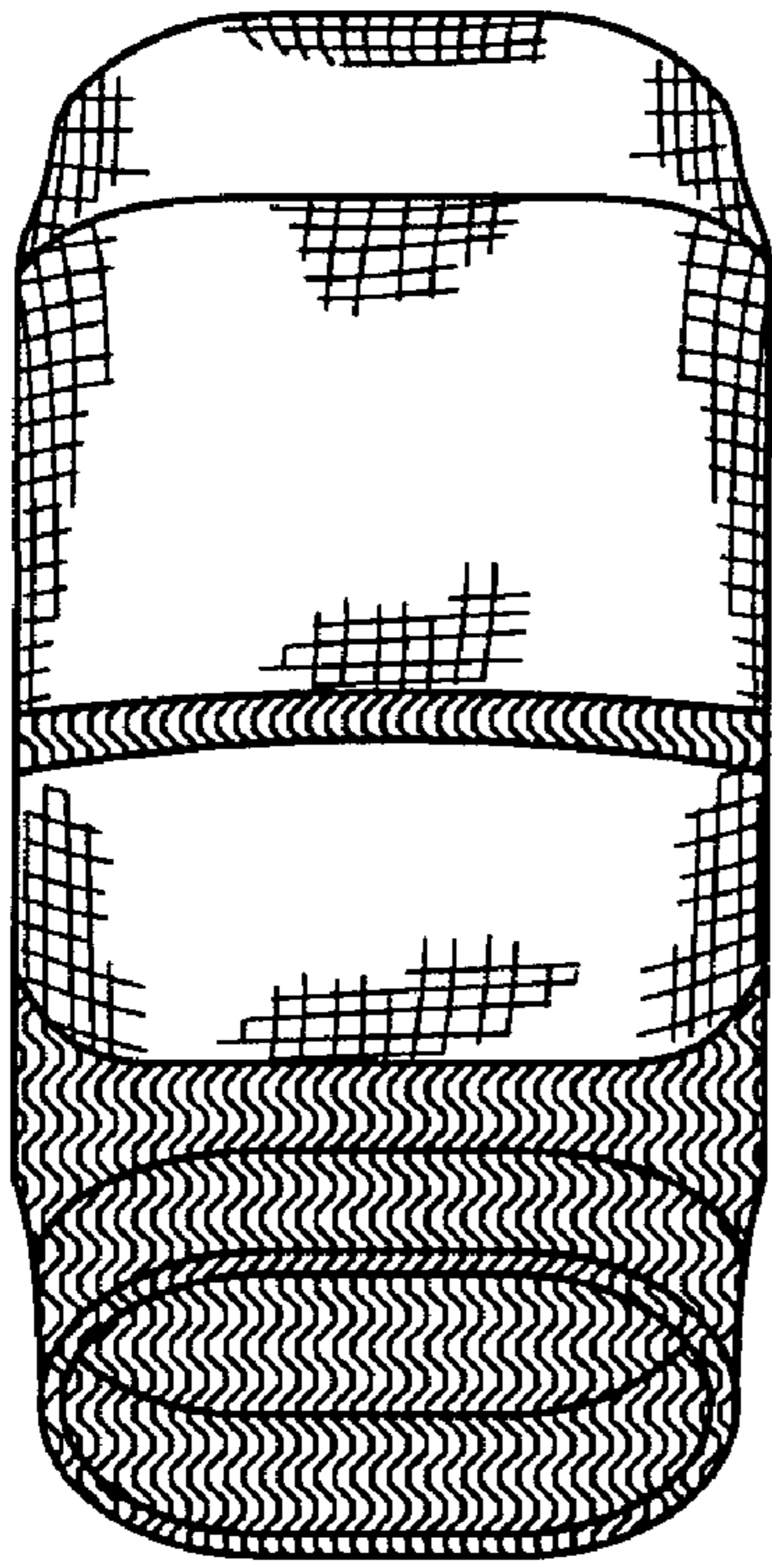


FIG. 6

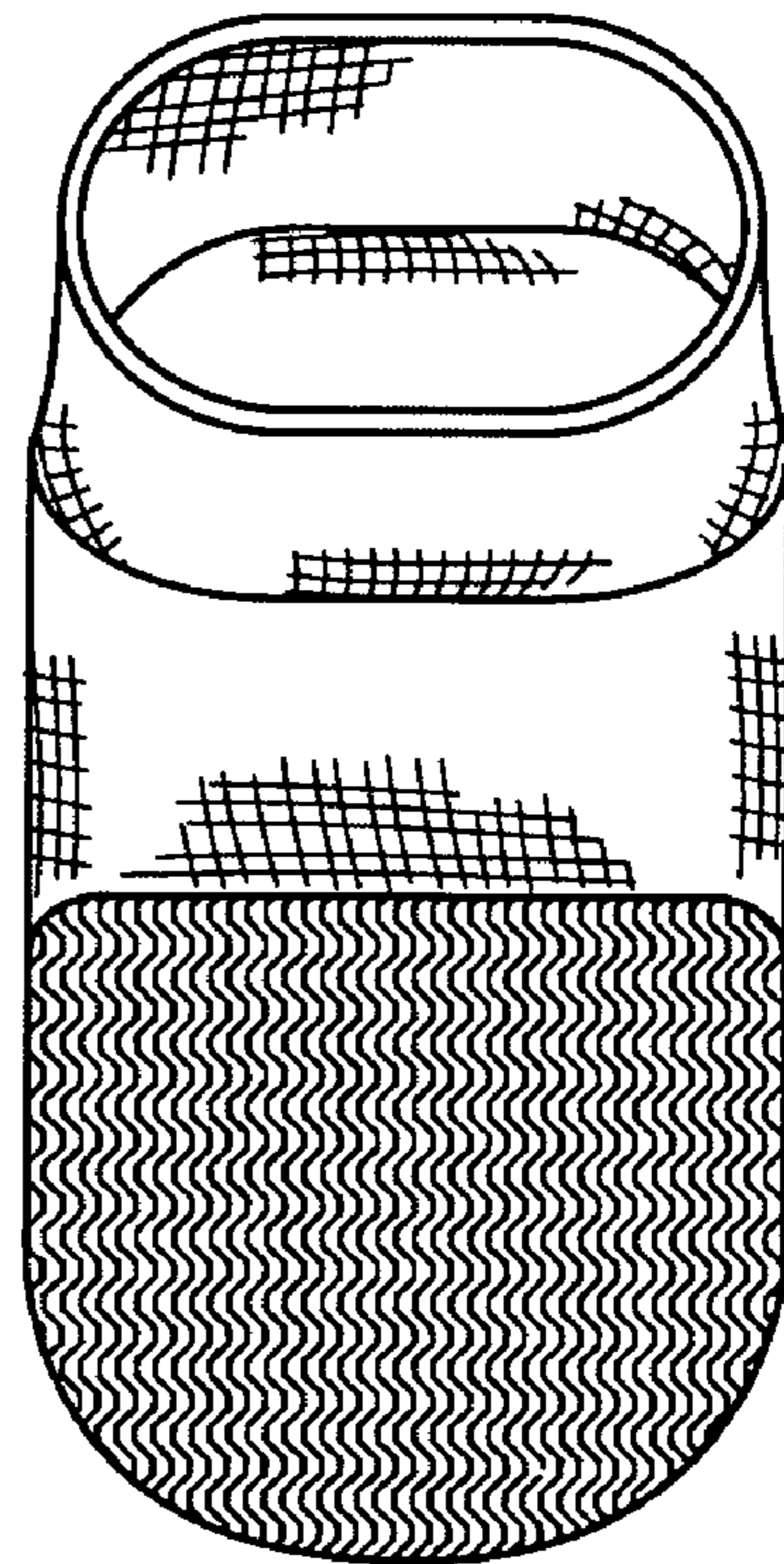


FIG. 7

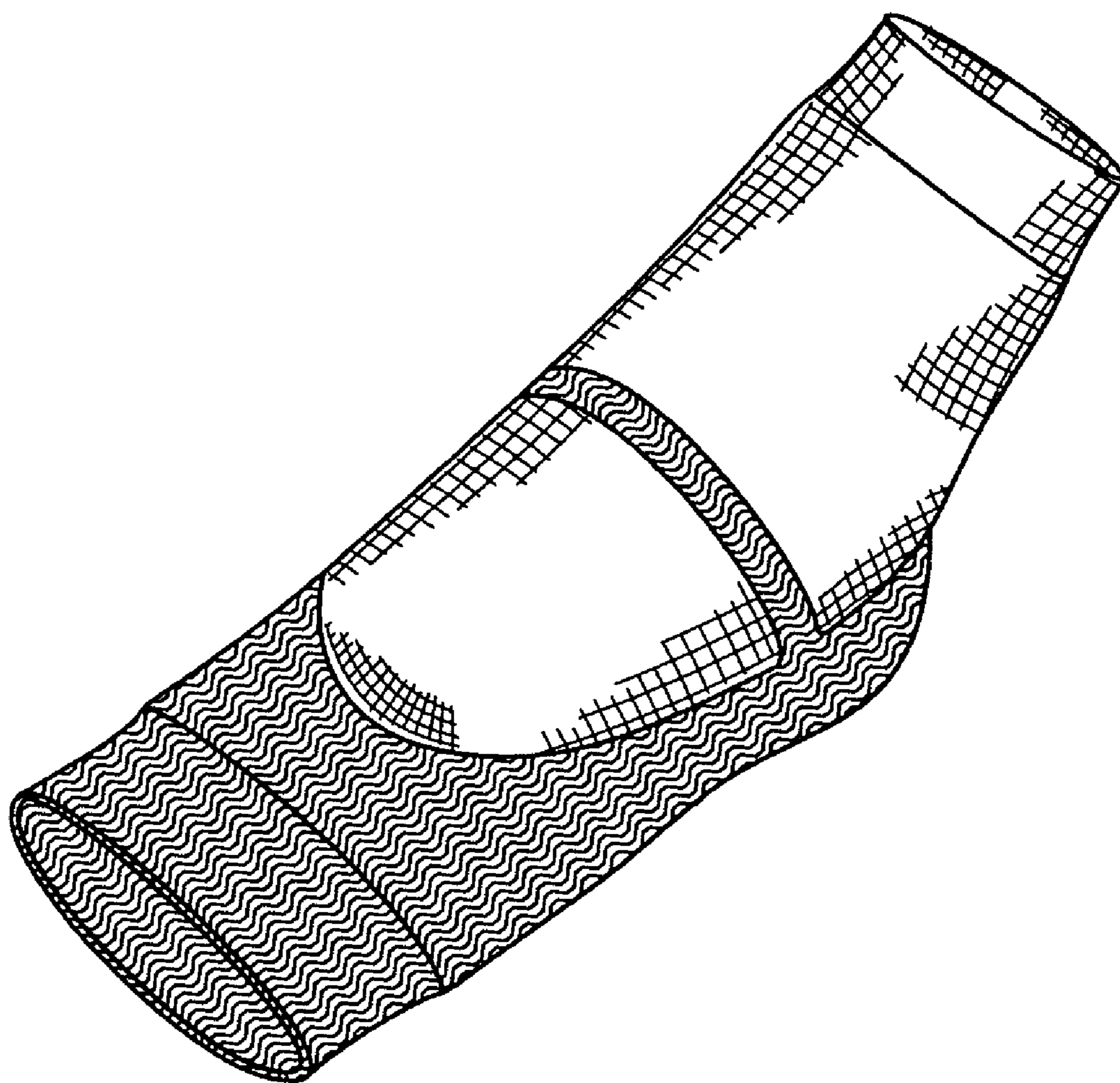


FIG. 8

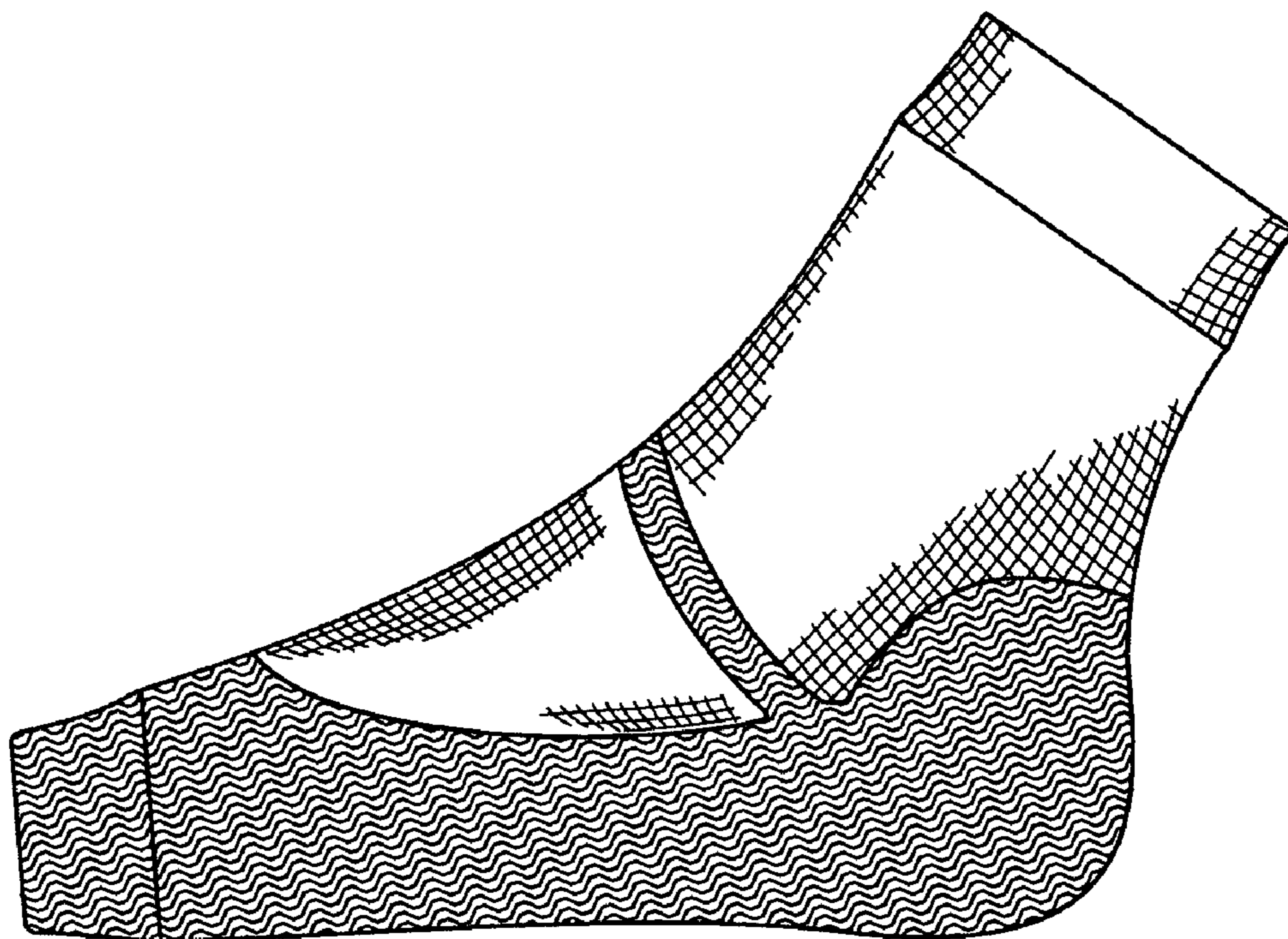


FIG. 9

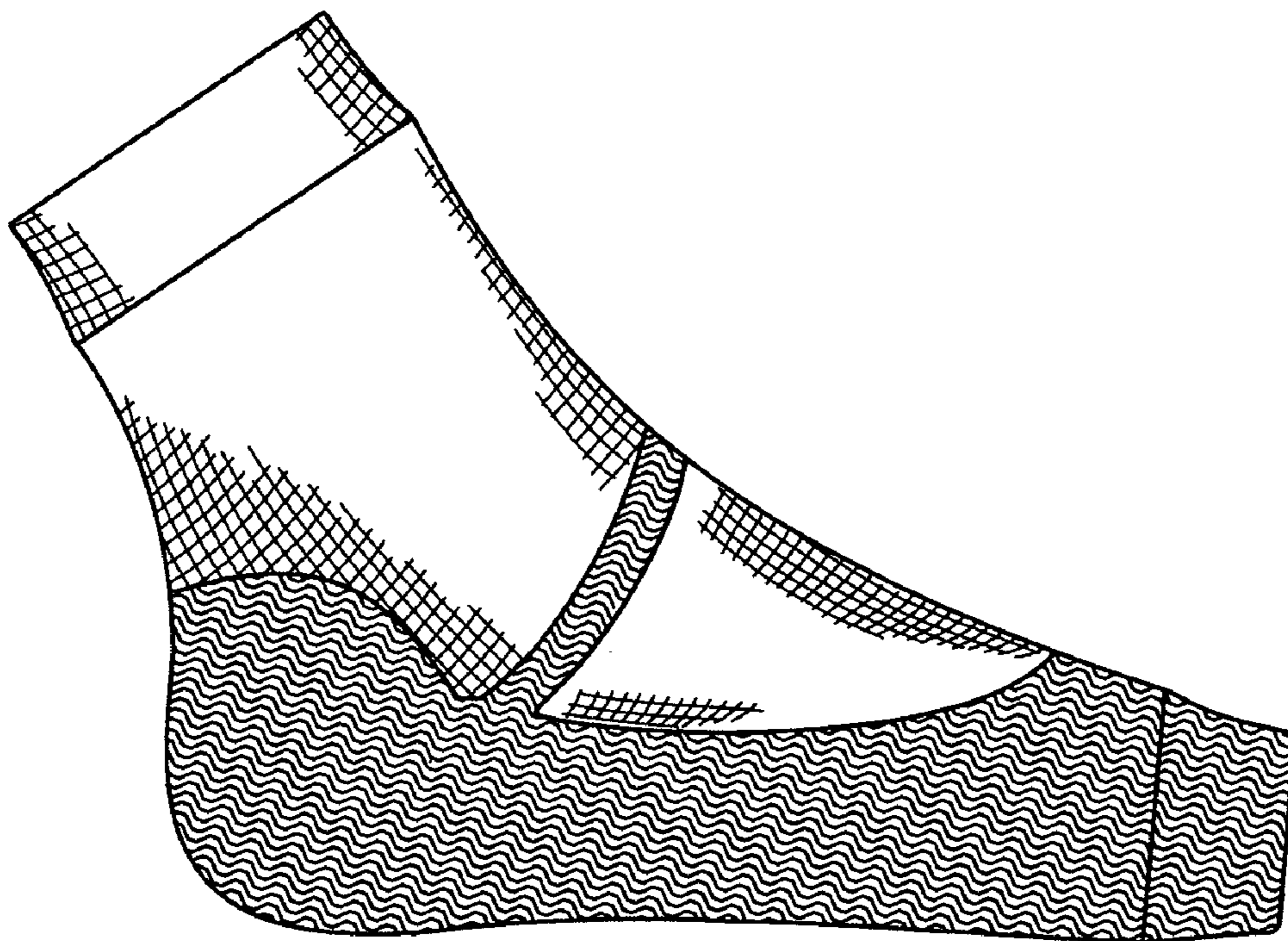


FIG. 10

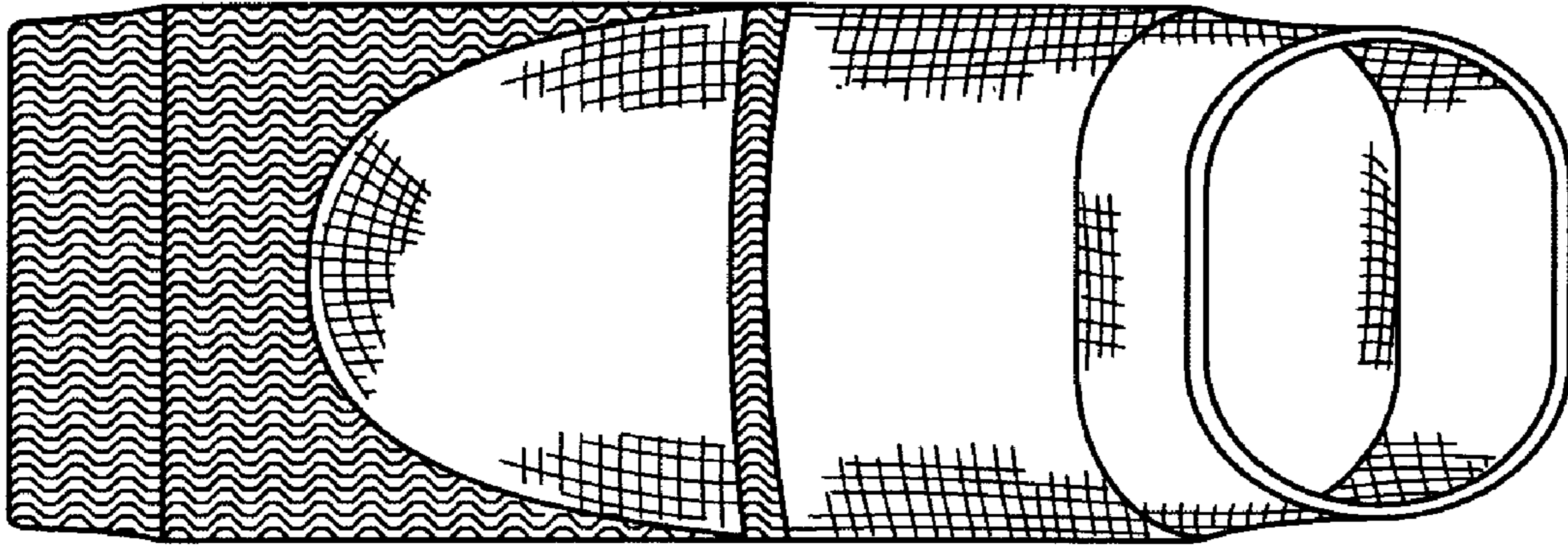


FIG. 11

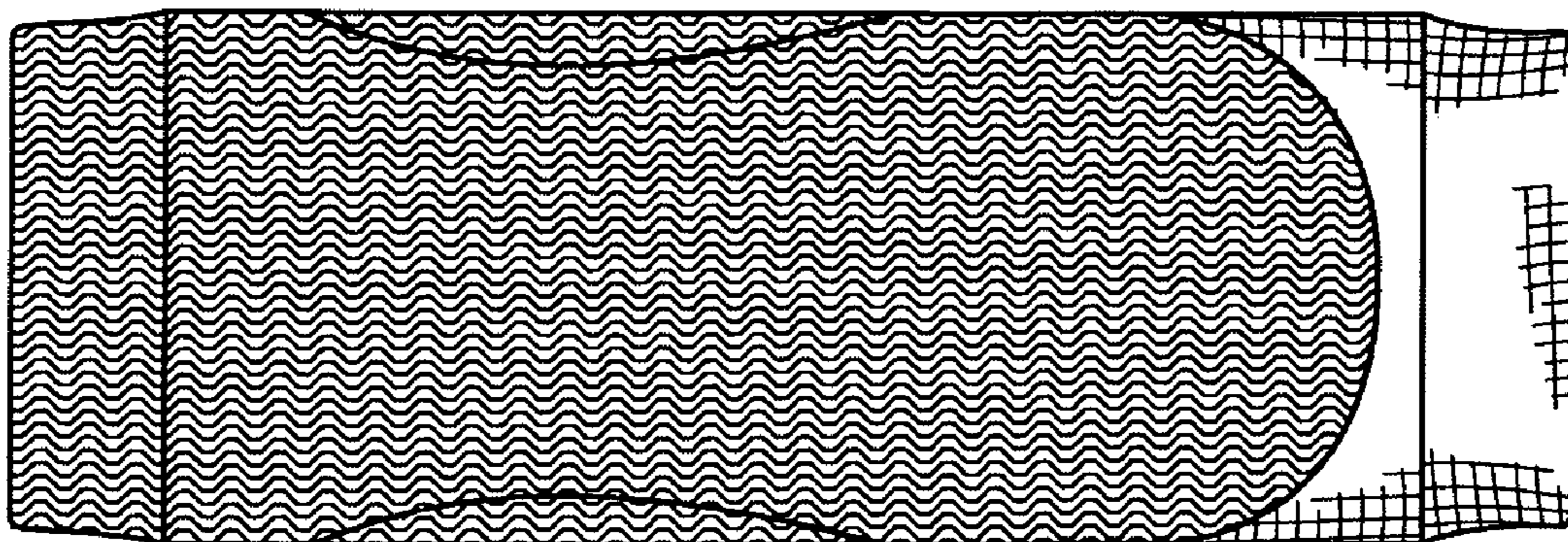


FIG. 12

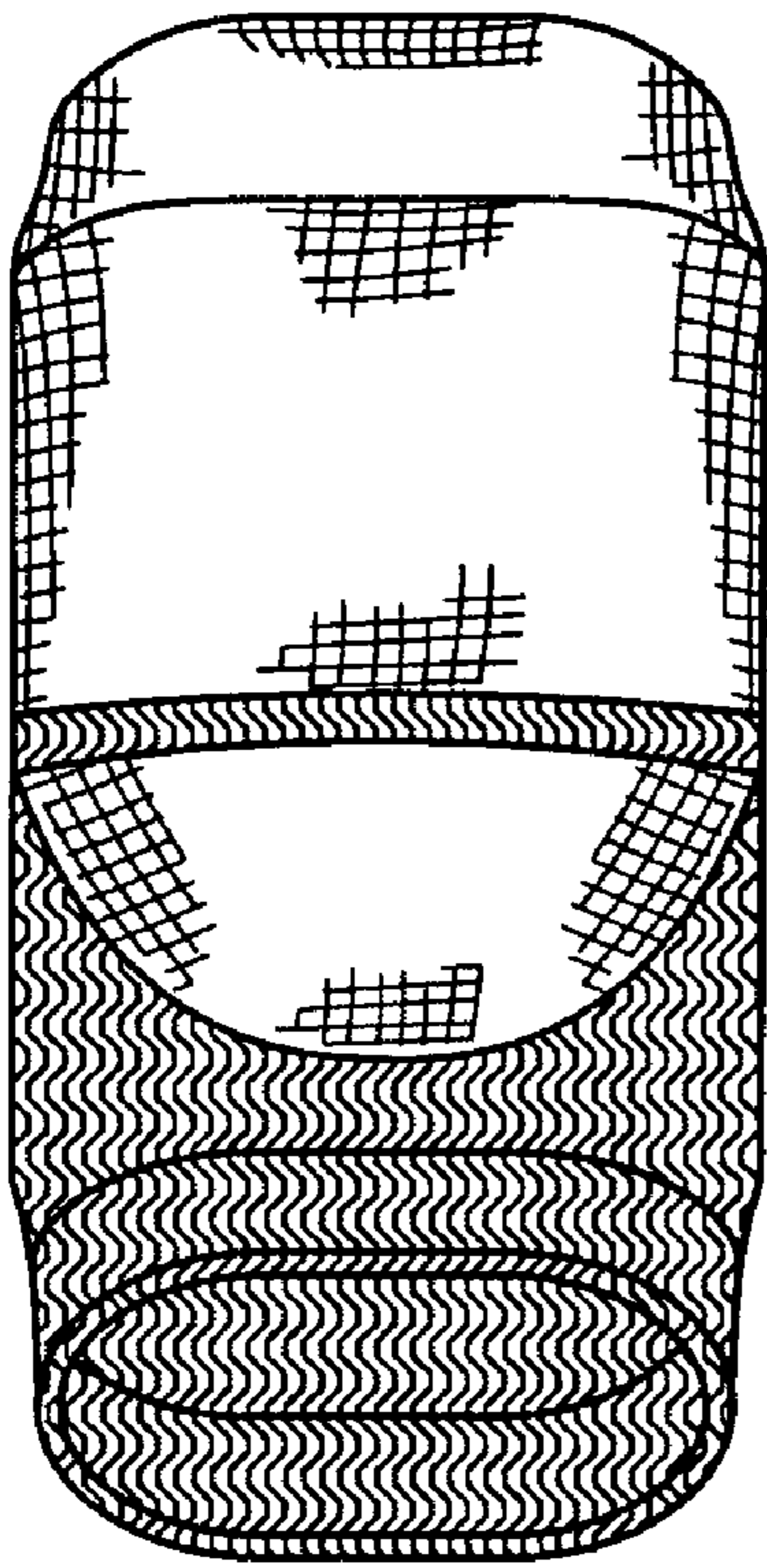


FIG. 13

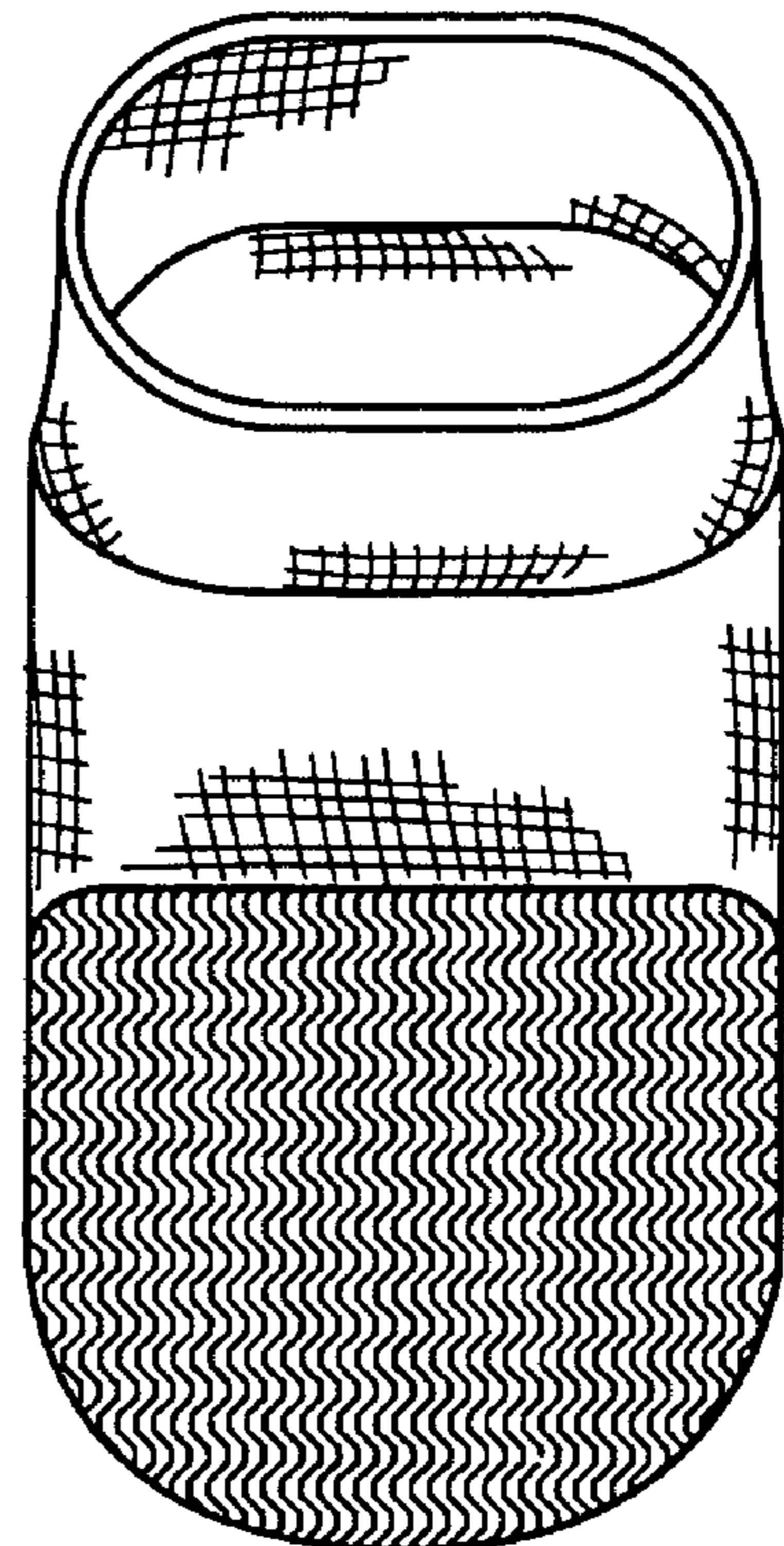


FIG. 14