



US00D595038S

(12) **United States Design Patent**  
**Kirschhoffer et al.**

(10) **Patent No.:** **US D595,038 S**

(45) **Date of Patent:** **\*\* Jun. 30, 2009**

(54) **SHOE INSOLE**

(75) Inventors: **Jon A. Kirschhoffer**, White Bear Lake, MN (US); **Daniel D. Anderson**, Minneapolis, MN (US)

(73) Assignee: **3M Innovative Properties Company**, St. Paul, MN (US)

(\*\*) Term: **14 Years**

(21) Appl. No.: **29/323,308**

(22) Filed: **Aug. 22, 2008**

(51) **LOC (9) Cl.** ..... **02-99**

(52) **U.S. Cl.** ..... **D2/961**

(58) **Field of Classification Search** ..... D2/946,  
D2/961; 36/43, 44

See application file for complete search history.

(56) **References Cited**

**U.S. PATENT DOCUMENTS**

2,139,971 A	12/1938	Pava	
D268,303 S *	3/1983	Gaski	D2/961
D288,383 S *	2/1987	Autry	D2/961
D289,103 S	4/1987	Autry	
D295,690 S	5/1988	Finn	
D302,764 S	8/1989	Peoples et al.	
D350,432 S	9/1994	Saez	
5,669,161 A *	9/1997	Huang	36/43
D388,948 S	1/1998	Sessa	

D396,948 S *	8/1998	Moore et al.	D2/961
D423,766 S	5/2000	Genga	
D461,300 S	8/2002	Hall	
D518,945 S *	4/2006	Vasyli	D2/961
D551,437 S	9/2007	Hung	
D551,835 S *	10/2007	Hung	D2/961

\* cited by examiner

*Primary Examiner*—Dominic Simone

(74) *Attorney, Agent, or Firm*—Karl G. Hanson

(57) **CLAIM**

The ornamental design for a shoe insole, as shown and described.

**DESCRIPTION**

FIG. 1 is a bottom perspective view, showing the new design for a shoe insole;

FIG. 2 is a bottom view thereof;

FIG. 3 is a top view thereof;

FIG. 4 is a left side view thereof;

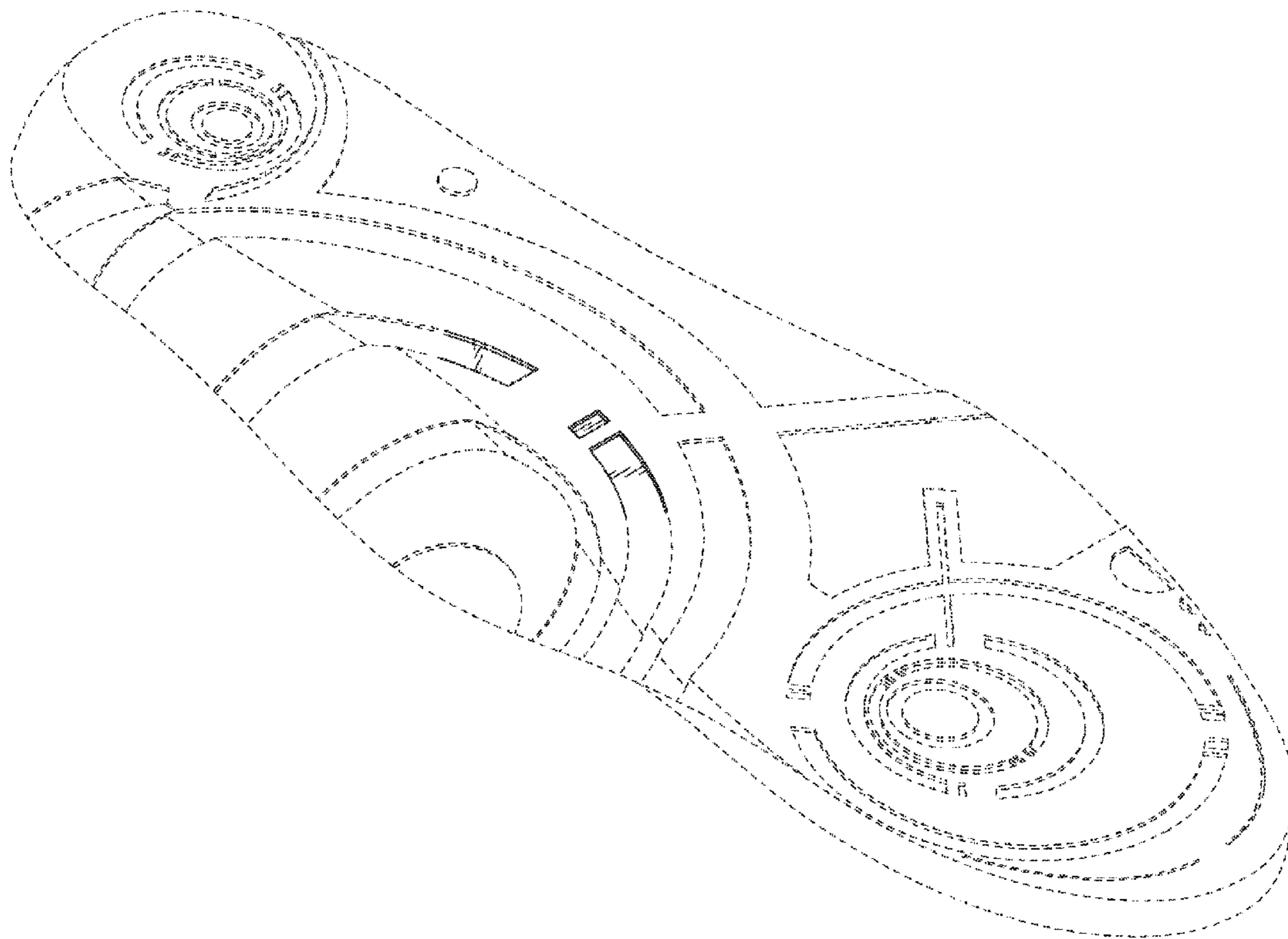
FIG. 5 is a right side view thereof;

FIG. 6 is a front view thereof; and,

FIG. 7 is a rear view thereof.

The broken line showing forms no part of the claimed design, and the shading is provided to illustrate contour only and is not an indication of texture, gloss, etc.

**1 Claim, 4 Drawing Sheets**



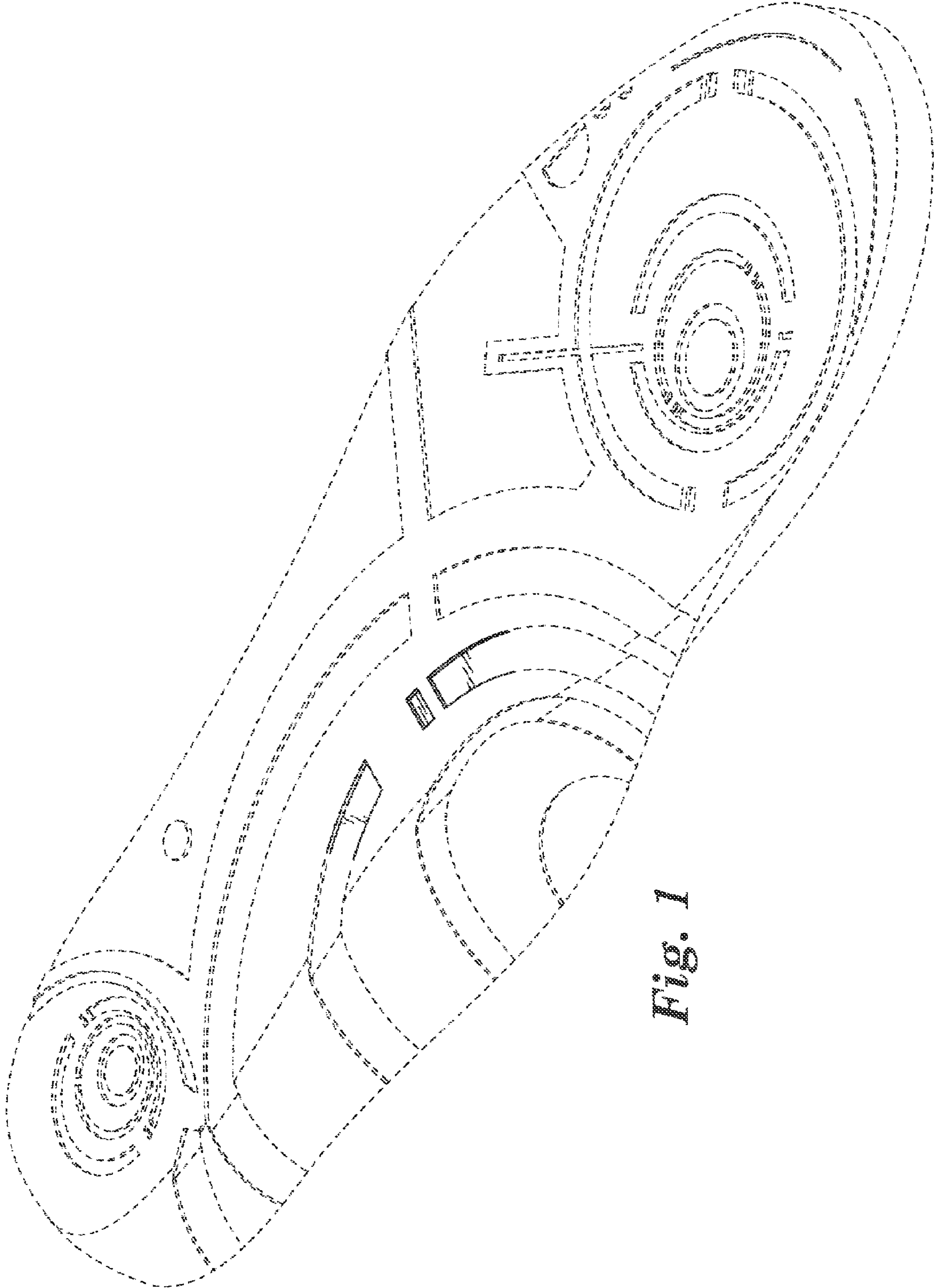
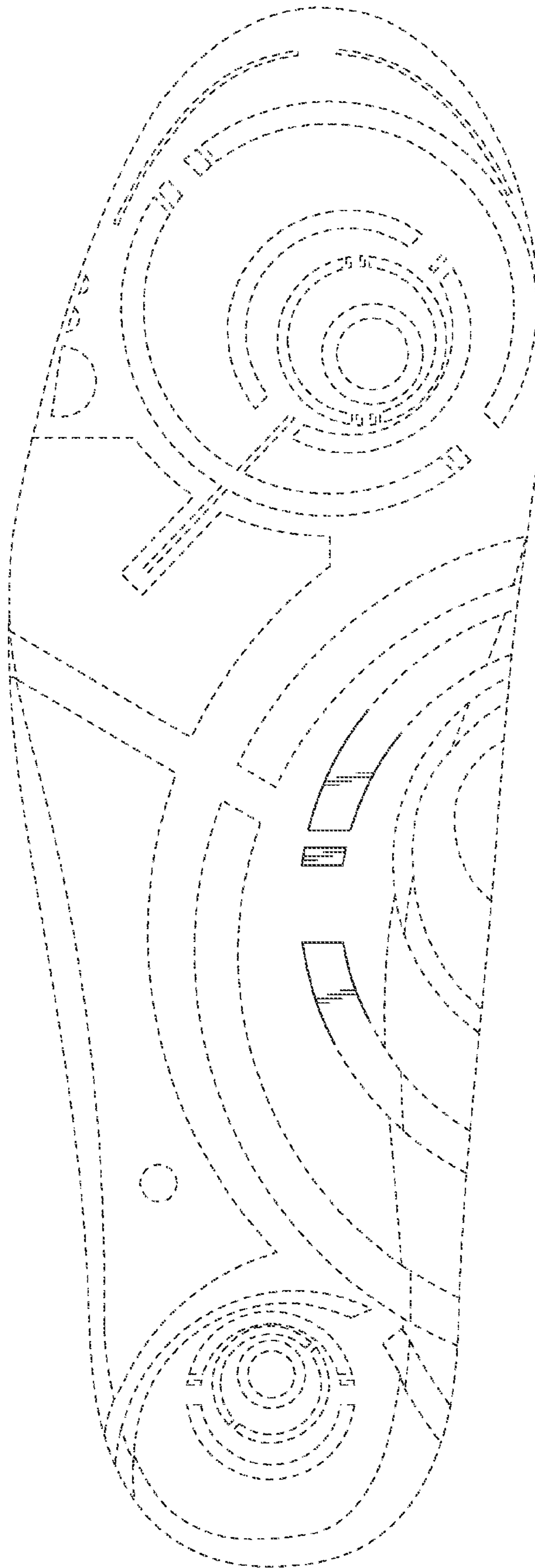
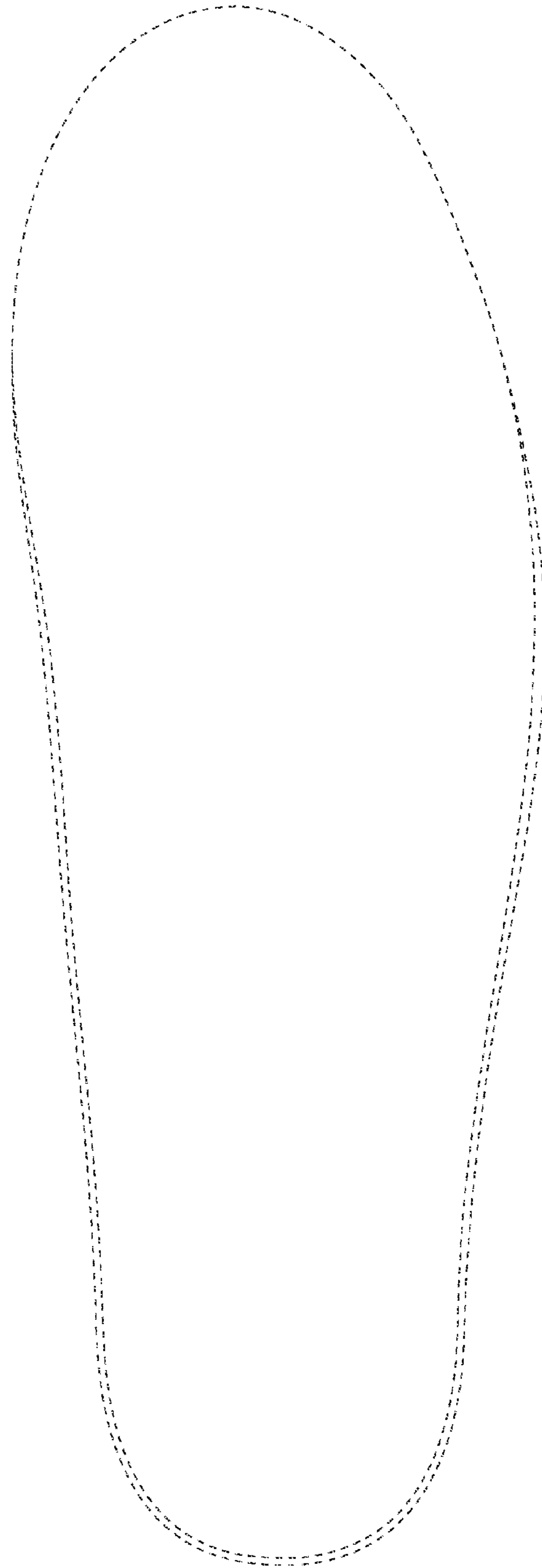


Fig. 1



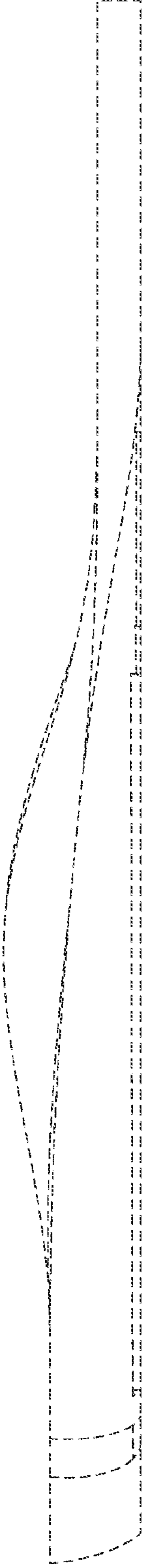
*Fig. 2*



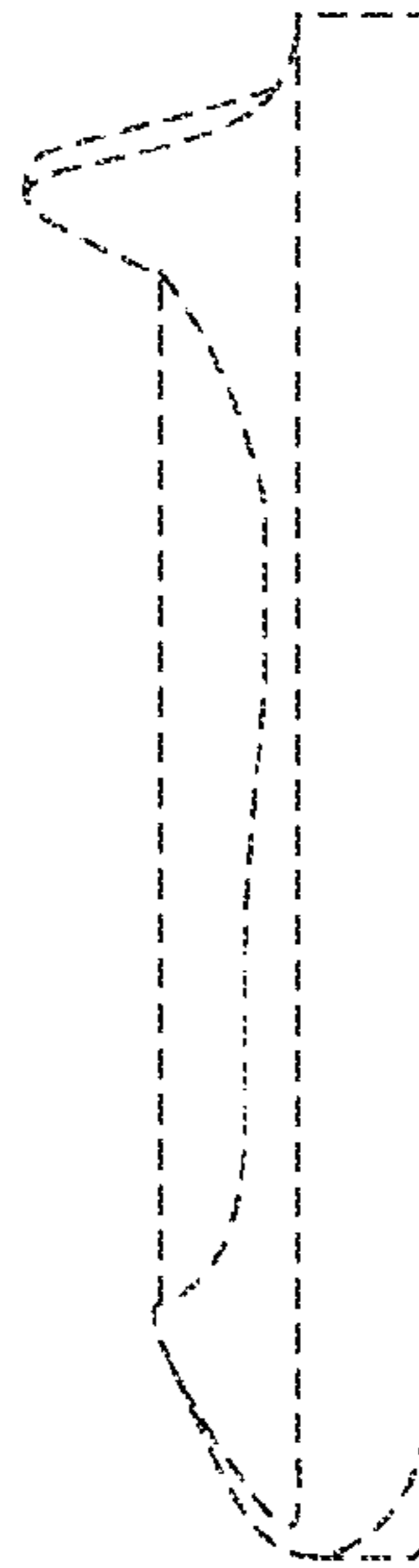
*Fig. 3*



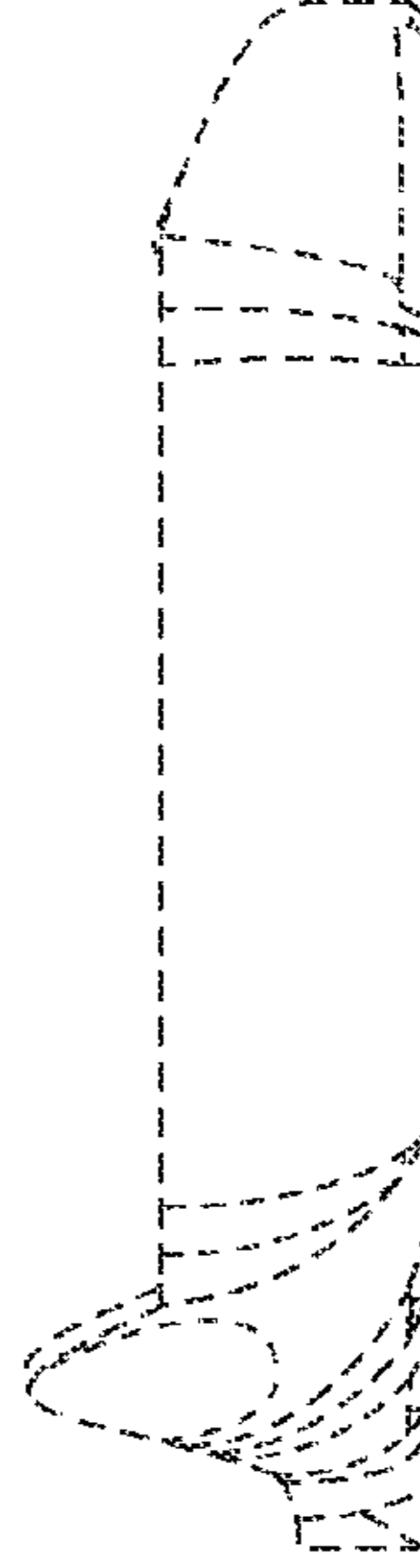
*Fig. 4*



*Fig. 5*



*Fig. 6*



*Fig. 7*