

US00D595034S

(12) **United States Design Patent**  
**Van Hulle**

(10) **Patent No.:** **US D595,034 S**  
(45) **Date of Patent:** **\*\* Jun. 30, 2009**

(54) **SHOE**

(75) Inventor: **Jessica R. Van Hulle**, Los Angeles, CA  
(US)

(73) Assignee: **Leg Avenue, Inc.**, City of Industry, CA  
(US)

(\*\*) Term: **14 Years**

(21) Appl. No.: **29/319,467**

(22) Filed: **Jun. 10, 2008**

(51) **LOC (9) Cl.** ..... **02-04**

(52) **U.S. Cl.** ..... **D2/925**

(58) **Field of Classification Search** ..... D2/896,  
D2/897, 925, 940, 941, 946, 950, 952, 965,  
D2/966, 971, 976; 36/45, 83, 3 A, 34 R,  
36/77 R, 105, 8.3

See application file for complete search history.

(56) **References Cited**

**U.S. PATENT DOCUMENTS**

- D90,628 S \* 9/1933 Miller ..... D2/941
- D92,300 S \* 5/1934 Heil ..... D2/929
- D95,085 S \* 4/1935 Siegler ..... D2/941
- D98,201 S \* 1/1936 Cohen ..... D2/929
- D99,053 S \* 3/1936 Sholtz ..... D2/929

- D100,866 S \* 8/1936 Kalmon ..... D2/929
- D102,235 S \* 12/1936 Samuels ..... D2/929
- D112,058 S \* 11/1938 Delman ..... D2/941
- D121,175 S \* 6/1940 Weyand ..... D2/929

**OTHER PUBLICATIONS**

Picture of Japanese Shoes (other information unknown).

\* cited by examiner

*Primary Examiner*—Stella M Reid

*Assistant Examiner*—Rashida C McCoy

(74) *Attorney, Agent, or Firm*—Trojan Law Offices

(57) **CLAIM**

The ornamental design for a shoe, as shown and described.

**DESCRIPTION**

FIG. 1 is a perspective view of a shoe, showing my new design;

FIG. 2 is a right side view of the shoe shown in FIG. 1;

FIG. 3 is a left side view of the shoe shown in FIG. 1;

FIG. 4 is a front view of the shoe shown in FIG. 1;

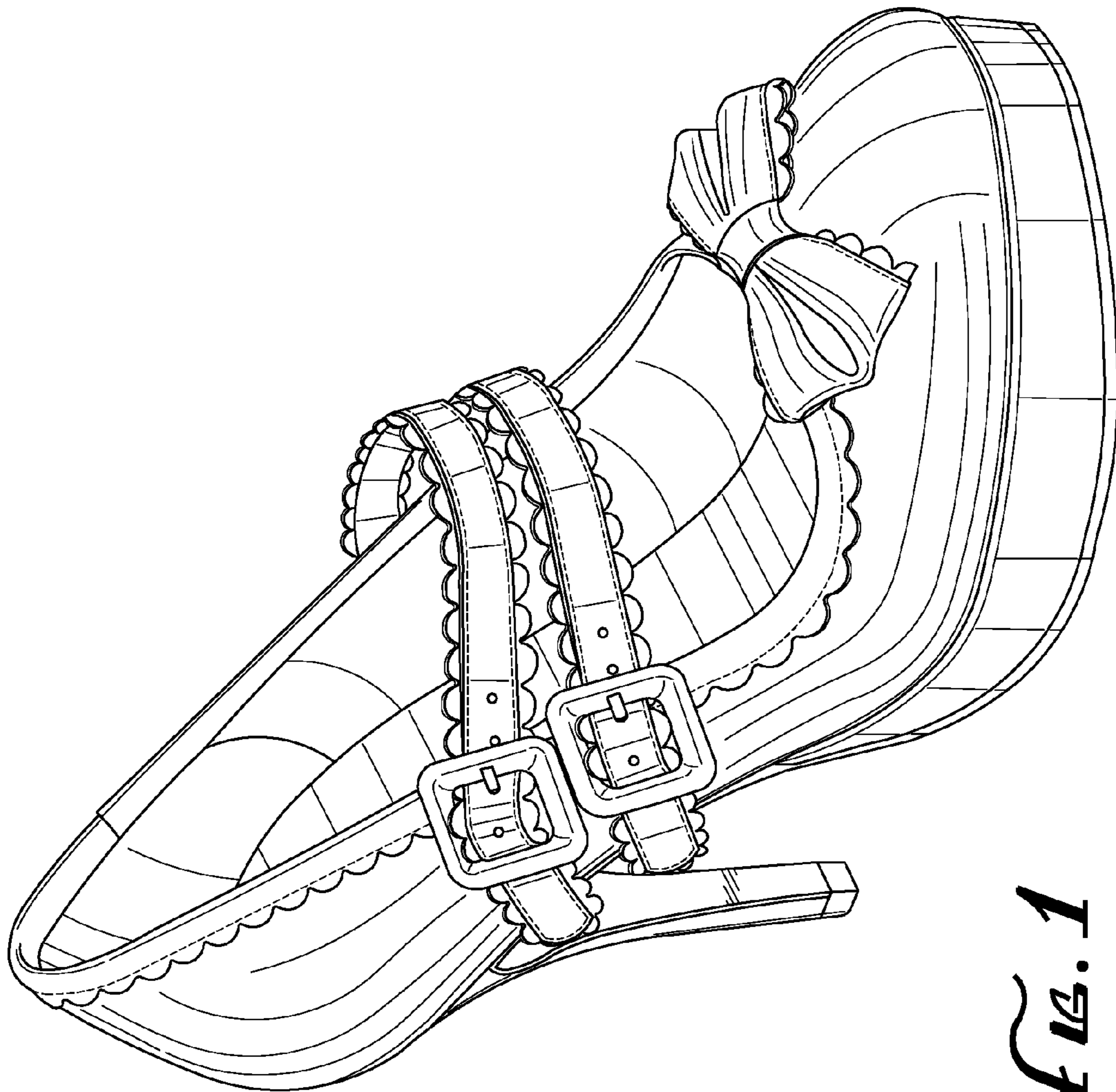
FIG. 5 is a rear view of the shoe shown in FIG. 1;

FIG. 6 is a top view of the shoe shown in FIG. 1; and,

FIG. 7 is a bottom view of the shoe shown in FIG. 1.

**1 Claim, 5 Drawing Sheets**





*FIG. 1*

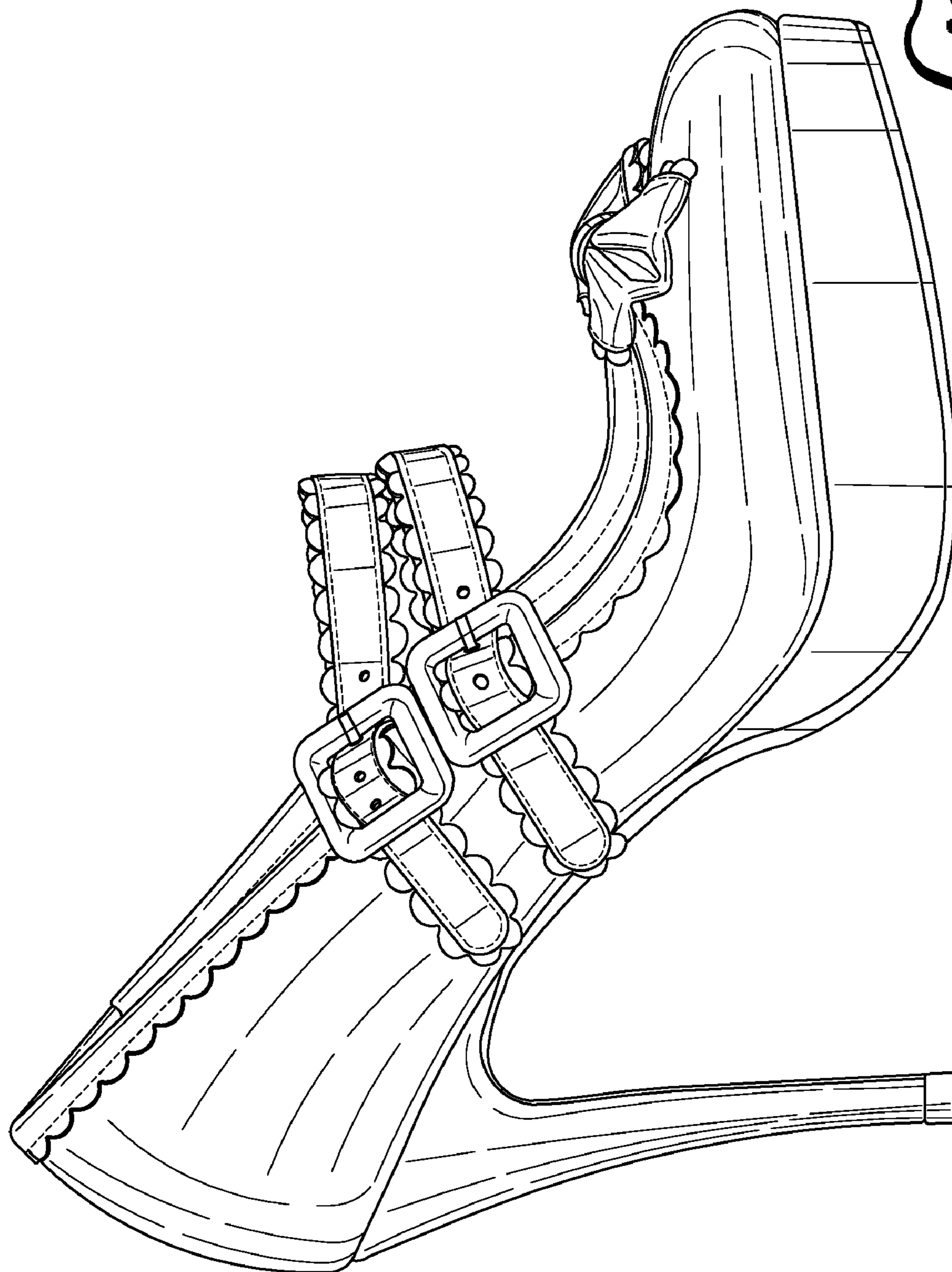


FIG. 2



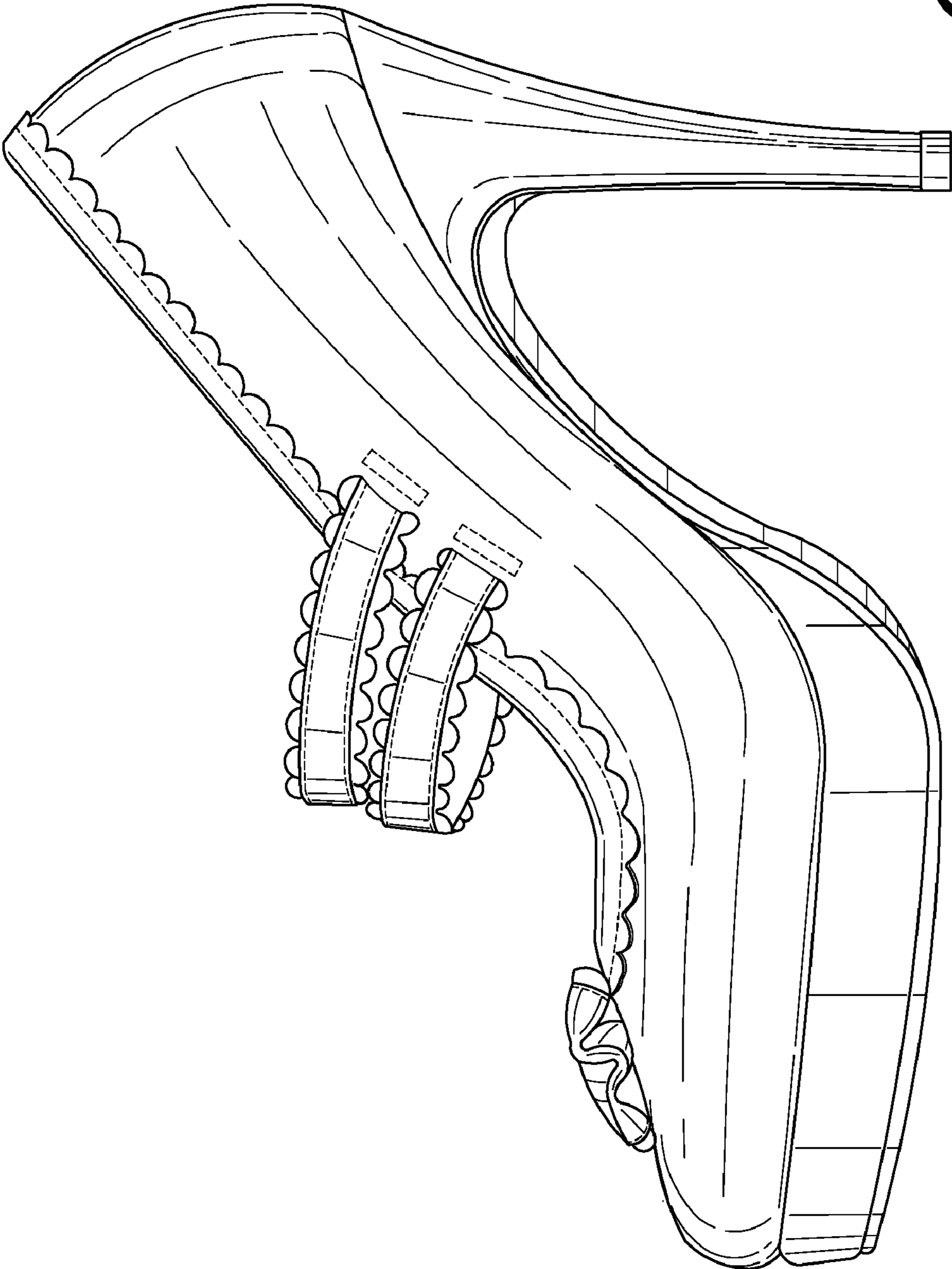


FIG. 3

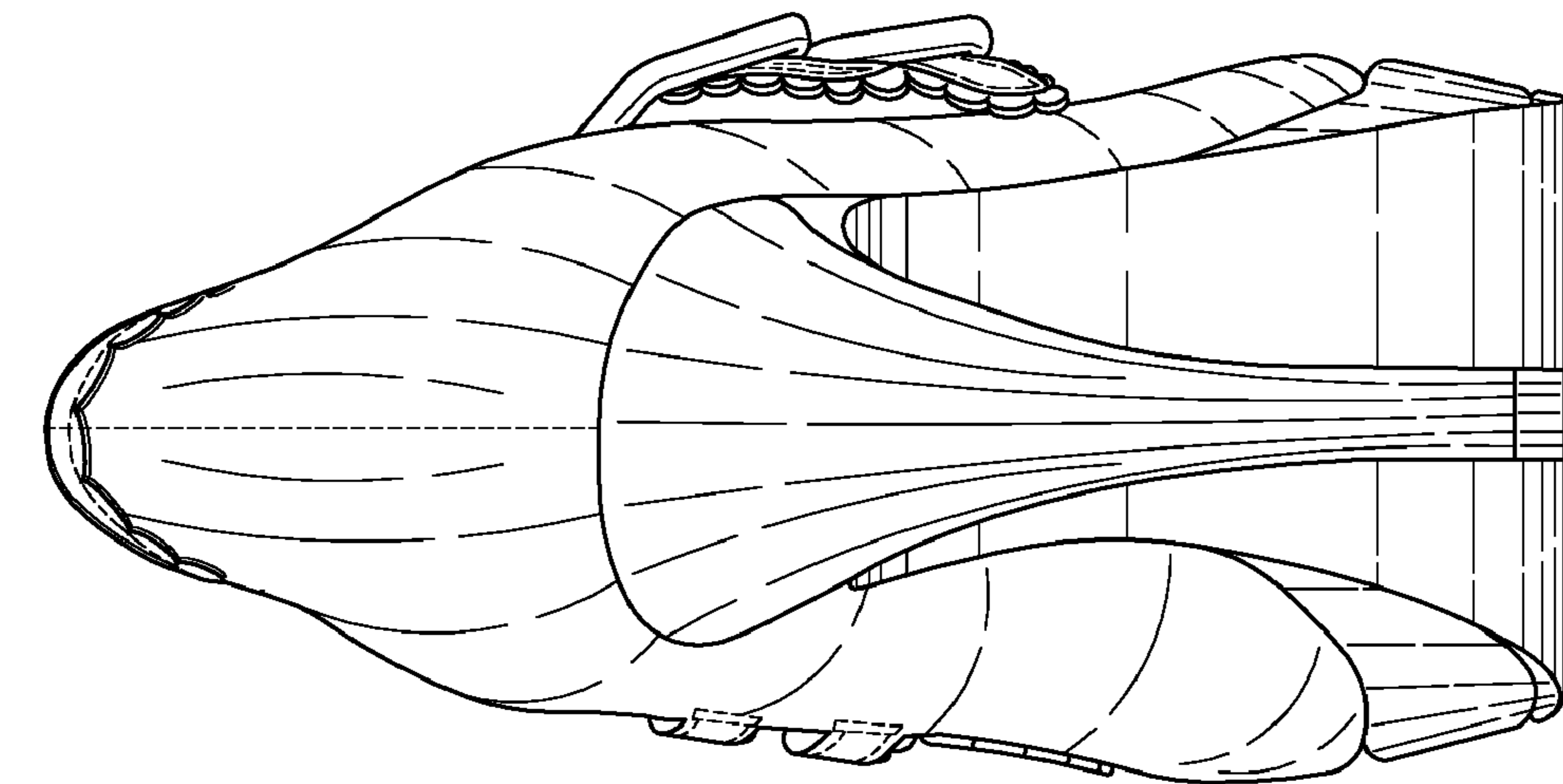


FIG. 5

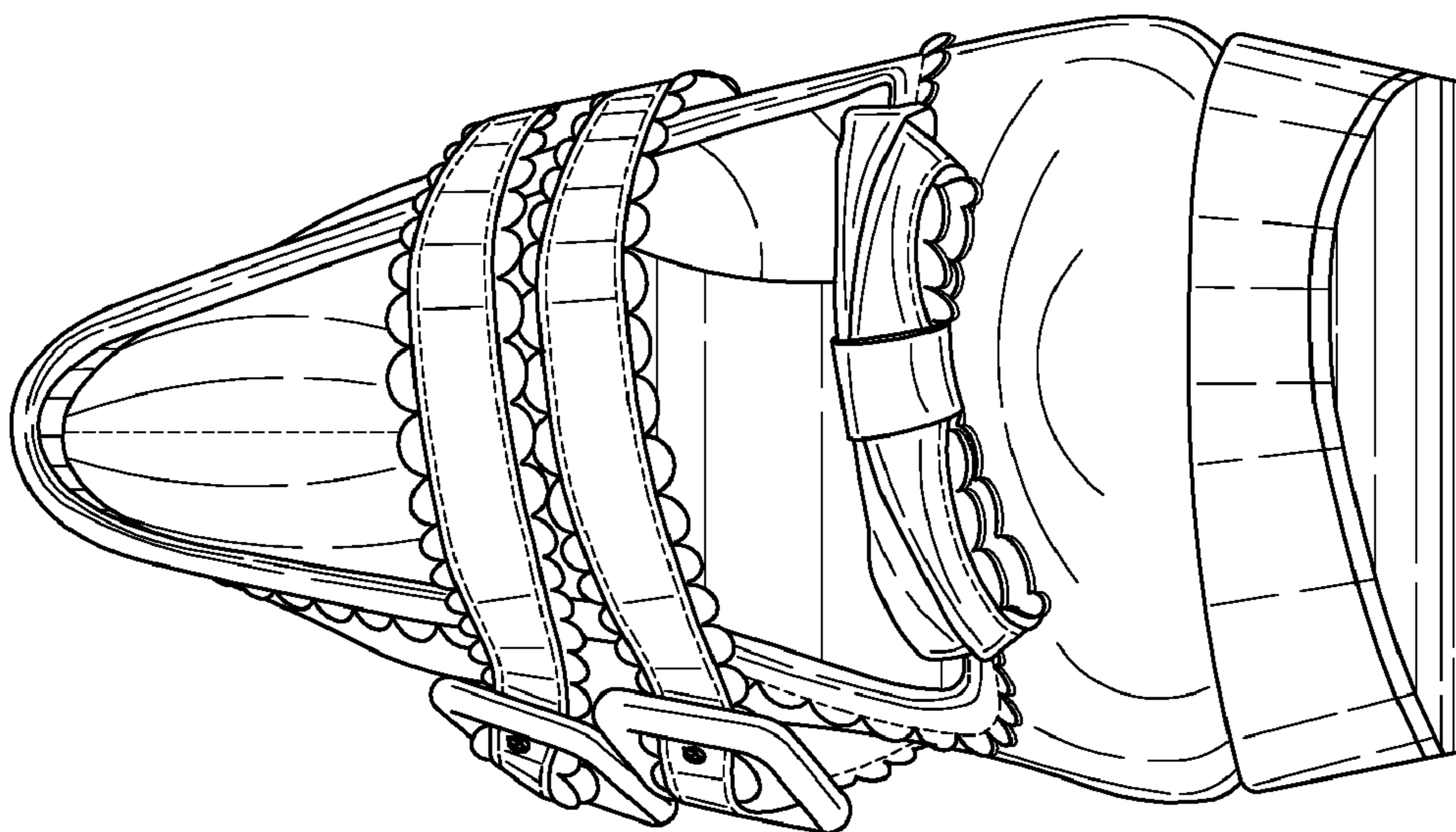


FIG. 4

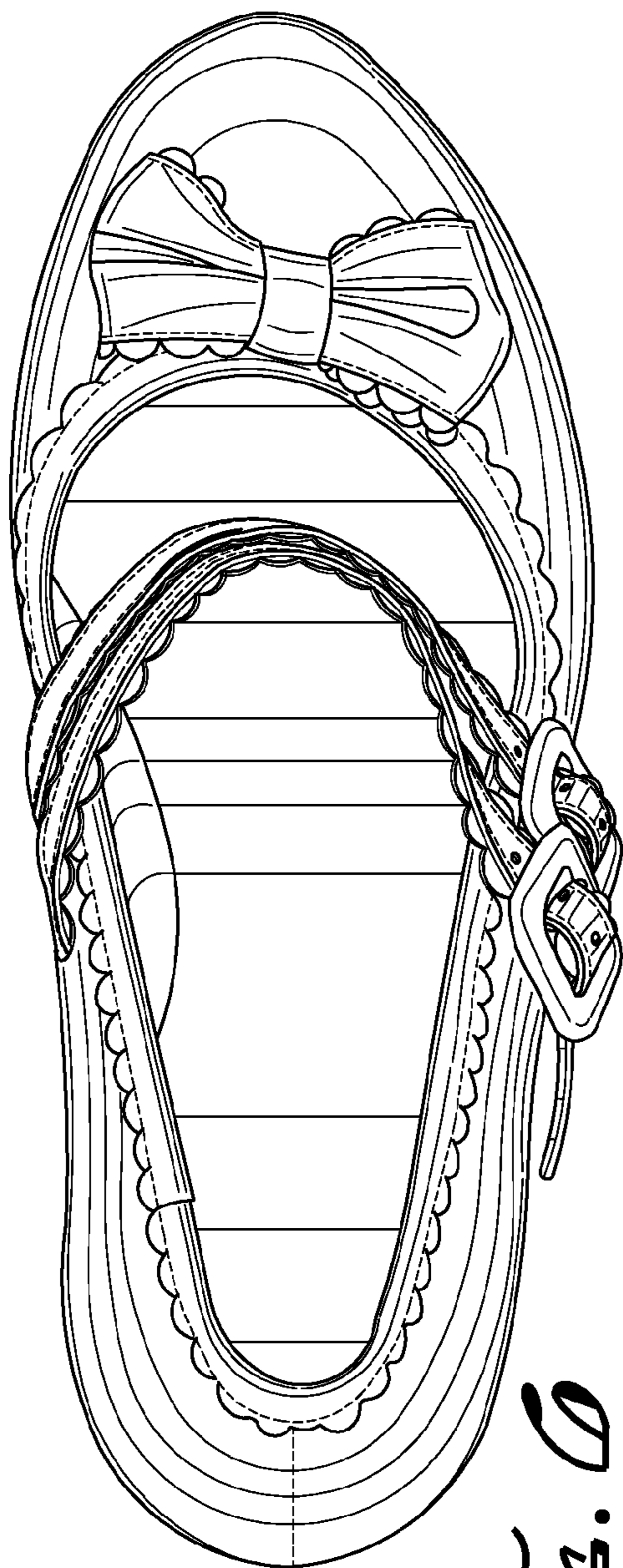


FIG. 6

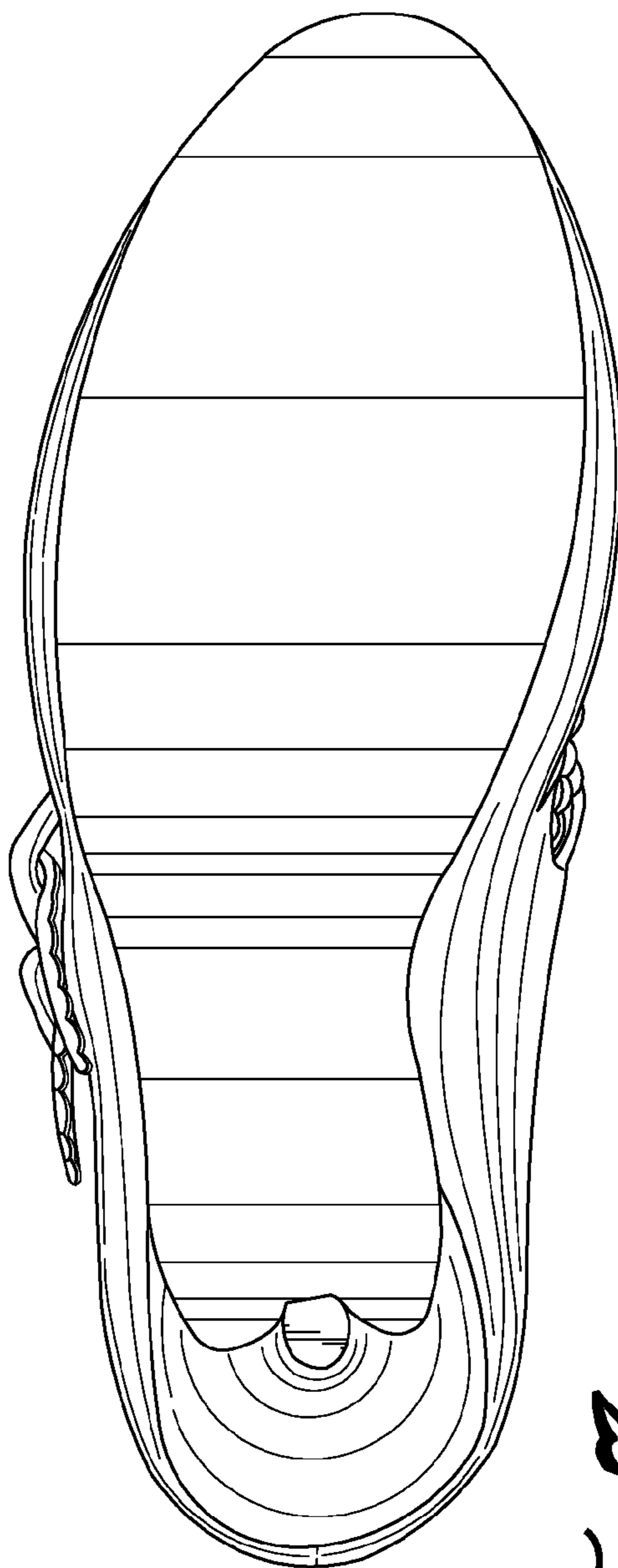


FIG. 7