

US00D595023S

(12) **United States Design Patent**  
**Messler**

(10) **Patent No.:** **US D595,023 S**

(45) **Date of Patent:** **\*\* Jun. 23, 2009**

(54) **PROJECTOR CART**

D578,269 S \* 10/2008 Van Landingham, Jr. .... D34/17

(76) Inventor: **Gregory A. Messler**, 110 Elm St.,  
Streamwood, IL (US) 60107

\* cited by examiner

*Primary Examiner*—Cynthia E Ramirez

(\*\*) Term: **14 Years**

(74) *Attorney, Agent, or Firm*—QuickPatents, Inc.; Kevin Prince

(21) Appl. No.: **29/326,421**

(57) **CLAIM**

(22) Filed: **Oct. 17, 2008**

I claim the ornamental design for a projector cart, as shown and described.

(51) **LOC (9) Cl.** ..... **12-02**

(52) **U.S. Cl.** ..... **D34/23**

(58) **Field of Classification Search** ..... D34/12-27;  
280/47.35, 47.34, 79.11, 79.2, 47.24; D6/426,  
D6/474, 477, 478, 479; 312/194, 195, 196,  
312/223.2, 223.3

**DESCRIPTION**

See application file for complete search history.

FIG. 1 is a perspective view of a projector cart, showing my new design;

FIG. 2 is a right-side elevational view of the invention;

FIG. 3 is a left-side elevational view of the invention;

FIG. 4 is a rear elevational view of the invention;

FIG. 5 is a front elevational view of the invention;

FIG. 6 is a top plan view of the invention; and,

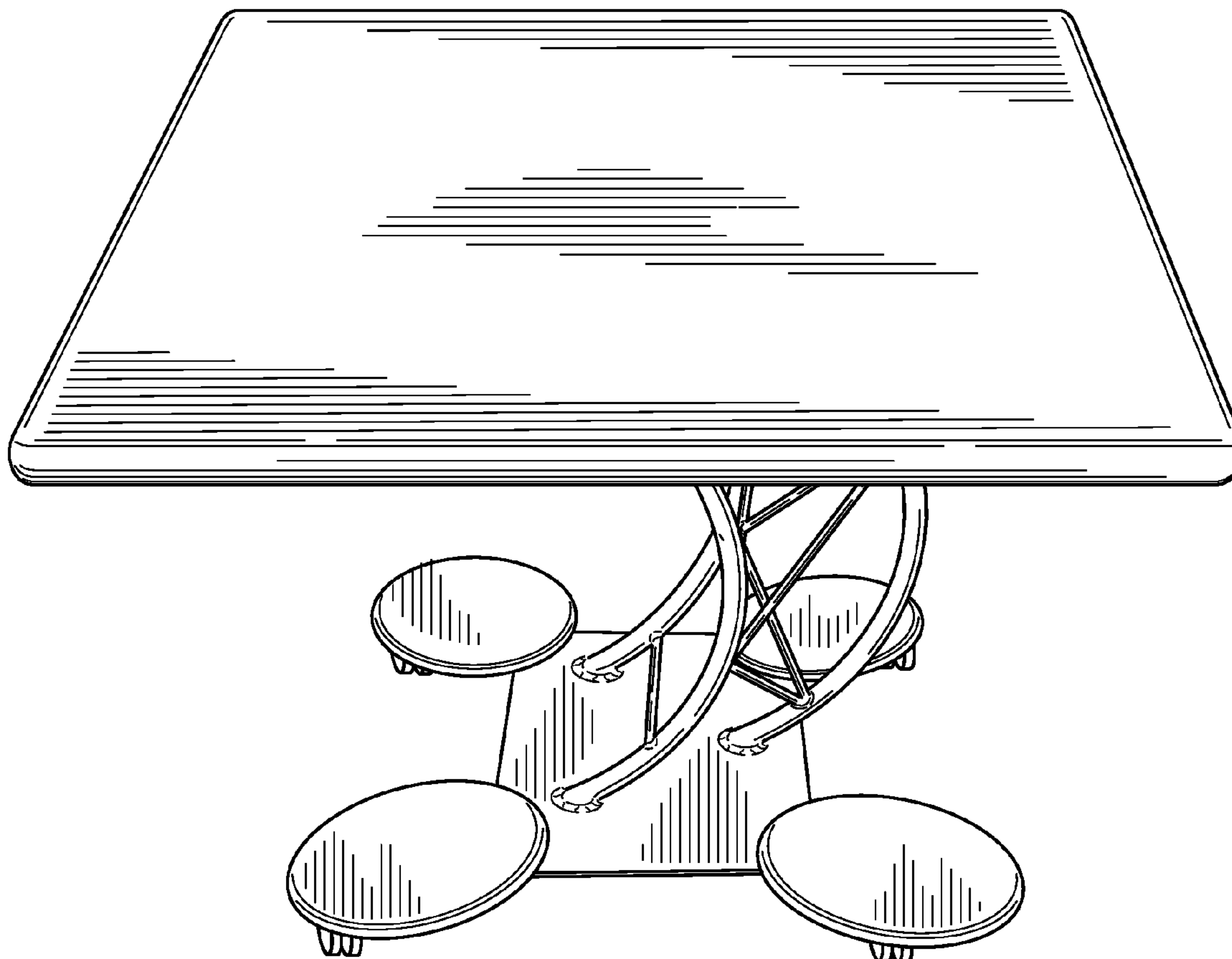
FIG. 7 is a bottom plan view of the invention.

(56) **References Cited**

**U.S. PATENT DOCUMENTS**

D315,261 S *	3/1991	Ng et al. ....	D6/426
D424,772 S *	5/2000	Mullen .....	D34/17
D500,575 S *	1/2005	Lucas .....	D34/12
D571,972 S *	6/2008	Galati et al. ....	D34/21

**1 Claim, 4 Drawing Sheets**



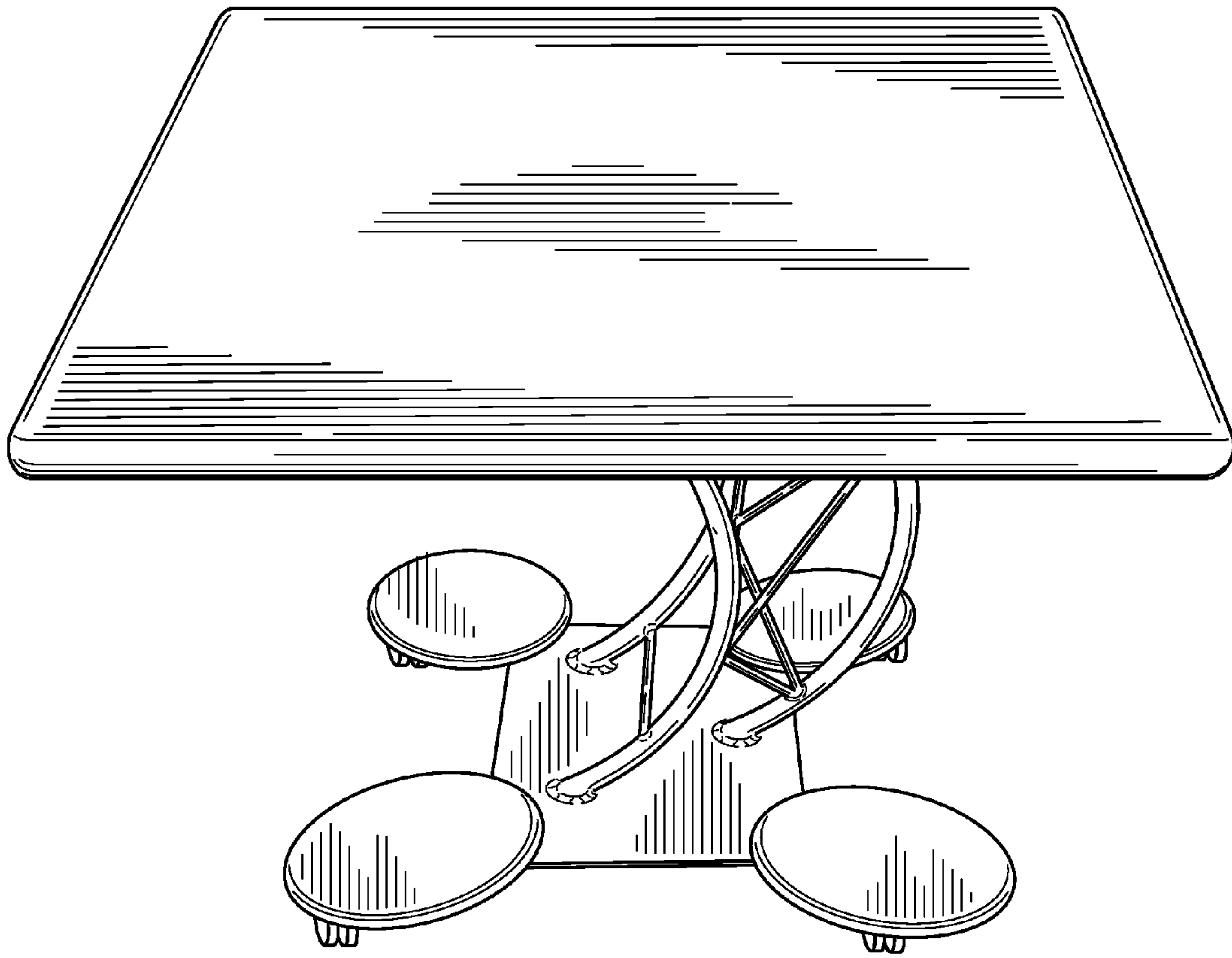


FIG. 1

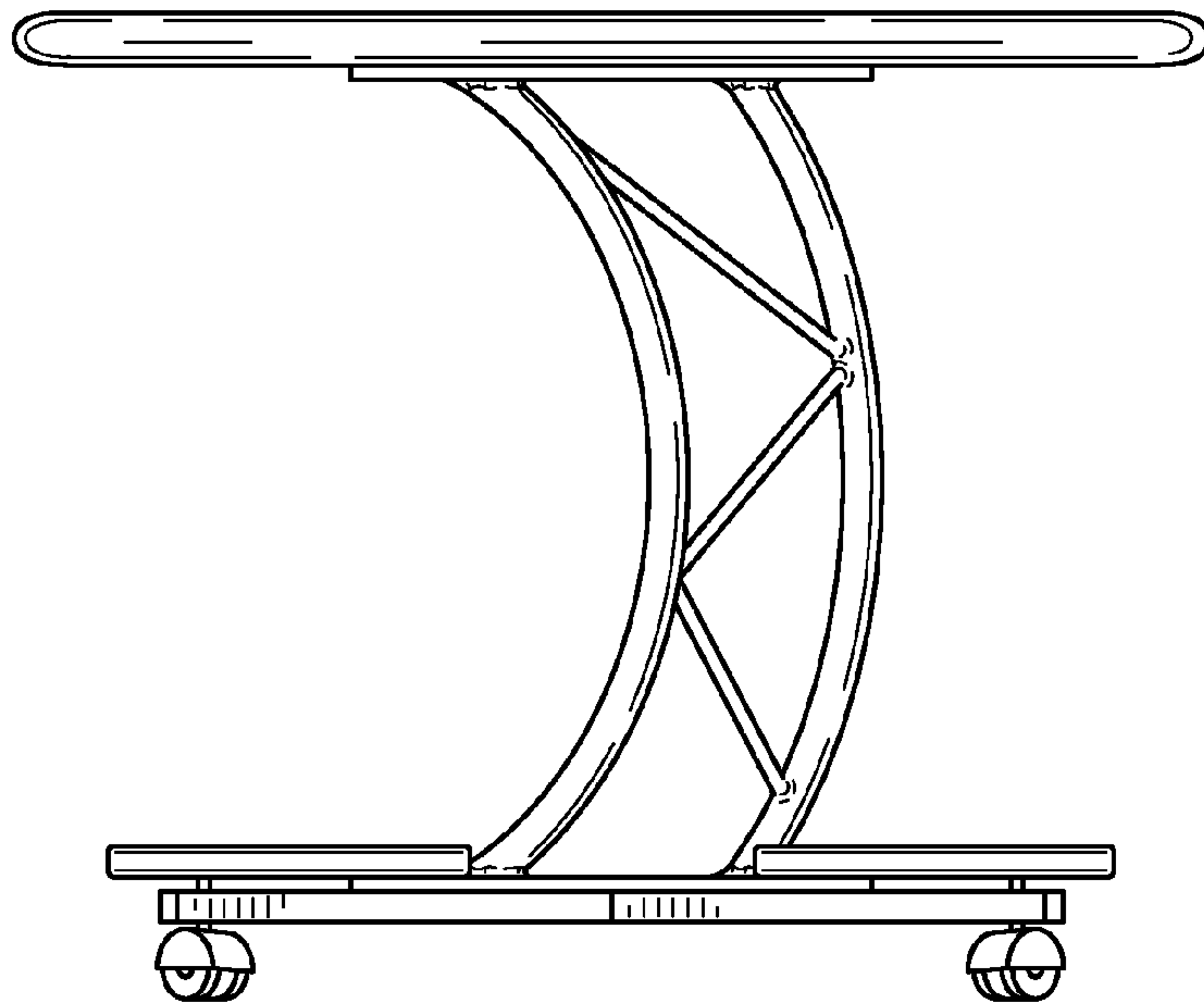


FIG. 2

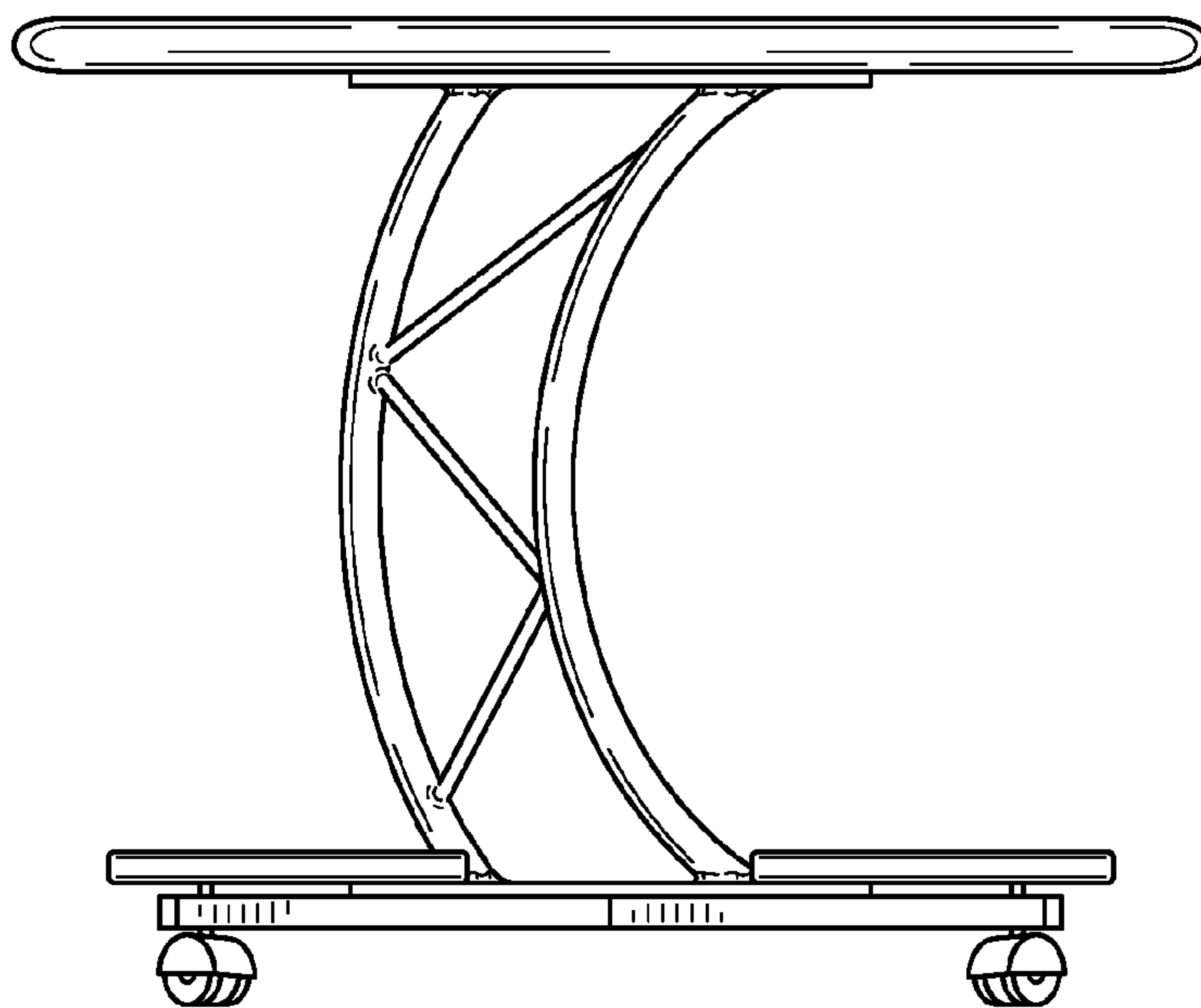


FIG. 3

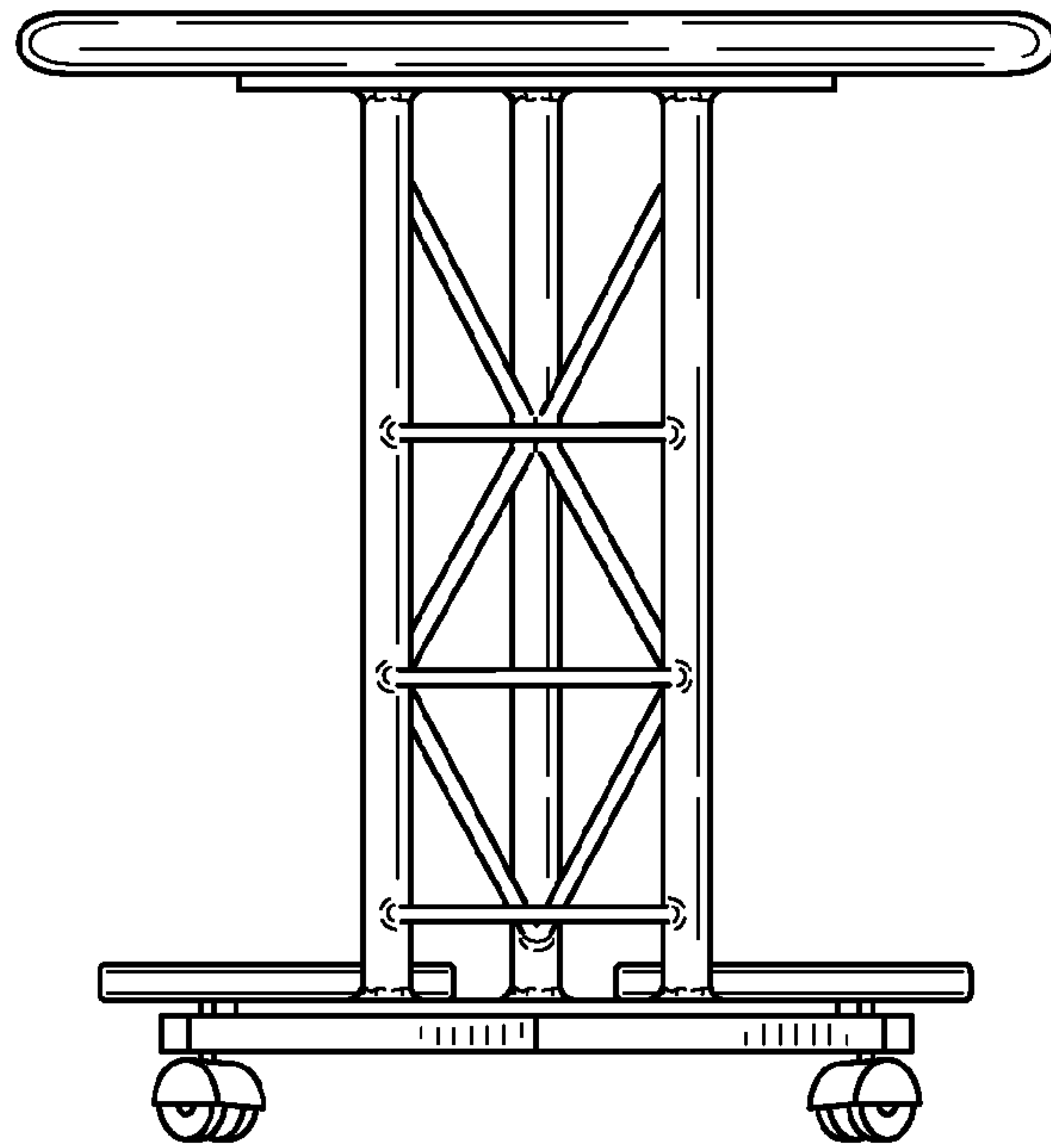


FIG. 4

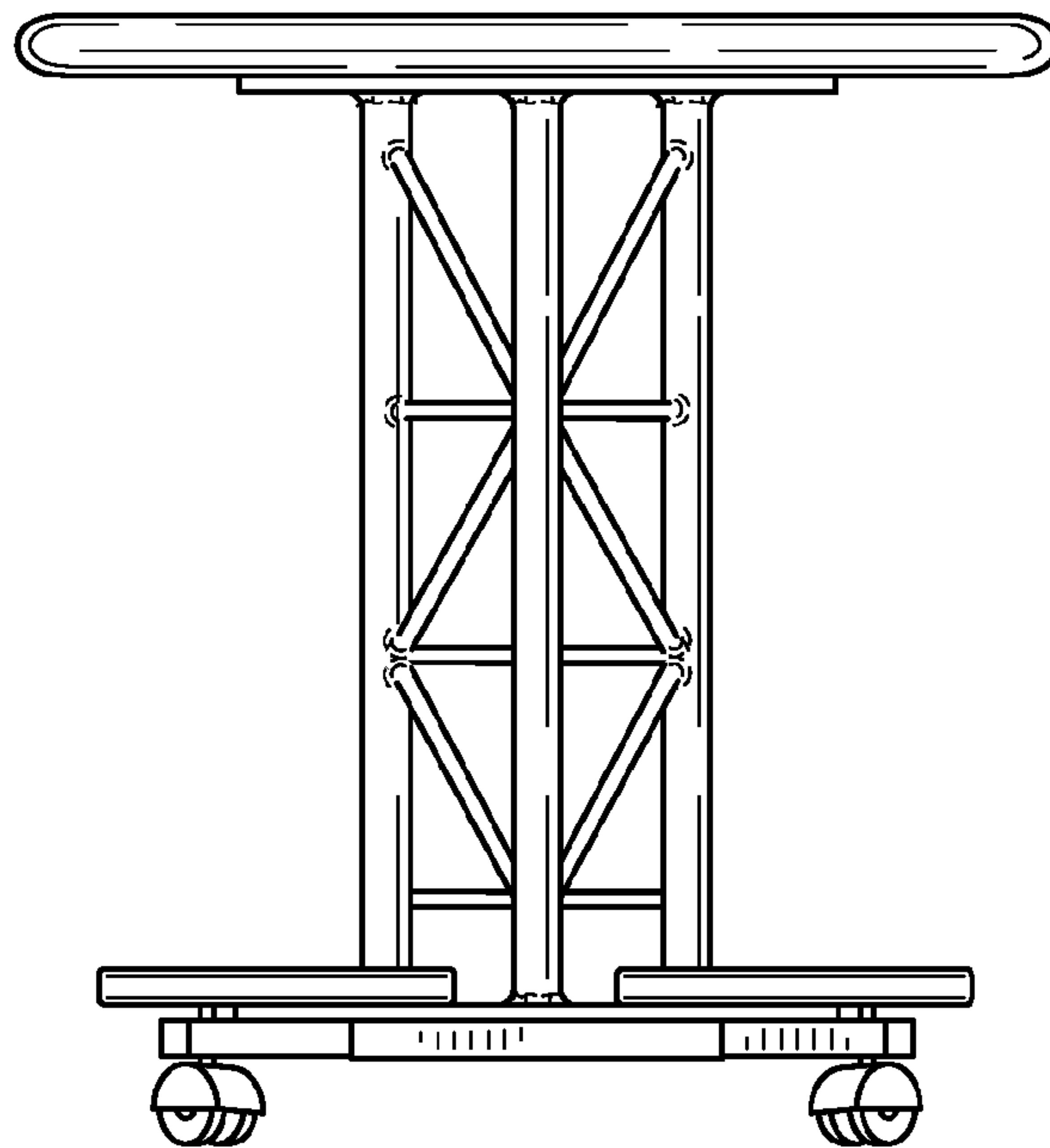


FIG. 5

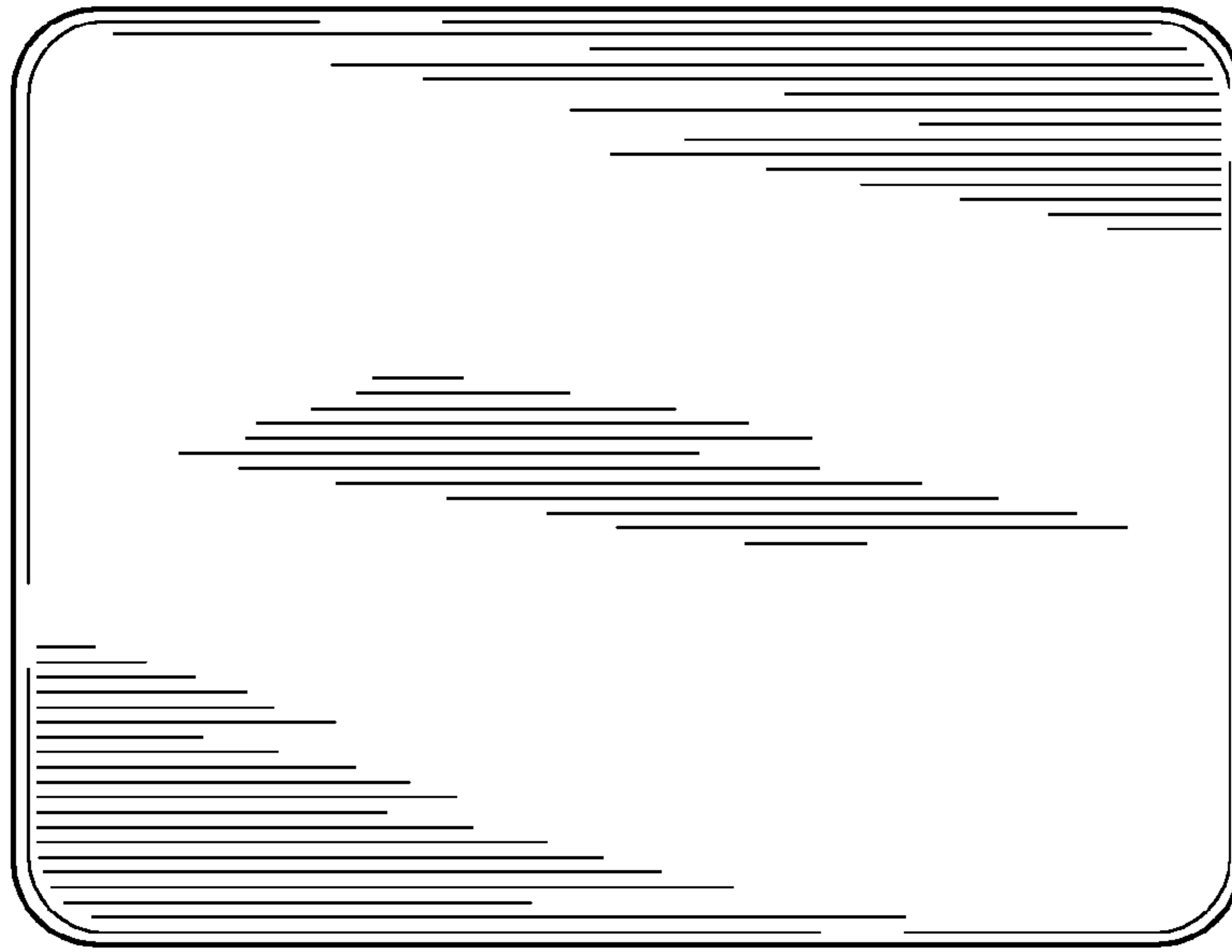


FIG. 6

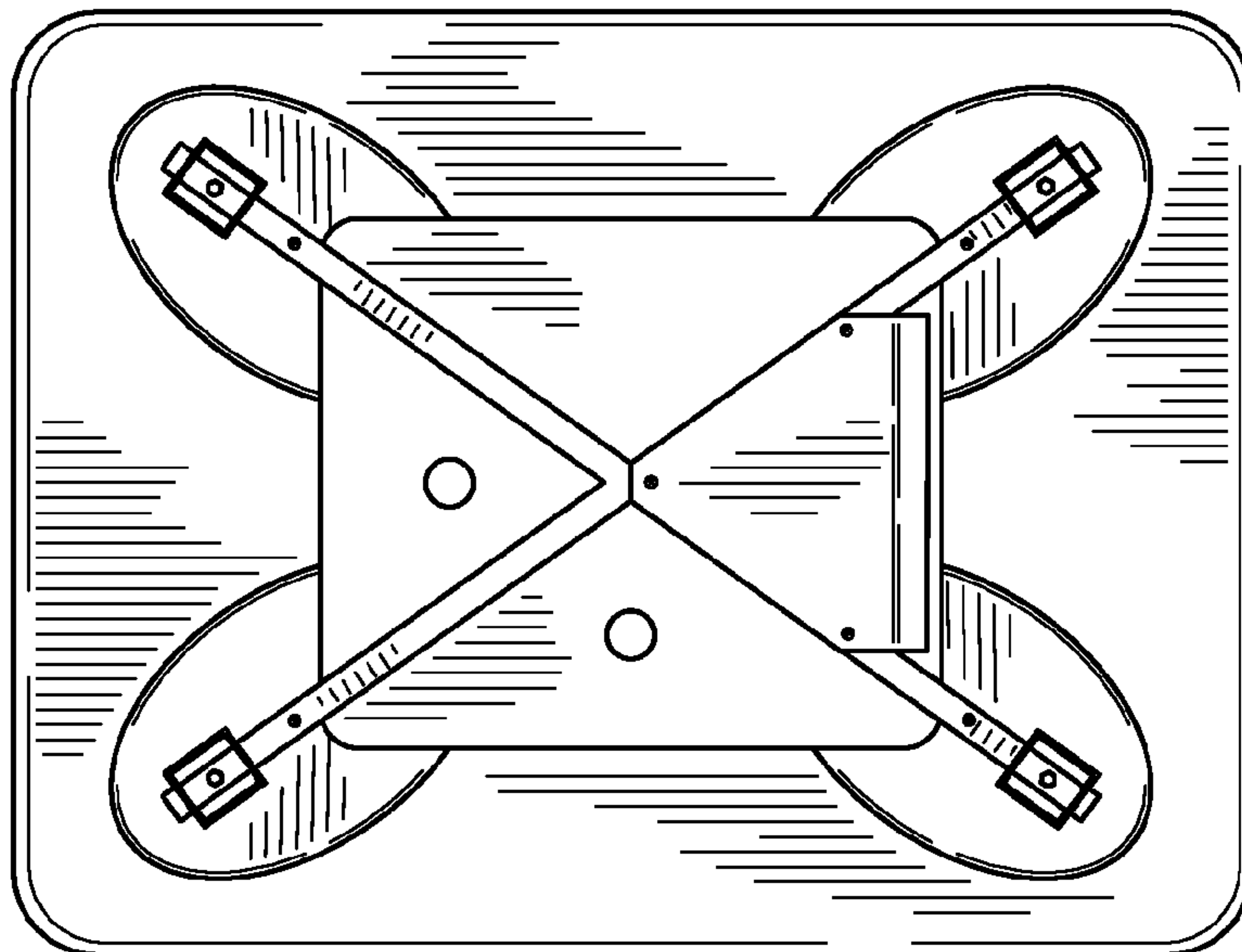


FIG. 7