



US00D595022S

(12) **United States Design Patent**
Leslie et al.

(10) **Patent No.:** **US D595,022 S**
(45) **Date of Patent:** **** Jun. 23, 2009**

(54) **IRON**

(75) Inventors: **Stuart Leslie**, Larchmont, NY (US);
Taek Kim, Washington Township, NJ
(US)

(73) Assignee: **Conair Corporation**, Stamford, CT
(US)

(**) Term: **14 Years**

(21) Appl. No.: **29/222,564**

(22) Filed: **Feb. 1, 2005**

(51) **LOC (9) Cl.** **07-05**

(52) **U.S. Cl.** **D32/70**

(58) **Field of Classification Search** D32/68-72;
38/69, 74-75, 77.1-77.9, 90-97, 81; 219/245-248
See application file for complete search history.

(56) **References Cited**

U.S. PATENT DOCUMENTS

D376,234 S *	12/1996	Hensel et al.	D32/70
D413,005 S *	8/1999	Taylor	D32/70
D446,371 S *	8/2001	Choi	D32/70
D464,780 S *	10/2002	Schupp	D32/70
D470,635 S *	2/2003	Choi	D32/70
D472,354 S *	3/2003	Figur et al.	D32/70
D476,453 S *	6/2003	Garman	D32/70
D478,401 S *	8/2003	Lee	D32/70
D481,186 S *	10/2003	Powell	D32/70
D484,289 S *	12/2003	Berthier	D32/70
D485,035 S *	1/2004	Schupp	D32/70
D487,603 S *	3/2004	Renault	D32/70
D490,953 S *	6/2004	Fujita	D32/70

* cited by examiner

Primary Examiner—Pamela J Burgess

(74) *Attorney, Agent, or Firm*—Lawrence Cruz

(57) **CLAIM**

The ornamental design for an iron, as shown and described.

DESCRIPTION

FIG. 1 is a front perspective view of a first embodiment of an iron showing our design;

FIG. 2 is a rear perspective view of the iron of FIG. 1;

FIG. 3 is a side view of the iron of FIG. 1, the opposite side view being a mirror image thereof;

FIG. 4 is a front view of the iron of FIG. 1;

FIG. 5 is a rear view of the iron of FIG. 1;

FIG. 6 is a top view of the iron of FIG. 1;

FIG. 7 is a bottom view of the iron of FIG. 1;

FIG. 8 is a front perspective view of a second embodiment of an iron showing our design;

FIG. 9 is a rear perspective view of the iron of FIG. 8;

FIG. 10 is a side view of the iron of FIG. 8, the opposite side view being a mirror image thereof;

FIG. 11 is a front view of the iron of FIG. 8;

FIG. 12 is a top view of the iron of FIG. 8;

FIG. 13 is a front perspective view of a third embodiment of an iron showing our design;

FIG. 14 is a rear perspective view of the iron of FIG. 13;

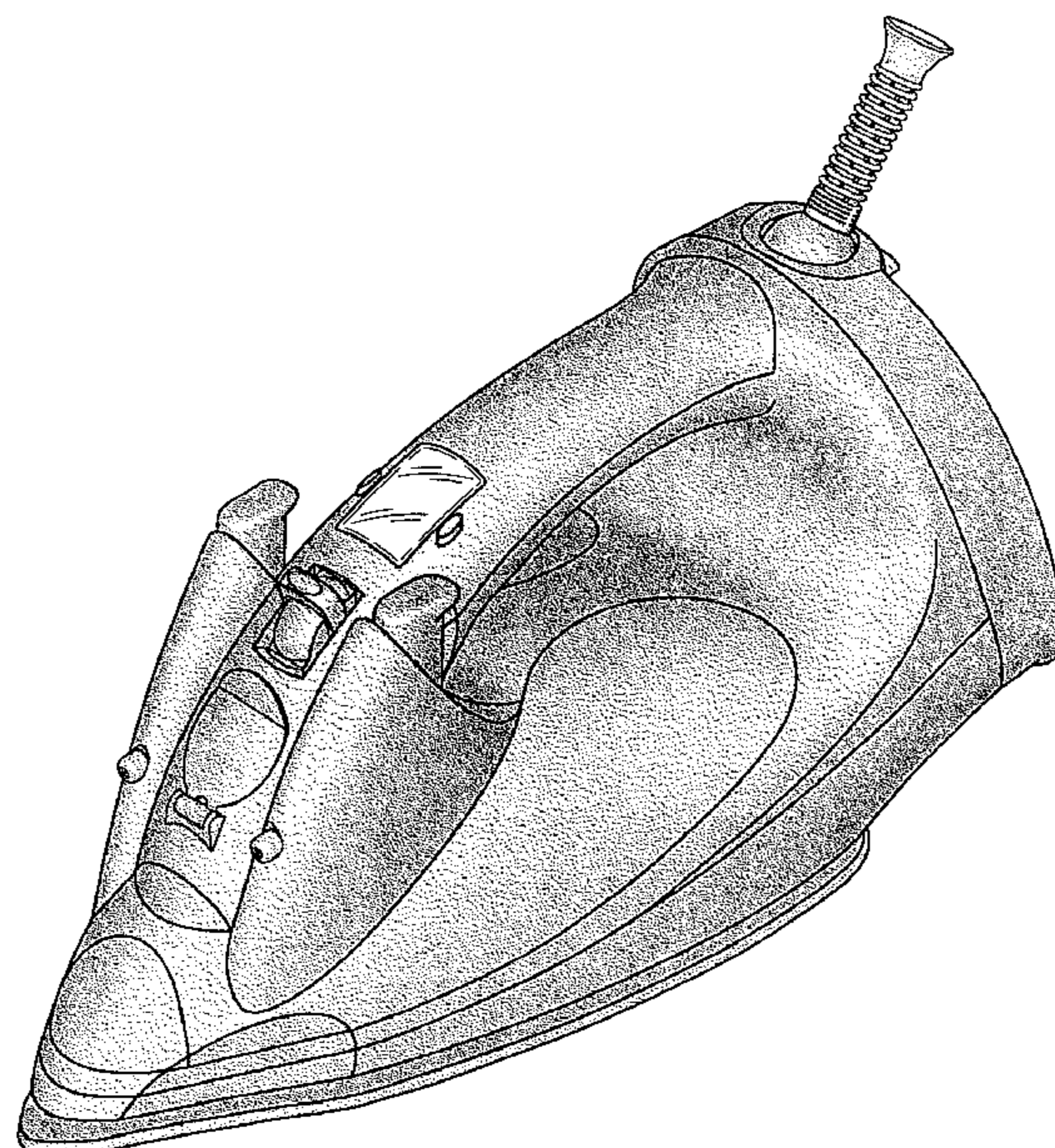
FIG. 15 is a side view of the iron of FIG. 13, the opposite side view being a mirror image thereof;

FIG. 16 is a front view of the iron of FIG. 13; and,

FIG. 17 is a top view of the iron of FIG. 13.

The broken lines shown in the drawings are for illustrative purposes only and form no part of the claimed design.

1 Claim, 16 Drawing Sheets



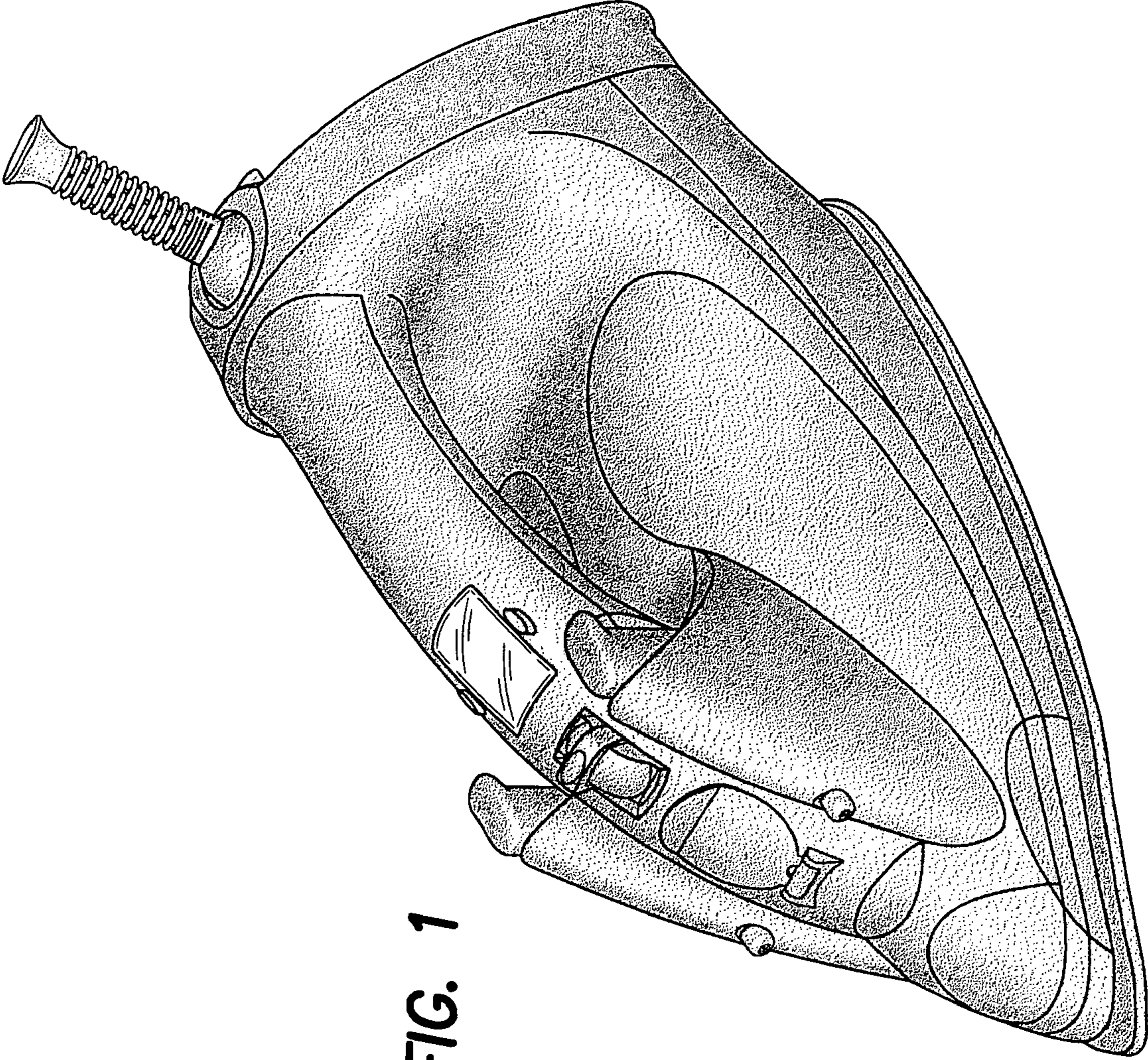


FIG. 1

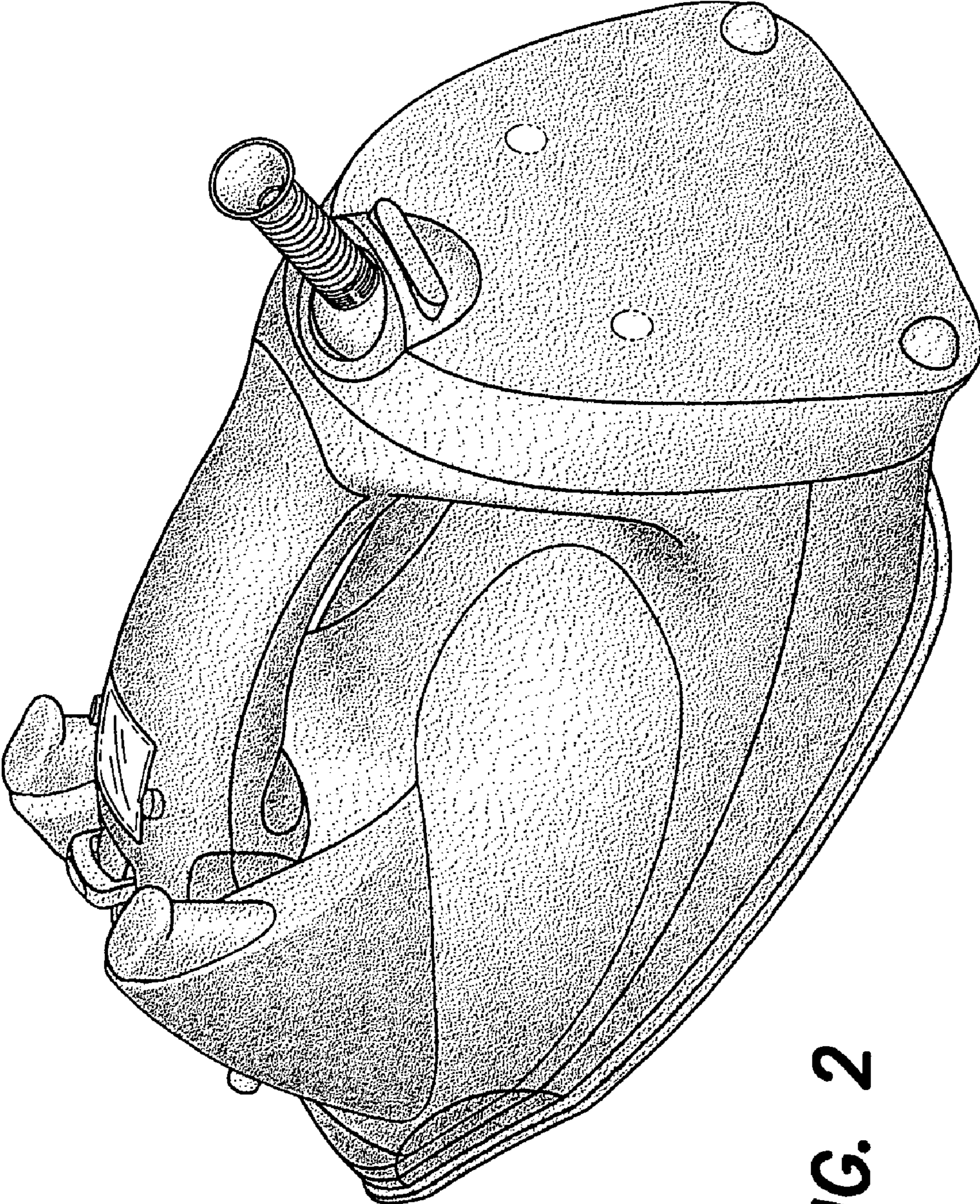


FIG. 2

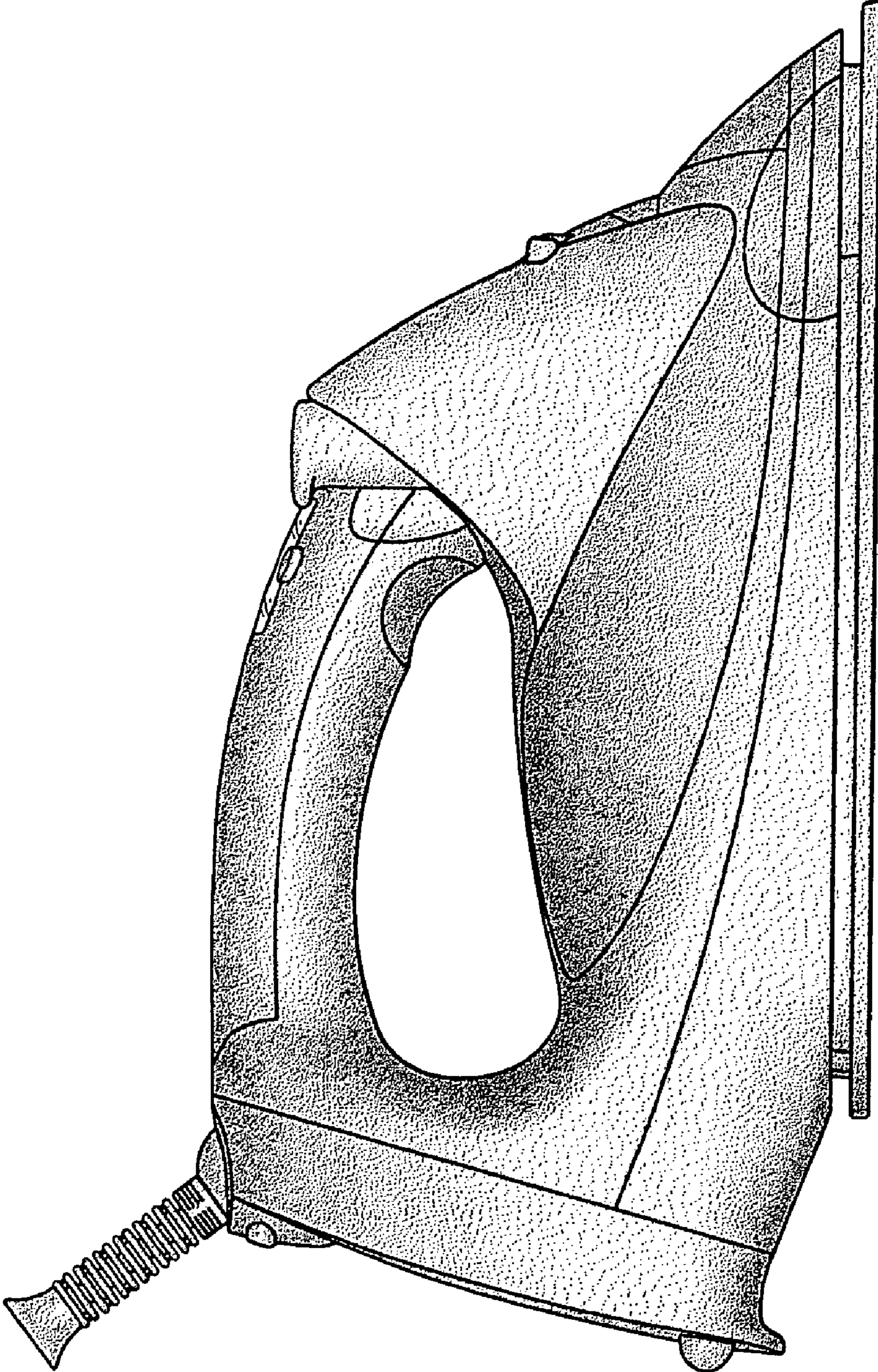


FIG. 3

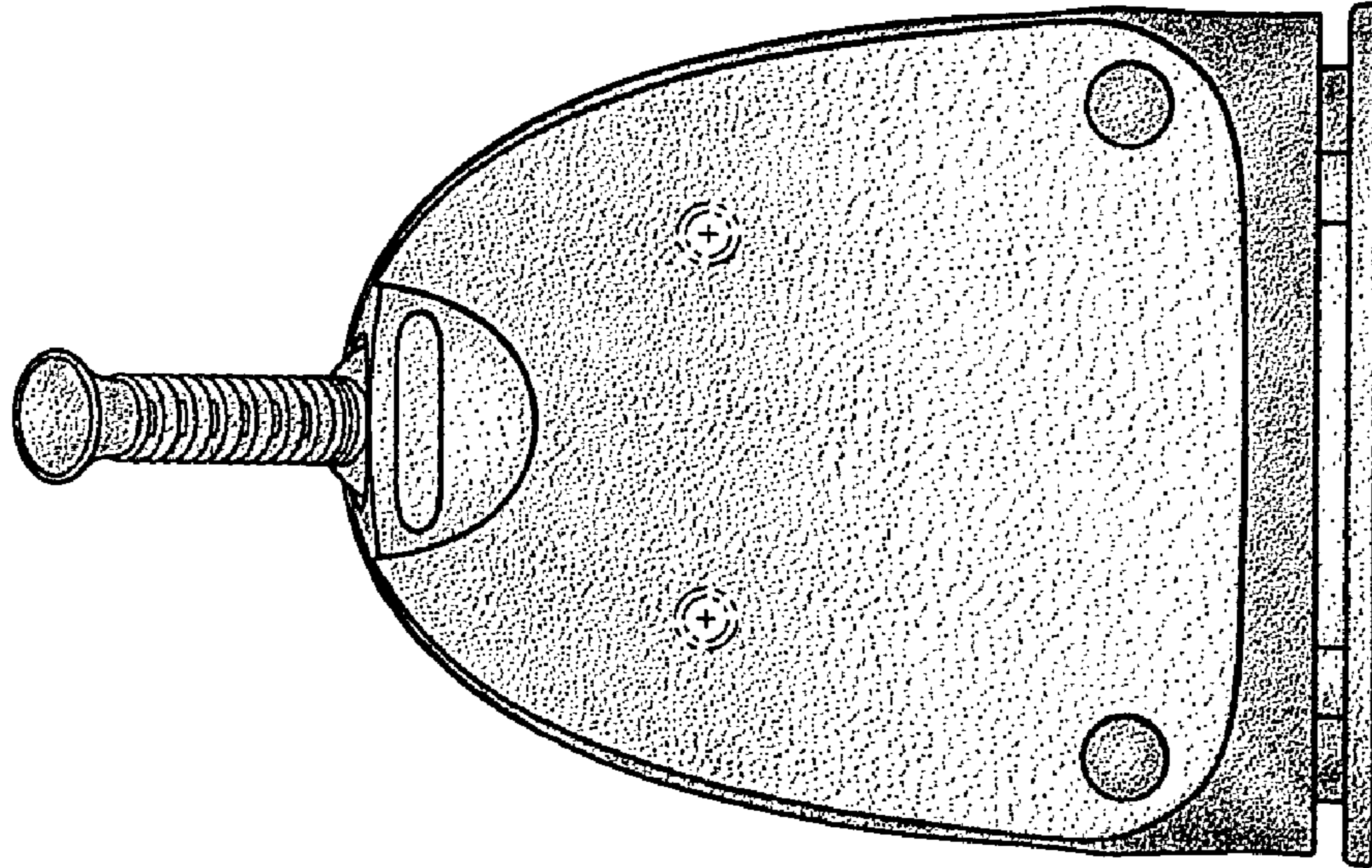


FIG. 5

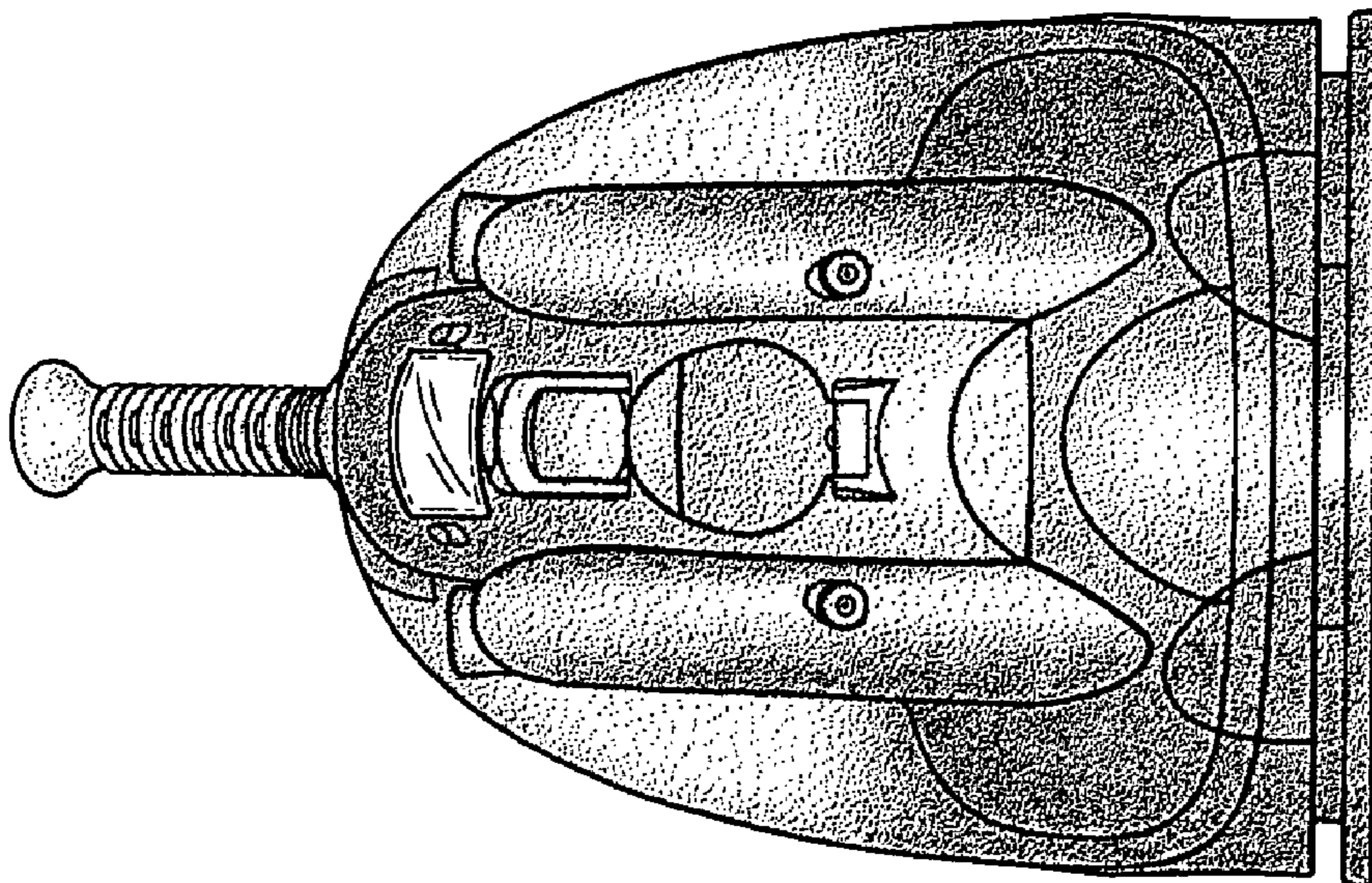


FIG. 4

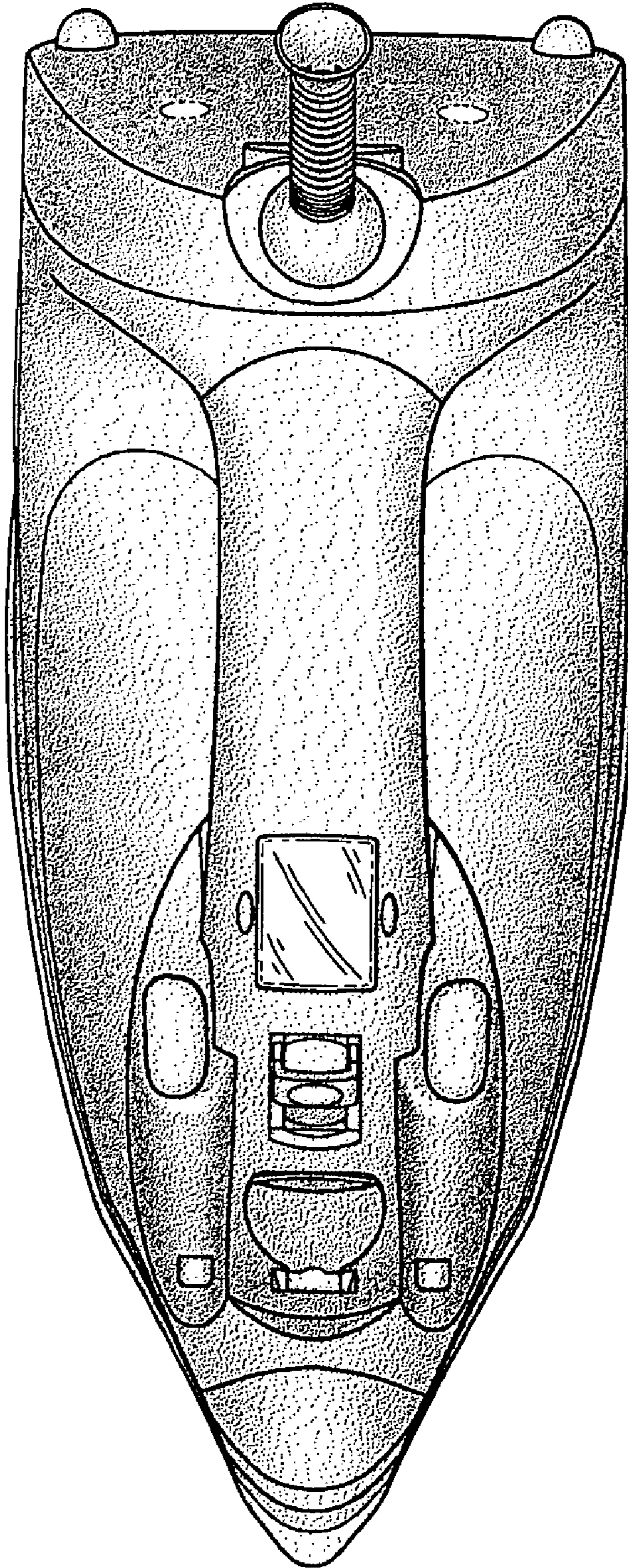


FIG. 6

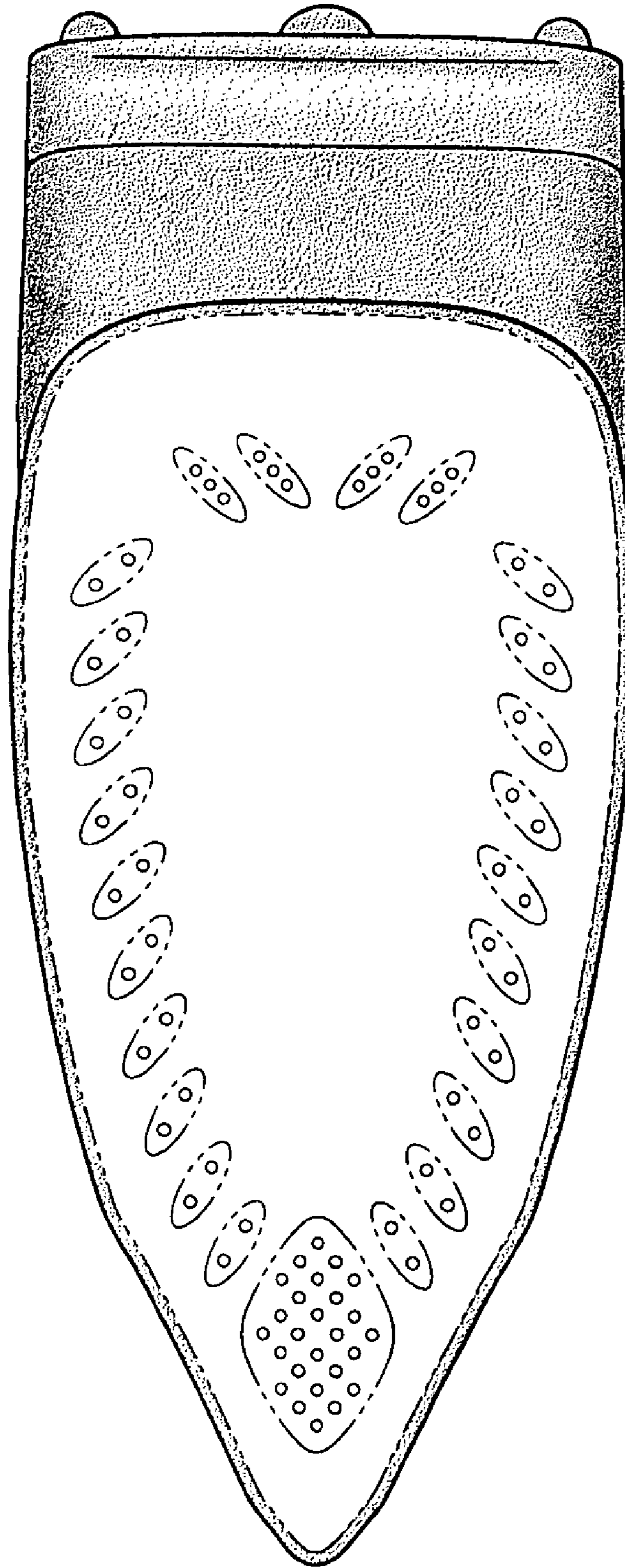


FIG. 7

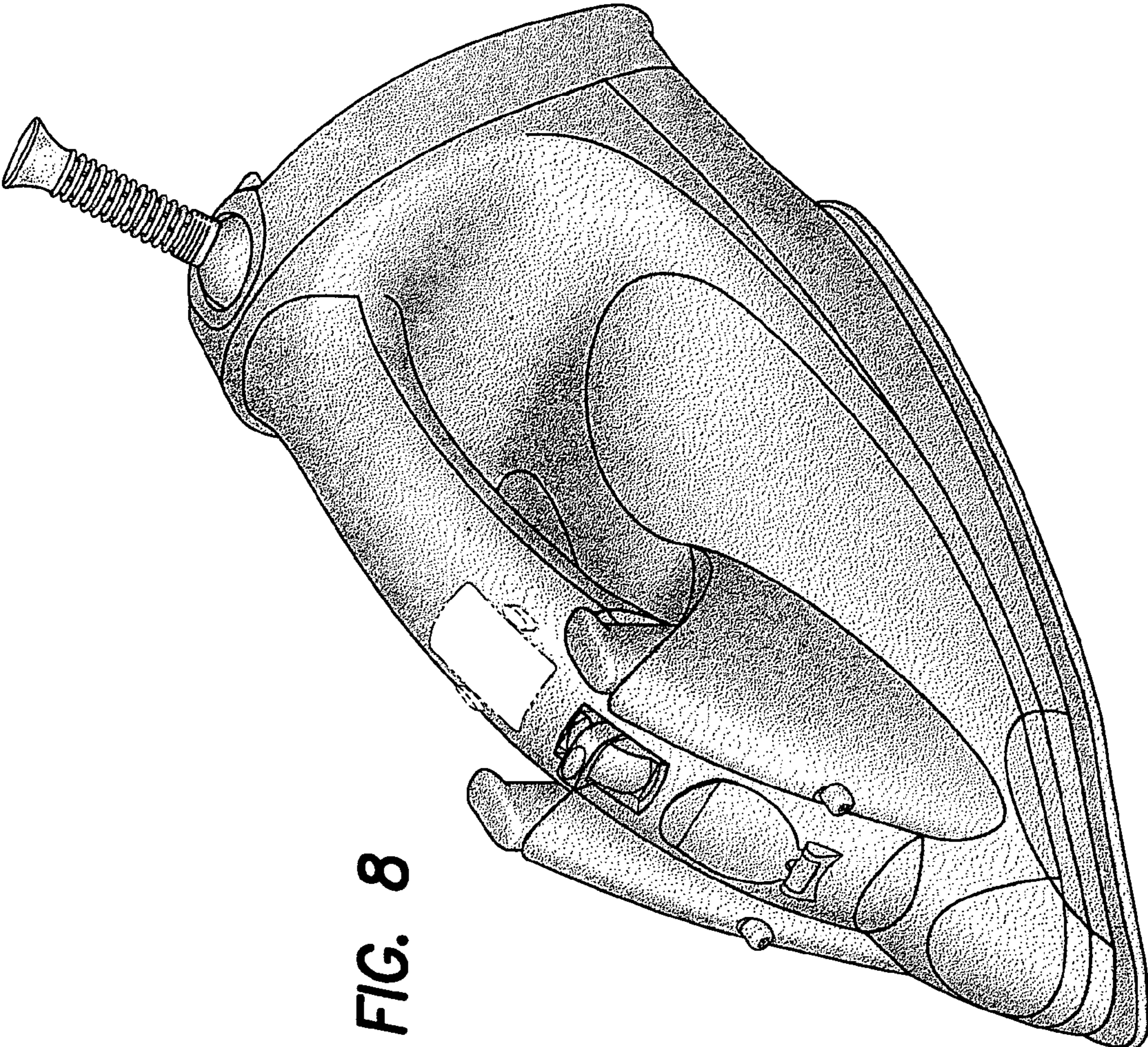


FIG. 8

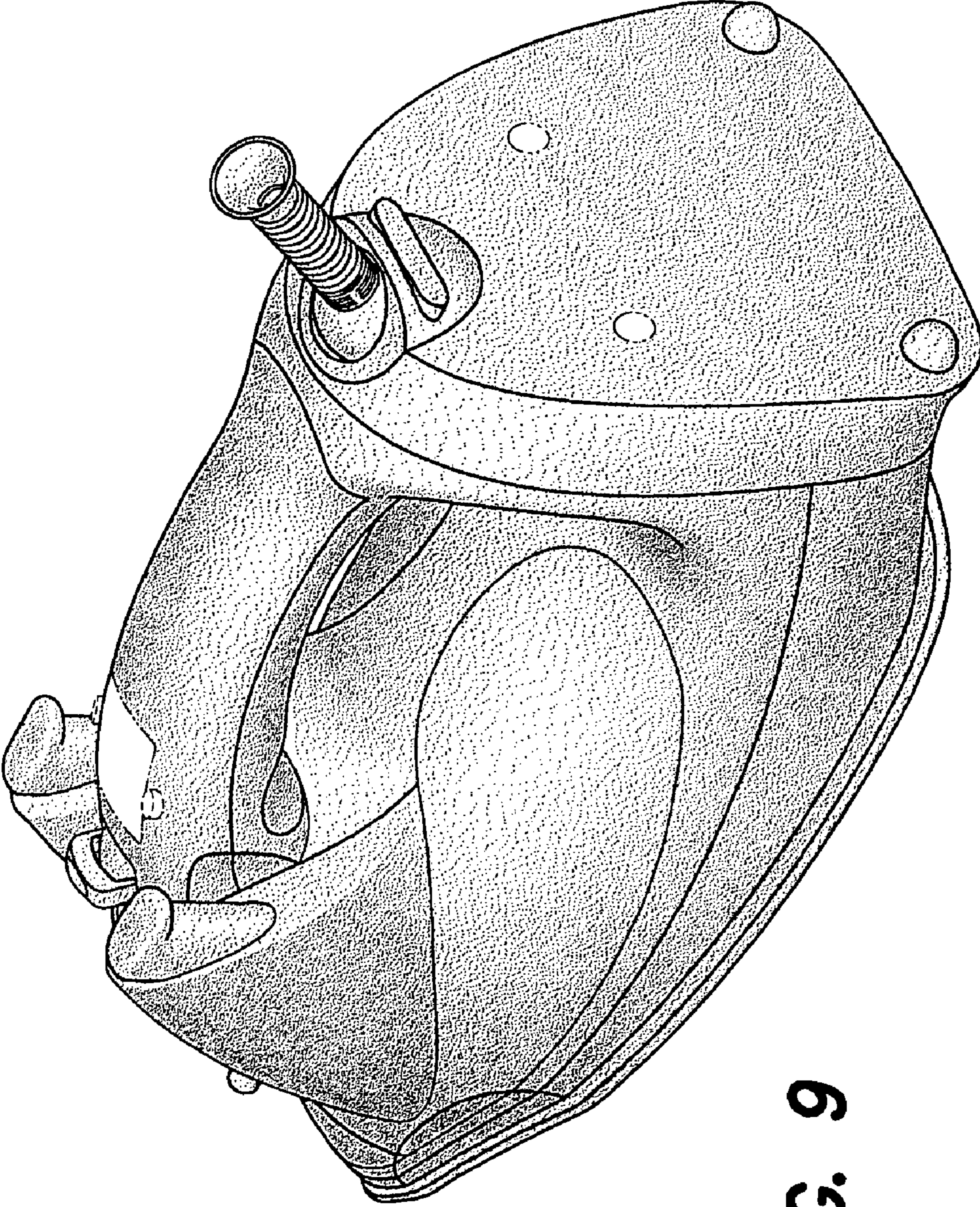


FIG. 9

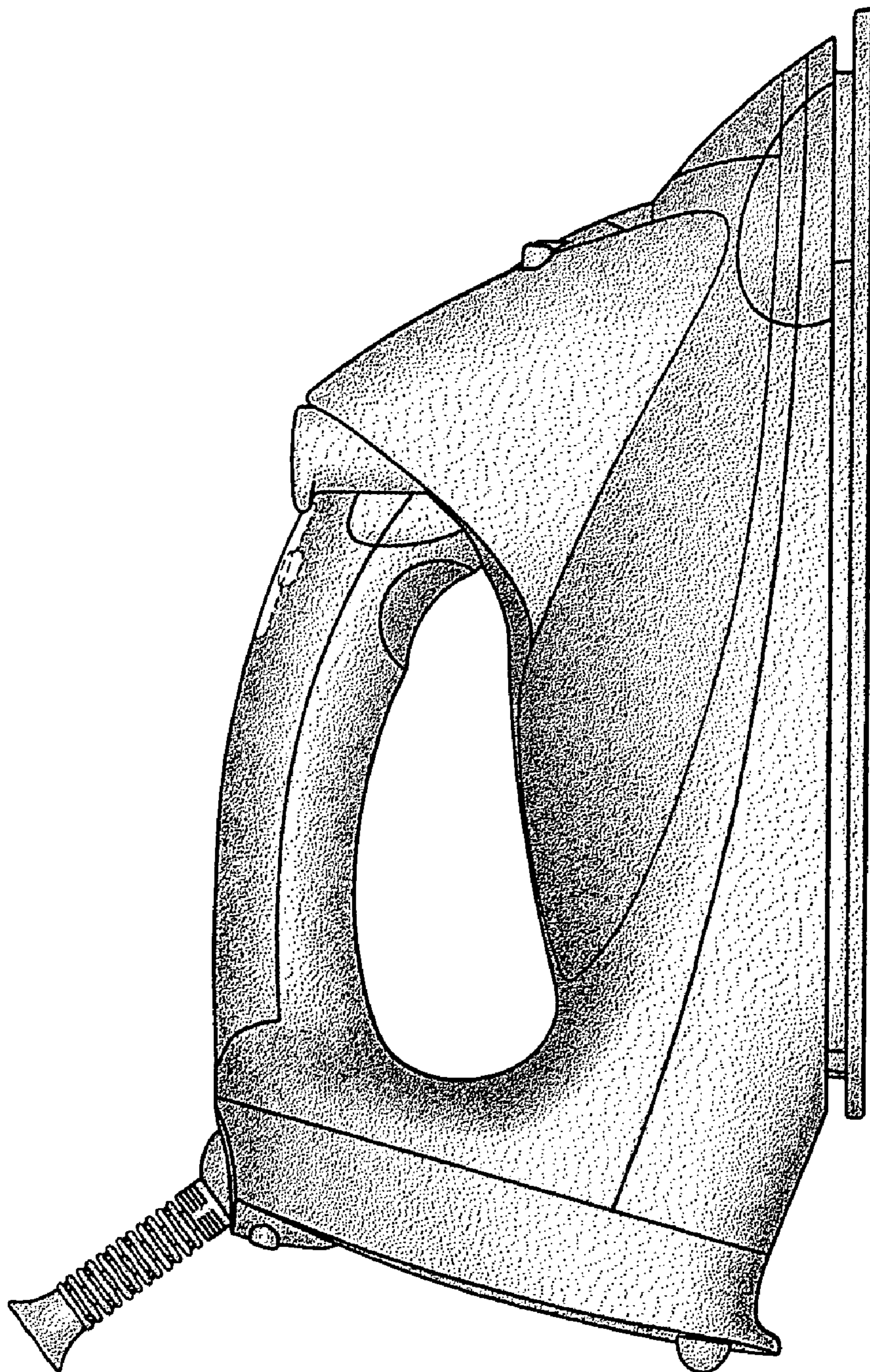


FIG. 10

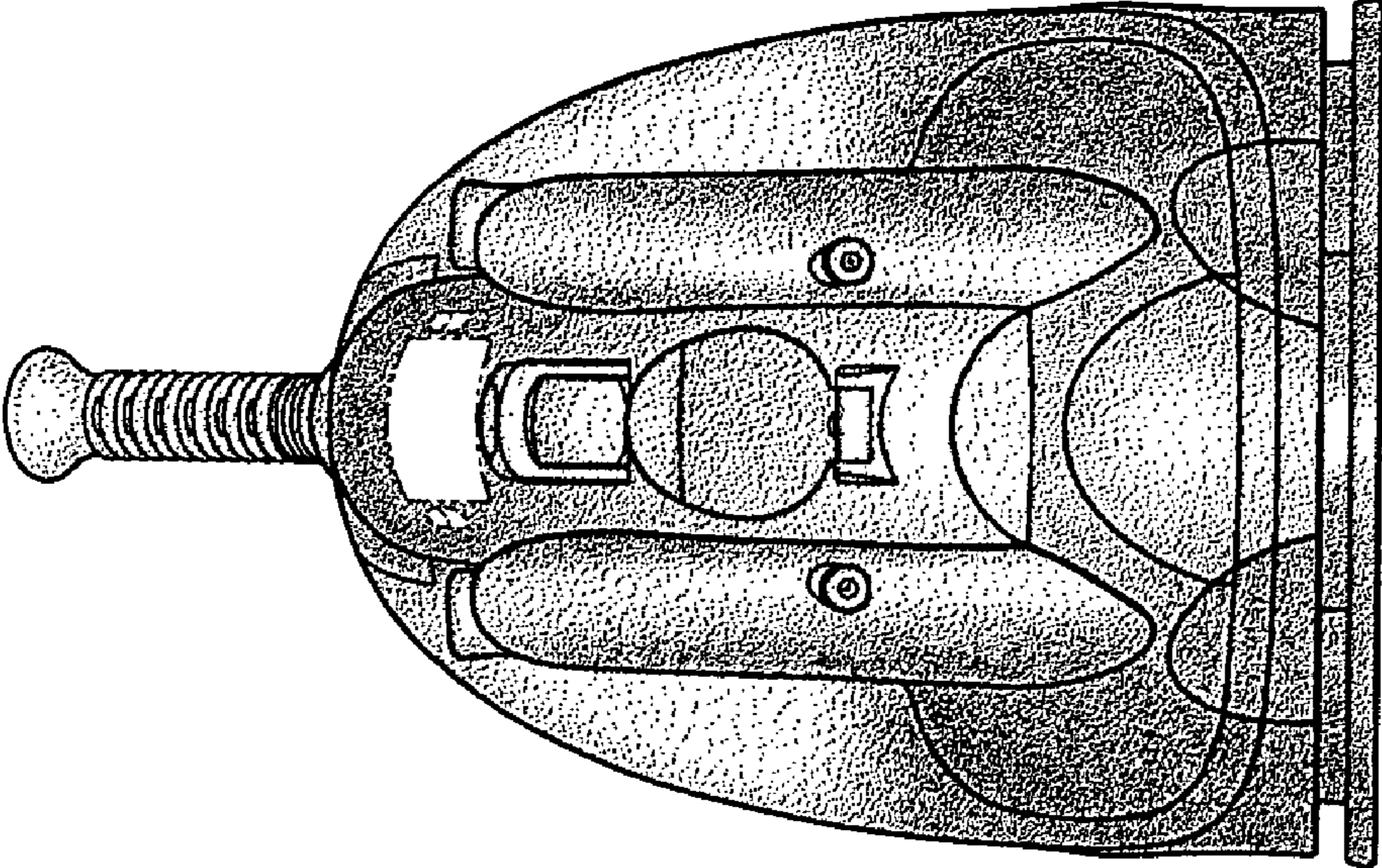


FIG. 11

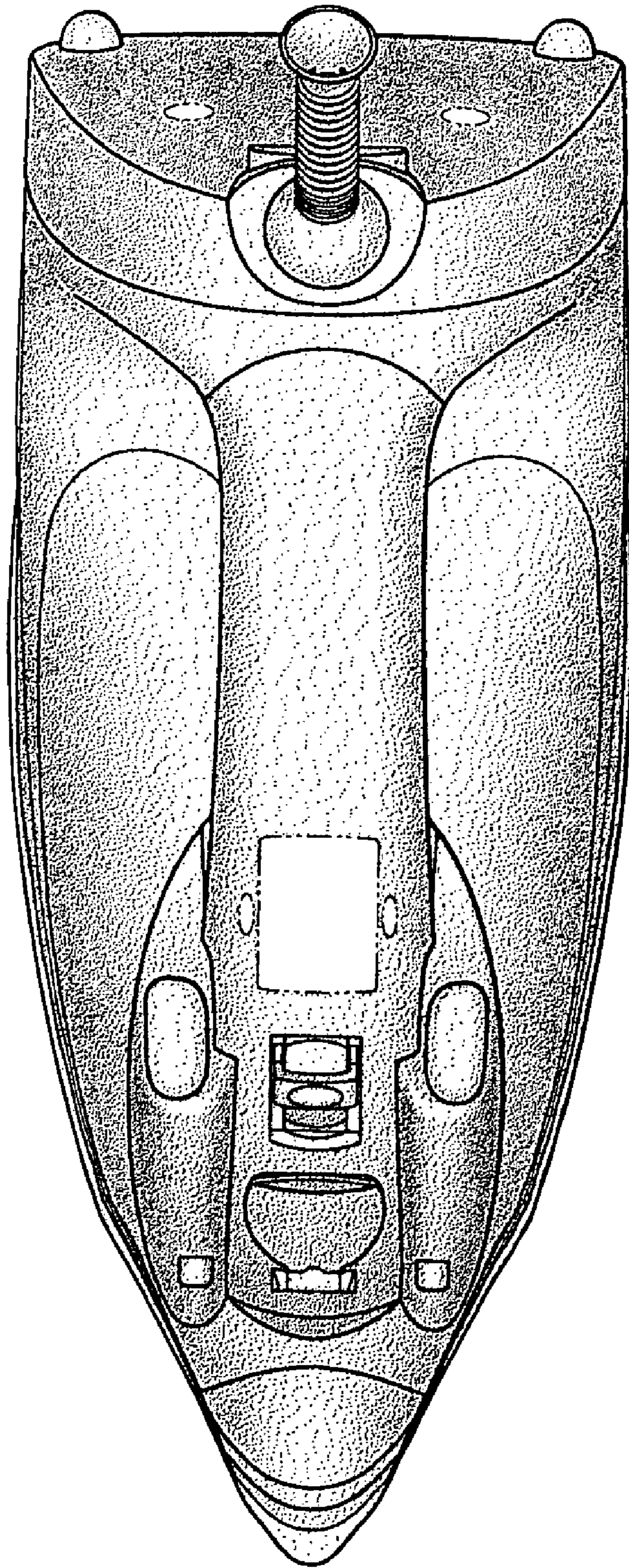


FIG. 12

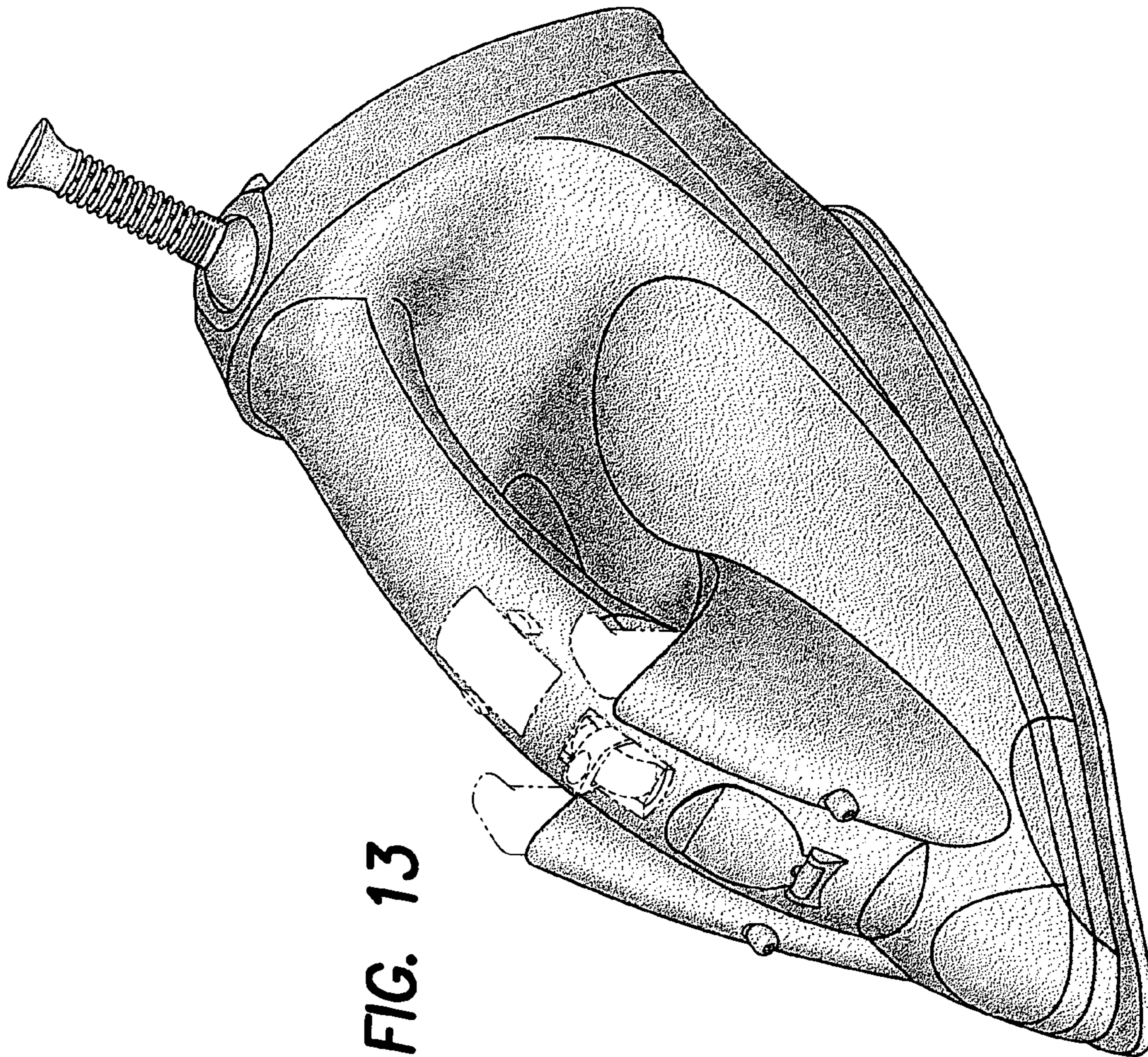


FIG. 13

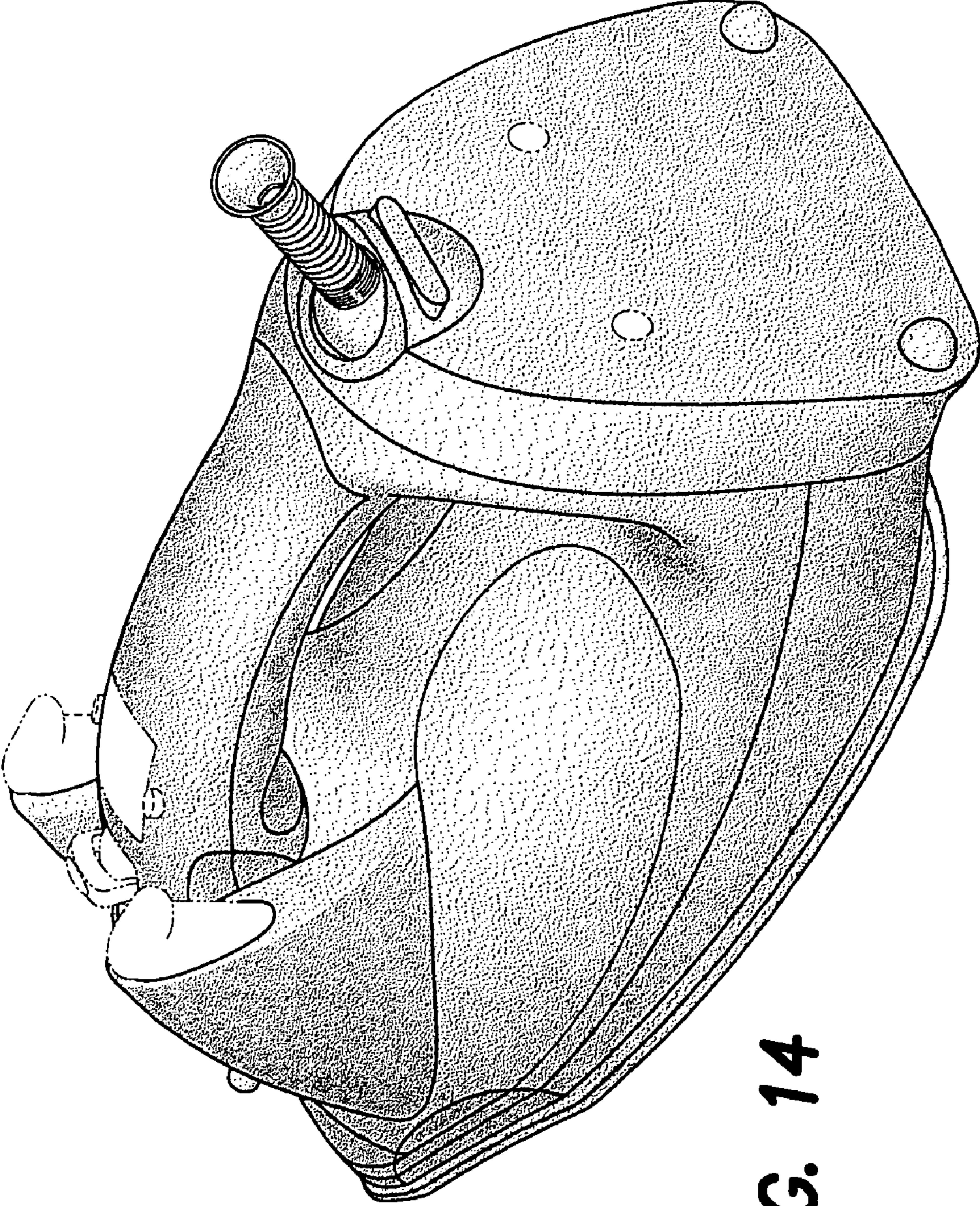


FIG. 14

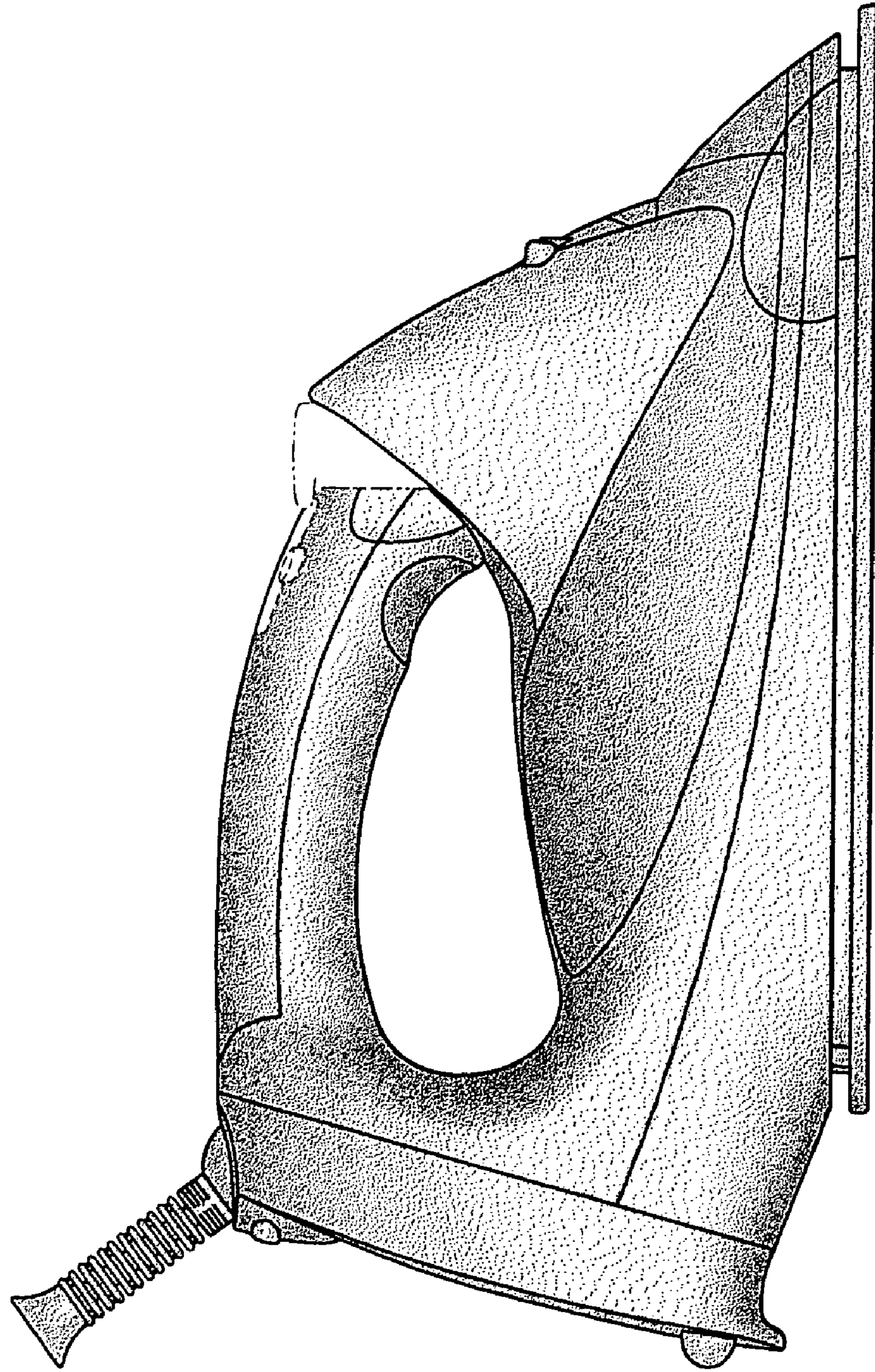


FIG. 15

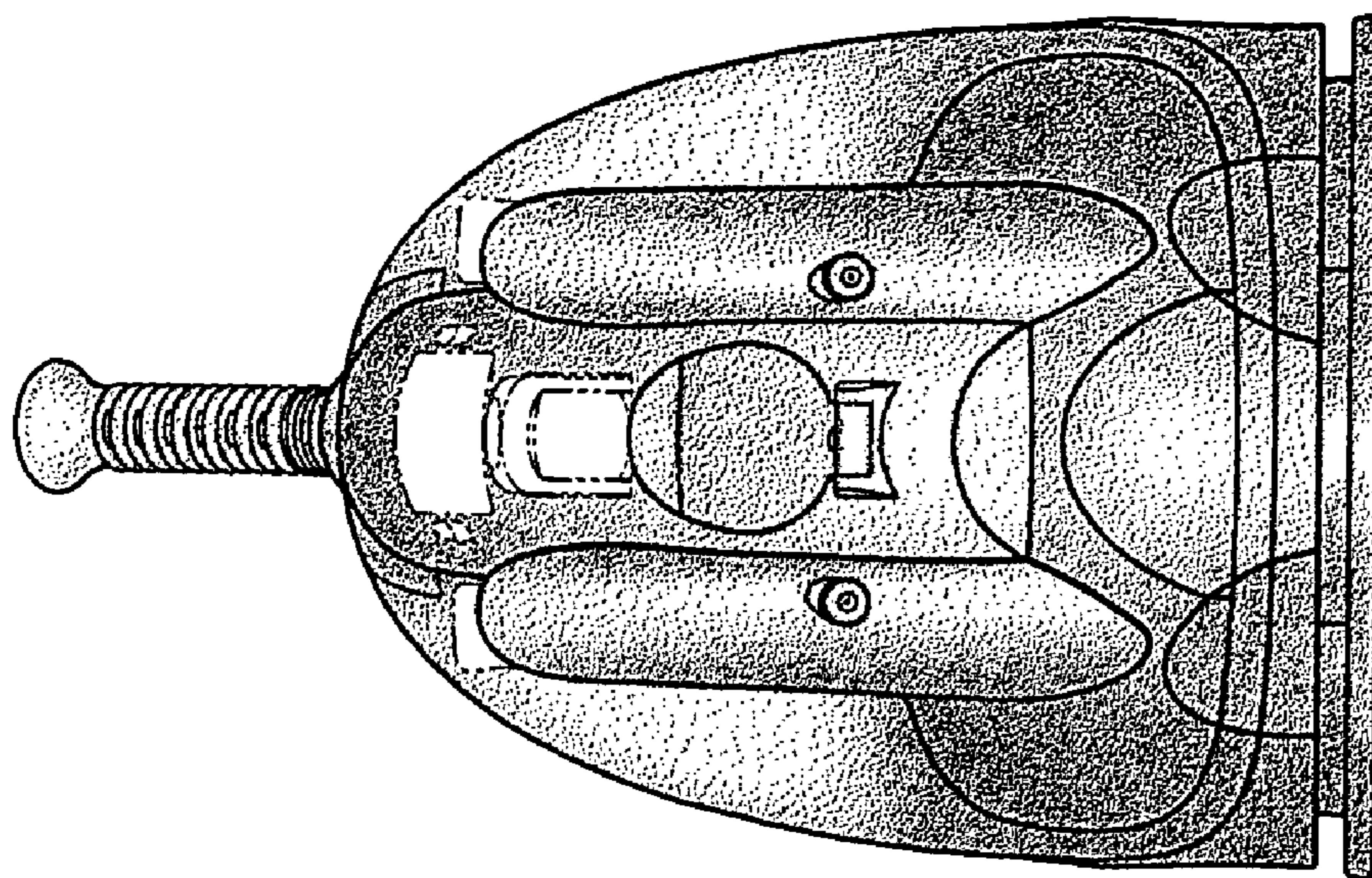


FIG. 16

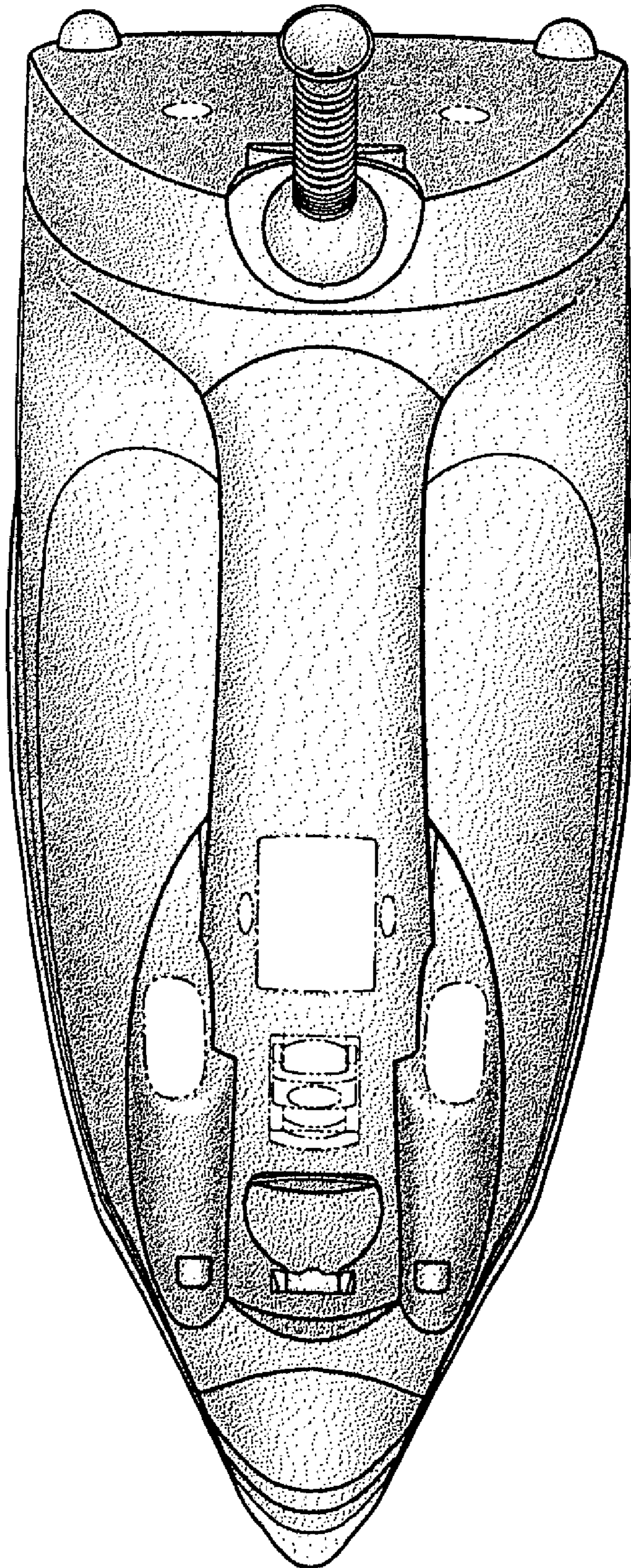


FIG. 17