



US00D595021S

(12) **United States Design Patent**
Edwards

(10) **Patent No.:** **US D595,021 S**

(45) **Date of Patent:** **** Jun. 23, 2009**

(54) **IRON**

(75) Inventor: **Gwendolyn M. Edwards**, Landrum, SC (US)

(73) Assignee: **Prym Consumer USA Inc.**, Spartanburg, SC (US)

(**) Term: **14 Years**

(21) Appl. No.: **29/323,391**

(22) Filed: **Aug. 25, 2008**

(51) **LOC (9) Cl.** **07-05**

(52) **U.S. Cl.** **D32/69; D32/68**

(58) **Field of Classification Search** **D32/68-73;**
38/77.1-77.5, 75, 69, 79, 77.7-77.8, 88;
219/245, 254, 273, 275

See application file for complete search history.

(56) **References Cited**

U.S. PATENT DOCUMENTS

D99,751 S *	5/1936	Morgan	D32/68
D212,700 S *	11/1968	Teleki	D21/526
D230,458 S *	2/1974	Hall	D32/69
4,496,826 A *	1/1985	Osrow	392/335
D415,865 S *	10/1999	Littmann et al.	D32/70
D466,260 S *	11/2002	Wu	D32/69
7,155,117 B2	12/2006	Leung et al.		

OTHER PUBLICATIONS

Conair Online Store, www.conair-store.com, Deluxe Hand Held Fabric Steamer, website, Oct. 27, 2008, 1, Conair Inc., Stamford, CT.

Brookstone, www.brookstone.com, 2-in-1 Travel Steamer Iron, website, Oct. 27, 2008, 1, Brookstone Company, Inc., Nashua, NH.

* cited by examiner

Primary Examiner—Pamela J Burgess

(74) *Attorney, Agent, or Firm*—J. Bennett Mullinax, LLC

(57) **CLAIM**

The ornamental design for an iron, as shown and described.

DESCRIPTION

FIG. 1 is a perspective view of an iron according to a first embodiment of the present design.

FIG. 2 is a top plan view of an iron as seen in FIG. 1.

FIG. 3 is a bottom plan view of an iron as seen in FIG. 1.

FIG. 4 is a left side elevation view of an iron as seen in FIG. 1.

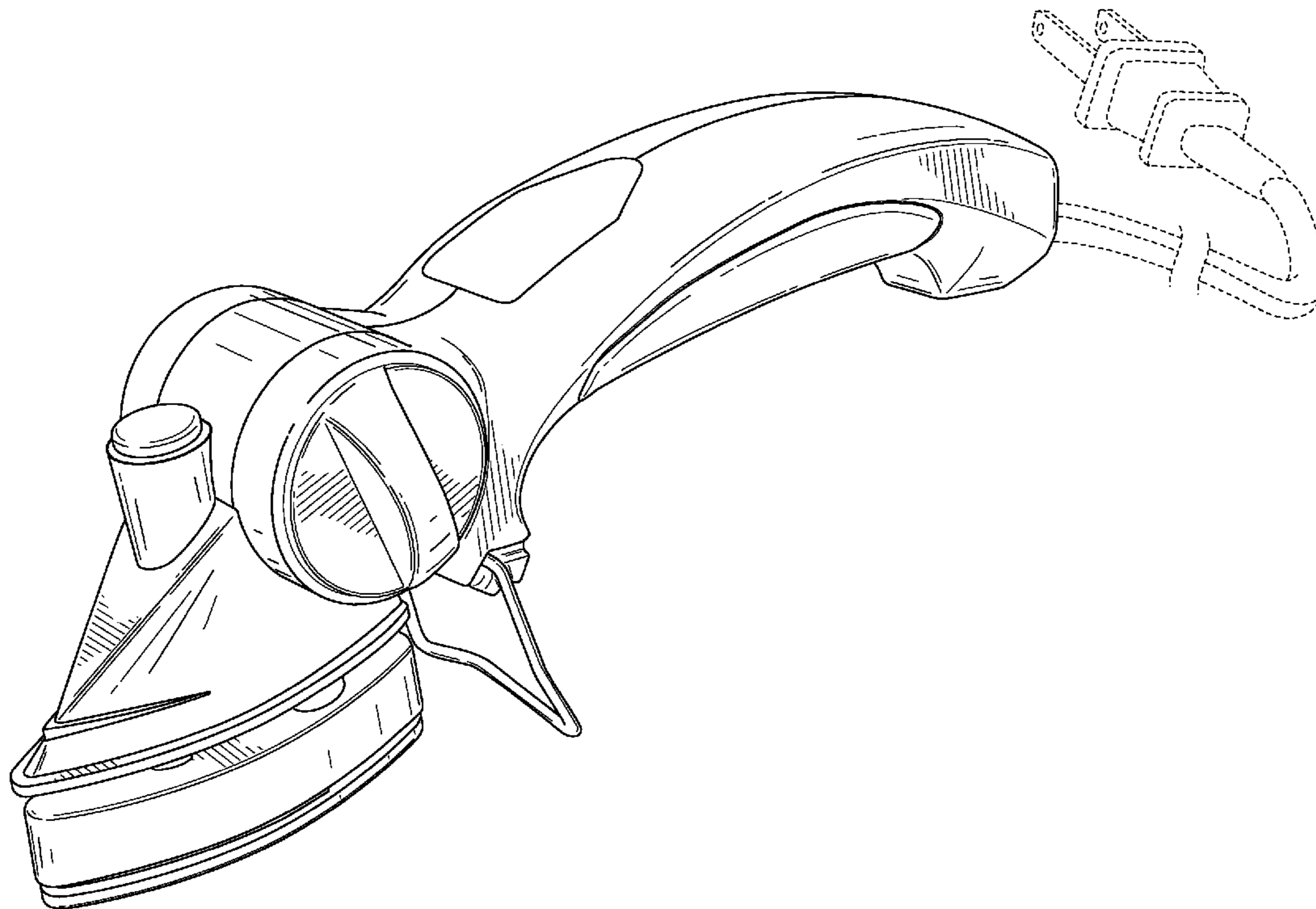
FIG. 5 is a right side elevation view of an iron as seen in FIG. 1.

FIG. 6 is a front elevation view of an iron as seen in FIG. 1; and,

FIG. 7 is a rear elevation view of an iron as seen in FIG. 1.

The broken lines in FIGS. 1 through 7 depicting an electrical cord are for illustrative purposes only and form no part of the claimed design.

1 Claim, 6 Drawing Sheets



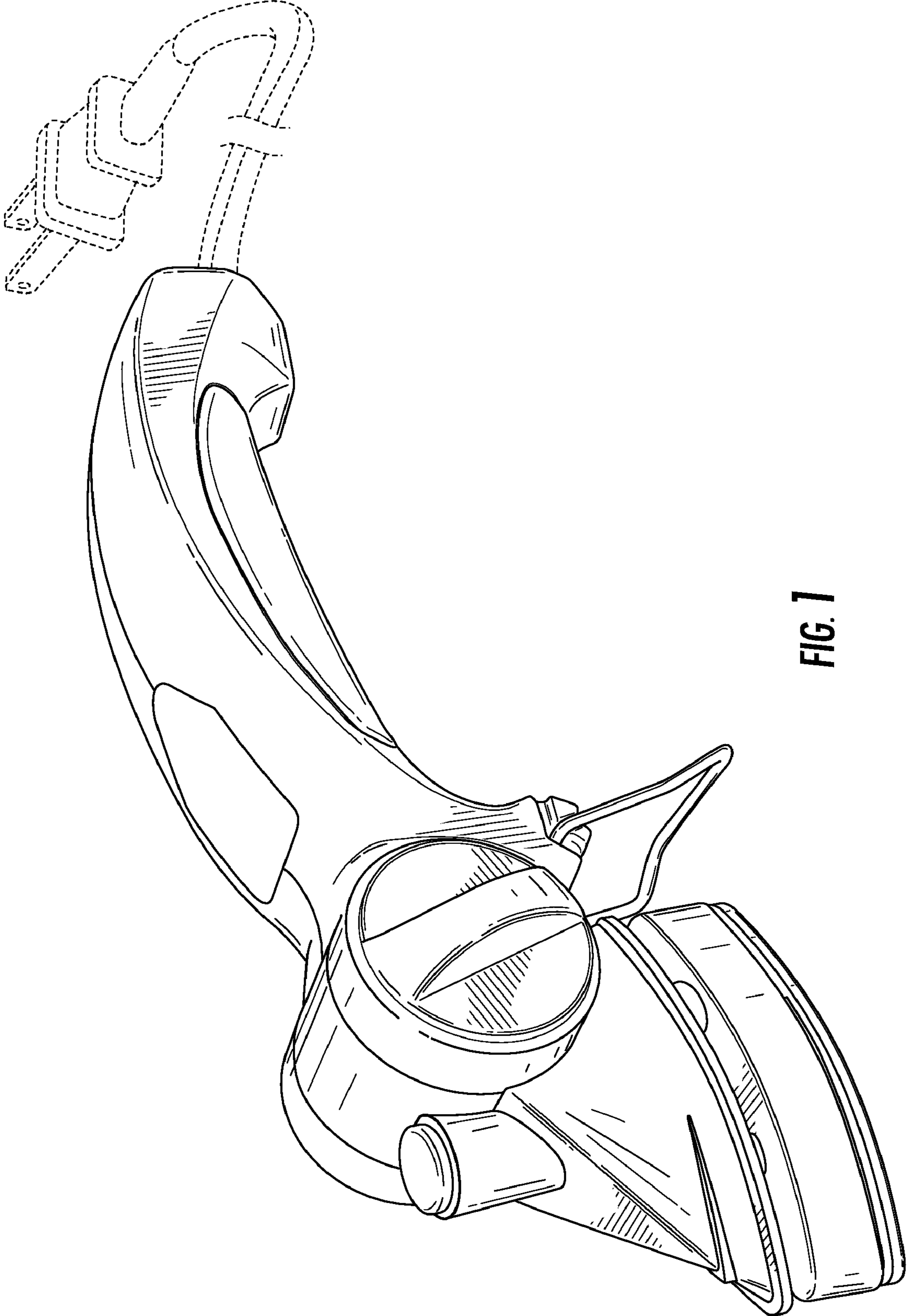


FIG. 1

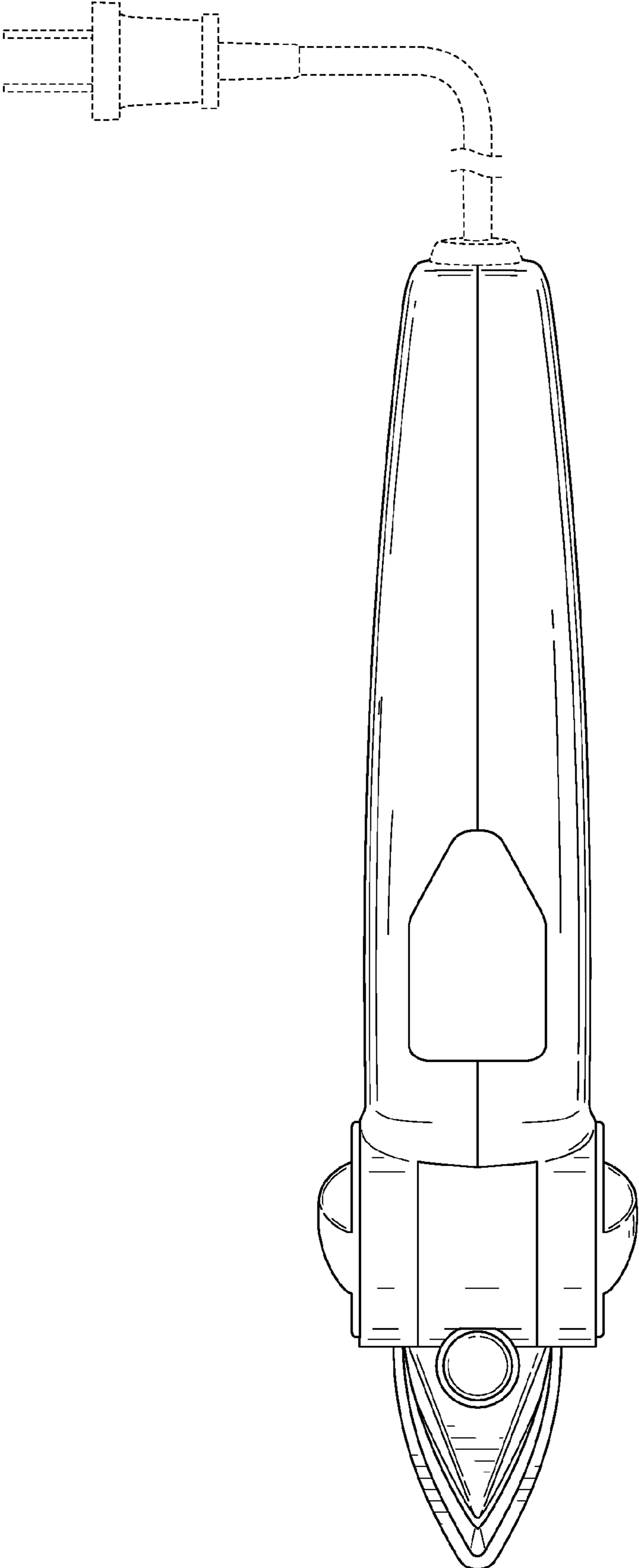


FIG. 2

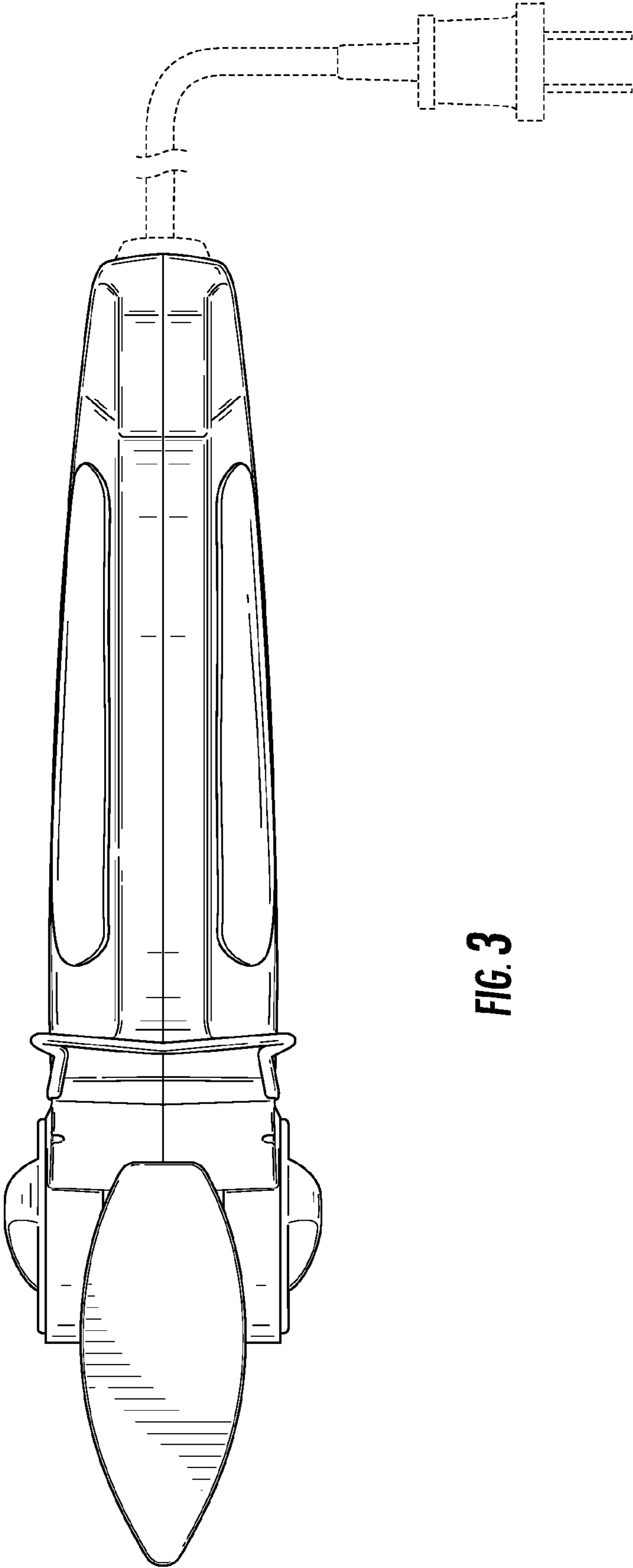


FIG. 3

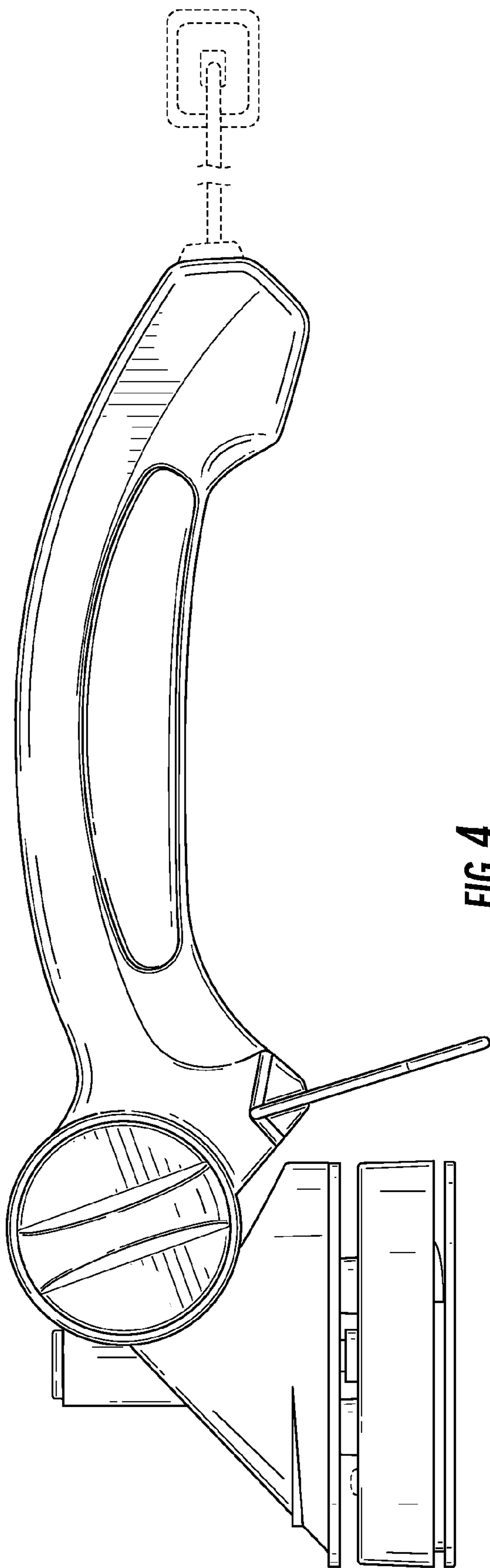


FIG. 4

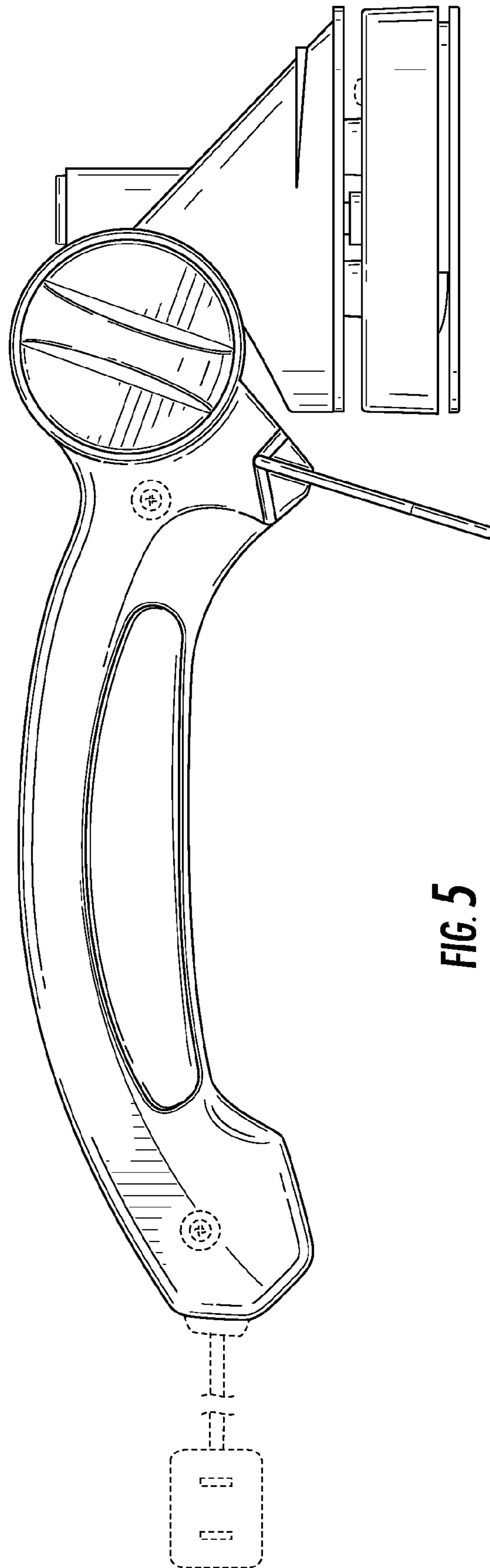


FIG. 5

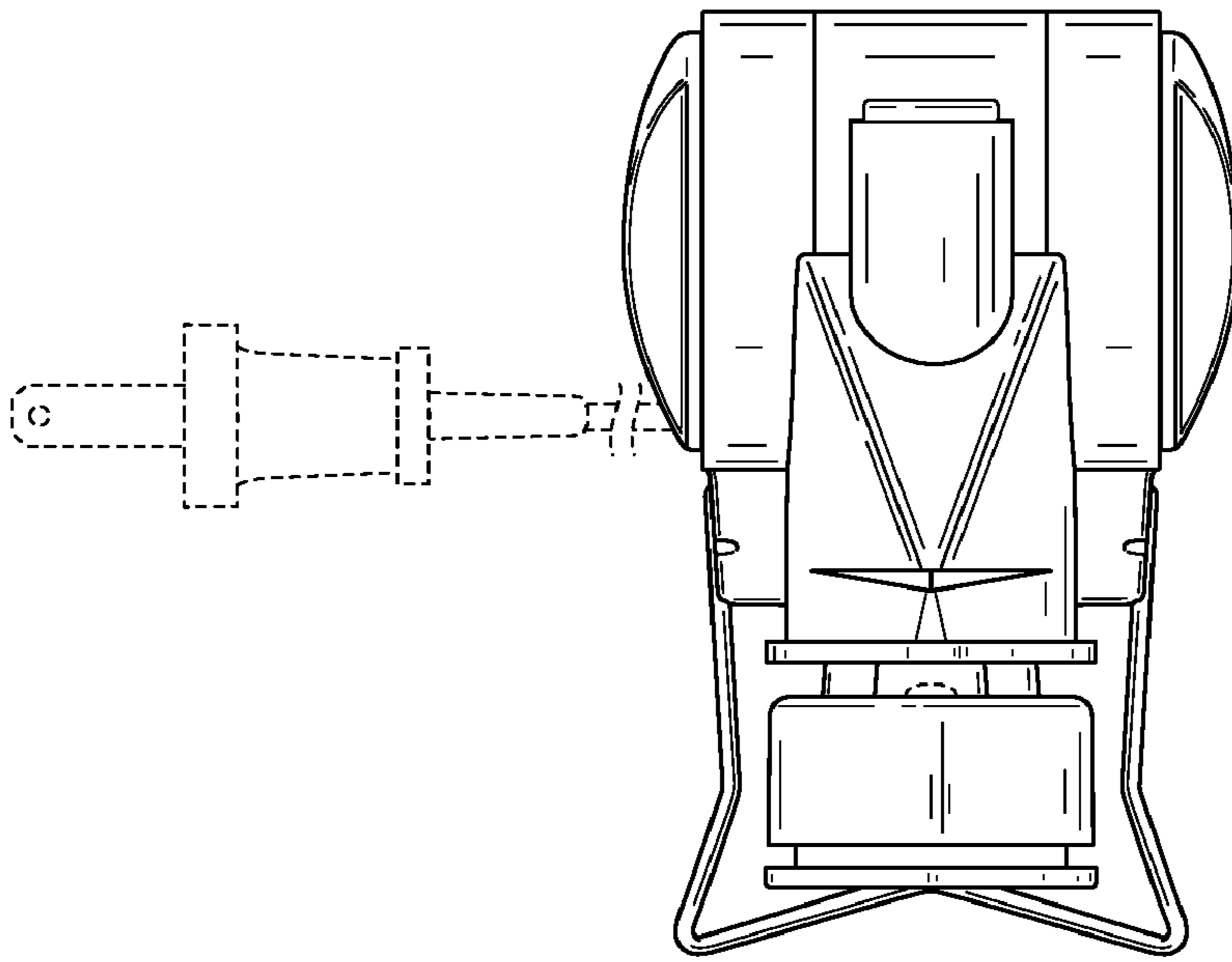


FIG. 6

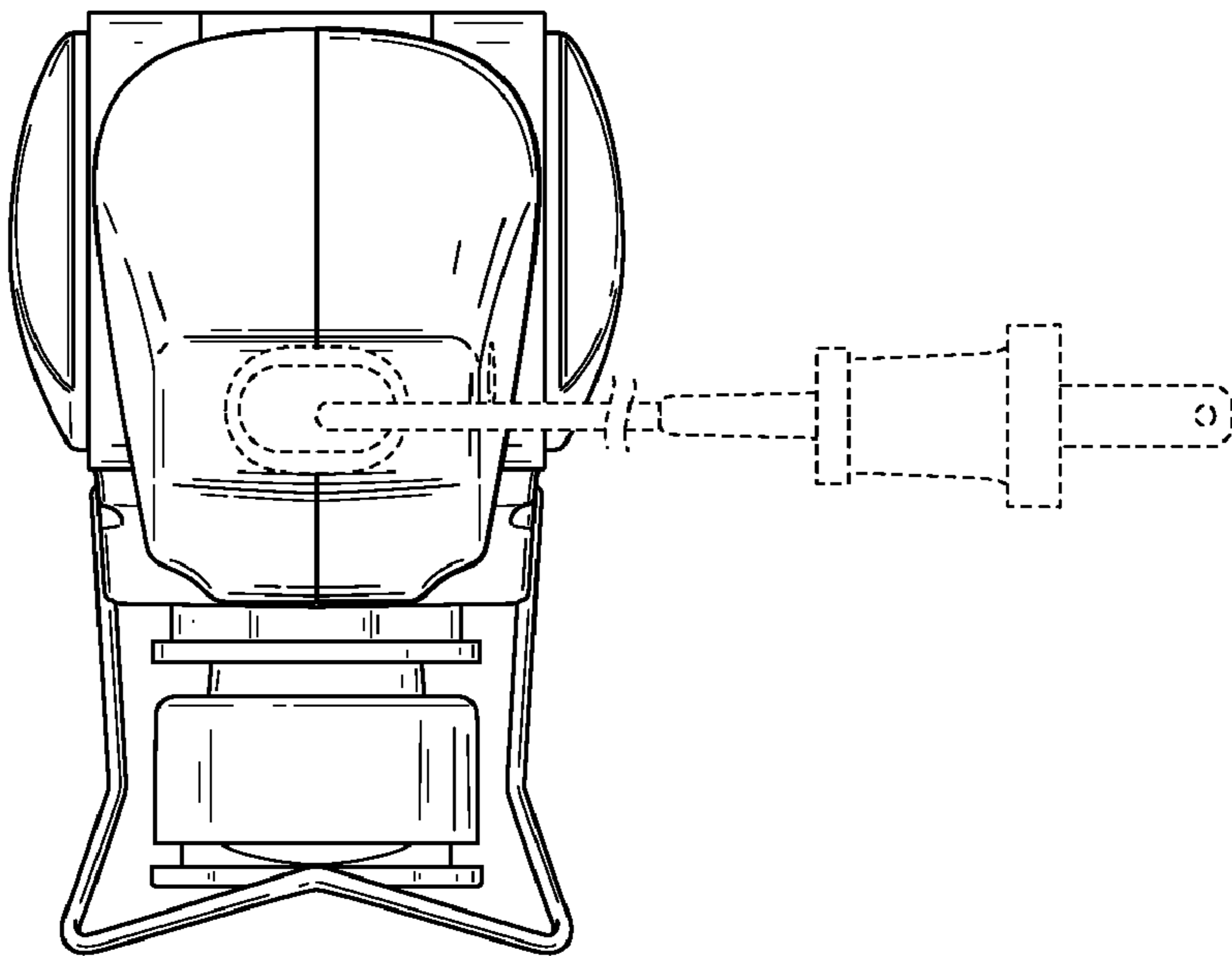


FIG. 7