



US00D595017S

(12) **United States Design Patent**
Baxter et al.

(10) **Patent No.:** **US D595,017 S**
(45) **Date of Patent:** **** Jun. 23, 2009**

(54) **HAND-HELD VACUUM CLEANER**

(75) Inventors: **Mark Baxter**, Newcastle Upon Tyne
(GB); **Andrew Walker**, Newton Hall
(GB)

(73) Assignee: **Black & Decker Inc.**, Newark, DE (US)

(**) Term: **14 Years**

(21) Appl. No.: **29/301,134**

(22) Filed: **Feb. 12, 2008**

(30) **Foreign Application Priority Data**

Aug. 13, 2007 (EM) 000772751

(51) **LOC (9) Cl.** **15-05**

(52) **U.S. Cl.** **D32/18**

(58) **Field of Classification Search** D32/17-18,
D32/21, 31; 15/329, 344, 320-322, 415.1,
15/420, 421, 422, 422.1, 339, 353, 1.51,
15/327.1, 327.2, 327.6, 327.7, 414, 398,
15/400

See application file for complete search history.

(56) **References Cited**

U.S. PATENT DOCUMENTS

D348,548 S * 7/1994 Pino D32/18
D379,691 S * 6/1997 Moine et al. D32/18

D512,803 S * 12/2005 Kendrick D32/18
D528,253 S * 9/2006 Wu et al. D32/18
D541,495 S * 4/2007 DiPasquale et al. D32/18
D552,309 S * 10/2007 Houghton D32/18
D569,060 S * 5/2008 Stratford D32/18
D569,061 S * 5/2008 Nardone D32/18
2006/0090289 A1 * 5/2006 Kuang 15/344
2007/0033765 A1 * 2/2007 Walker et al. 15/344

* cited by examiner

Primary Examiner—Ruth McInroy

(74) *Attorney, Agent, or Firm*—John Yun; Bruce S. Shapiro;
Wesley Muller

(57) **CLAIM**

The ornamental design for a hand-held vacuum cleaner, as shown and described.

DESCRIPTION

FIG. 1 is a front perspective view of a hand-held vacuum cleaner showing our new design;

FIG. 2 is a rear view thereof;

FIG. 3 is a front view thereof;

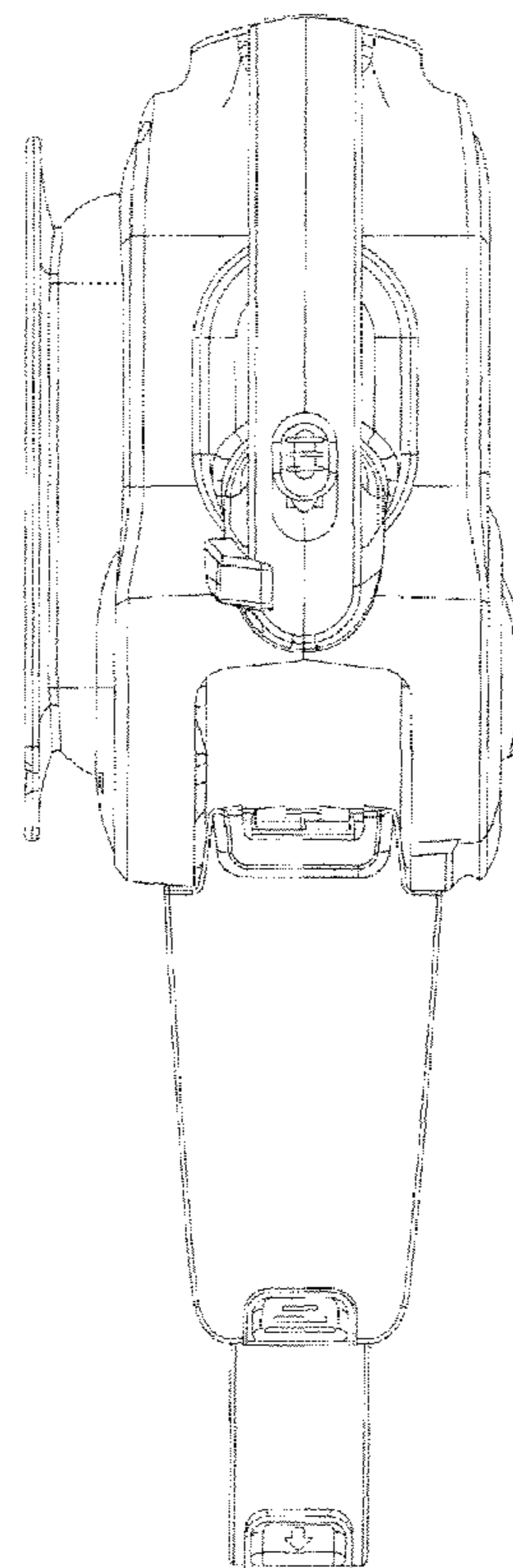
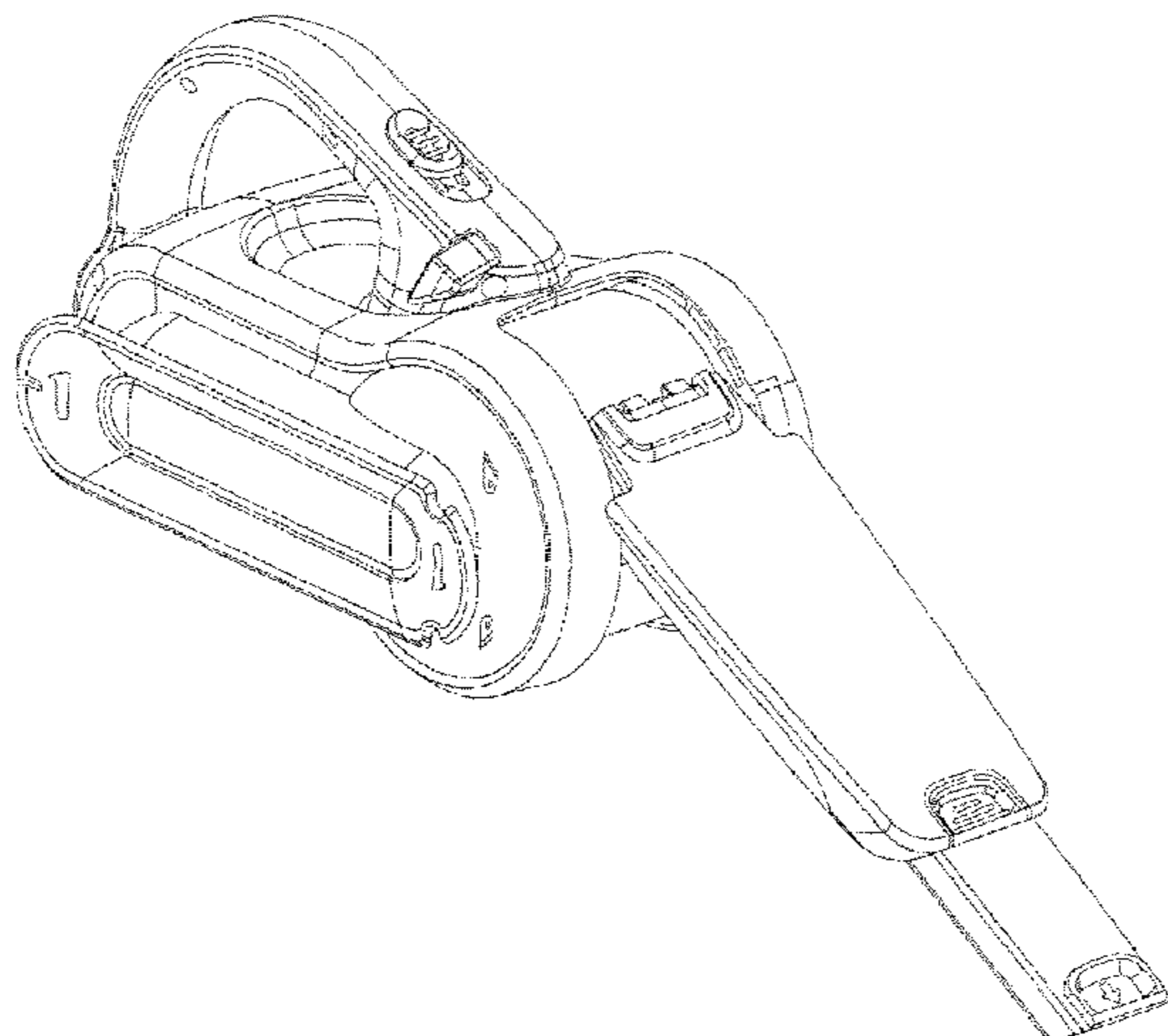
FIG. 4 is a top view thereof;

FIG. 5 is a bottom view thereof;

FIG. 6 is a right side view thereof; and,

FIG. 7 is a left side view thereof.

1 Claim, 7 Drawing Sheets



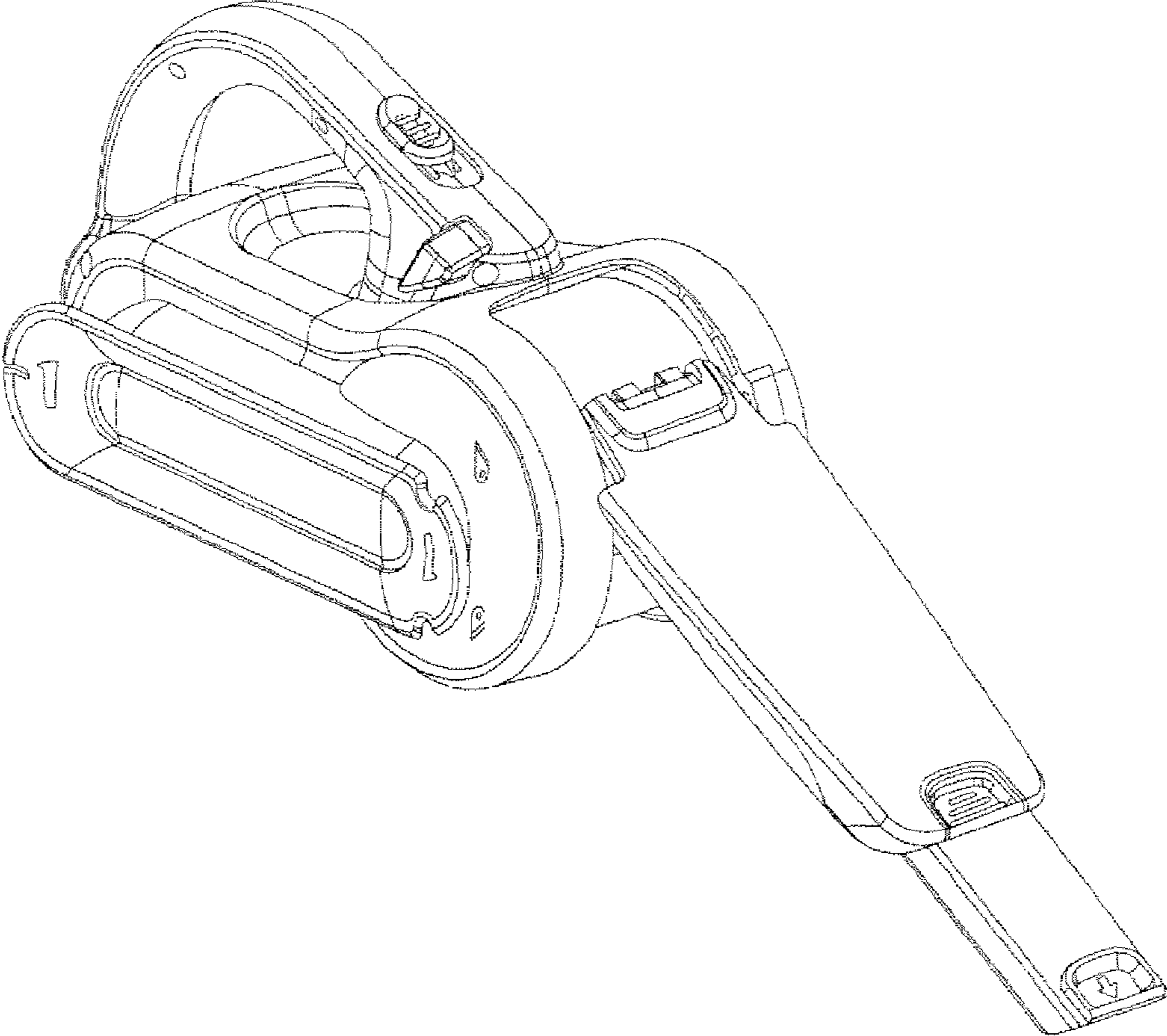


FIG. 1

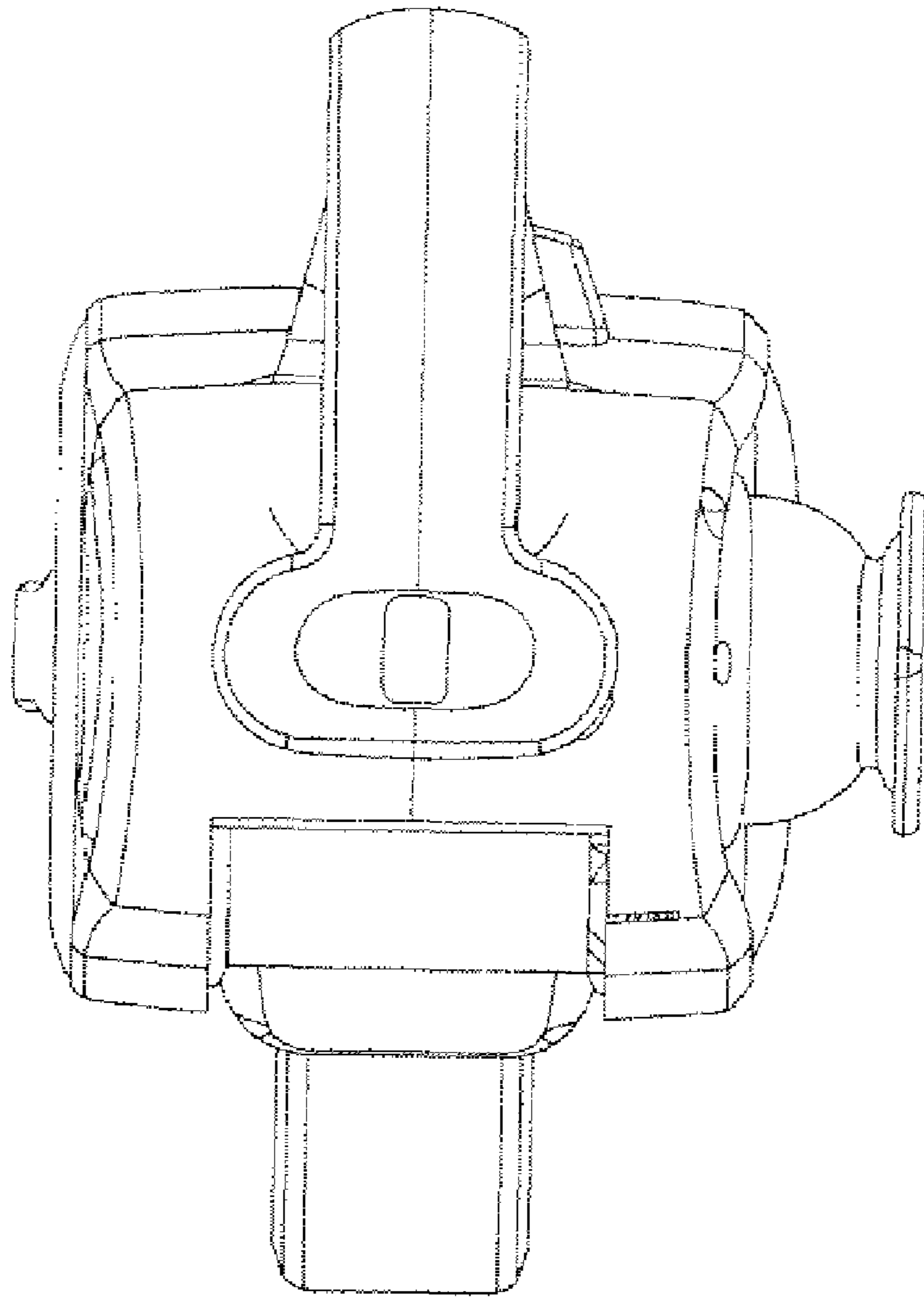


FIG. 2

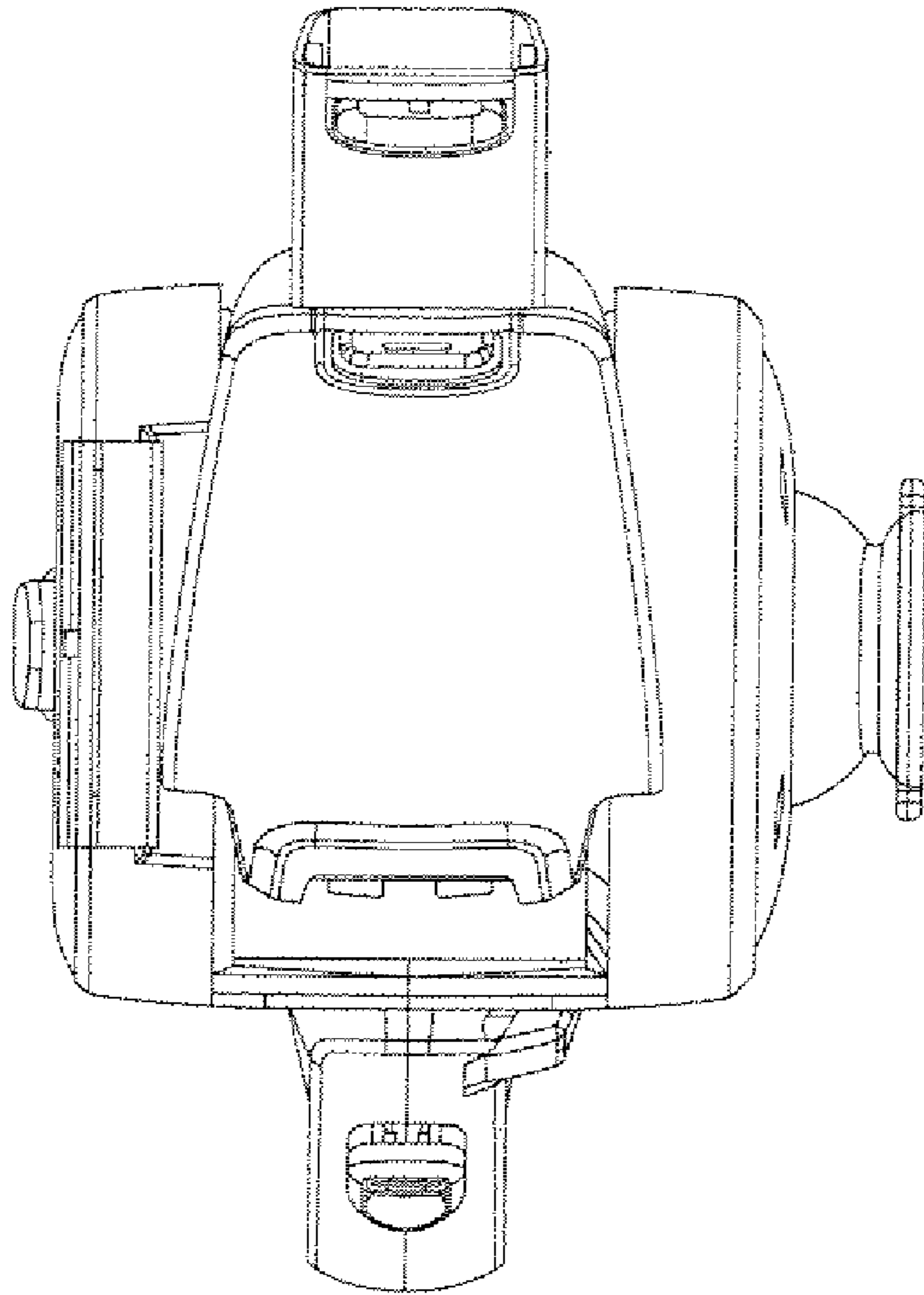


FIG. 3

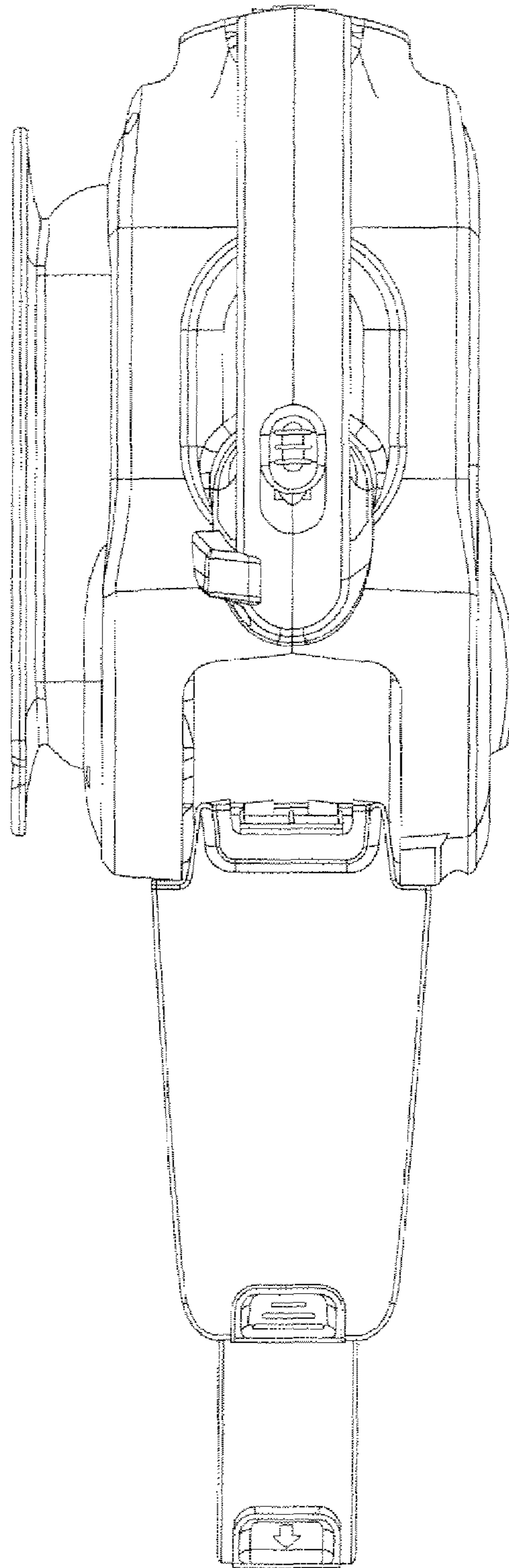


FIG. 4

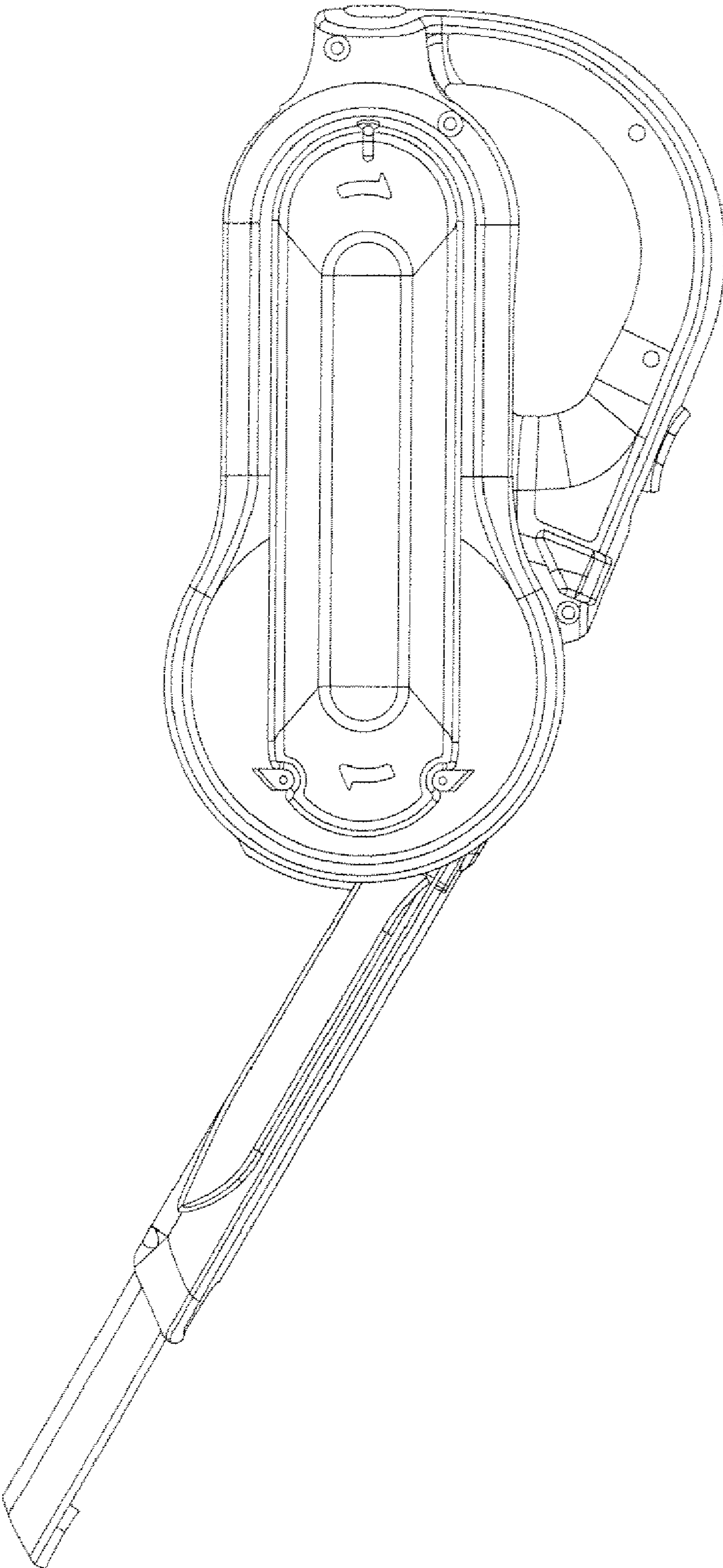


FIG. 5

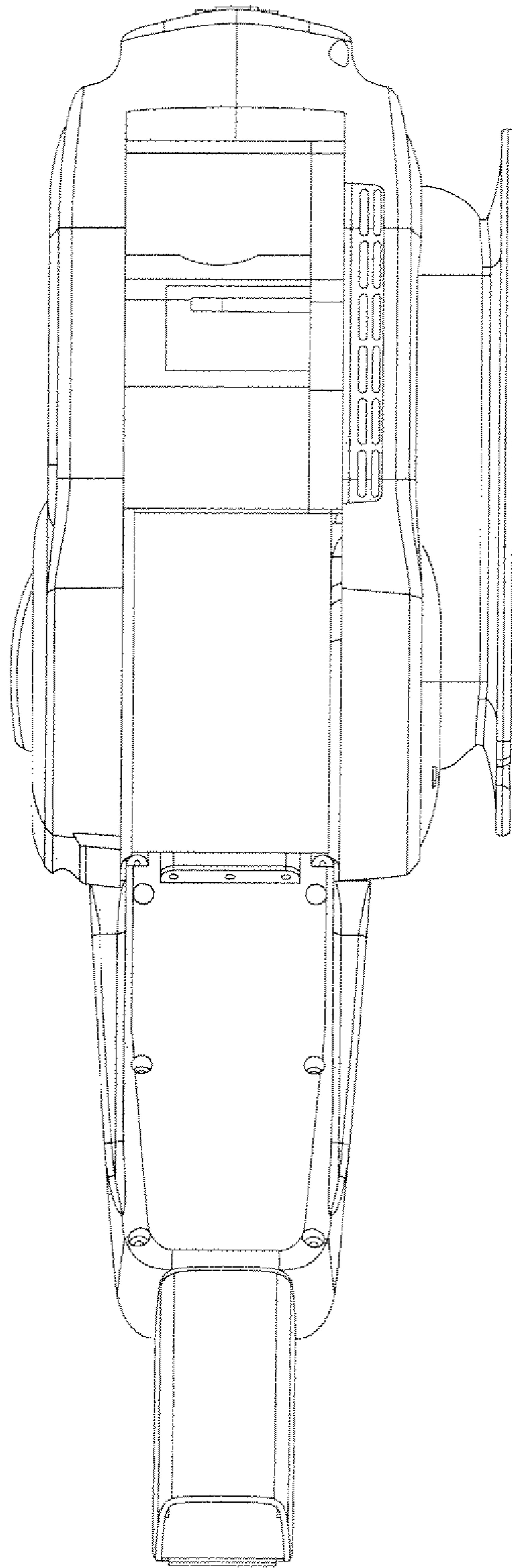


FIG. 6

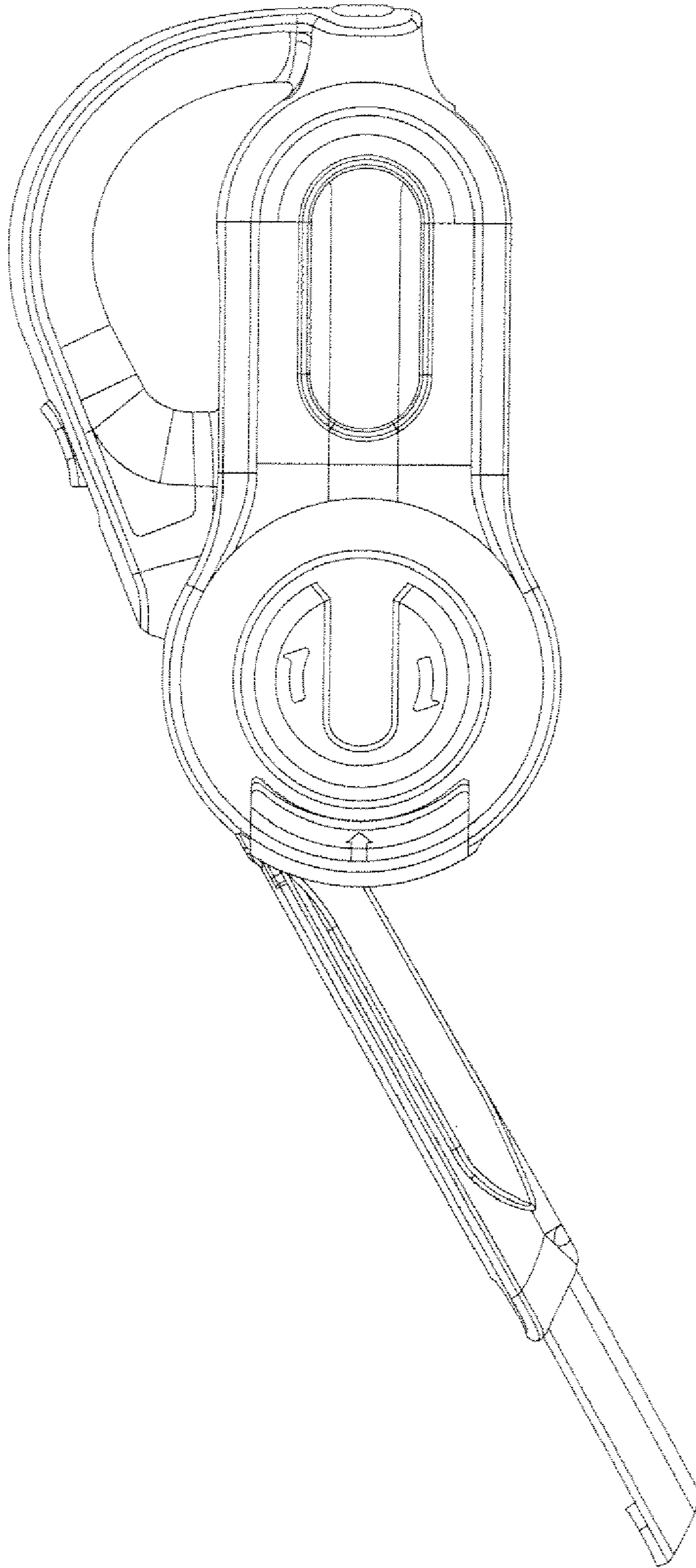


FIG. 7