



US00D595015S

(12) **United States Design Patent**
Lauretano

(10) **Patent No.:** **US D595,015 S**

(45) **Date of Patent:** **** Jun. 23, 2009**

(54) **BIRD FEEDER STAND**

(76) Inventor: **Mark Lauretano**, 21 Dugway Rd.,
Lakeville, CT (US) 06039

(**) Term: **14 Years**

(21) Appl. No.: **29/272,113**

(22) Filed: **Jan. 31, 2007**

(51) **LOC (9) Cl.** **30-03**

(52) **U.S. Cl.** **D30/133**

(58) **Field of Classification Search** D30/119,
D30/121, 124, 127, 133, 154, 160, 199, 158;
119/57.8, 68, 57.9, 51.5, 537, 468, 464, 531,
119/51.01, 786, 702, 706, 70, 52.2, 52.1,
119/69.5, 467, 469, 63, 712, 719, 708, 61,
119/52.3, 432, 428-430, 459-461, 475, 482,
119/484-486; 340/573.2, 573.3; 248/121,
248/125.1, 176.1, 188.7, 339, 125.8, 530,
248/200.1; 211/205, 78, 190, 182; 52/301,
52/726.3, 736.2; D25/100; D6/411, 419
See application file for complete search history.

(56) **References Cited**

U.S. PATENT DOCUMENTS

D175,292 S * 8/1955 Austgen D30/160
3,204,779 A * 9/1965 Warner 211/190
4,441,457 A * 4/1984 Sanford 119/57.9
4,627,384 A * 12/1986 Courteau 119/537
D292,334 S * 10/1987 Courteau D30/119

4,819,584 A * 4/1989 Rozumek 119/51.01
5,355,835 A * 10/1994 Freed 119/57.9
5,819,689 A * 10/1998 Simon 119/537
D427,732 S * 7/2000 Corletta D30/124
6,311,641 B1 * 11/2001 Johnson 119/57.8
D469,586 S * 1/2003 McGinn et al. D30/119
D476,117 S * 6/2003 Nicholas D30/133

FOREIGN PATENT DOCUMENTS

CA 2057378 * 4/1993

* cited by examiner

Primary Examiner—Susan Moon Lee

(74) *Attorney, Agent, or Firm*—Carmody & Torrance LLP

(57) **CLAIM**

The ornamental design for a bird feeder stand, as shown and described.

DESCRIPTION

FIG. 1 is a front perspective view of a bird feeder stand showing my new design;

FIG. 2 is a side perspective view thereof;

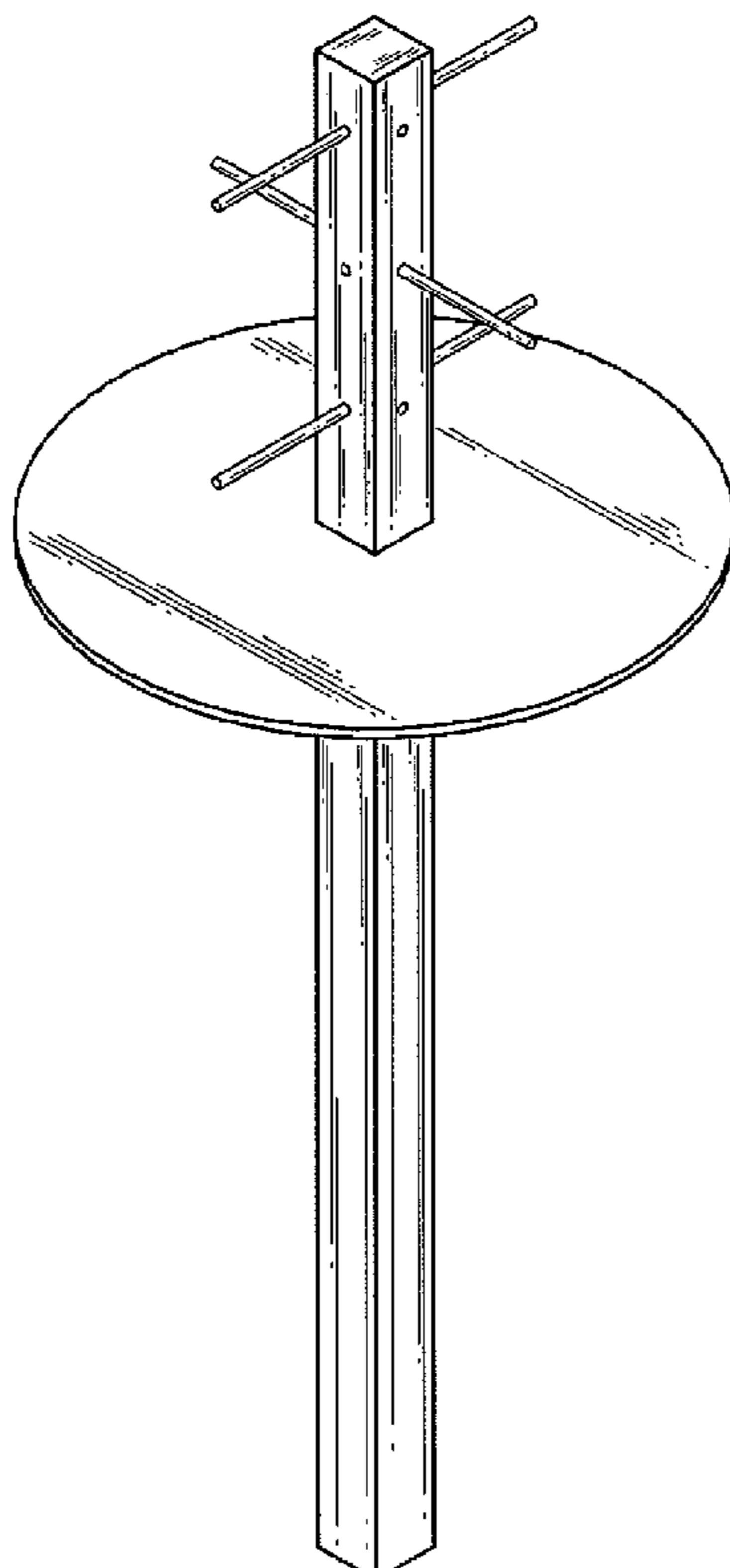
FIG. 3 is a top plan view thereof;

FIG. 4 is a bottom view thereof;

FIG. 5 is a front elevation view of the bird feeder stand, the rear being identical; and,

FIG. 6 is a left side elevation view of the bird feeder stand, the right side view being identical.

1 Claim, 3 Drawing Sheets



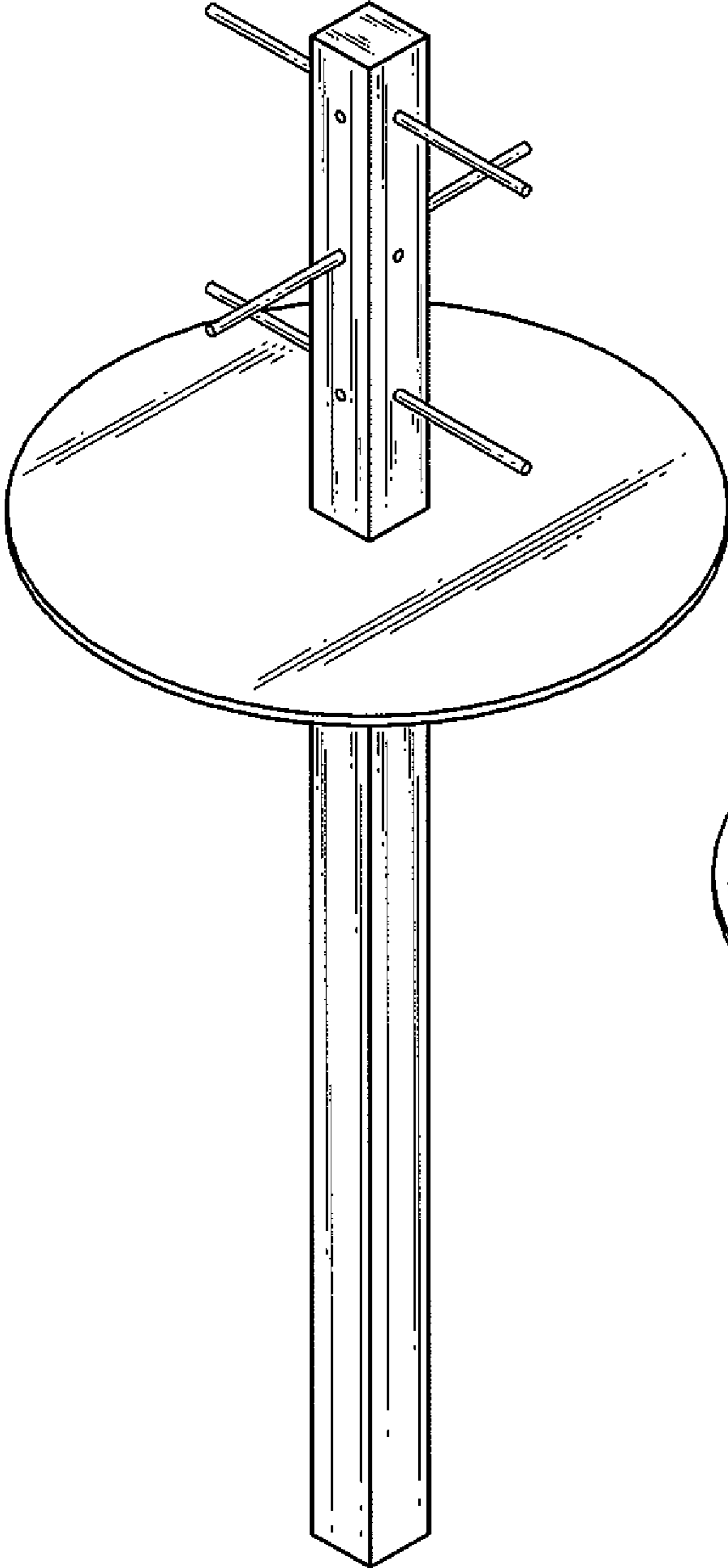


FIG. 1

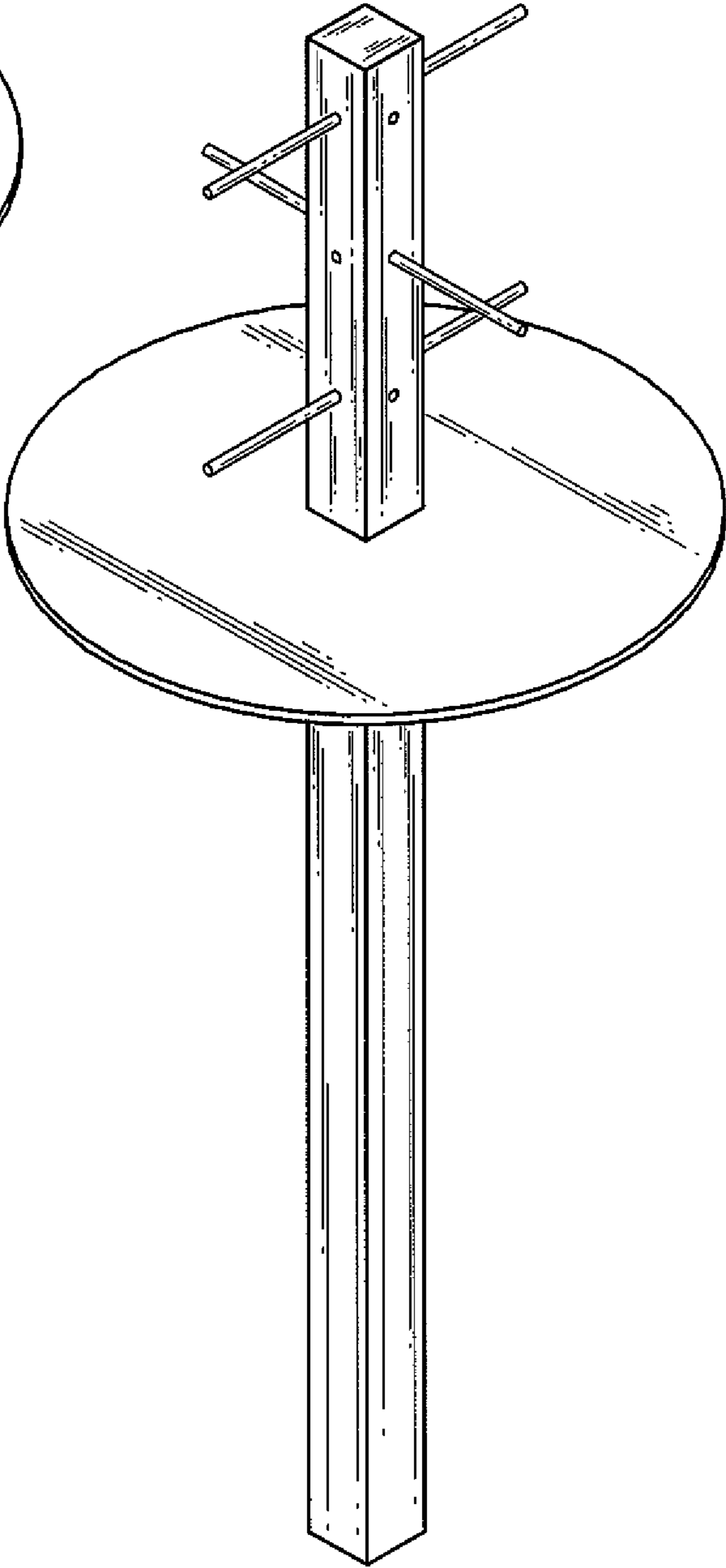


FIG. 2

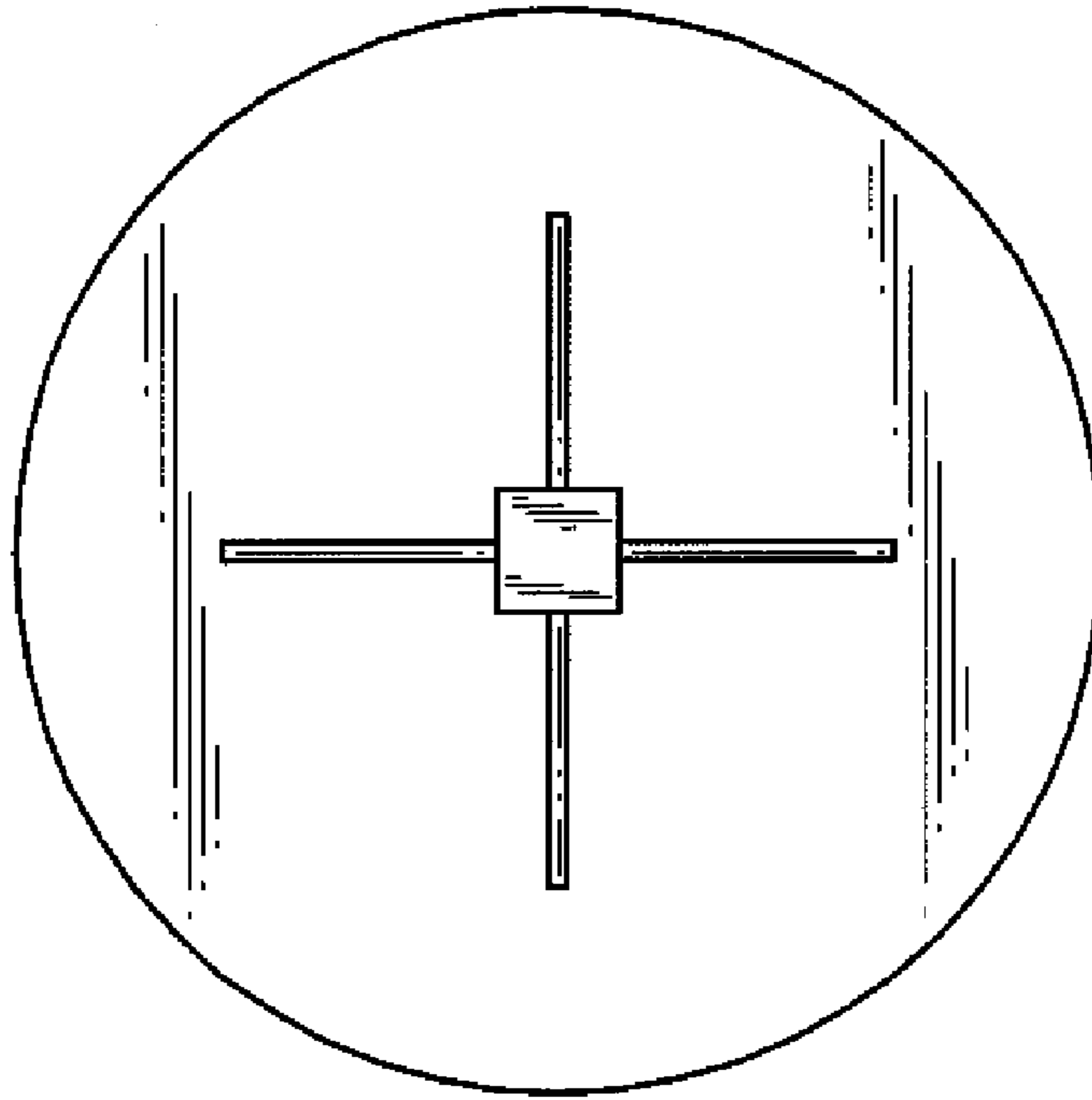


FIG. 3

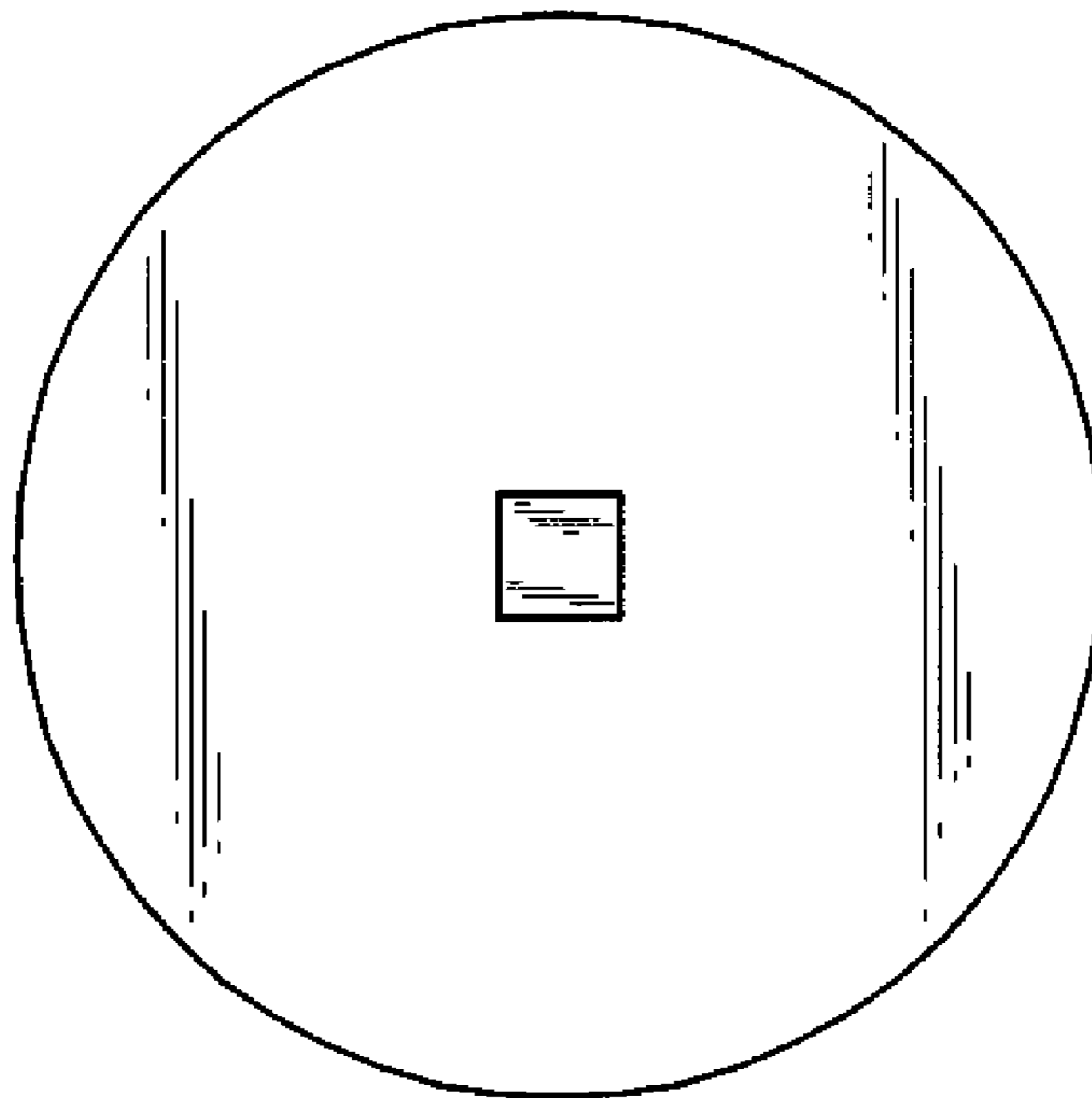


FIG. 4

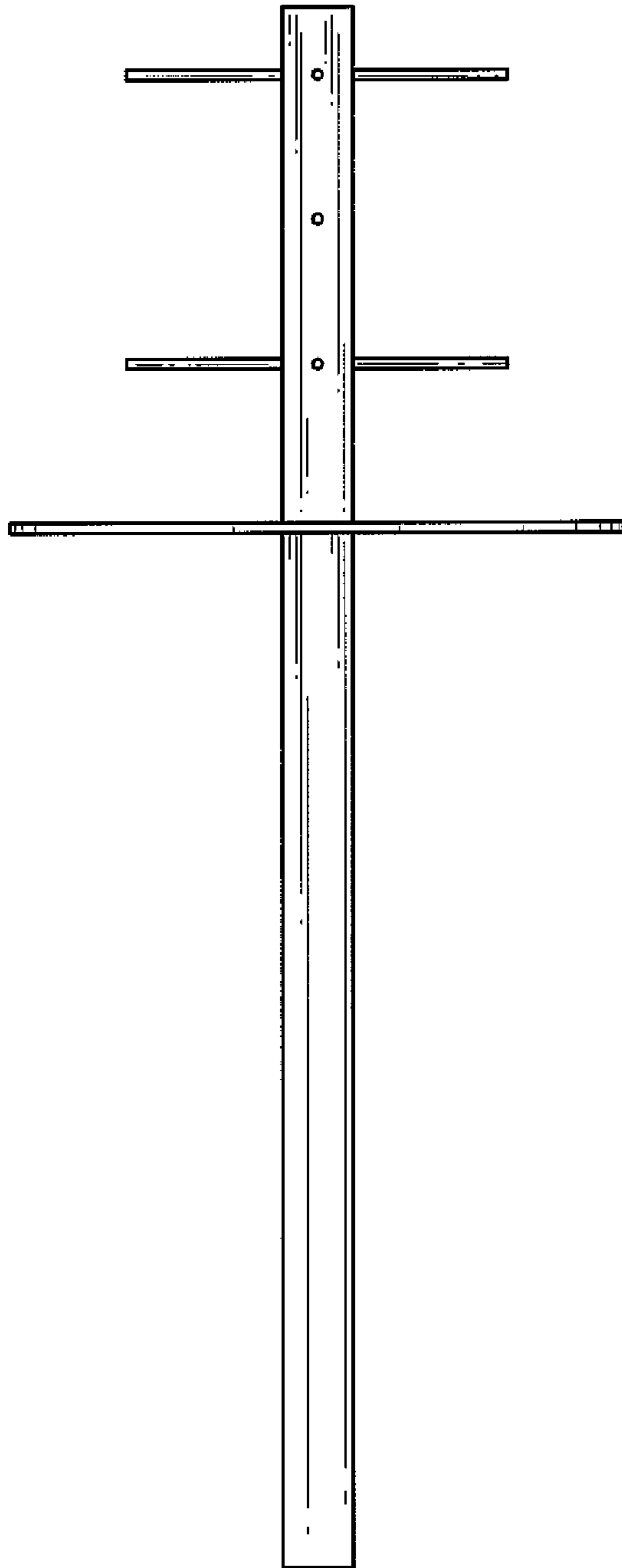


FIG. 5

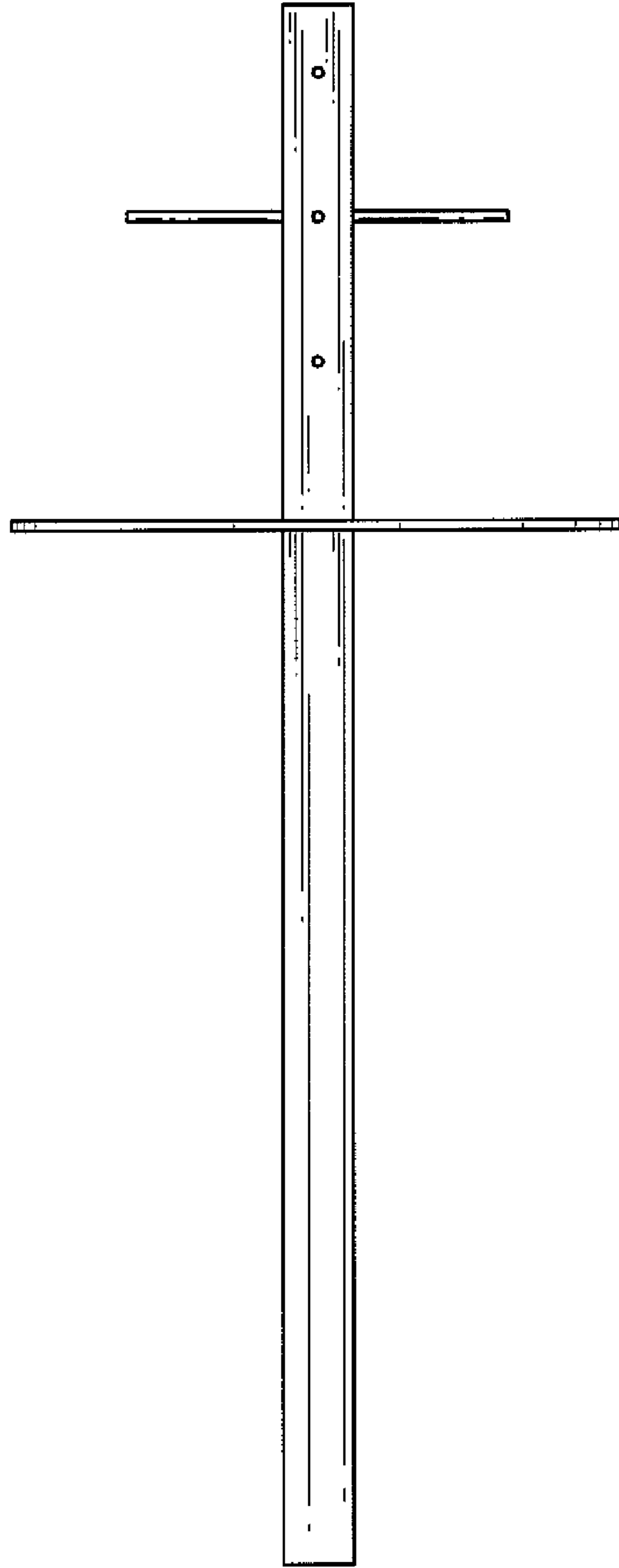


FIG. 6