



US00D595011S

(12) **United States Design Patent**  
**Scott**

(10) **Patent No.:** **US D595,011 S**  
(45) **Date of Patent:** **\*\* Jun. 23, 2009**

(54) **HORIZONTAL FIN LED LAMP FIXTURE**

(75) Inventor: **Keith Scott**, Sunnyvale, CA (US)

(73) Assignee: **BridgeLux, Inc.**, Sunnyvale, CA (US)

(\*\*) Term: **14 Years**

(21) Appl. No.: **29/320,463**

(22) Filed: **Jun. 27, 2008**

(51) **LOC (9) Cl.** ..... **26-99**

(52) **U.S. Cl.** ..... **D26/138**

(58) **Field of Classification Search** ..... D26/2,  
D26/36, 42, 37, 113, 119, 138, 153, 154,  
D26/124, 24, 26, 38, 41, 49, 50, 142, 152,  
D26/60, 61, 70, 72, 74, 85, 86, 93, 140, 136,  
D26/118, 120, 128, 129, 130, 133, 134, 135;  
362/101, 396, 267, 145, 147, 148, 218, 257,  
362/285, 373, 441, 800; D24/201; D13/179,  
D13/180; 248/339

See application file for complete search history.

(56) **References Cited**

**U.S. PATENT DOCUMENTS**

2,043,193 A \* 6/1936 Klein et al. .... 362/355  
3,023,264 A \* 2/1962 Allison ..... 174/395  
D211,670 S \* 7/1968 Maier ..... D26/65  
3,833,804 A \* 9/1974 Vesely ..... 362/291

D290,754 S \* 7/1987 Kira ..... D26/24  
D297,671 S \* 9/1988 Groh ..... D26/63  
4,841,422 A \* 6/1989 Groh ..... 362/294  
D307,461 S \* 4/1990 Kim ..... D23/209  
D397,482 S \* 8/1998 Binsukor ..... D26/85  
D400,278 S \* 10/1998 Binsukor ..... D26/67  
6,330,908 B1 \* 12/2001 Lee et al. .... 165/185  
D541,958 S \* 5/2007 Holldorff ..... D26/24  
D550,391 S \* 9/2007 Cesaro ..... D26/89

\* cited by examiner

*Primary Examiner*—Cathron C Brooks

*Assistant Examiner*—Kevin K Rudzinski

(74) *Attorney, Agent, or Firm*—Haynes and Boone, LLP

(57) **CLAIM**

The ornamental design for a horizontal fin LED lamp fixture, as shown and described.

**DESCRIPTION**

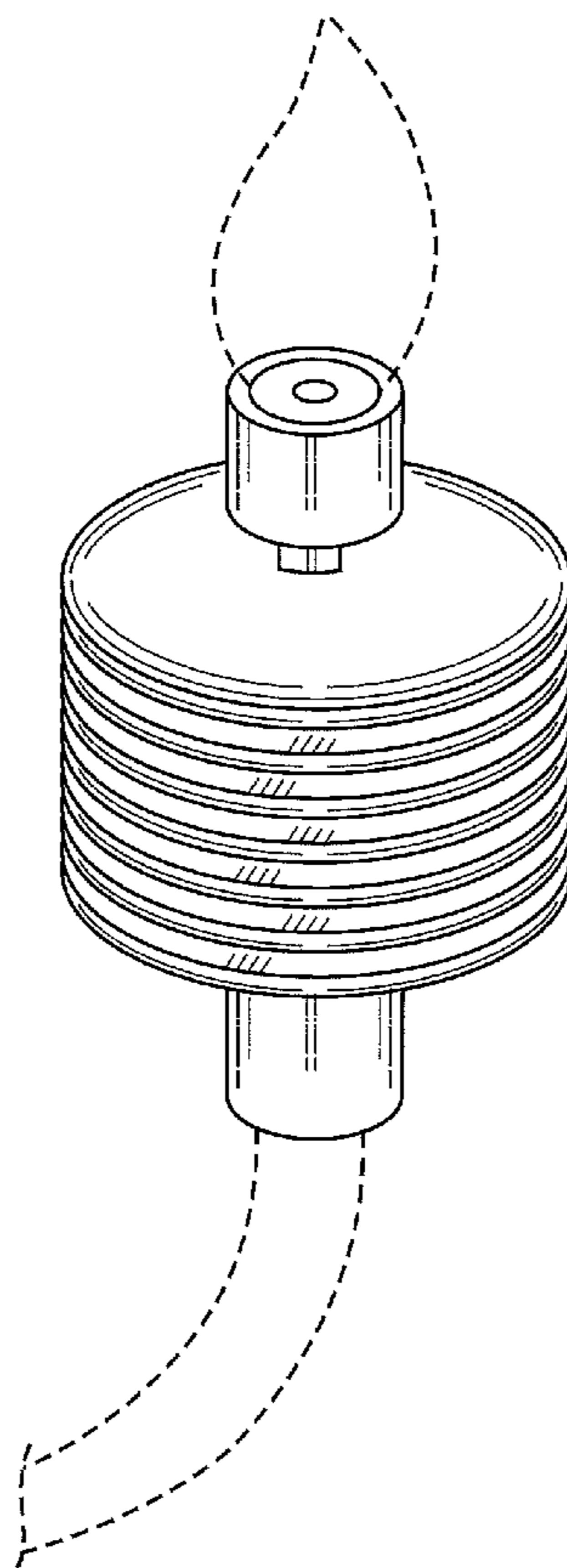
FIG. 1 is a front perspective view of a horizontal fin LED lamp fixture showing my new design;

FIG. 2 is a left side elevational view thereof; and,

FIG. 3 is a top plan view thereof.

The dashed lines in FIGS. 1 and 2 are for illustrative purposes and form no part of the claimed design.

**1 Claim, 2 Drawing Sheets**



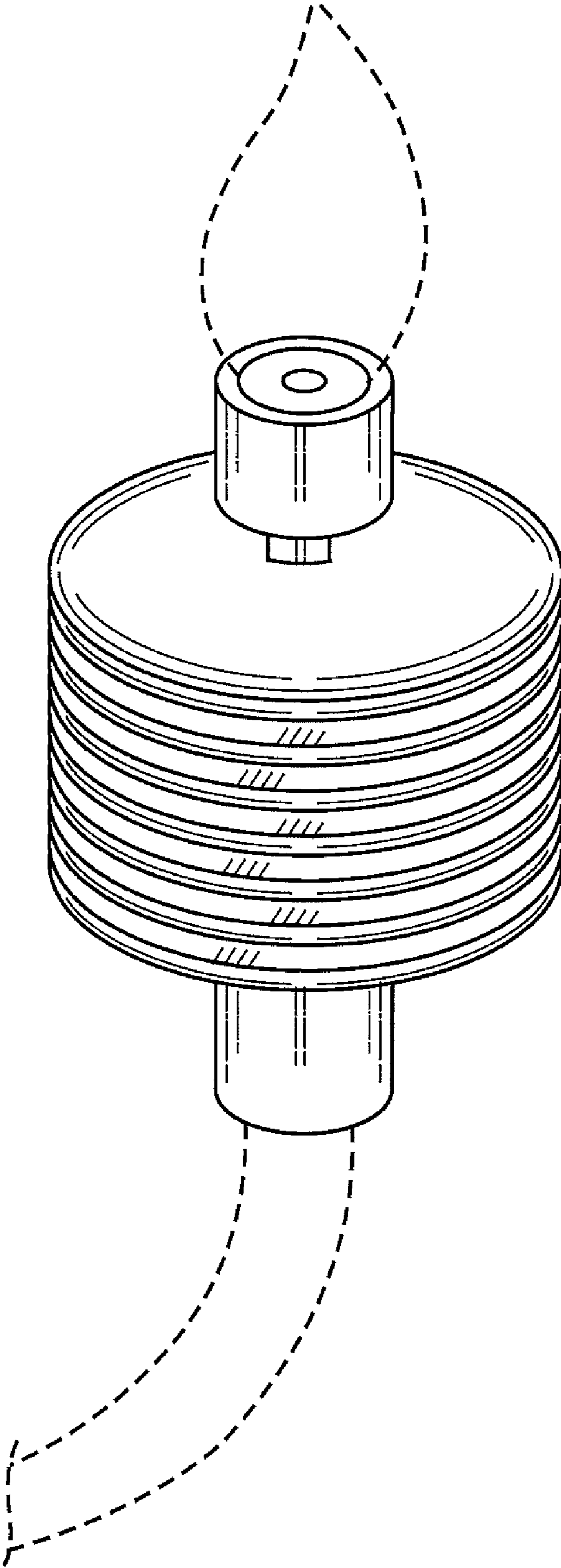


FIG. 1

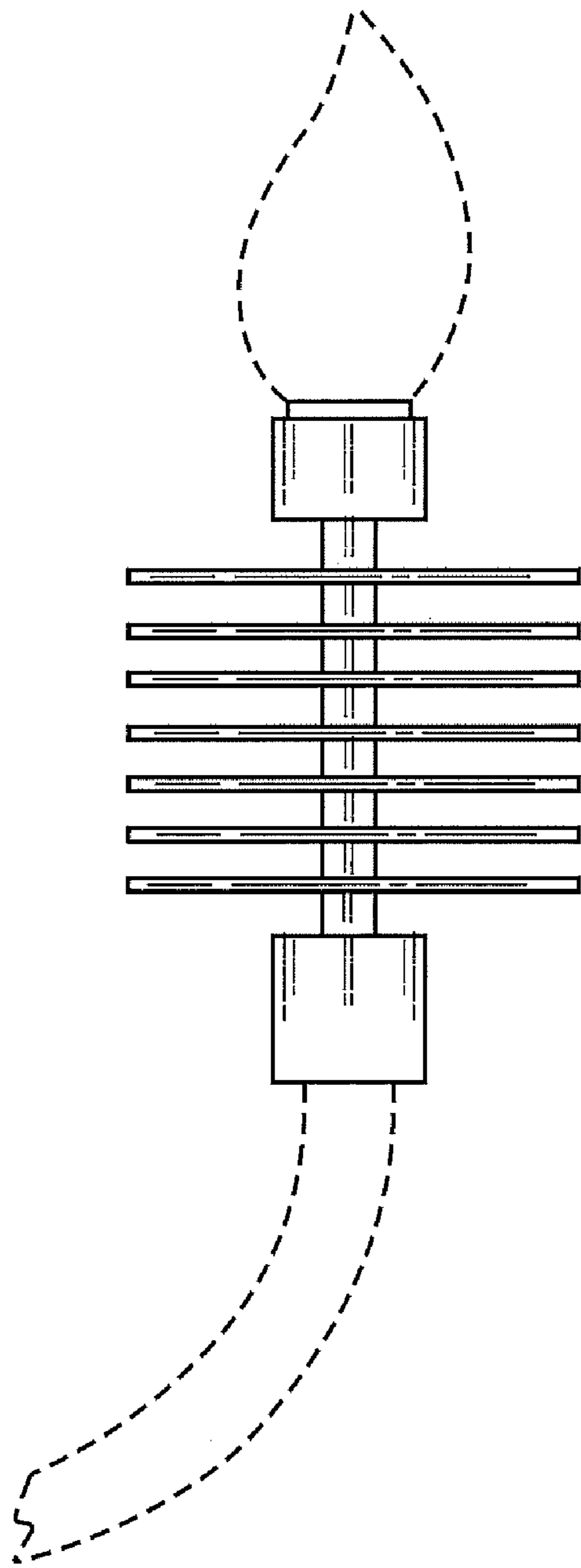


FIG. 2

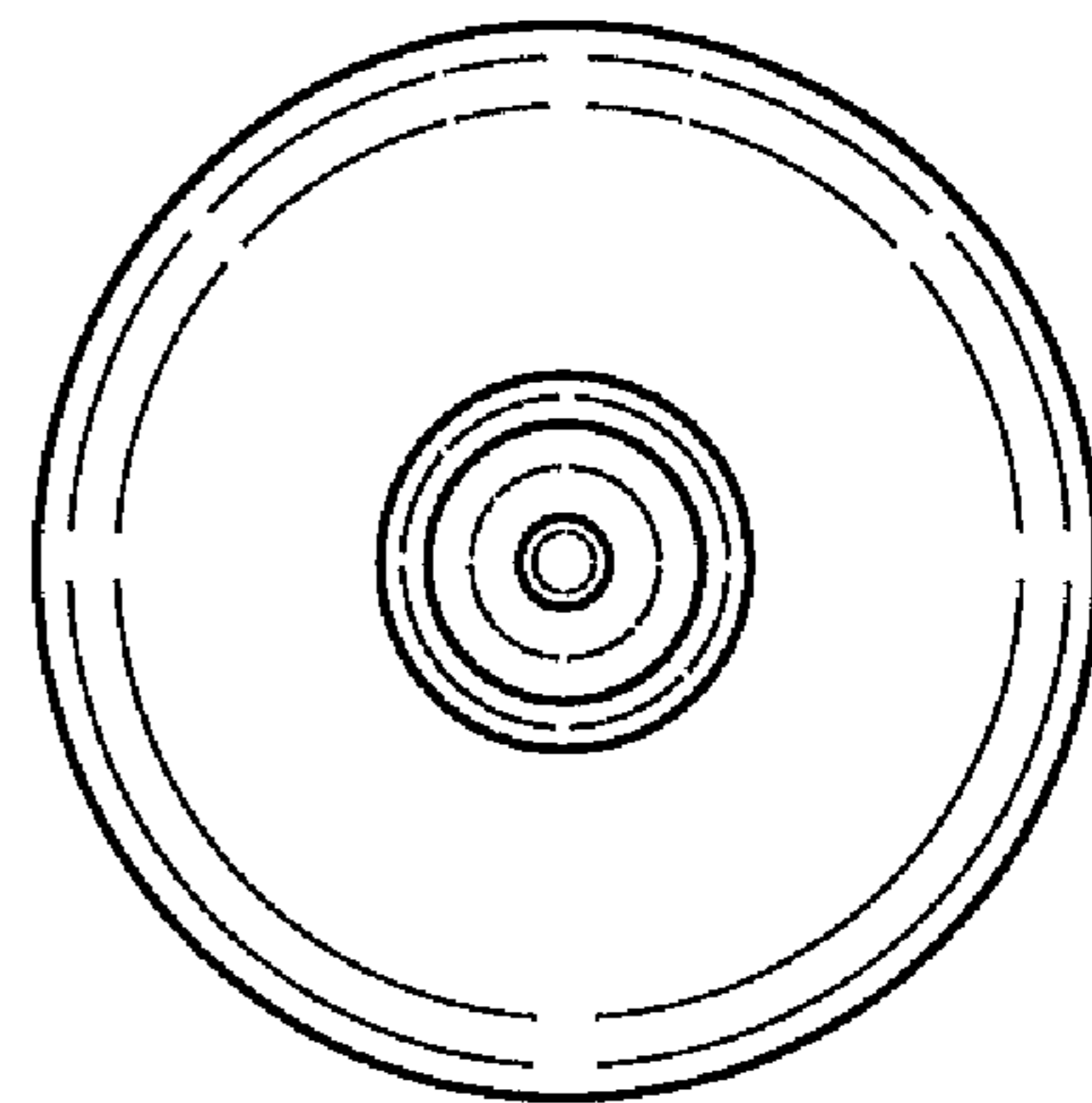


FIG. 3