



US00D595010S

(12) **United States Design Patent**
Smith et al.

(10) **Patent No.:** **US D595,010 S**
(45) **Date of Patent:** **** Jun. 23, 2009**

(54) **FIXTURE SUPPORT**

(75) Inventors: **Michael S. Smith**, Santa Monica, CA (US); **William C. McKeone**, Sheboygan, WI (US)

(73) Assignee: **Kohler Co.**, Kohler, WI (US)

(**) Term: **14 Years**

(21) Appl. No.: **29/306,547**

(22) Filed: **Apr. 10, 2008**

(51) **LOC (9) Cl.** **26-99**

(52) **U.S. Cl.** **D26/138**

(58) **Field of Classification Search** D26/67,
D26/2, 68, 87, 145, 155, 141, 138, 142, 92,
D26/24, 72, 85, 86, 88, 93, 111, 113, 143,
D26/144, 147, 149, 150, 152, 153; 362/612,
362/145, 147, 151, 153, 153.1, 257, 296,
362/311, 351, 370, 382, 410, 414, 431, 432
See application file for complete search history.

(56) **References Cited**

U.S. PATENT DOCUMENTS

D65,207 S *	7/1924	Wolter	D26/87
D70,402 S *	6/1926	Chappell	D26/87
D72,714 S *	5/1927	Lipschutz	D26/87
D367,335 S *	2/1996	Kay	D26/92
D380,851 S *	7/1997	Dolan	D26/92
D436,420 S *	1/2001	Hidalgo	D26/142
D441,125 S *	4/2001	Crosby	D26/87
D461,594 S *	8/2002	De'Armond	D26/155
D487,530 S *	3/2004	Hsu	D26/92
D487,815 S *	3/2004	Hoernig	D26/87
6,793,383 B2 *	9/2004	Wu	362/405
D506,849 S *	6/2005	Parres	D26/145
D526,434 S *	8/2006	Tien et al.	D26/92
D534,297 S *	12/2006	Chen	D26/87
D535,427 S *	1/2007	Chandler	D26/87

OTHER PUBLICATIONS

Bellacor. "Modern Simplicity—1-Light Wall Sconce—Oil Rubbed Bronze". Bellacor No. 219329. Bellacor.com online catalog. Copyright 2000-2008 Bellacor.com Inc.
Rite Lite. "Wireless LED Wall Sconce". Model No. LPL780C. Lighting Direct.com online catalog.
Bellacor. "Isabella 'One-Light Wall Sconce". Bellacor No. 62093. Bellacor.com online catalog. Copyright 2000-2008 Bellacor.com Inc.
Bellacor. "One-Light Wall Sconce". Bellacor No. 56952. Bellacor.com online catalog. Copyright 2000-2008 Bellacor.com Inc.

* cited by examiner

Primary Examiner—Cathron C Brooks
Assistant Examiner—Kevin K Rudzinski
(74) *Attorney, Agent, or Firm*—Quarles & Brady LLP

(57) **CLAIM**

The ornamental design for a fixture support, as shown and described.

DESCRIPTION

In a preferred embodiment, the nature of this product is a fixture support such as in a support useful in a wall mountable lighted sconce.

FIG. 1 is a right, top, front perspective view of a fixture support according to our new design;

FIG. 2 is a front elevational view thereof shown with light shade environment partially removed for clarity;

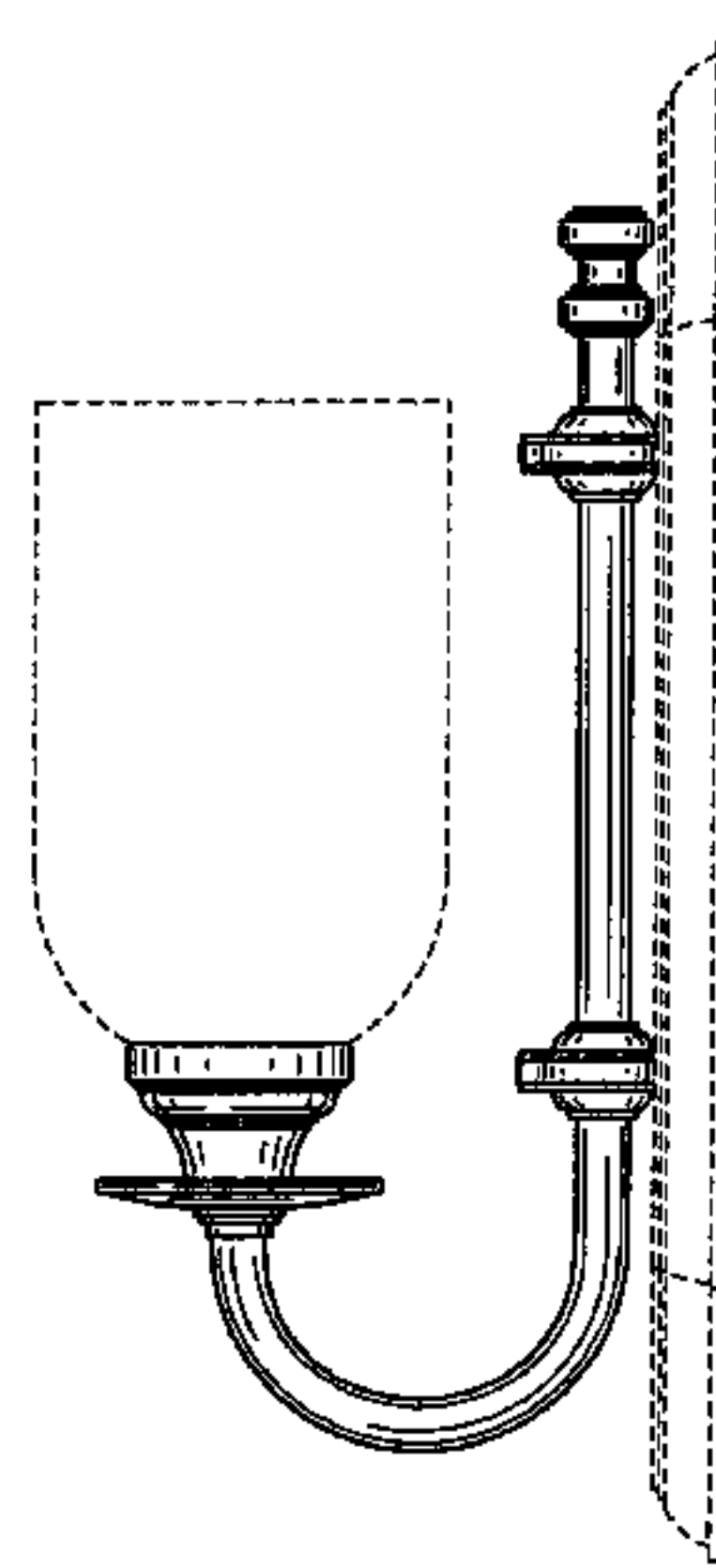
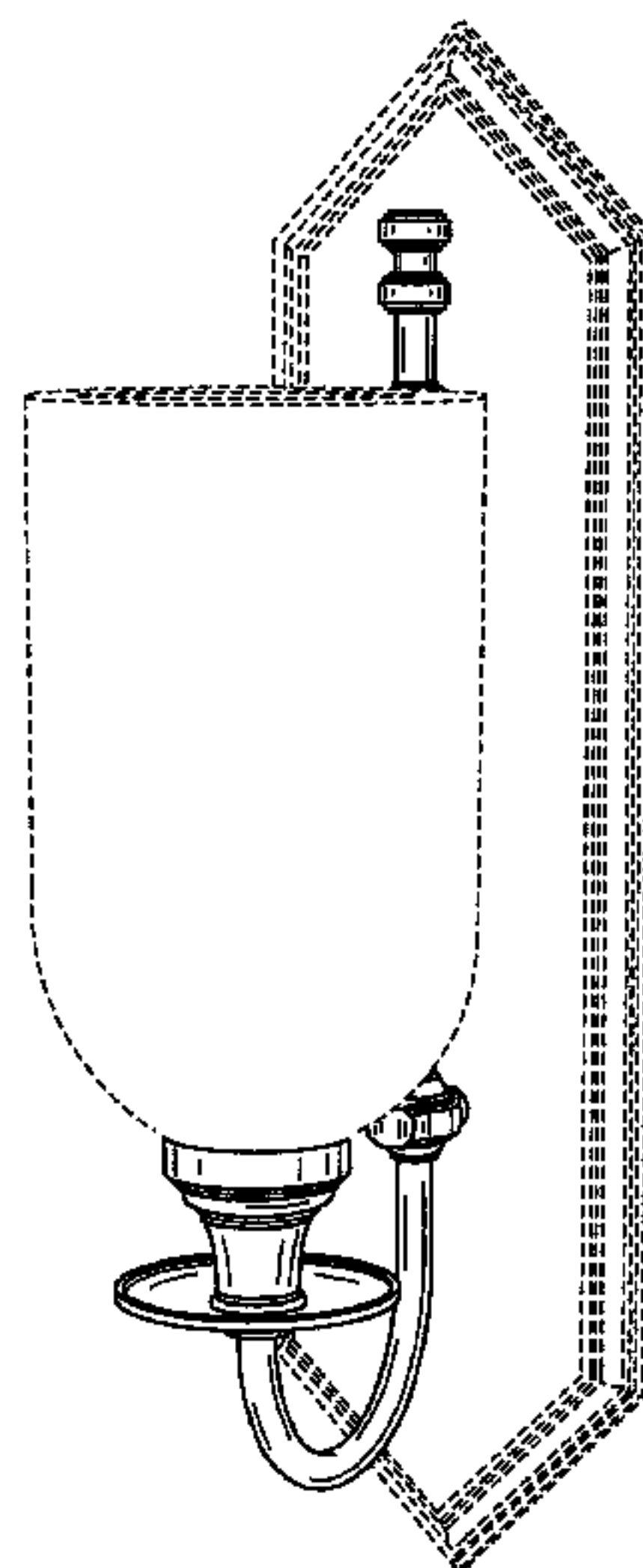
FIG. 3 is a right side elevational view thereof, the left side elevational view thereof being a mirror image of the right side shown;

FIG. 4 is a top plan view thereof; and,

FIG. 5 is a bottom plan view thereof.

The broken line representations in the figures are for the purpose of illustration only, and form no part of the claimed design.

1 Claim, 3 Drawing Sheets



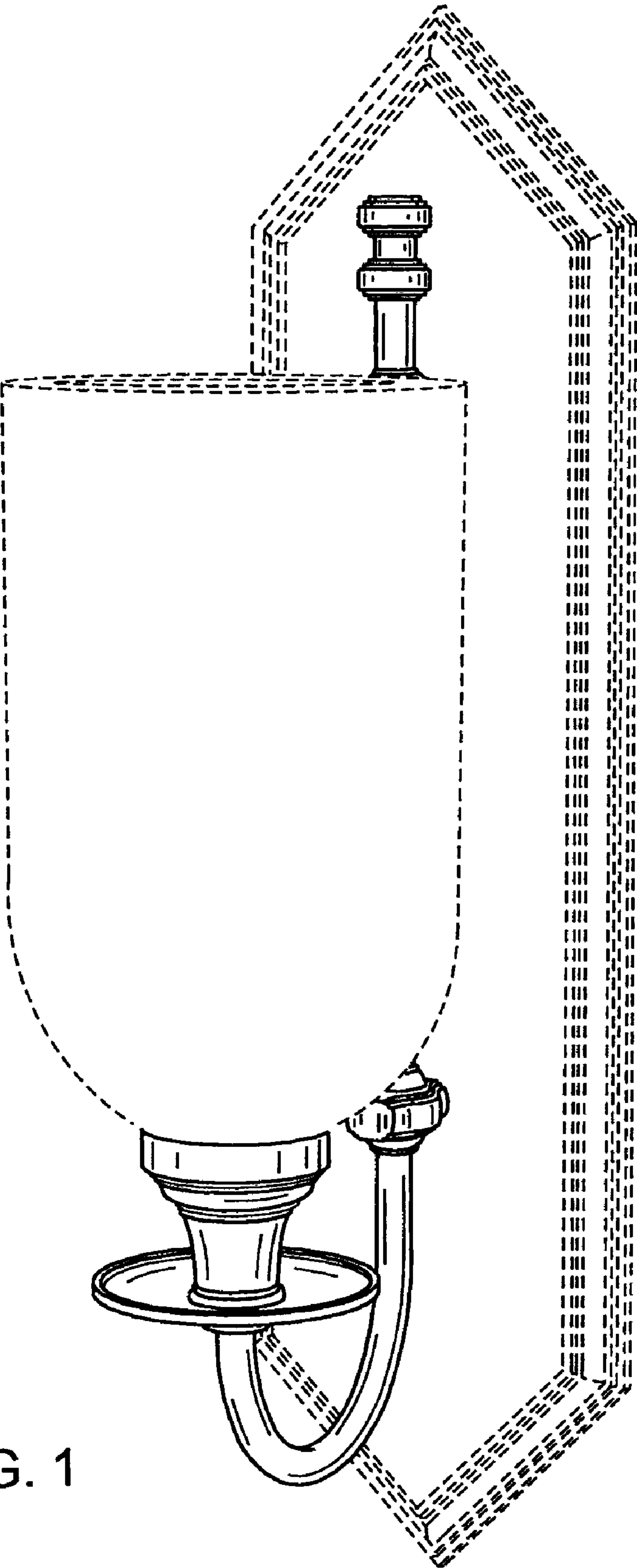


FIG. 1

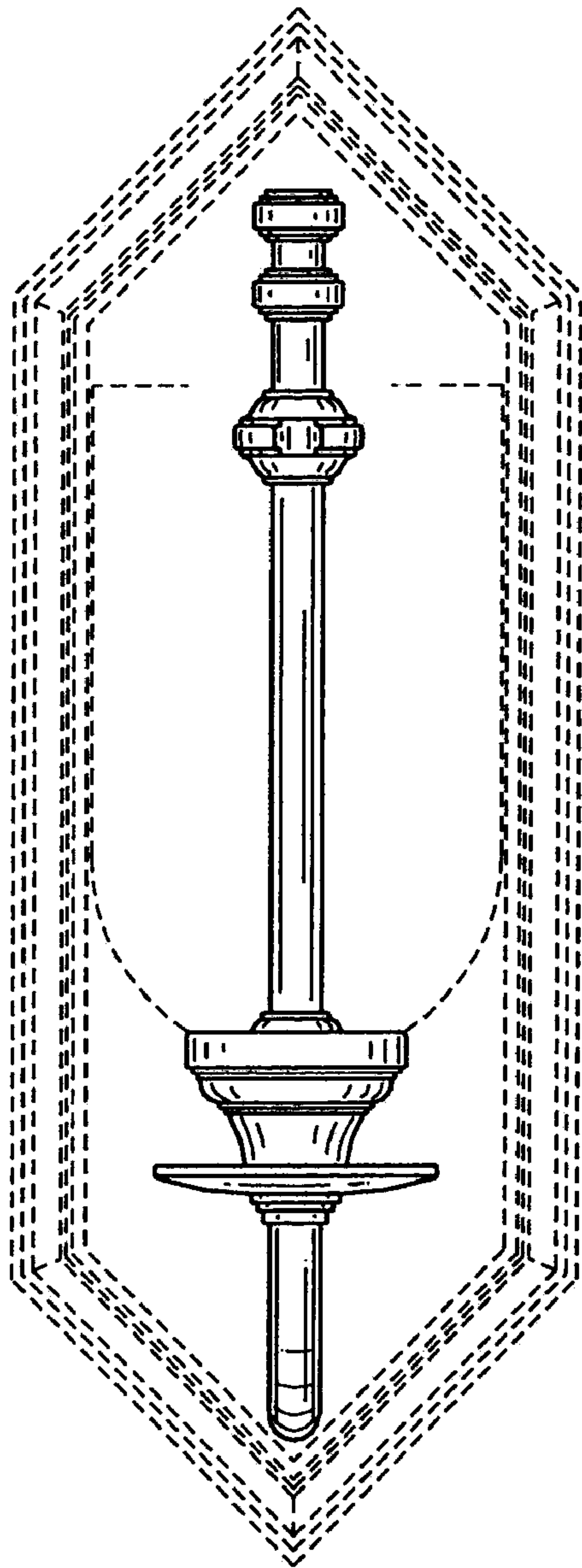


FIG. 2

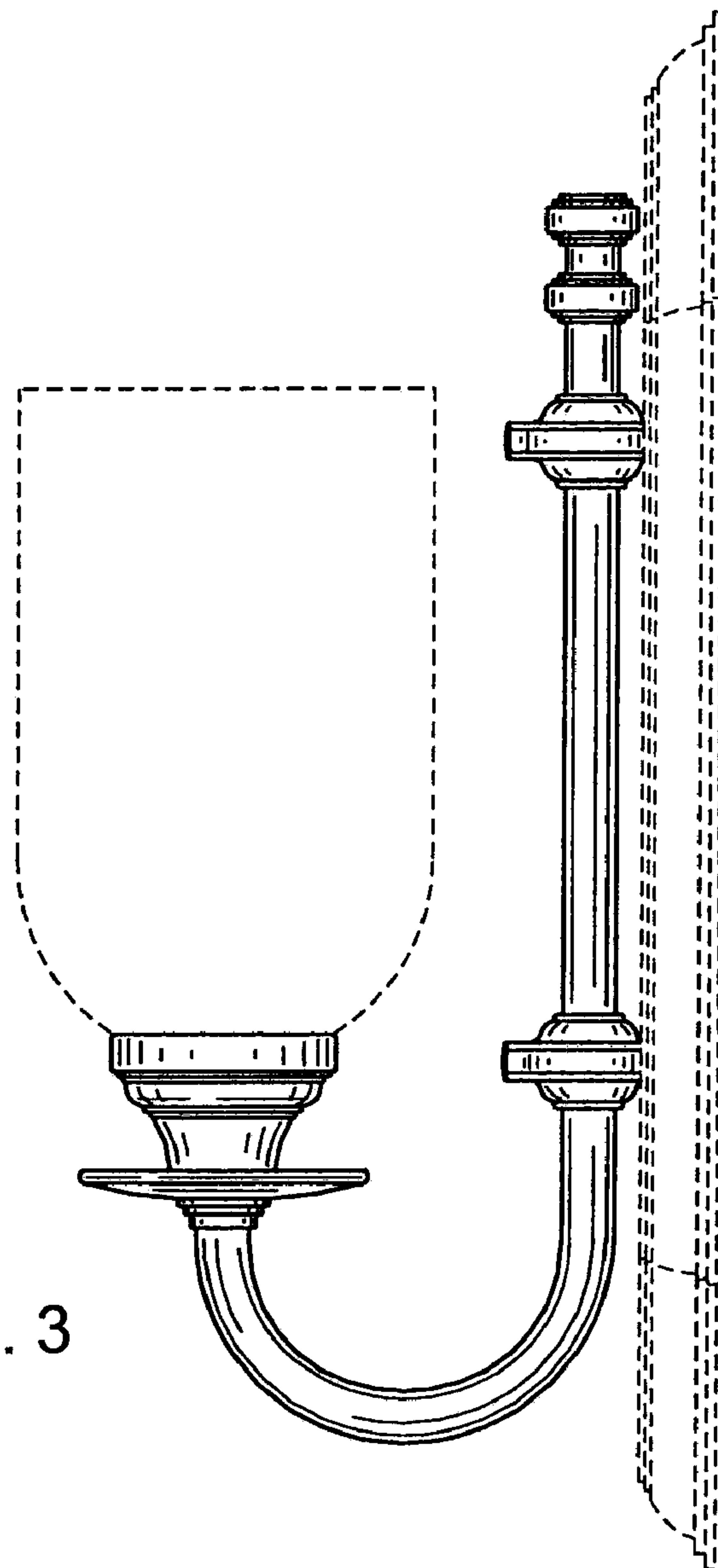


FIG. 3

FIG. 4

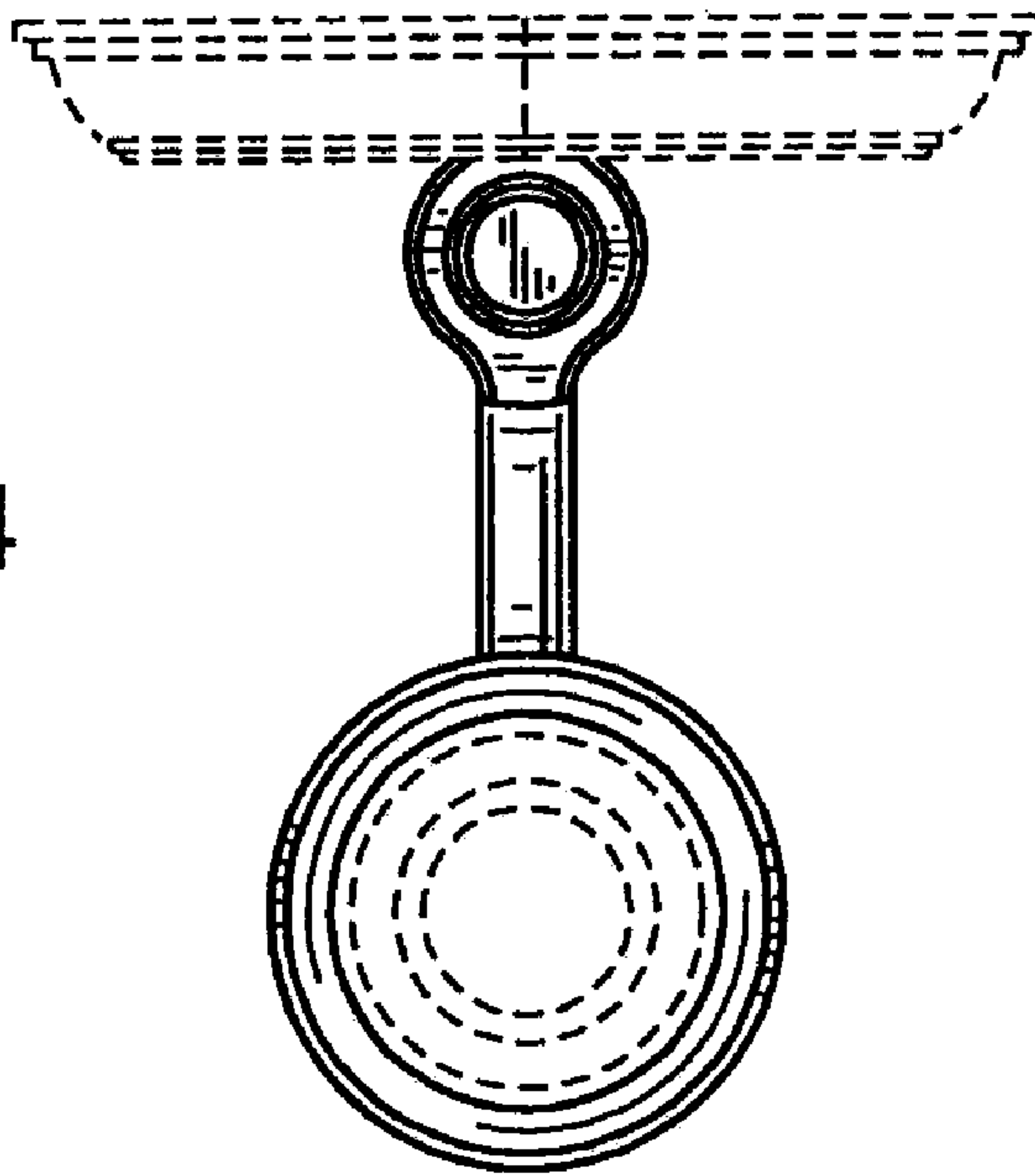


FIG. 5

