



US00D595008S

(12) **United States Design Patent**
Starck

(10) **Patent No.:** **US D595,008 S**

(45) **Date of Patent:** **** Jun. 23, 2009**

(54) **TABLE LAMP**

D464,760 S * 10/2002 Hsu D26/98
D498,324 S * 11/2004 Dolan D26/106

(75) Inventor: **Philippe Starck**, Paris (FR)

* cited by examiner

(73) Assignee: **FLOS S.p.A.**, Bovezzo (Brescia) (IT)

Primary Examiner—Brian N Vinson

(**) Term: **14 Years**

(74) *Attorney, Agent, or Firm*—McGlew and Tuttle, P.C.

(21) Appl. No.: **29/284,076**

(57) **CLAIM**

(22) Filed: **Aug. 30, 2007**

The ornamental design for a table lamp, as shown and described.

(51) **LOC (9) Cl.** **26-03**

(52) **U.S. Cl.** **D26/93**

(58) **Field of Classification Search** D26/24,
D26/26, 67, 93, 104, 105, 106, 118; 362/3,
362/153, 186, 217, 255, 257, 277, 317, 351,
362/353, 362, 363, 382, 431, 433, 458, 806
See application file for complete search history.

DESCRIPTION

(56) **References Cited**

U.S. PATENT DOCUMENTS

D354,582 S * 1/1995 Stromberg D26/106
D368,547 S * 4/1996 Chen D26/93
D464,461 S * 10/2002 Hsu D26/108

FIG. 1 is a perspective view from above of my new table lamp design;

FIG. 2 is a front elevation view thereof;

FIG. 3 is a rear elevation view thereof;

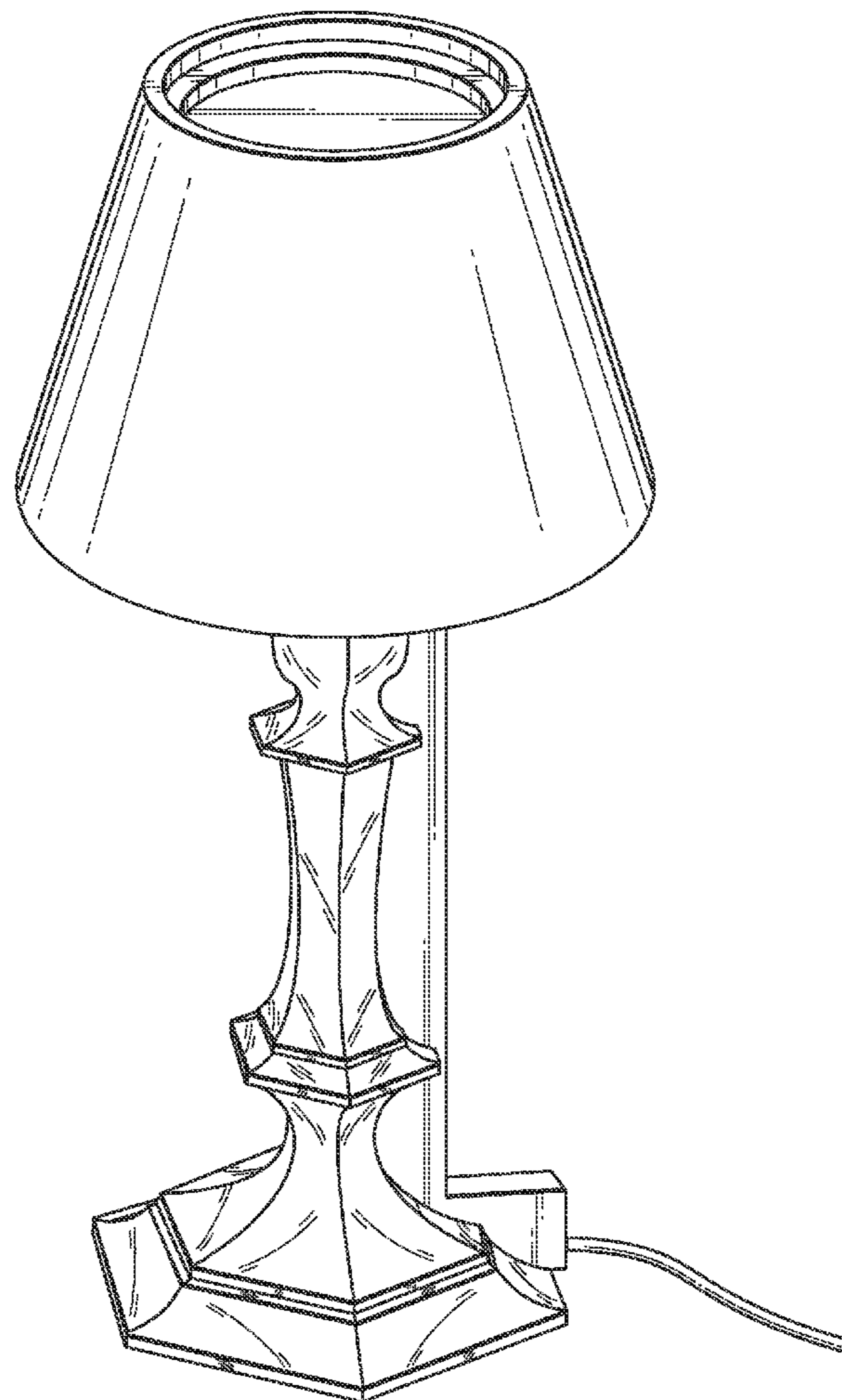
FIG. 4 is a top view thereof;

FIG. 5 is a bottom view thereof;

FIG. 6 is a right side elevation view thereof; and,

FIG. 7 is a left side elevation view thereof.

1 Claim, 6 Drawing Sheets



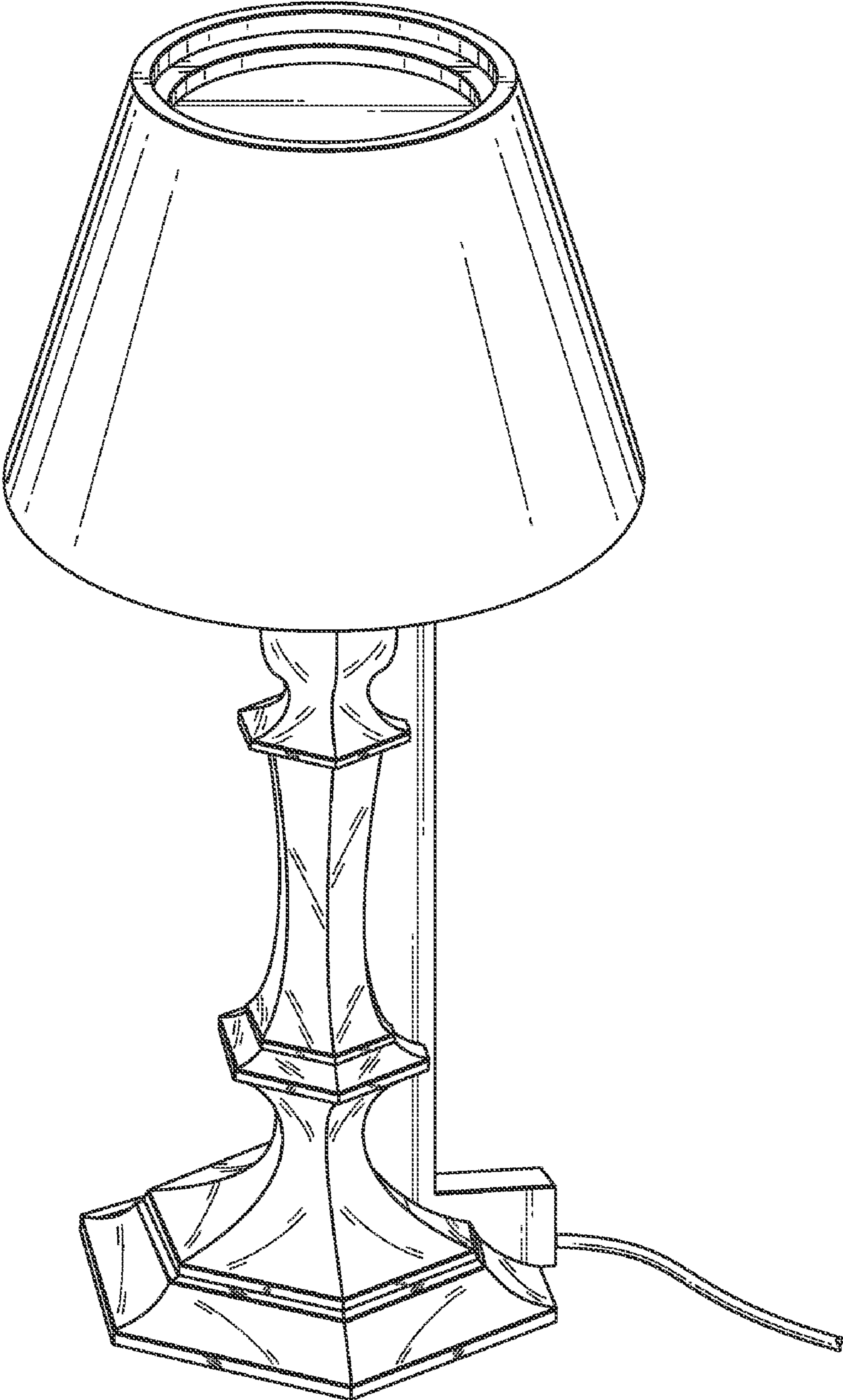


FIG. 1

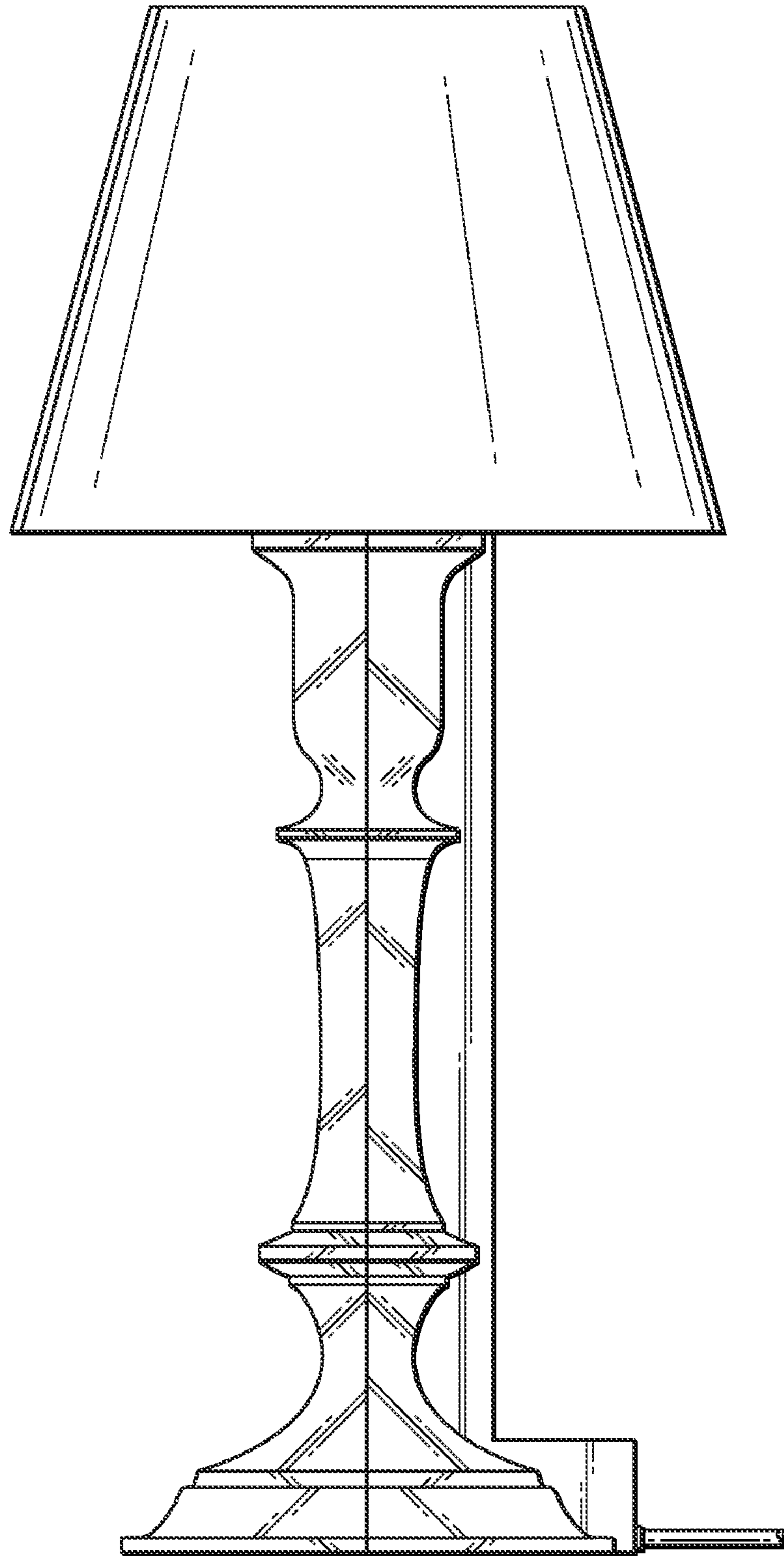


FIG. 2

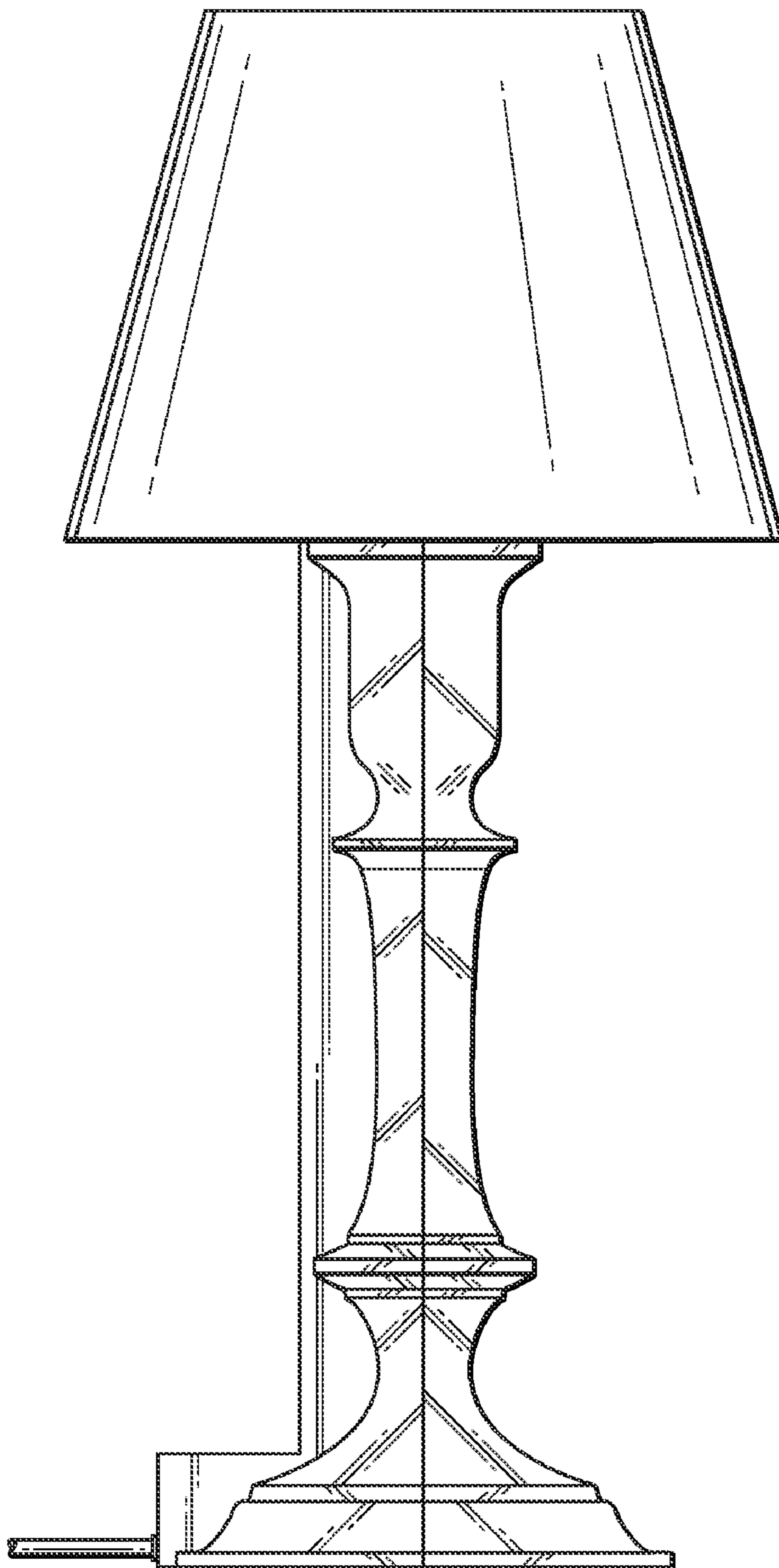


FIG. 3

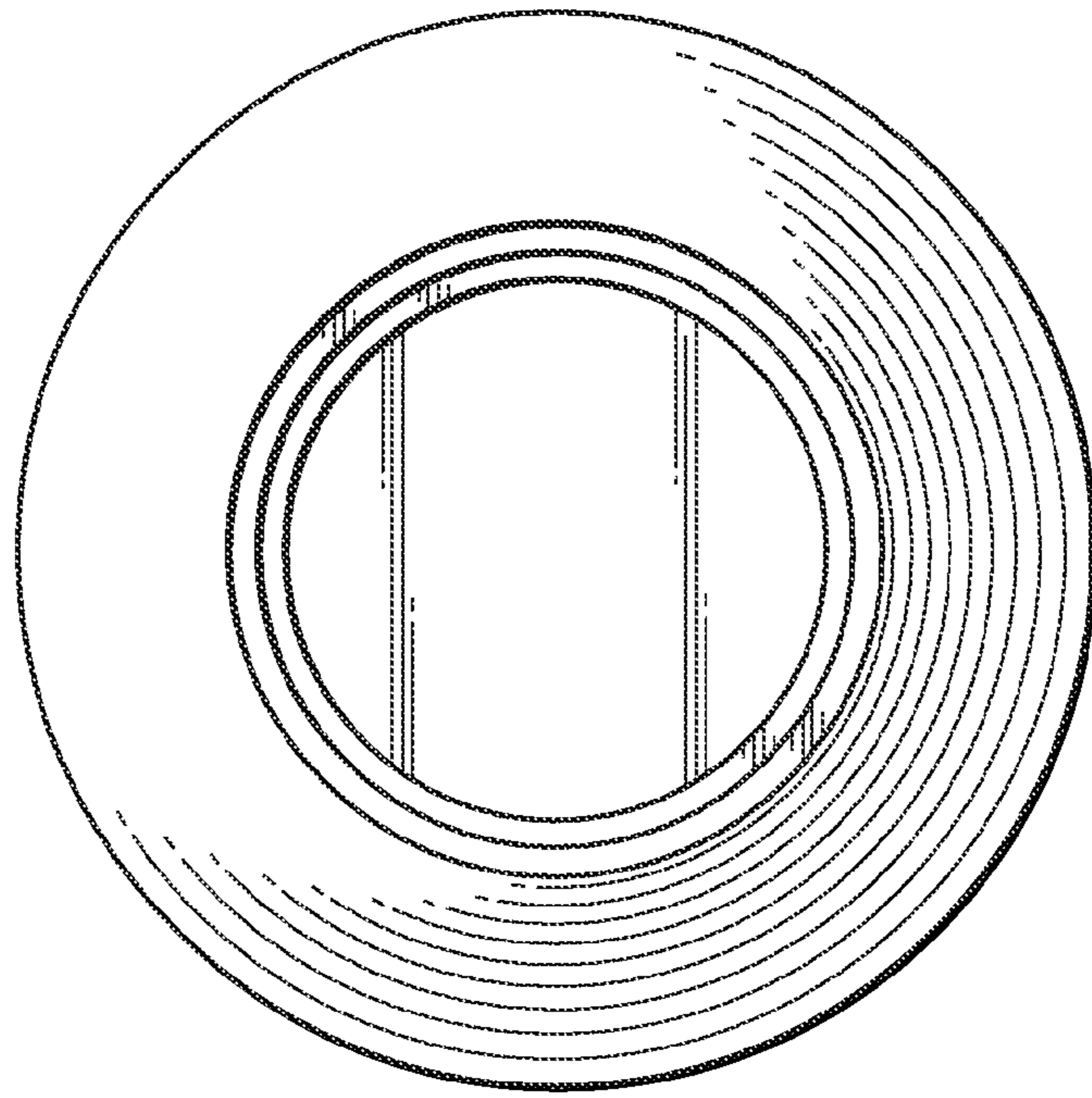


FIG. 4

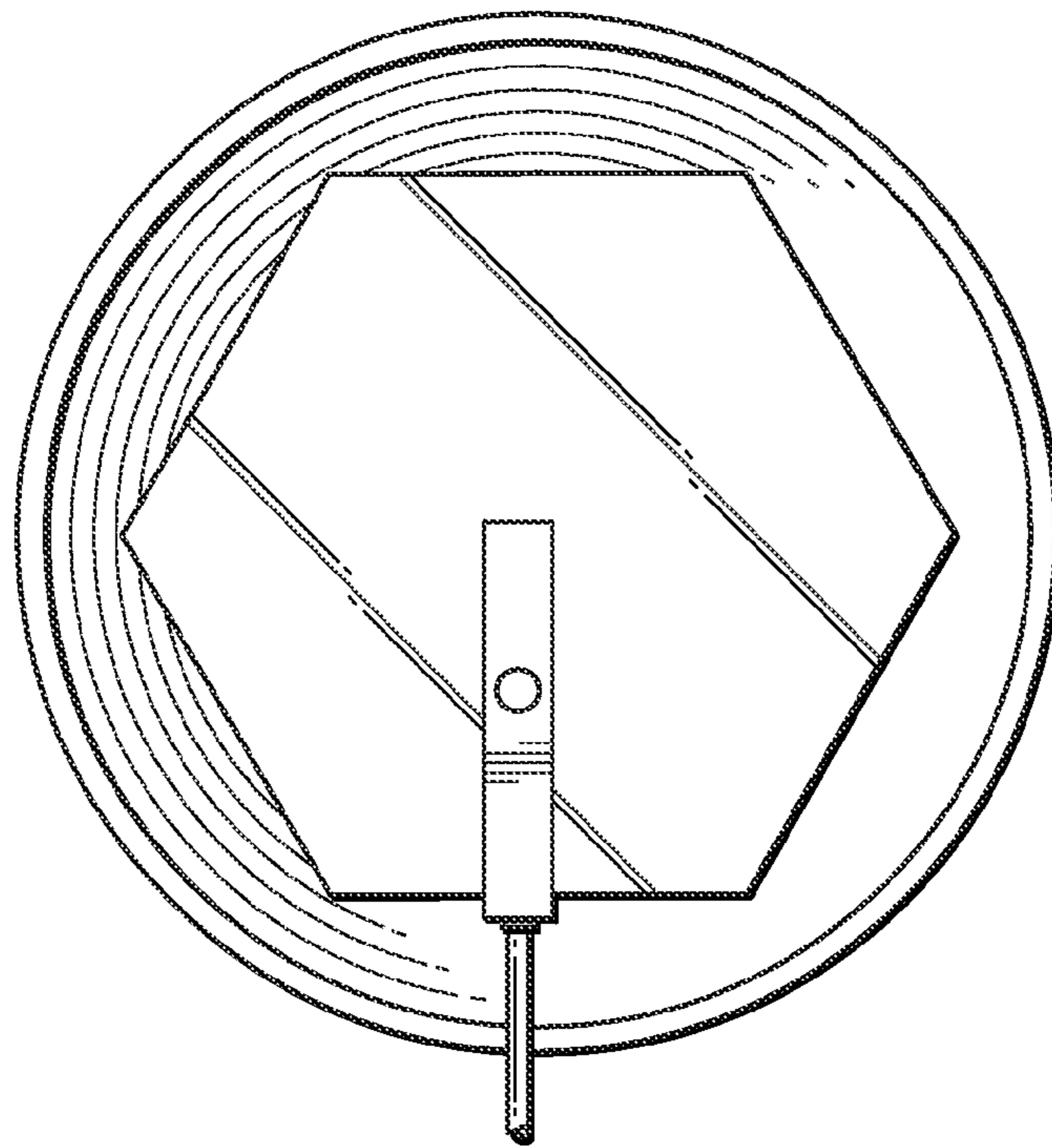


FIG. 5

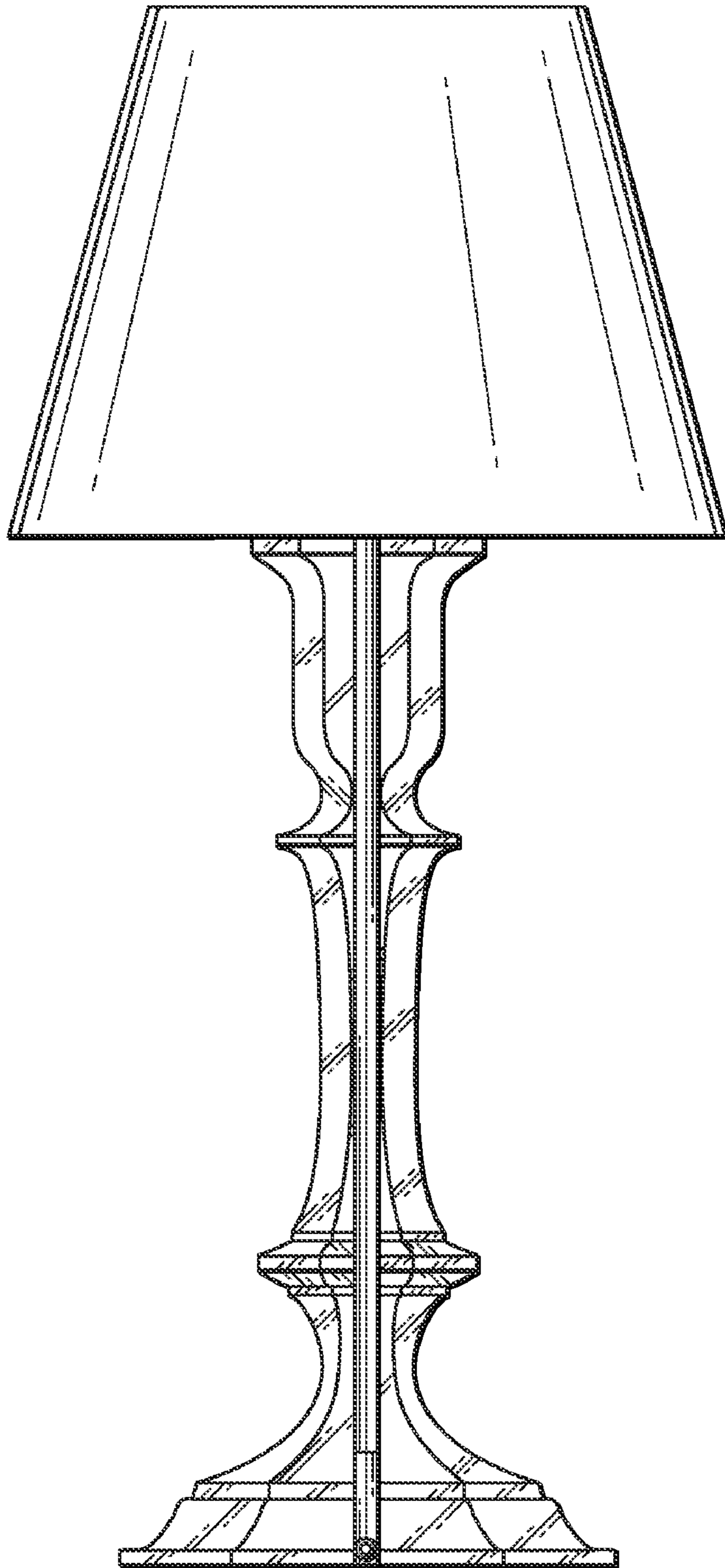


FIG. 6

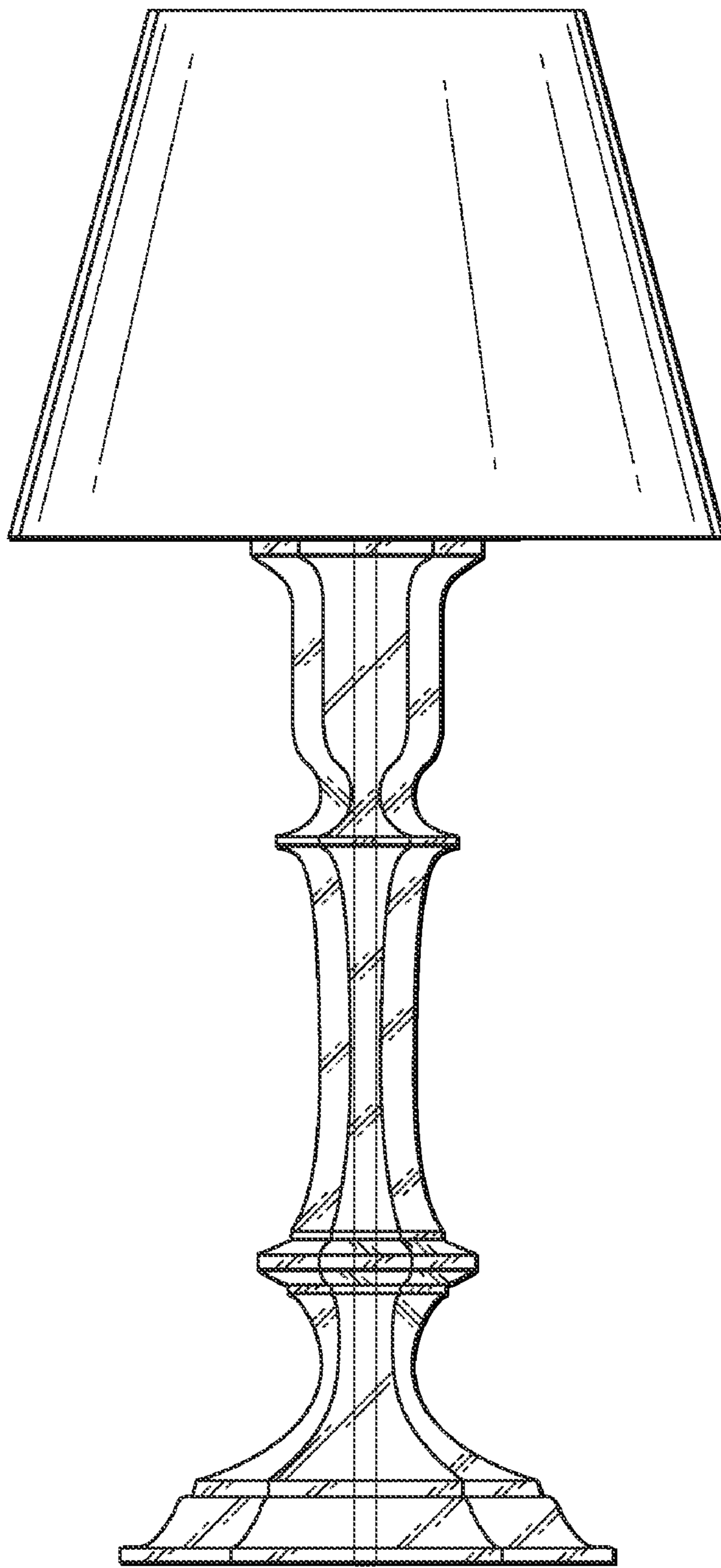


FIG. 7