



US00D595005S

(12) **United States Design Patent**  
**Chou**

(10) **Patent No.:** **US D595,005 S**  
(45) **Date of Patent:** **\*\* Jun. 23, 2009**

(54) **RECESSED CAN LIGHT FIXTURE**

6,234,649 B1 5/2001 Katougi

(75) Inventor: **Der Jou Chou**, Mesa, AZ (US)

(Continued)

(73) Assignee: **Enertron, Inc.**, Tempe, AZ (US)

FOREIGN PATENT DOCUMENTS

(\*\*) Term: **14 Years**

KR 2003-53853 7/2003

(21) Appl. No.: **29/318,452**

OTHER PUBLICATIONS

(22) Filed: **May 20, 2008**

The New York Times, "L.E.D.'s Make for Warm Light But the Bulb Keeps Its Cool," Apr. 2004.

(51) **LOC (9) Cl.** ..... **26-05**

*Primary Examiner*—T. Chase Nelson

(52) **U.S. Cl.** ..... **D26/74**

*Assistant Examiner*—Susan E Krakower

(58) **Field of Classification Search** ..... D26/24–28,  
D26/37, 67, 72, 74–76, 80, 85, 89, 104, 108,  
D26/120–122; 362/132, 145, 147–150, 157,  
362/217–225, 228, 260, 262–264, 267, 310,  
362/345, 364, 365, 368, 432, 440; D23/328;  
D13/180

(74) *Attorney, Agent, or Firm*—Robert D. Atkins

See application file for complete search history.

(57) **CLAIM**

The ornamental design of a recessed can light fixture, as shown and described.

(56) **References Cited**

**DESCRIPTION**

U.S. PATENT DOCUMENTS

FIG. 1 is a side perspective view of a first embodiment of a recessed can light fixture embodying my new design;

FIG. 2 is a rear perspective view thereof;

FIG. 3 is a front elevational view thereof;

FIG. 4 is a rear elevational view thereof;

FIG. 5 is a left side elevational view thereof, the right side elevational view being a mirror image thereof;

FIG. 6 is a side perspective view of a second embodiment of a recessed can light fixture embodying my new design;

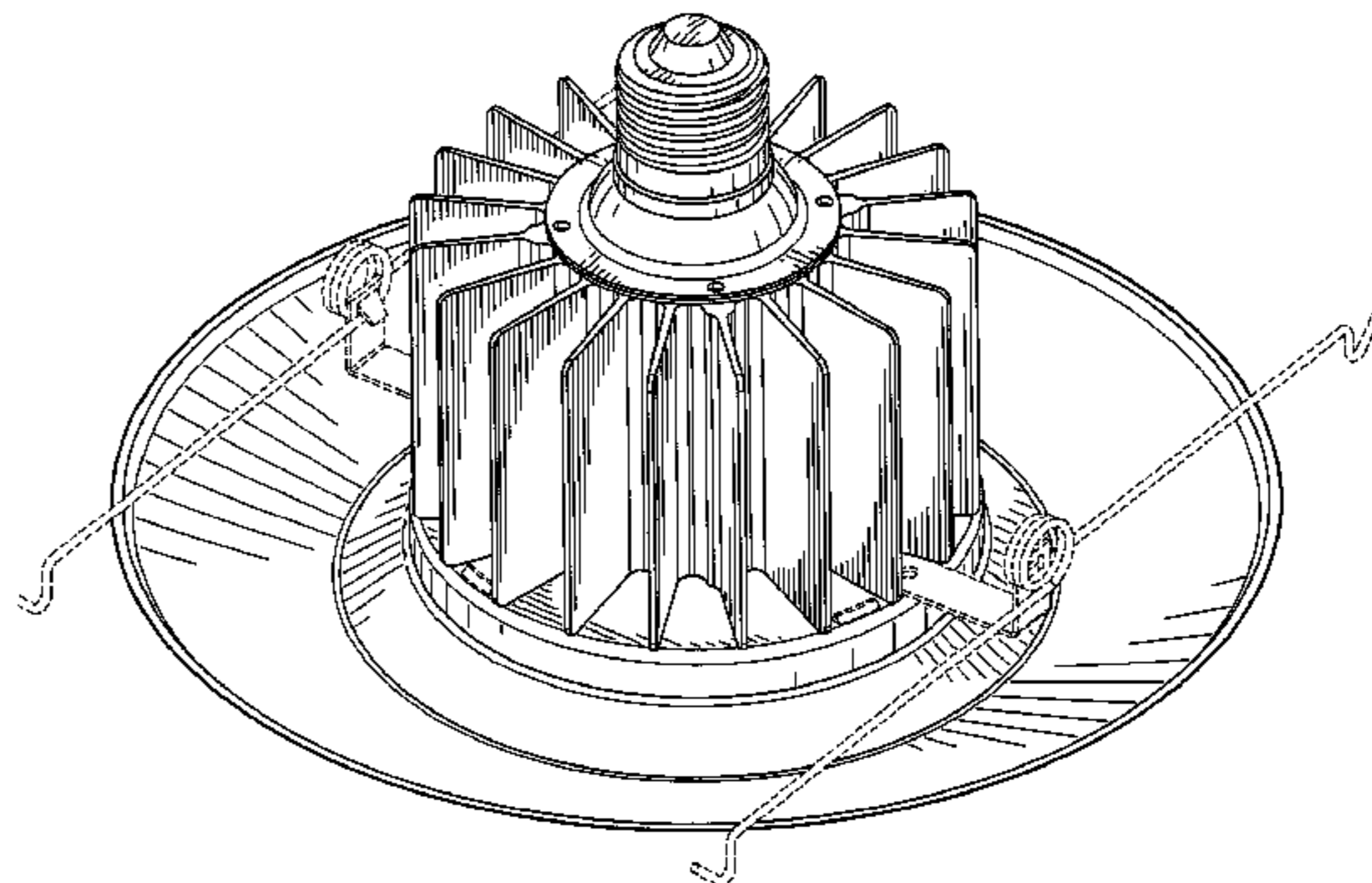
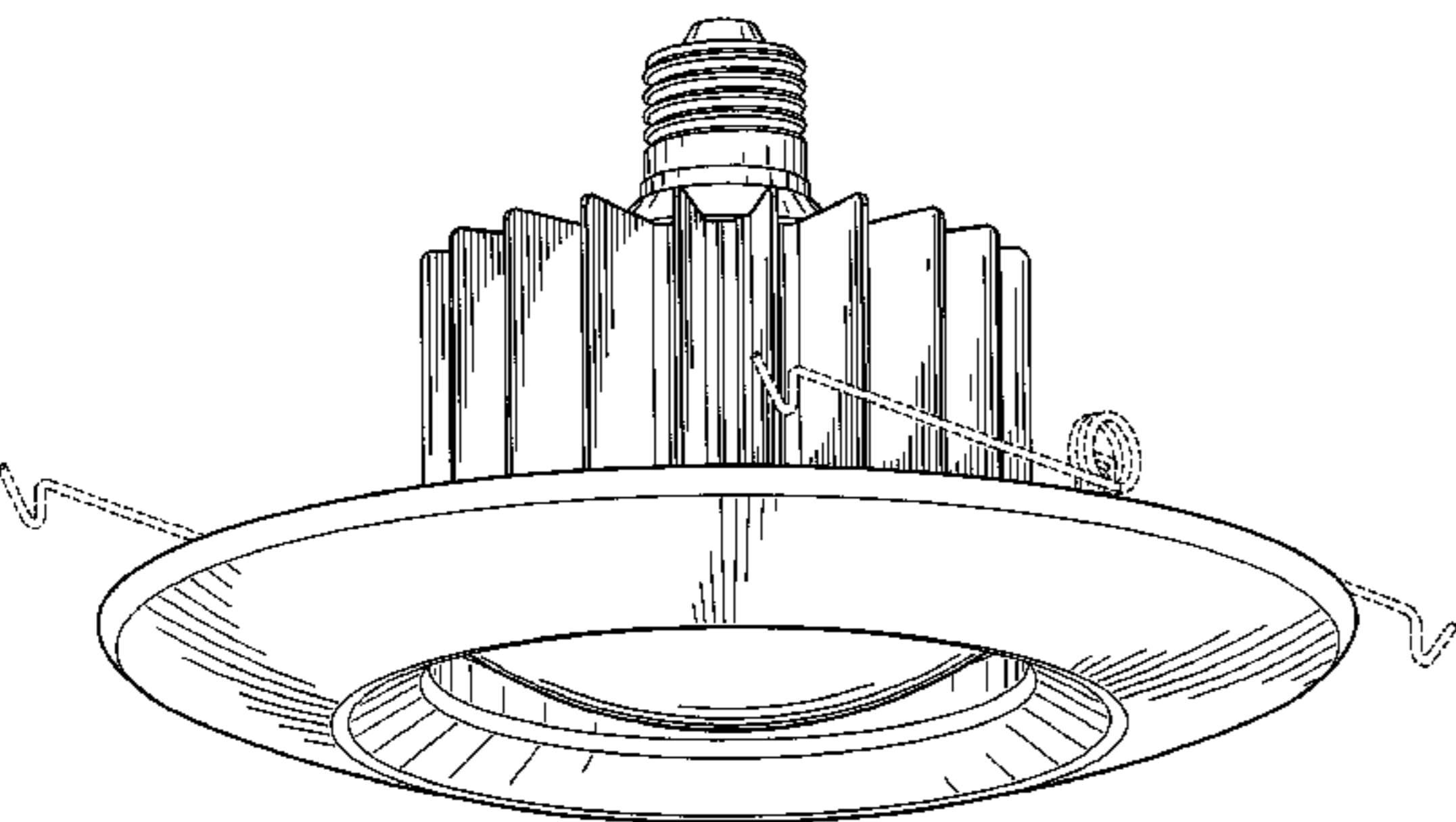
FIG. 7 is a rear perspective view thereof;

FIG. 8 is a front elevational view thereof;

FIG. 9 is a rear elevational view thereof; and,

FIG. 10 is a left side elevational view thereof, the right side elevational view being a mirror image thereof.

The structural subject matter shown in broken lines forms no part of the claimed design.



**1 Claim, 10 Drawing Sheets**

# US D595,005 S

Page 2

## U.S. PATENT DOCUMENTS

6,431,728	B1	8/2002	Fredericks et al.				
6,441,558	B1	8/2002	Muthu et al.				
6,481,130	B1	11/2002	Wu				
6,499,860	B2	12/2002	Begemann				
D476,108	S *	6/2003	Lecluze .....	D26/74			
6,632,892	B2	10/2003	Rubinsztajn et al.				
D485,006	S *	1/2004	Huang .....	D26/118			
D488,252	S *	4/2004	Benghozi .....	D26/118			
6,719,446	B2	4/2004	Cao				
6,942,360	B2	9/2005	Chou et al.				
D516,229	S *	2/2006	Tang .....	D26/2			
D528,673	S *	9/2006	Maxik et al. ....	D26/2			
D538,950	S *	3/2007	Maxik .....	D26/2			
D538,951	S *	3/2007	Maxik et al. ....	D26/2			
D538,952	S *	3/2007	Maxik et al. ....	D26/2			
D548,391	S *	8/2007	Lecluze .....	D26/138			
D571,497	S *	6/2008	Chan et al. ....	D26/74			
D573,294	S *	7/2008	Chan et al. ....	D26/74			
D581,083	S *	11/2008	Chan et al. ....	D26/74			
2002/0070643	A1	6/2002	Yeh				
2003/0048632	A1	3/2003	Archer				
2003/0071366	A1	4/2003	Rubinsztajn et al.				
2003/0185012	A1 *	10/2003	Sitzema et al. ....	362/328			
2003/0189829	A1	10/2003	Shimizu et al.				
2004/0066652	A1	4/2004	Hong				
2004/0105264	A1	6/2004	Spero				
2006/0239002	A1	10/2006	Chou et al.				
2008/0106907	A1 *	5/2008	Trott et al. ....	362/368			

\* cited by examiner

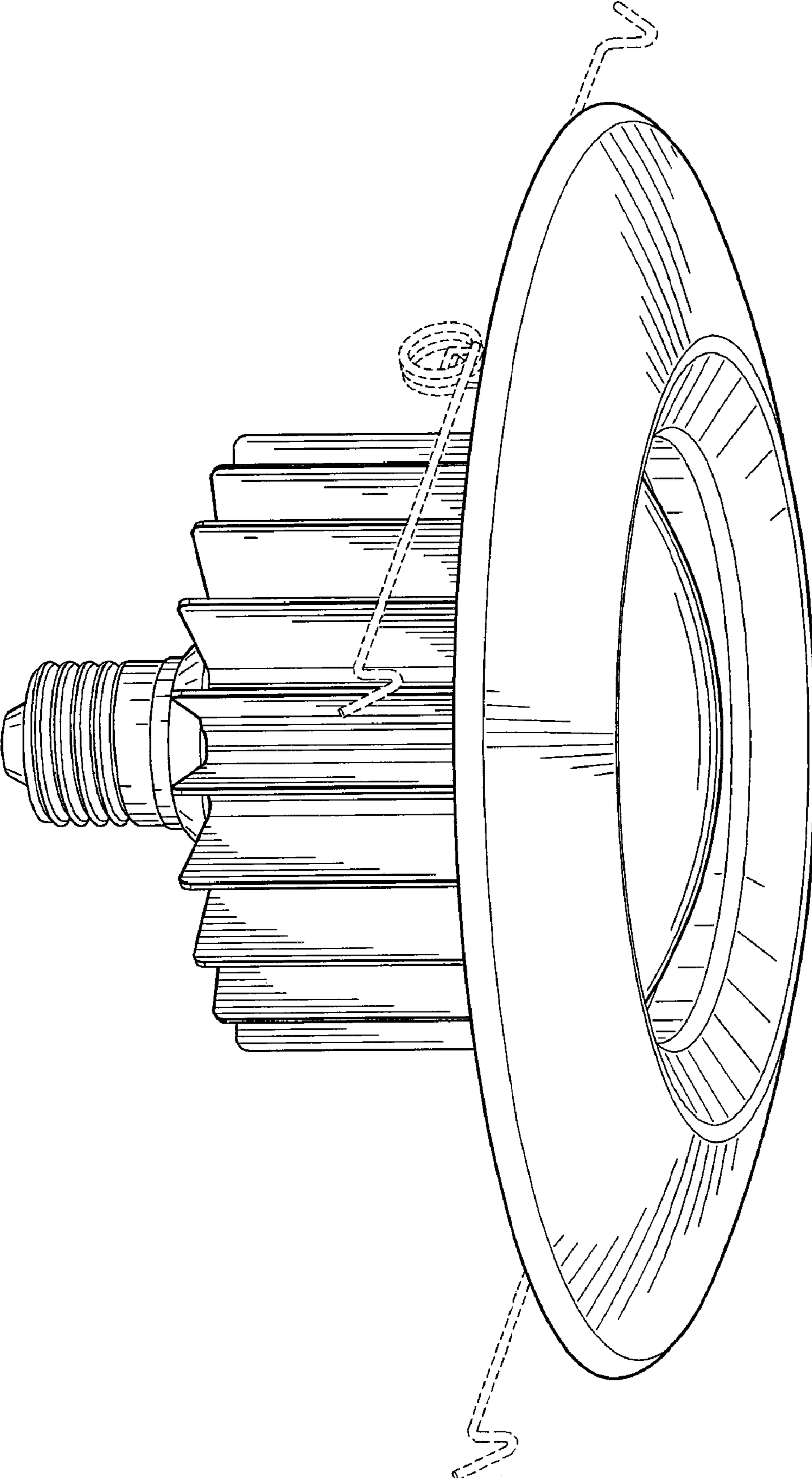


FIG. 1

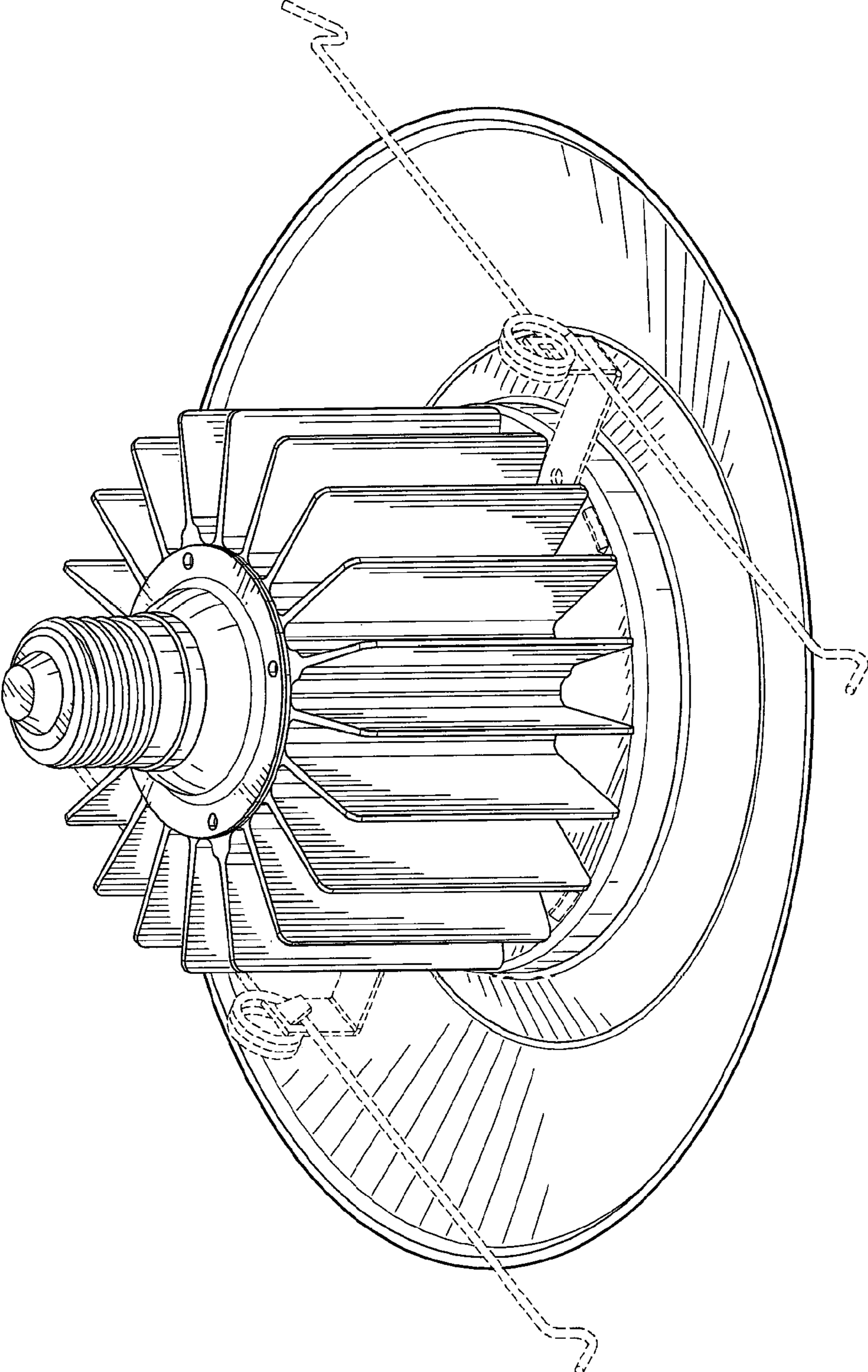


FIG. 2

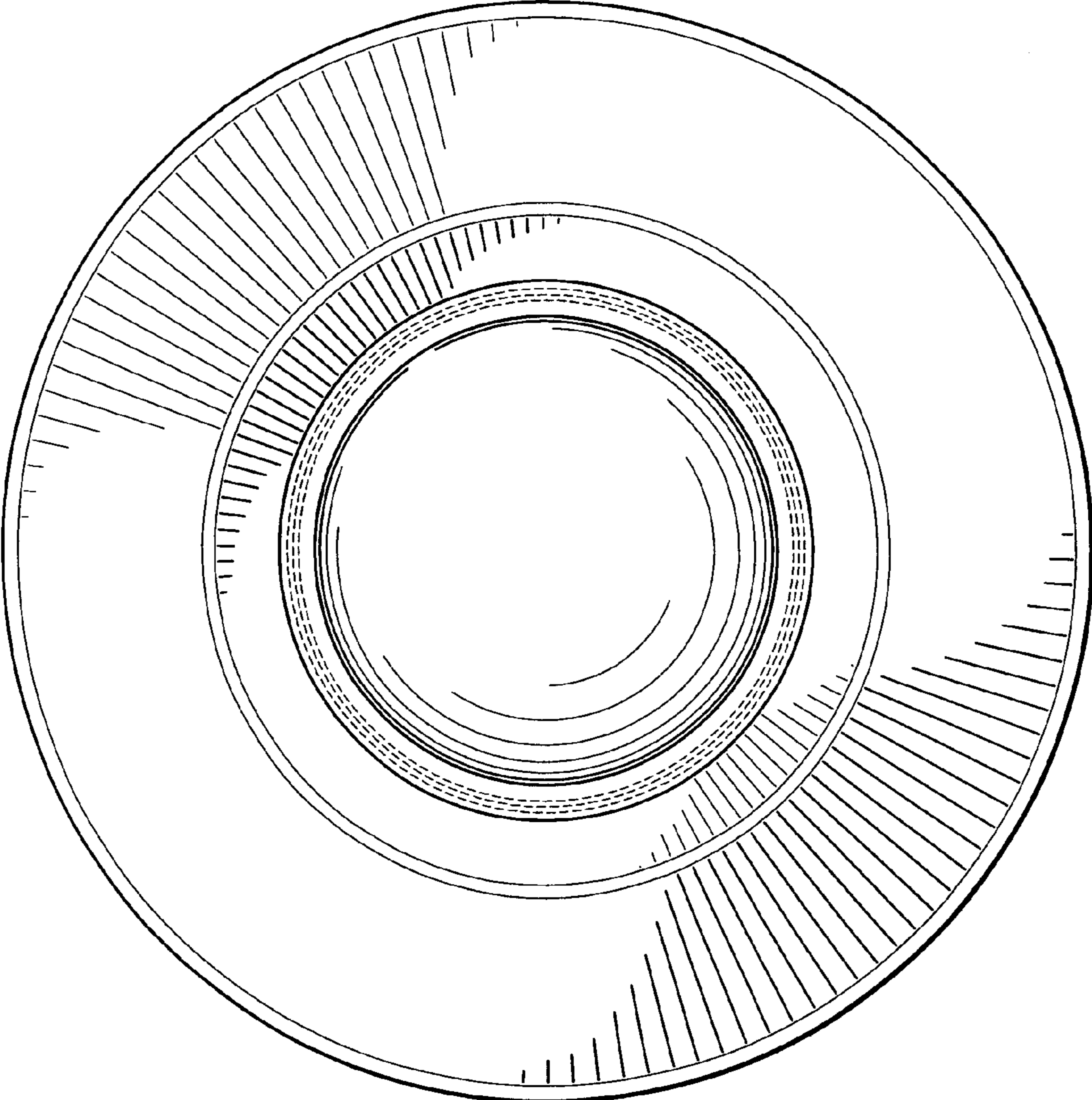


FIG. 3

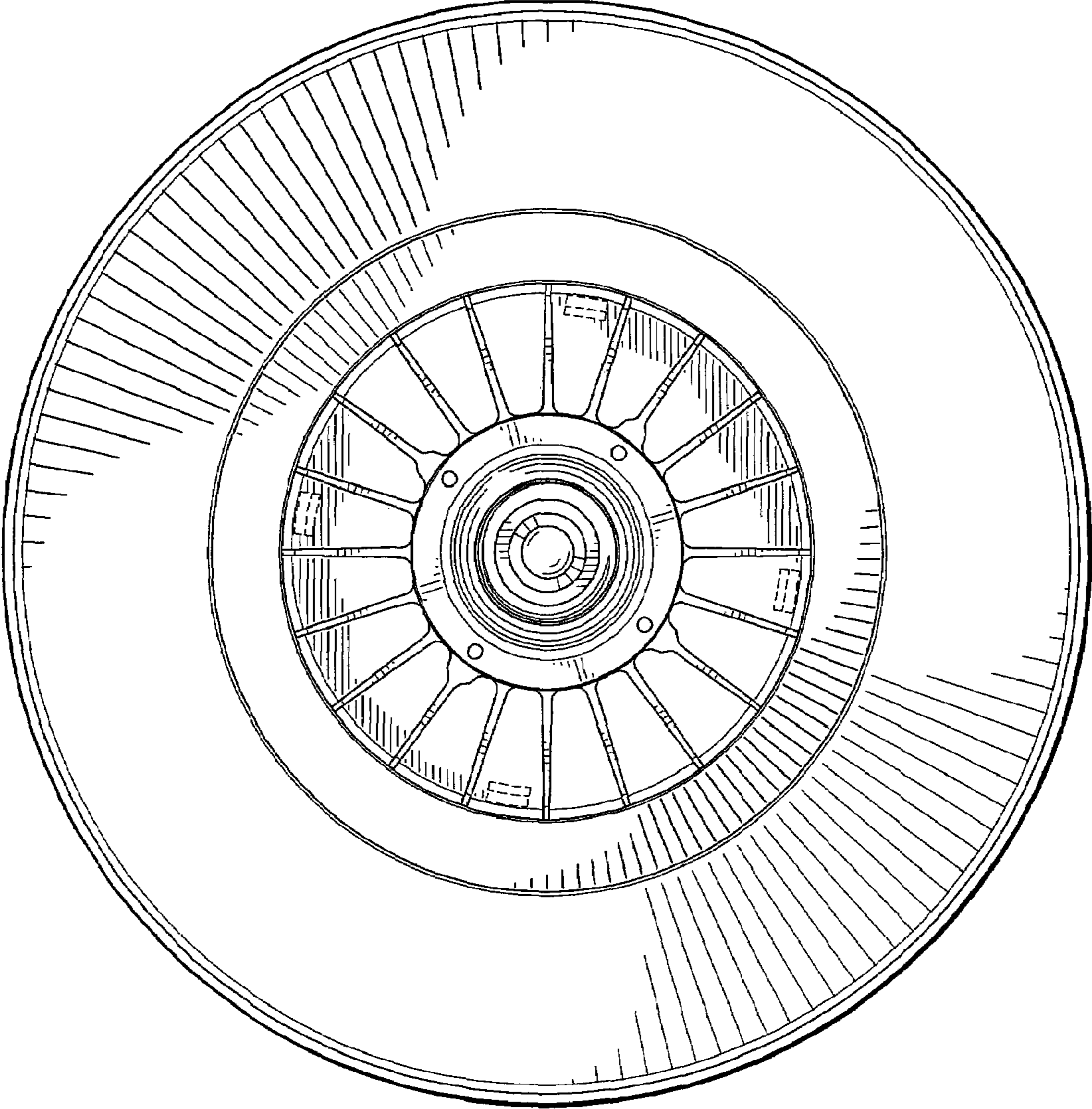
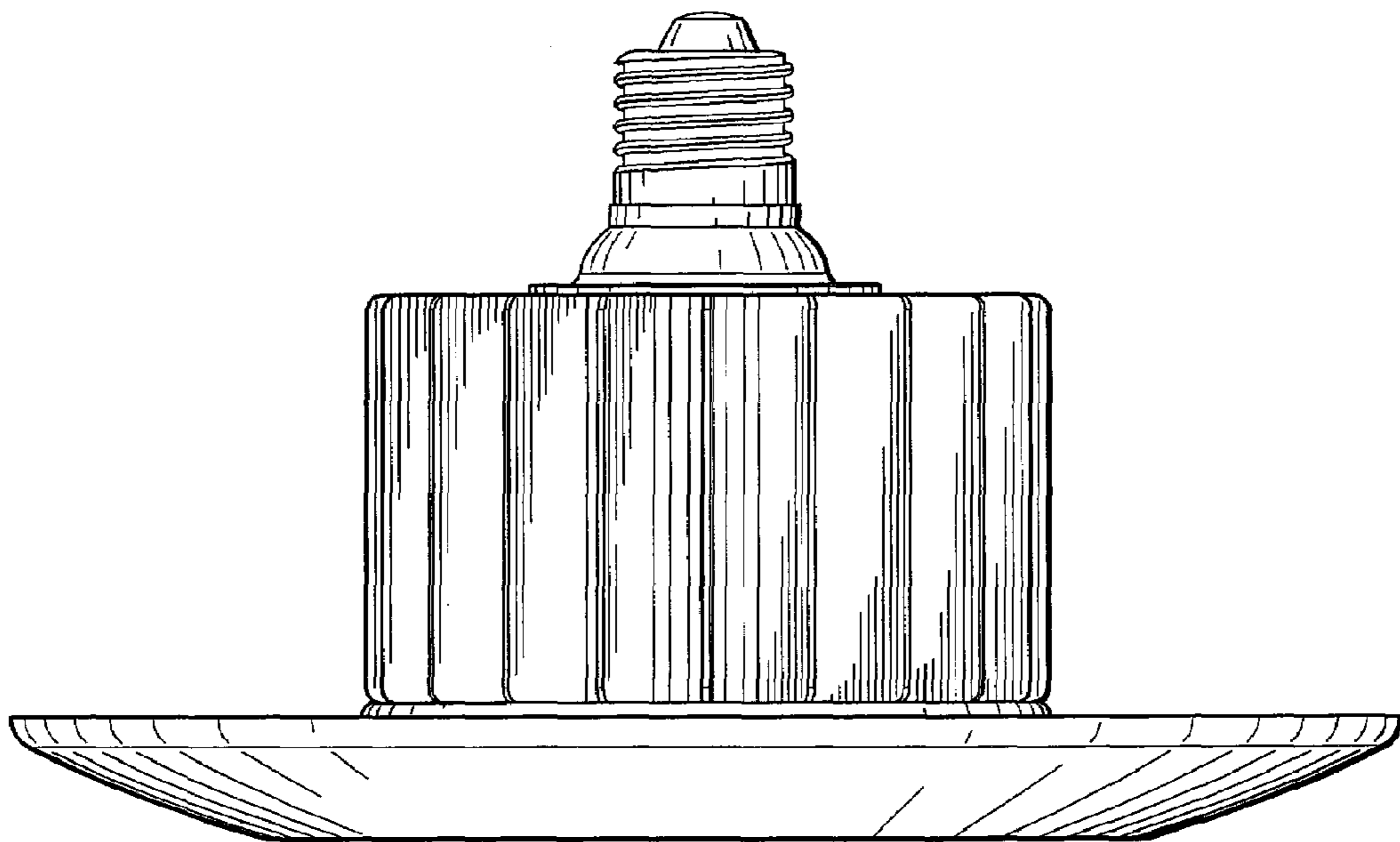


FIG. 4



*FIG. 5*

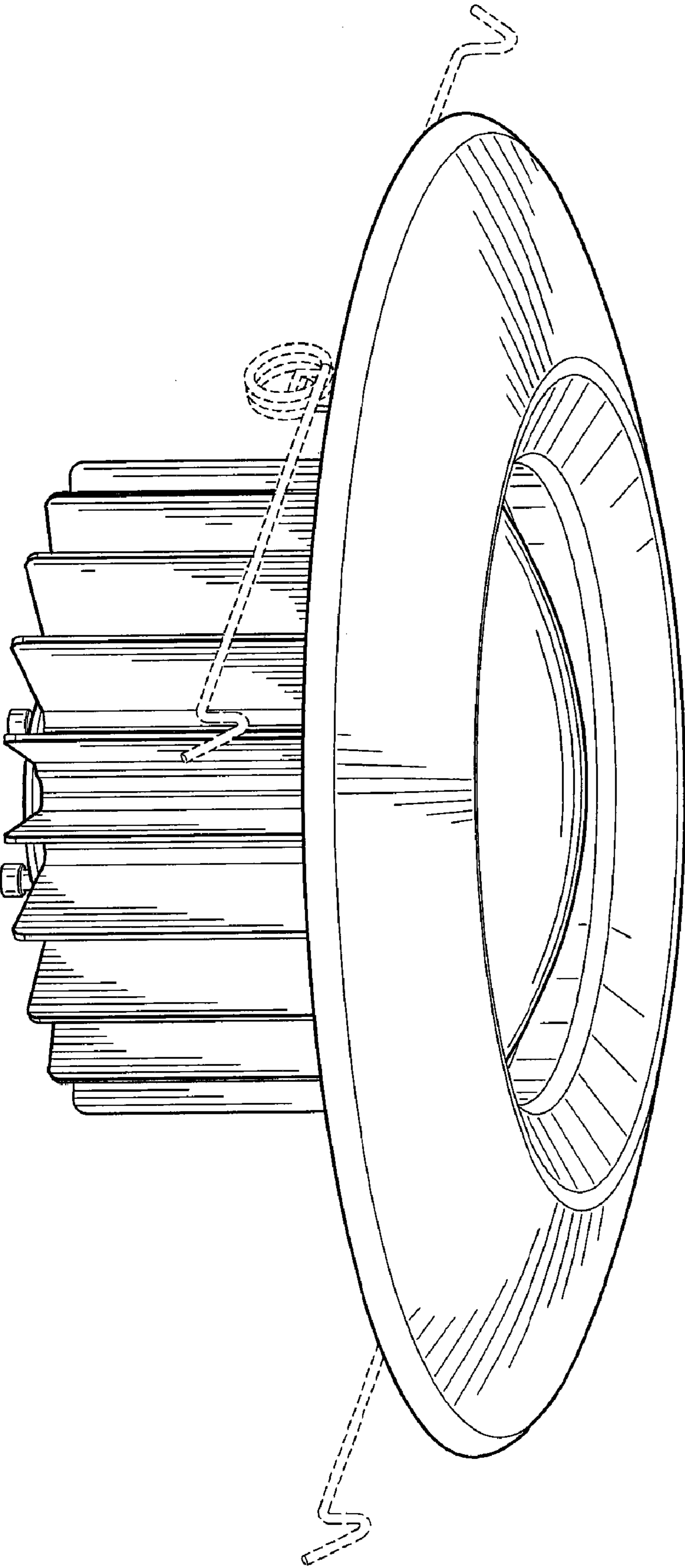


FIG. 6



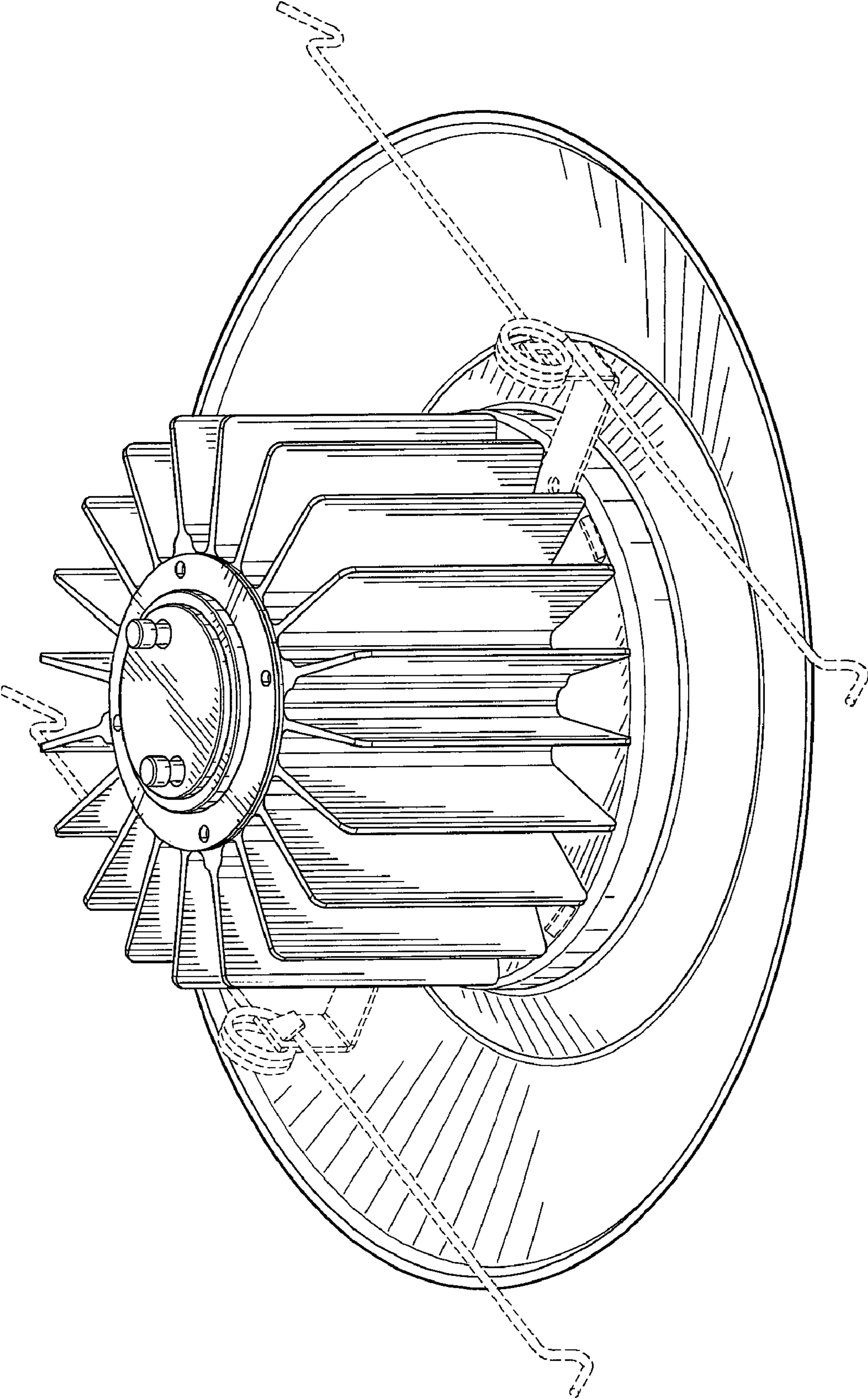
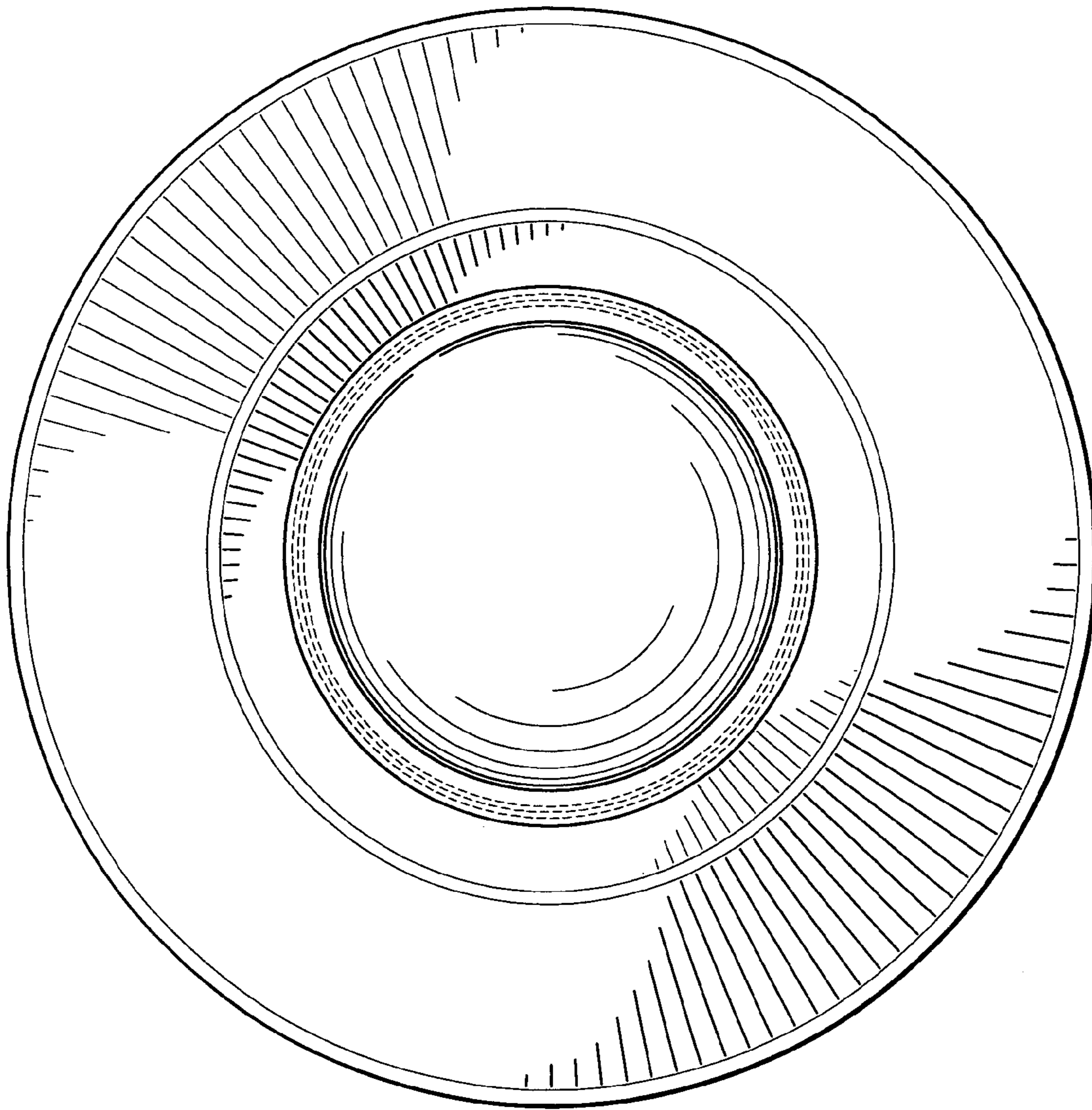


FIG. 7



*FIG. 8*

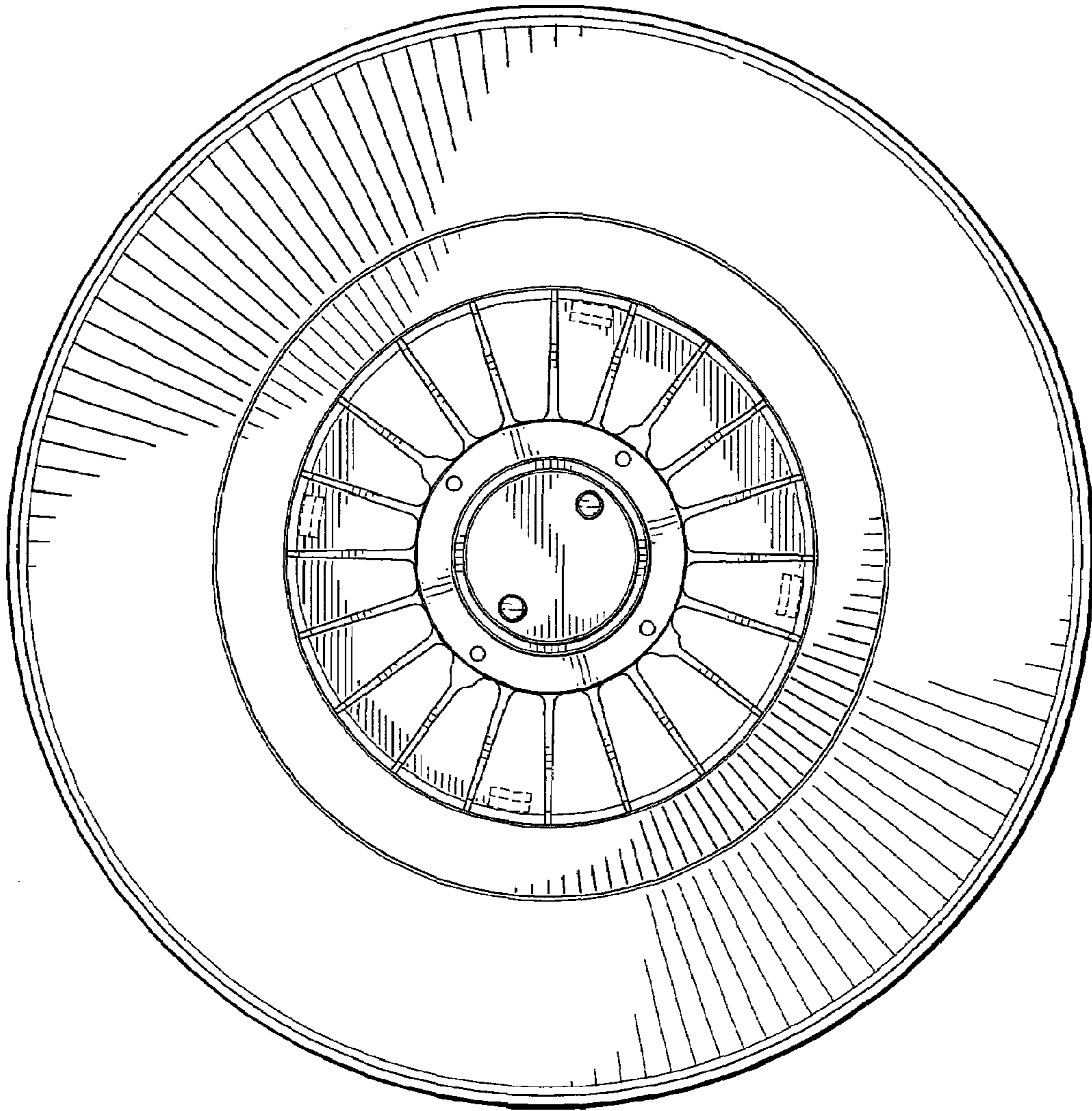
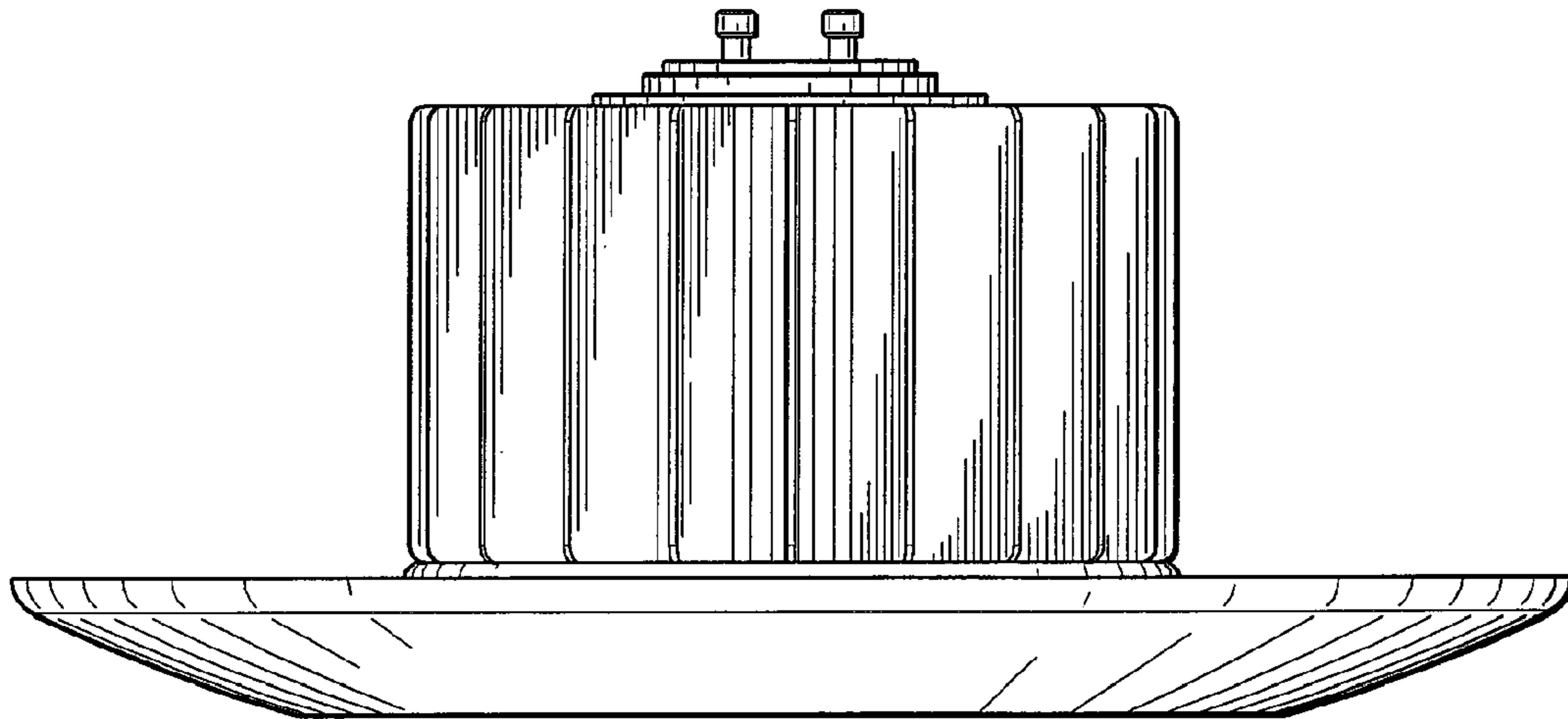


FIG. 9



*FIG. 10*