



US00D595004S

(12) **United States Design Patent**
Pan

(10) **Patent No.:** **US D595,004 S**

(45) **Date of Patent:** **** Jun. 23, 2009**

(54) **CEILING FAN LIGHT KIT**

Primary Examiner—Lisa P Lichtenstein

(74) *Attorney, Agent, or Firm*—Ming Chow; Sinorica, LLC

(75) **Inventor:** **Peter Pan**, Tanzih Township, Taichung County (TW)

(57) **CLAIM**

(73) **Assignee:** **Air Cool Industrial Co., Ltd.**, Taichung County (TW)

The ornamental design for a ceiling fan light kit, as shown and described.

(**) **Term:** **14 Years**

DESCRIPTION

(21) **Appl. No.:** **29/331,125**

(22) **Filed:** **Jan. 21, 2009**

(51) **LOC (9) Cl.** **26-05**

(52) **U.S. Cl.** **D26/59**

(58) **Field of Classification Search** D23/411,
D23/377, 379, 385; D26/59, 51, 72, 81–86,
D26/88; 416/5; 362/96

See application file for complete search history.

FIG. 1 is a front perspective view of a ceiling fan light kit showing my new design;

FIG. 2 is a front elevational view thereof;

FIG. 3 is a rear elevational view thereof.

FIG. 4 is a left side elevational view thereof;

FIG. 5 is a right side elevational view thereof;

FIG. 6 is a top plan view thereof; and,

FIG. 7 is a bottom plan view thereof.

(56) **References Cited**

U.S. PATENT DOCUMENTS

D339,204 S * 9/1993 Holbrook D26/85

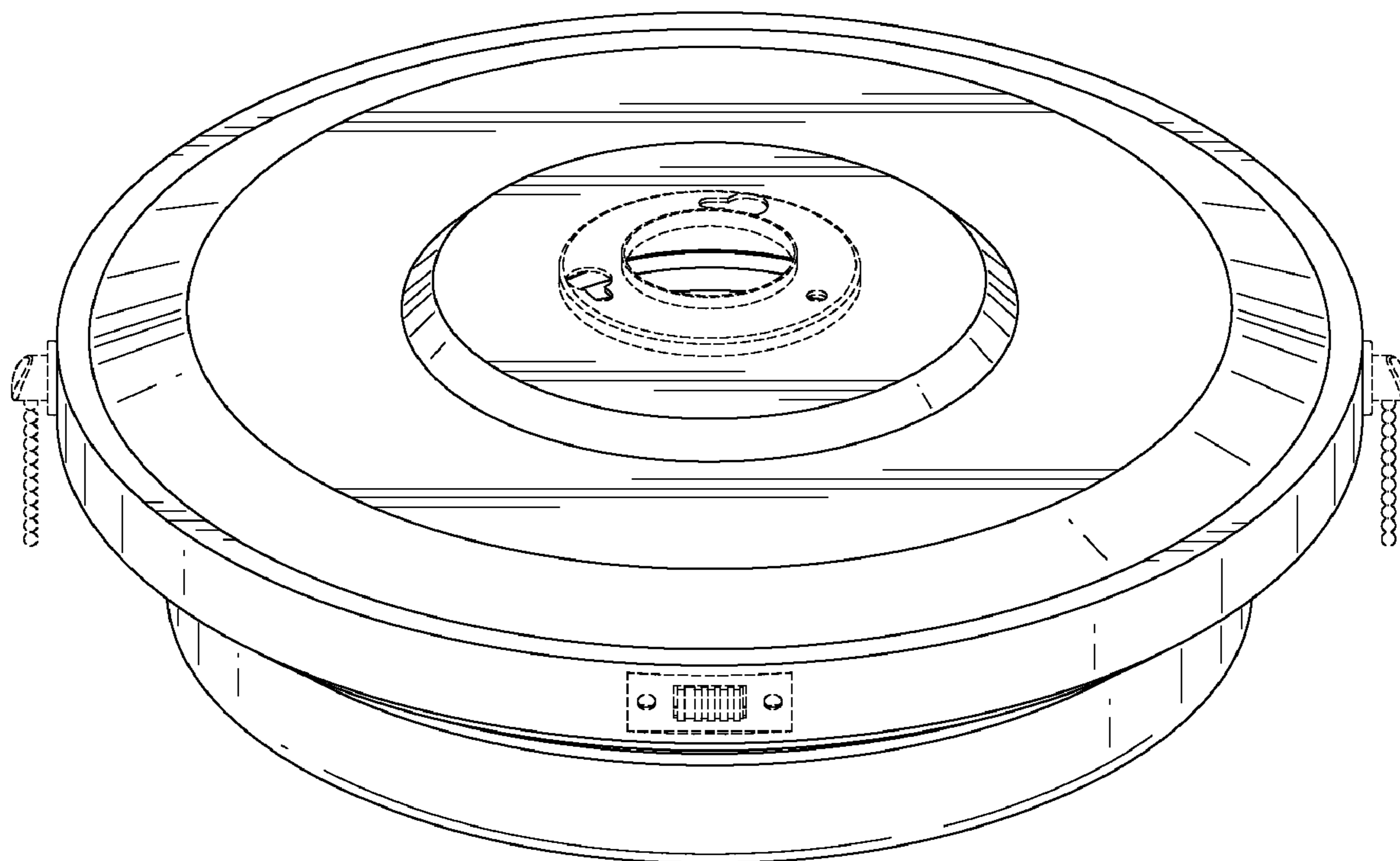
D464,423 S * 10/2002 Tsuji D23/411

D535,738 S * 1/2007 Pan D23/411

The broken line showing of portions of a ceiling fan light kit is included for the purpose of illustrating environmental structure and forms no part of the claimed design.

* cited by examiner

1 Claim, 5 Drawing Sheets



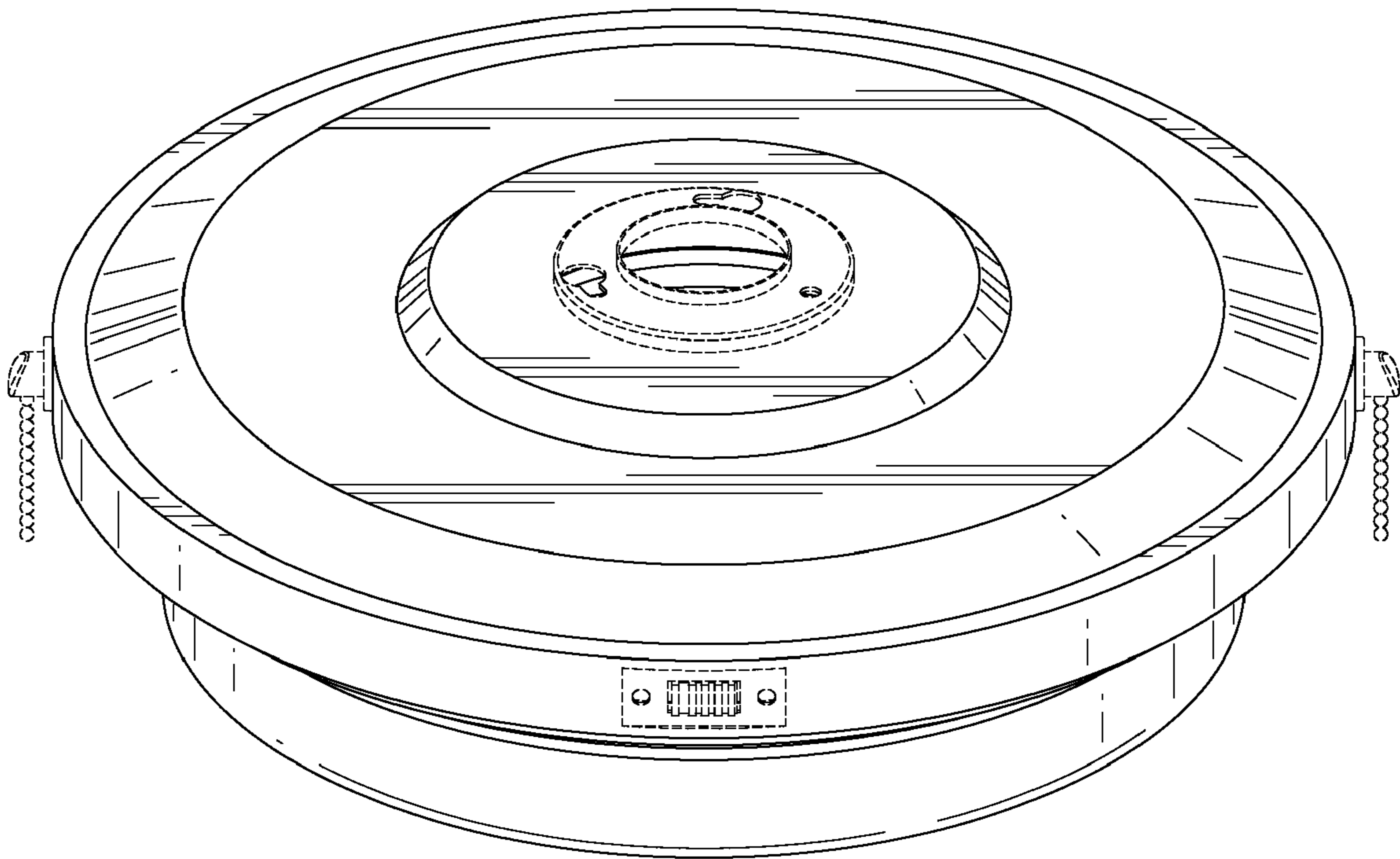


FIG. 1

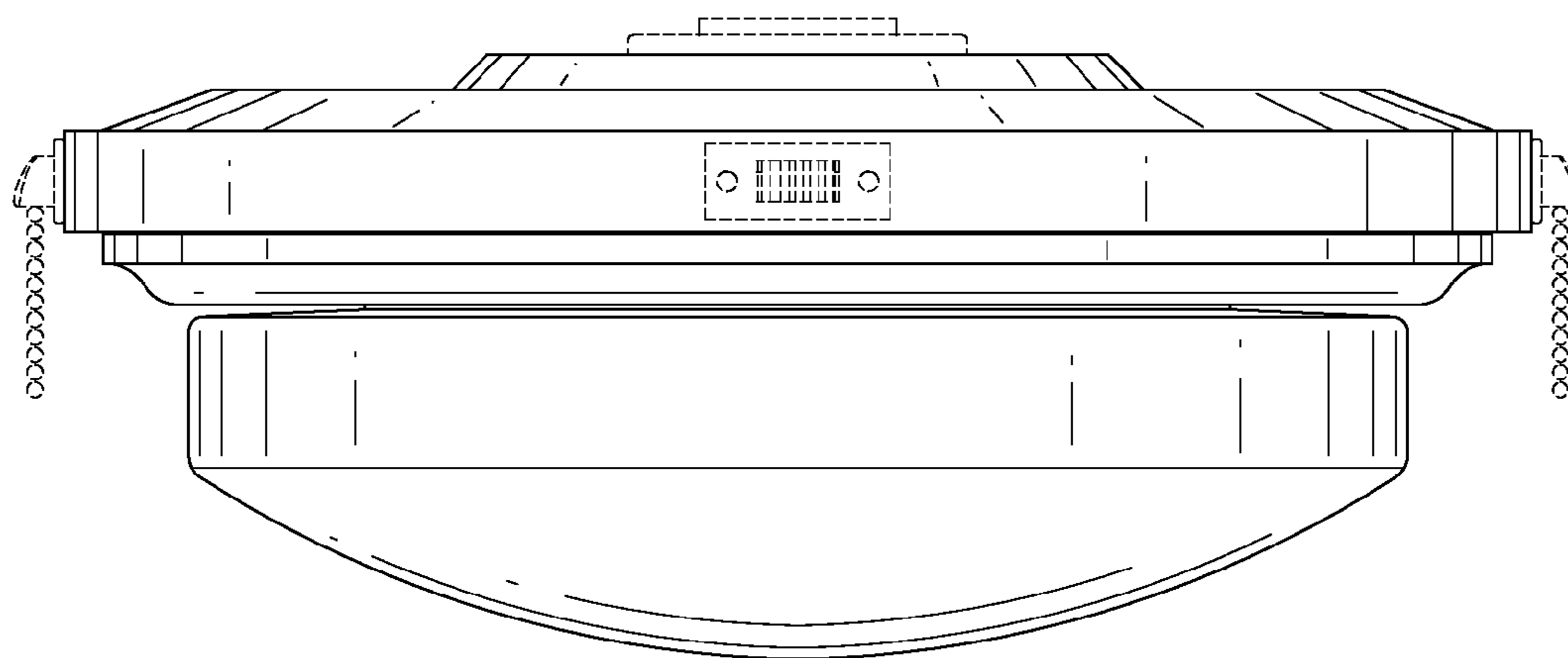


FIG. 2

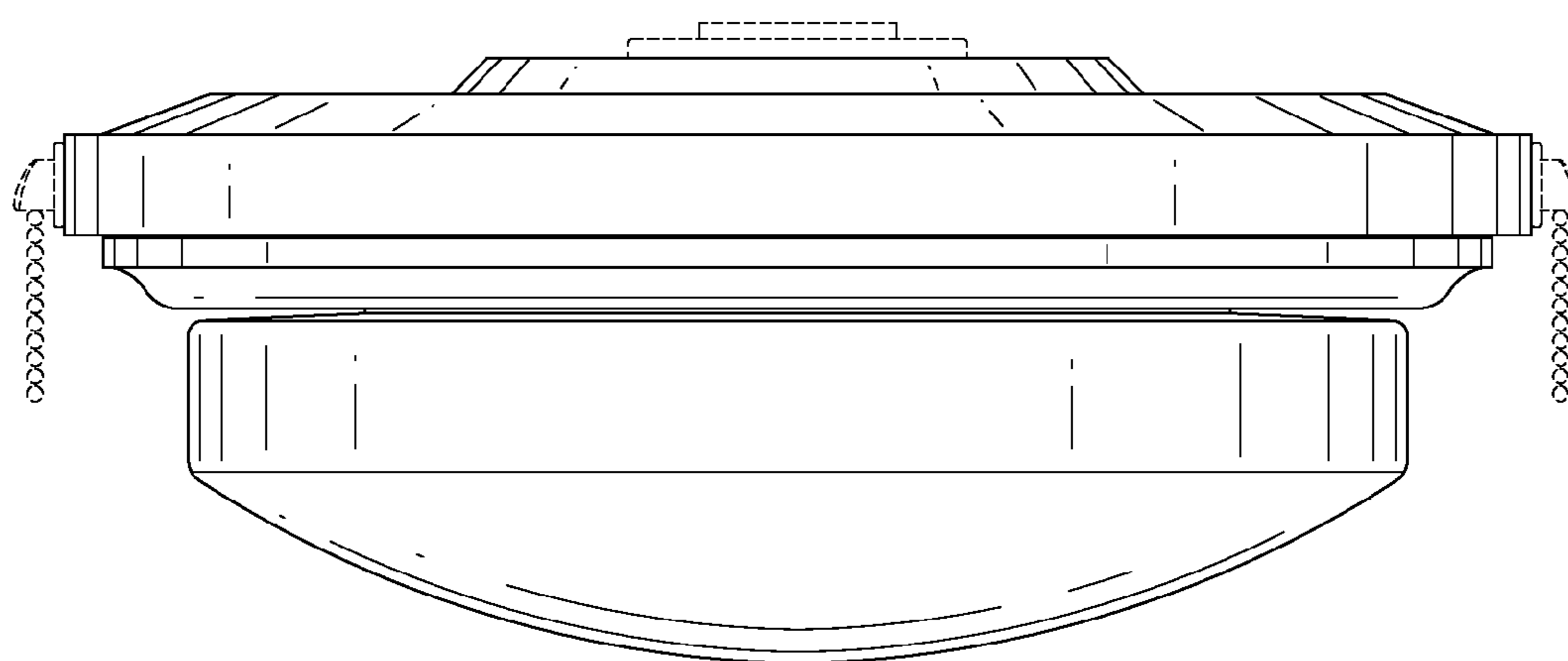


FIG. 3

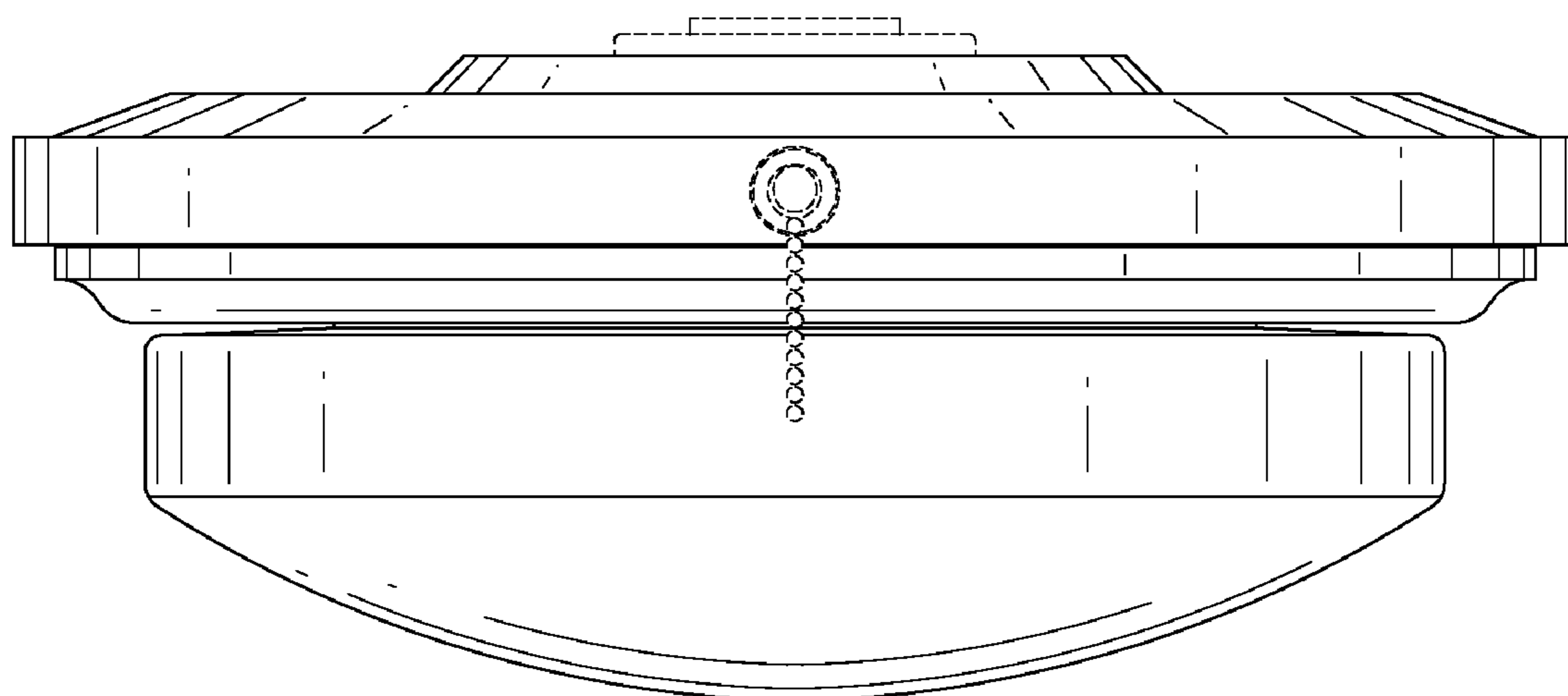


FIG. 4

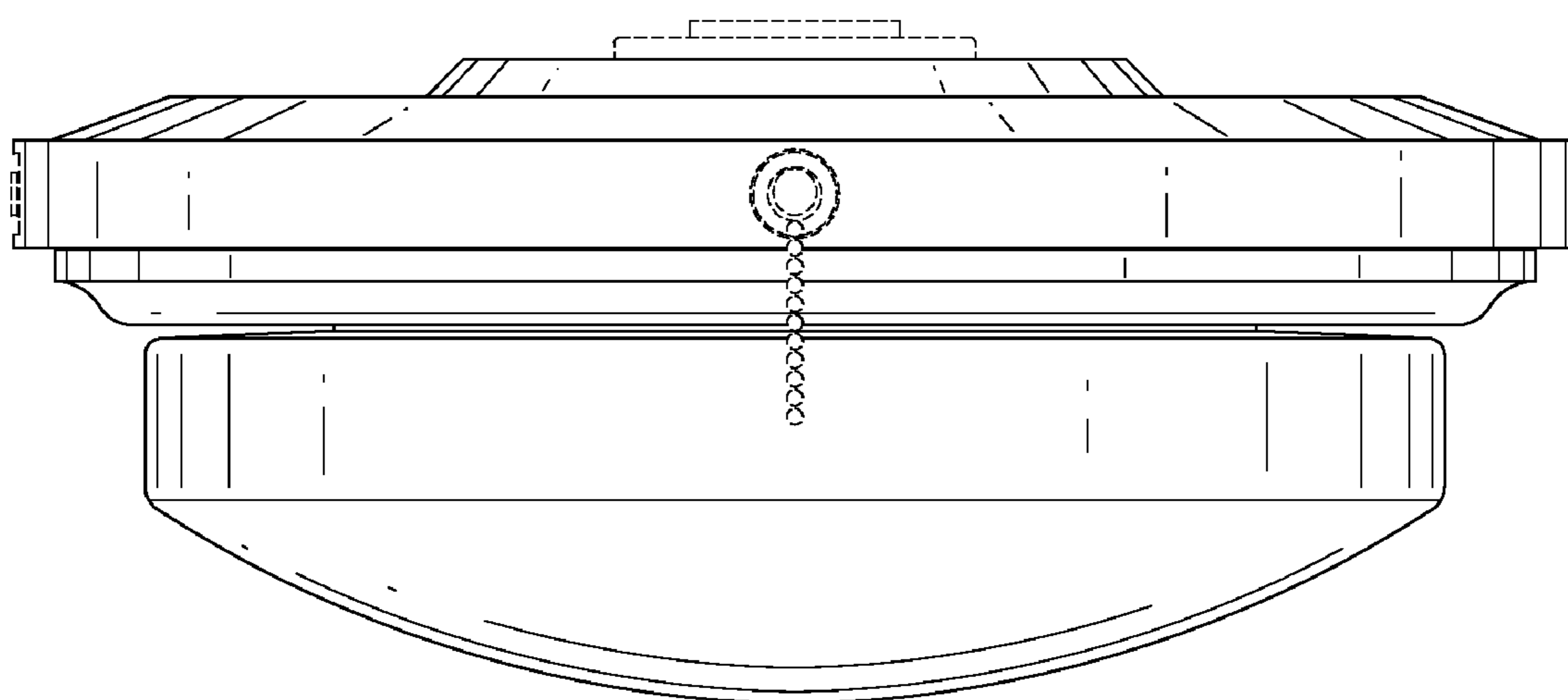


FIG. 5

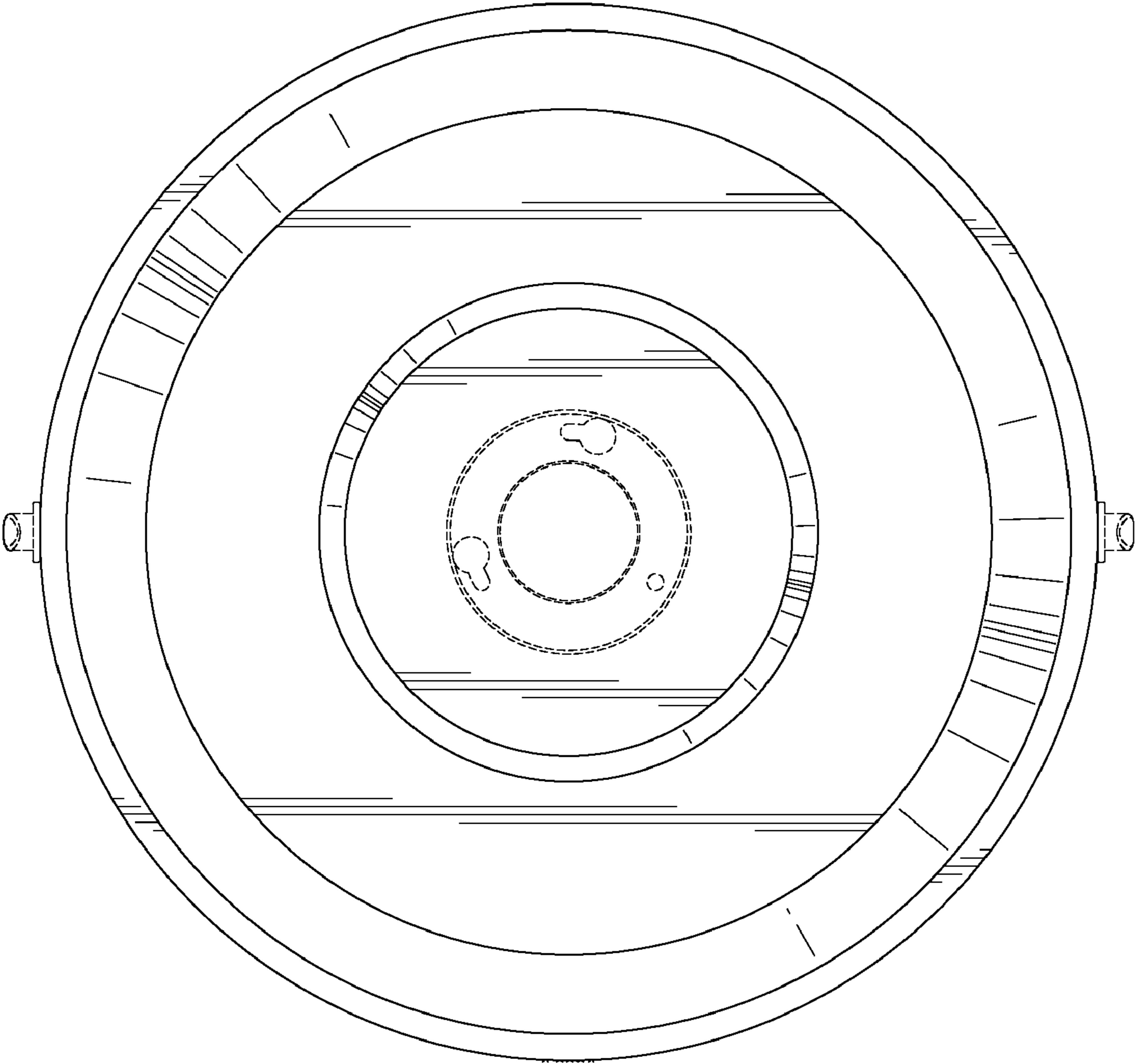


FIG. 6

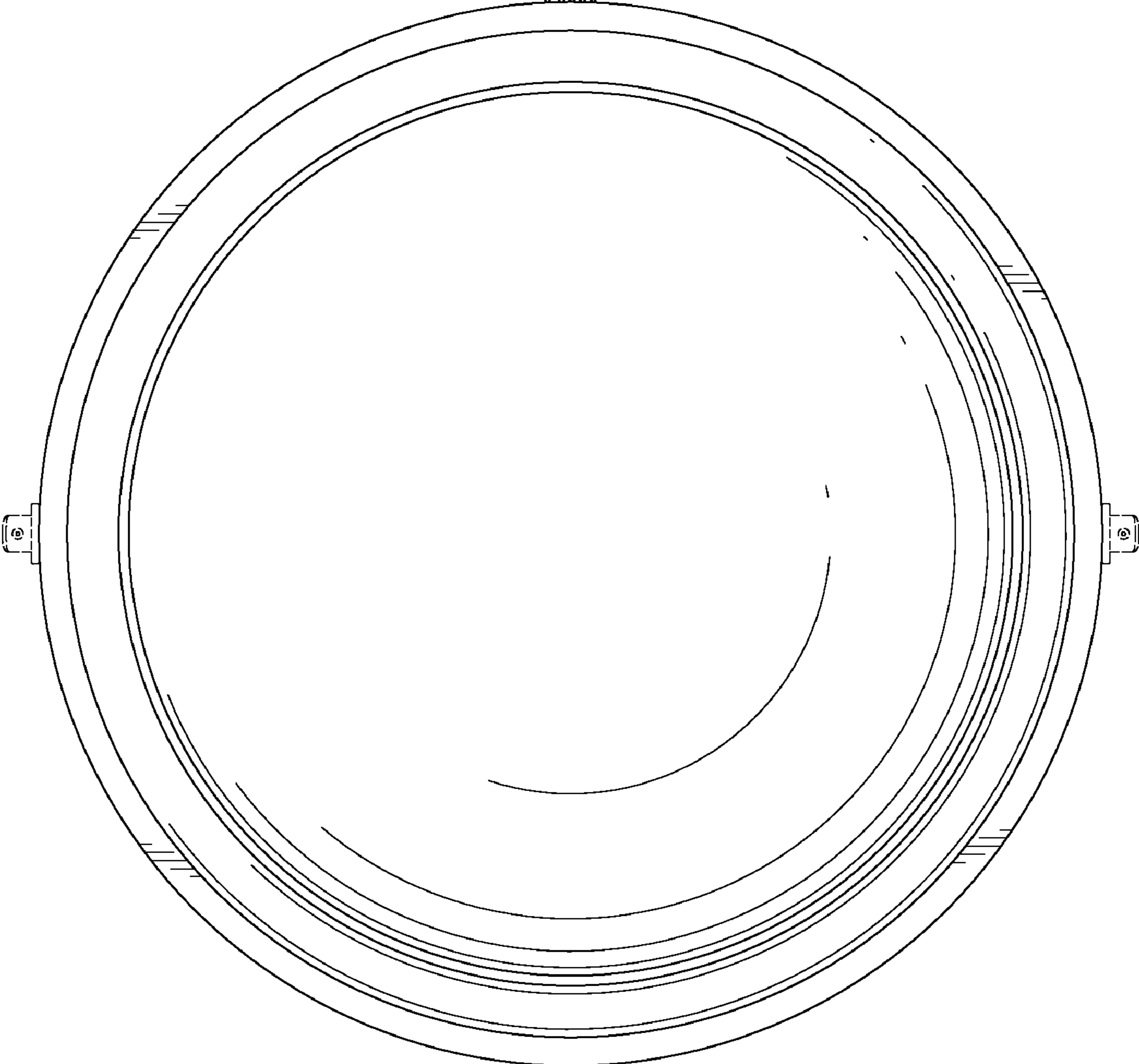


FIG. 7