



US00D595003S

(12) **United States Design Patent**
Moehrke

(10) **Patent No.:** **US D595,003 S**
(45) **Date of Patent:** **** Jun. 23, 2009**

(54) **DEVICE FOR DISPLAYING A HOROSCOPE**

(76) Inventor: **Ronelle J. Moehrke**, 1703 NE. 9th St.,
Fort Lauderdale, FL (US) 33304

(**) Term: **14 Years**

(21) Appl. No.: **29/260,443**

(22) Filed: **May 25, 2006**

Related U.S. Application Data

(63) Continuation of application No. 10/431,910, filed on
May 8, 2003, now abandoned.

(51) **LOC (9) Cl.** **26-05**

(52) **U.S. Cl.** **D26/51**

(58) **Field of Classification Search** D26/1,
D26/24, 51, 54, 93, 104, 118-119, 122; 362/84,
362/362

See application file for complete search history.

(56) **References Cited**

U.S. PATENT DOCUMENTS

D62,932 S *	8/1923	Aufiero	D26/35
2,258,351 A *	10/1941	Brown, Jr.	40/474
4,317,163 A *	2/1982	Bout	362/362
5,516,289 A *	5/1996	Quigley et al.	434/106
D420,455 S *	2/2000	Haba et al.	D26/1
6,108,277 A *	8/2000	Whitmore	368/15

* cited by examiner

Primary Examiner—Ian Simmons

Assistant Examiner—Dana L Sipos

(74) *Attorney, Agent, or Firm*—Ronald V. Davidge

(57) **CLAIM**

The ornamental design for a device for displaying a horo-
scope, as shown and described.

DESCRIPTION

FIG. 1 is a top, front, right side perspective view of a device
for displaying a horoscope showing my new design:

FIG. 2 is a front elevation view thereof;

FIG. 3 is a top plan view thereof;

FIG. 4 is a right side elevation view thereof, the left side
elevation view being a mirror image;

FIG. 5 is a rear elevation view thereof;

FIG. 6 is a bottom plan view thereof;

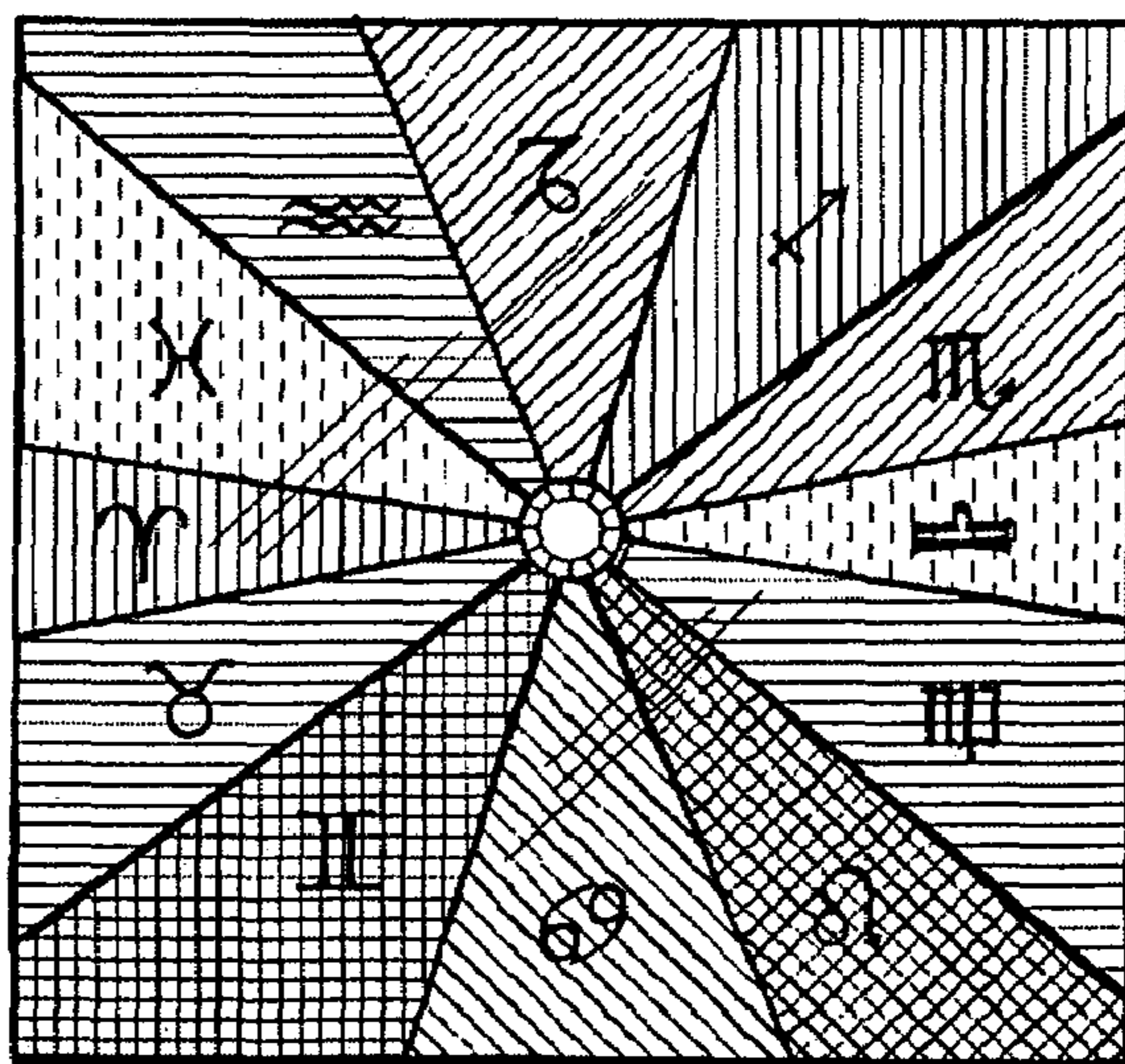
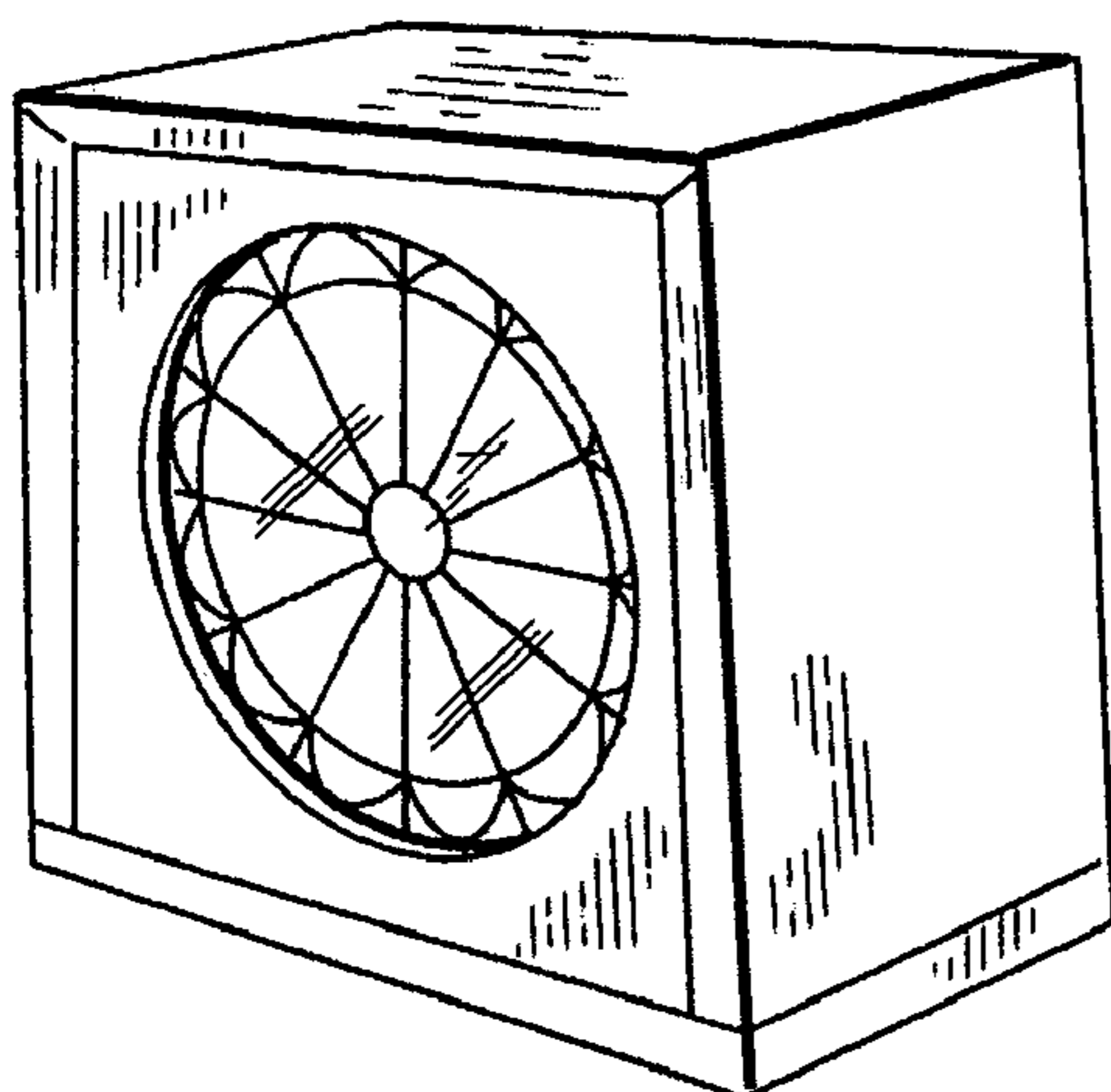
FIG. 7 is a front elevation view of a transparent plate held
inside the device of FIG. 1, just behind the front lens plate;

FIG. 8 is a front elevation view of a translucent plate held
inside the device of FIG. 1, just behind the plate of FIG. 7;
and,

FIG. 9 is a bottom plan view of the device of FIG. 1 shown
with the bottom surface removed.

The broken lines in the drawings showing the details applied
to the bottom surface, the electrical cord and the inside light
bulb illustrate the portions of the design that form no part of
the claim.

1 Claim, 3 Drawing Sheets



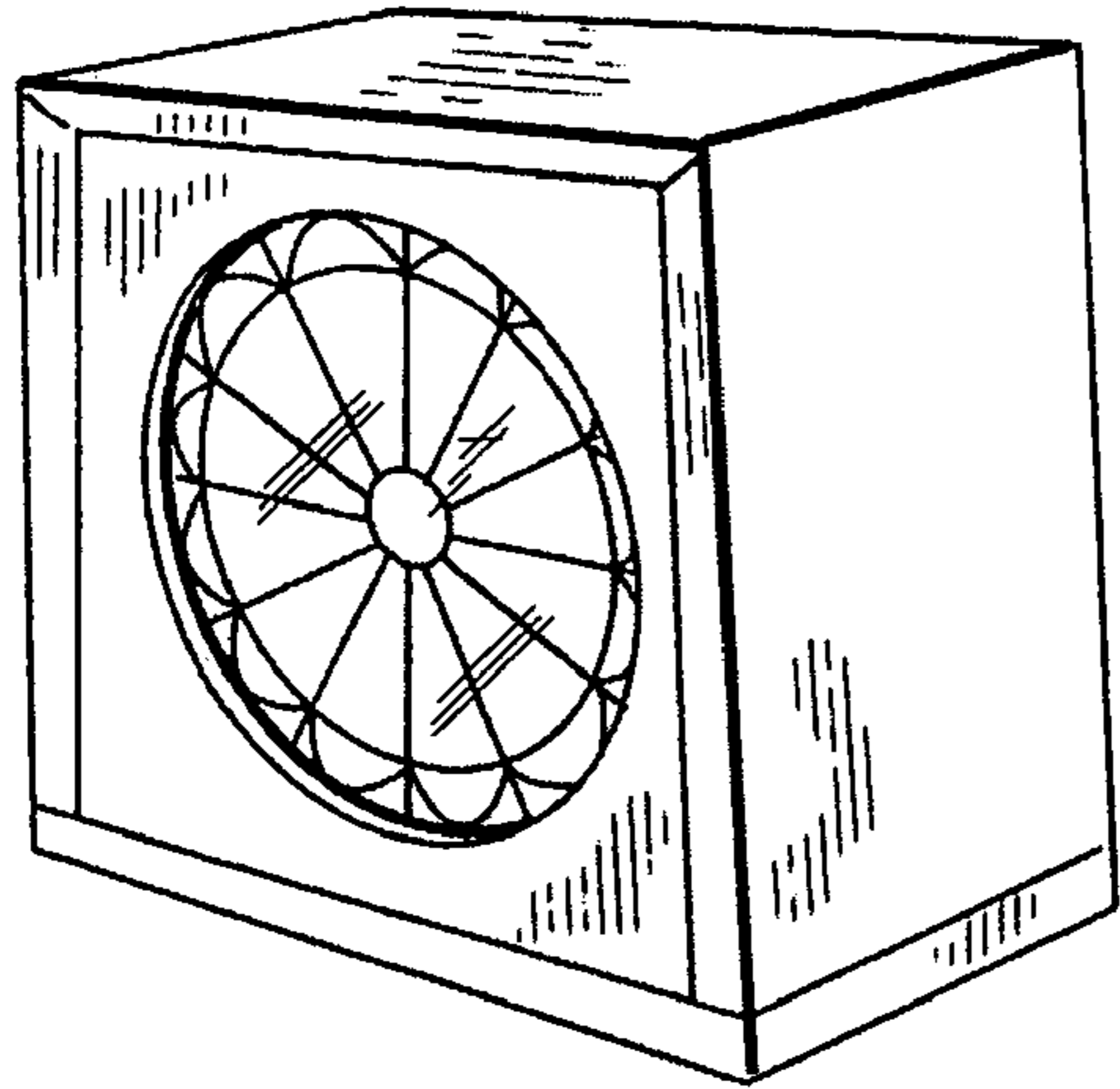


FIG. 1

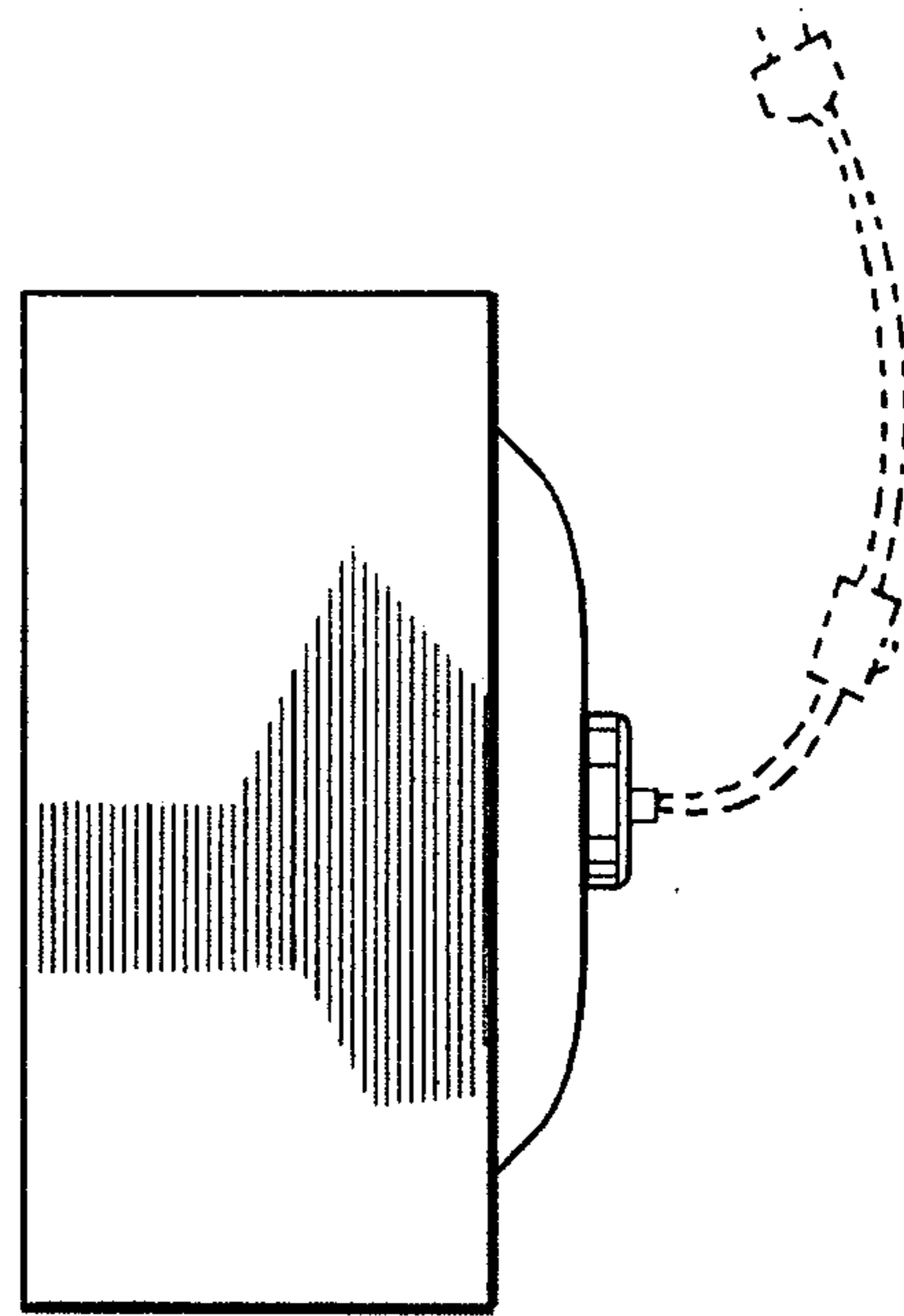


FIG. 3

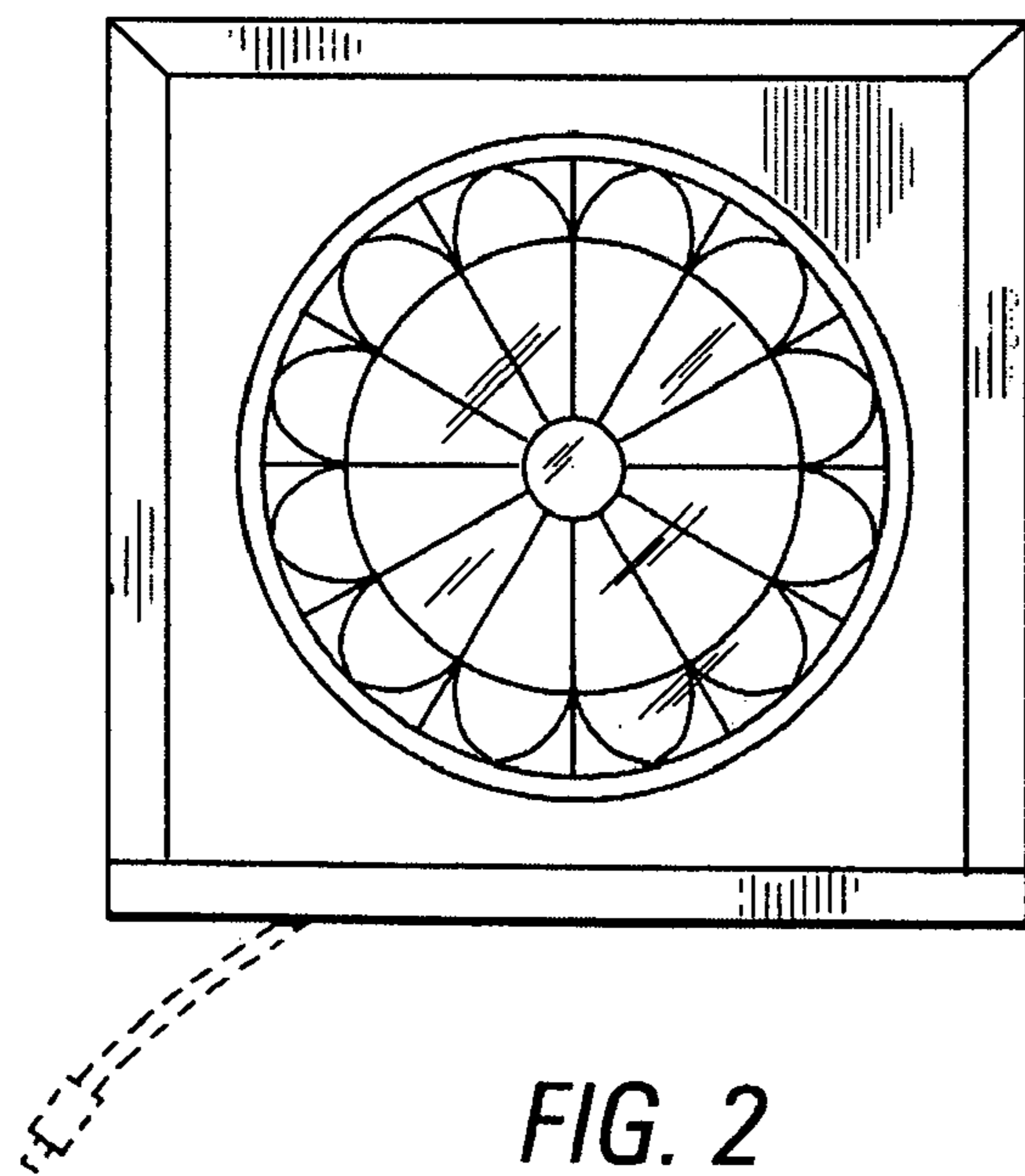


FIG. 2

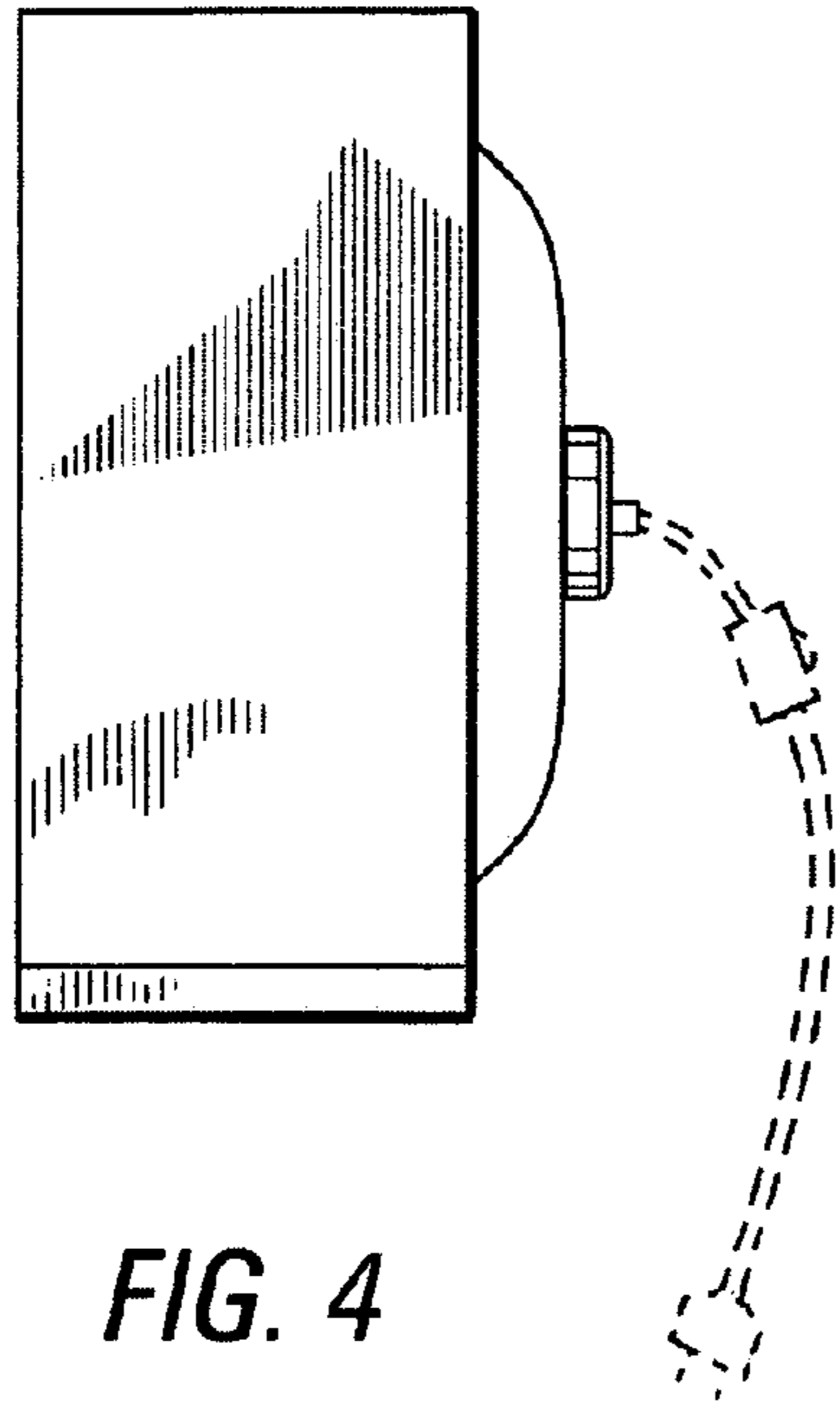


FIG. 4

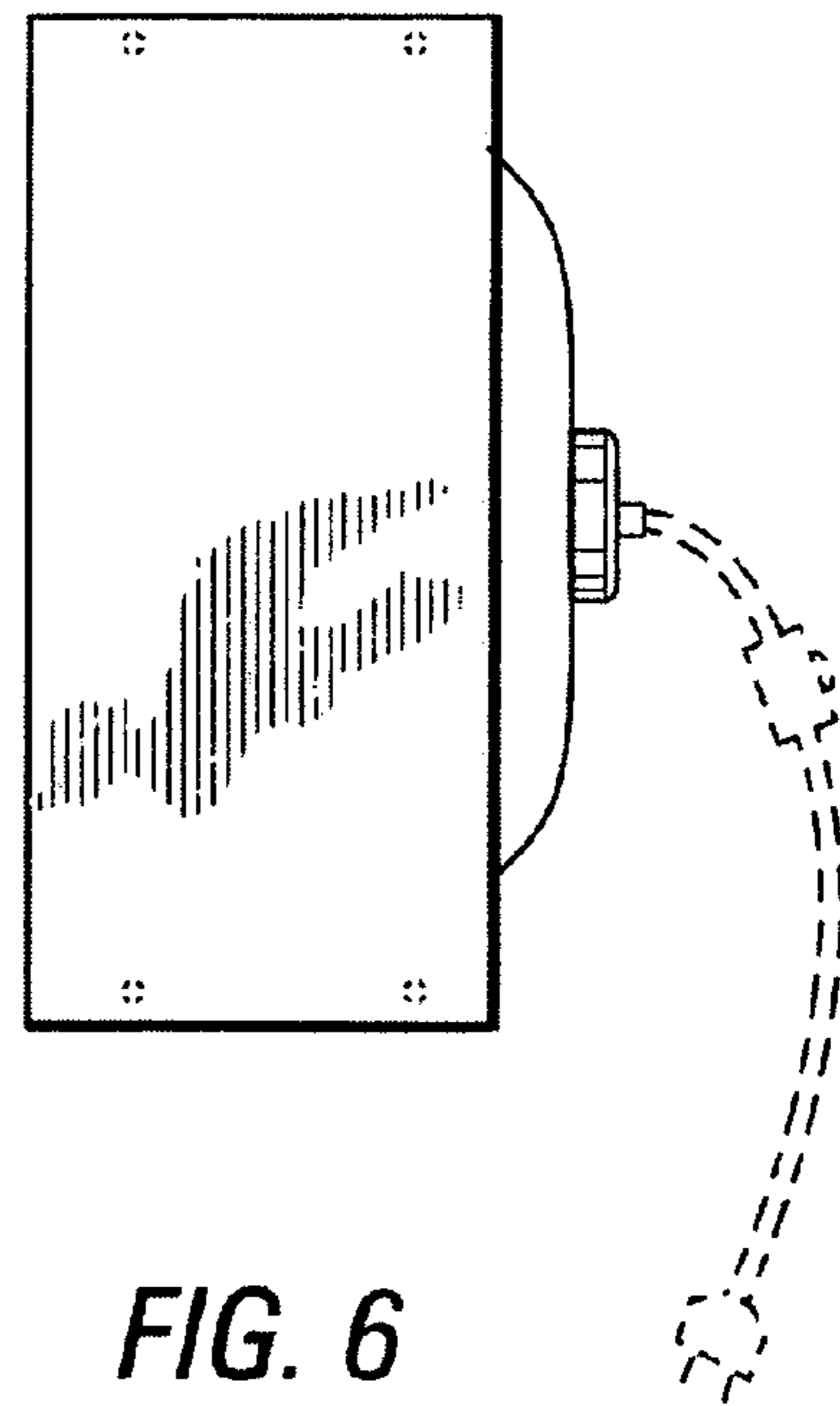


FIG. 6

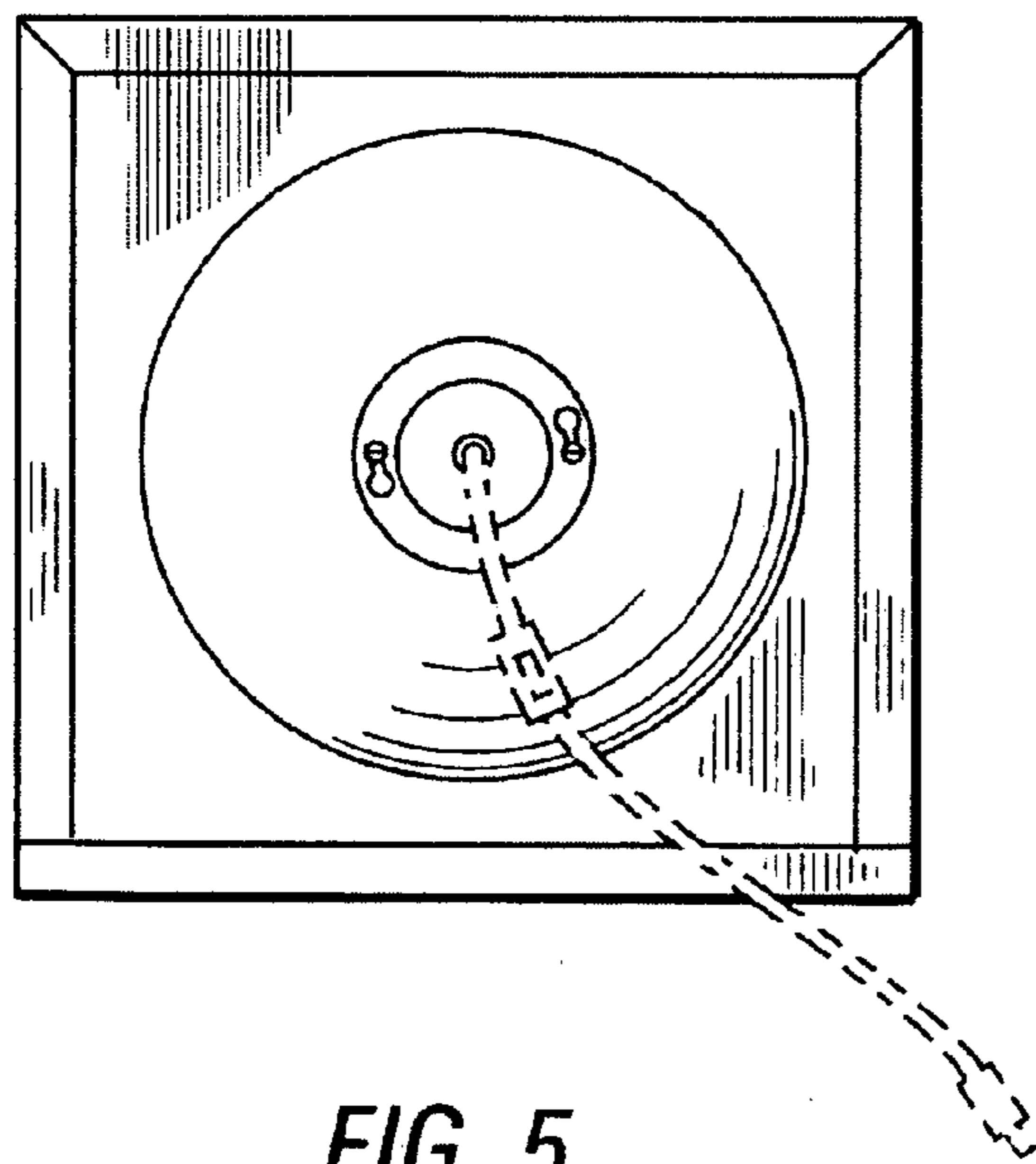


FIG. 5

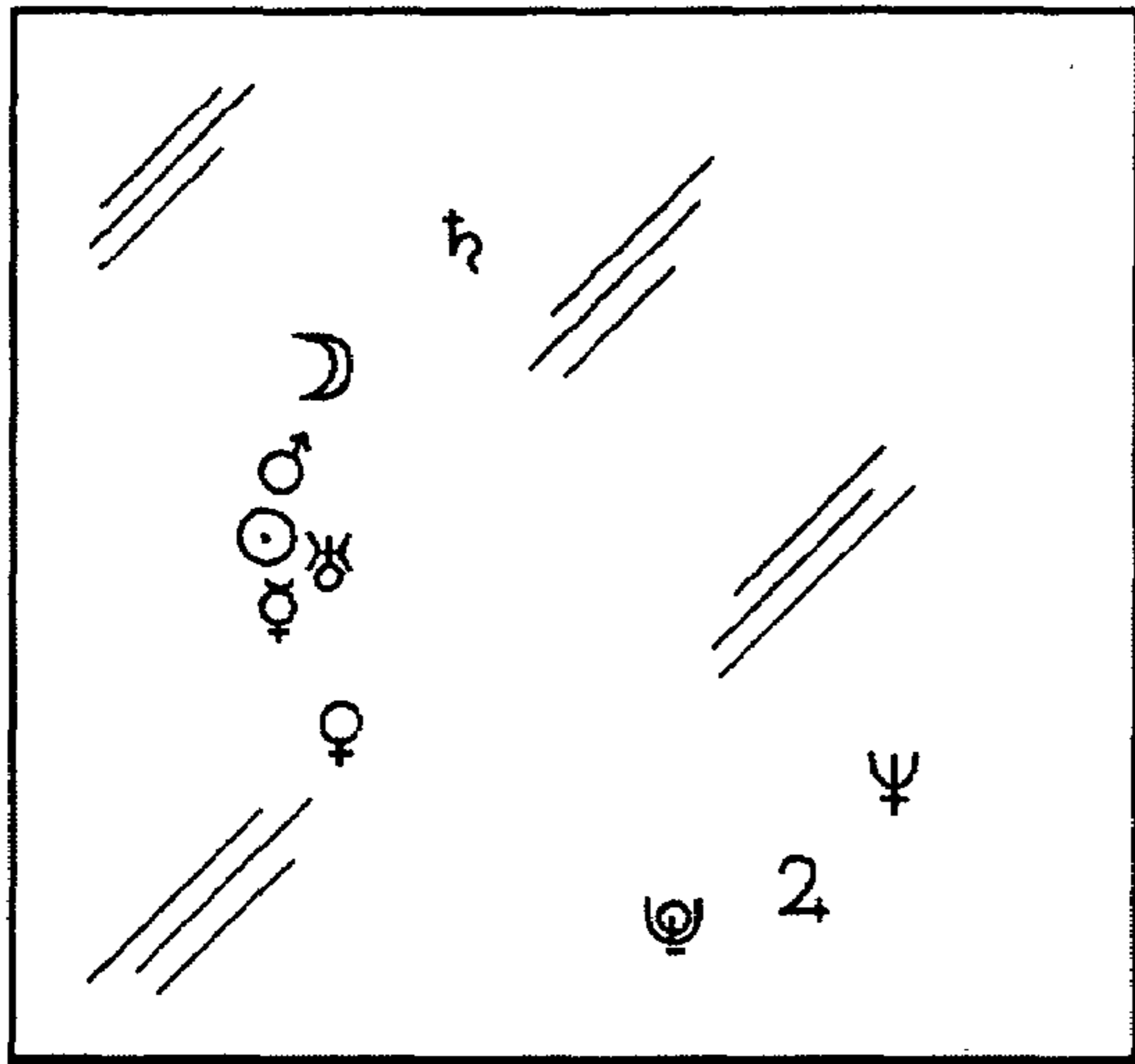


FIG. 7

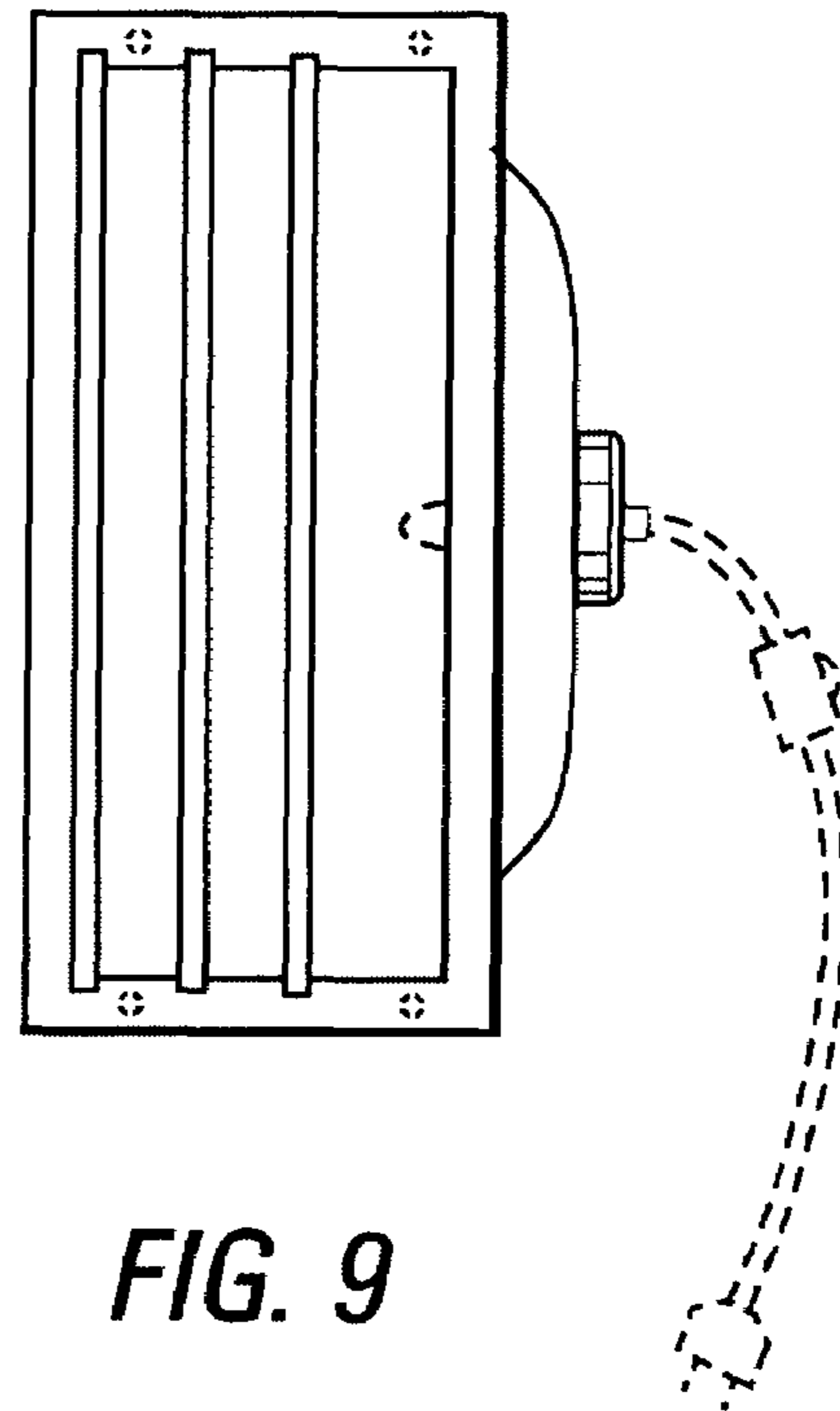


FIG. 9

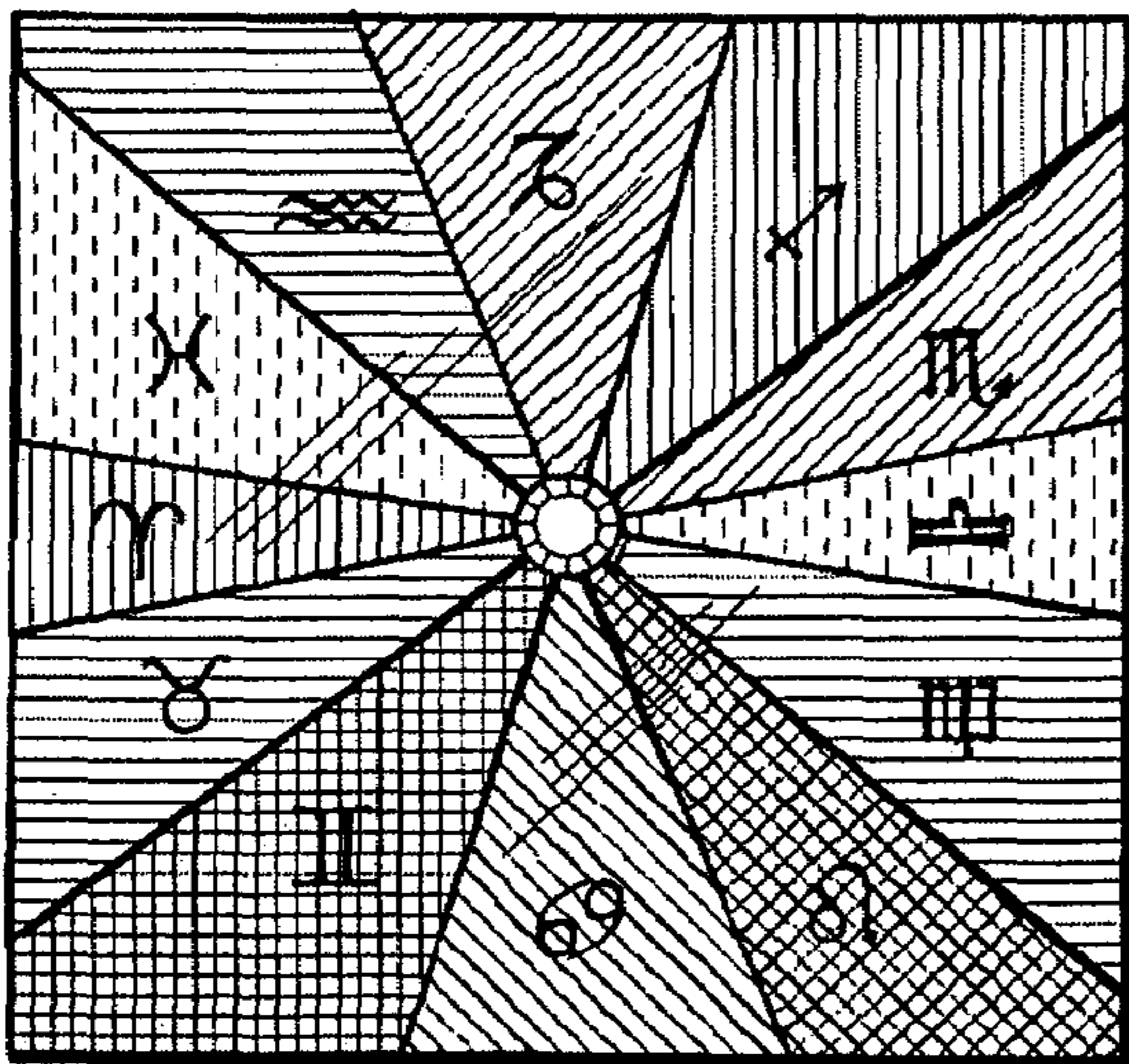


FIG. 8