



US00D595002S

(12) **United States Design Patent**  
**Han**

(10) **Patent No.:** **US D595,002 S**  
(45) **Date of Patent:** **\*\* Jun. 23, 2009**

(54) **FRONT FOG LAMP FOR VEHICLE**

(75) Inventor: **Jaedo Han**, Gyeonggi-do (KR)

(73) Assignee: **Kia Motors Corporation**, Seoul (KR)

(\*\*) Term: **14 Years**

(21) Appl. No.: **29/327,853**

(22) Filed: **Nov. 14, 2008**

(30) **Foreign Application Priority Data**

Jul. 14, 2008 (KR) ..... 30-2008-0030415

(51) **LOC (9) Cl.** ..... **26-06**

(52) **U.S. Cl.** ..... **D26/28**

(58) **Field of Classification Search** ..... D26/28-36;  
362/459-468, 475-478, 485-487

See application file for complete search history.

(56) **References Cited**

**U.S. PATENT DOCUMENTS**

- D470,257 S \* 2/2003 Byggmatar ..... D26/28
- D471,658 S \* 3/2003 Byggmatar ..... D26/28
- D510,636 S \* 10/2005 Yamamoto ..... D26/28
- D564,683 S \* 3/2008 Roach et al. .... D26/28
- D572,856 S \* 7/2008 Kehl et al. .... D26/61
- D585,575 S \* 1/2009 Crispin et al. .... D26/28

\* cited by examiner

*Primary Examiner*—Marcus A. Jackson

(74) *Attorney, Agent, or Firm*—Edwards Angell Palmer & Dodge LLP

(57) **CLAIM**

The ornamental design for a front fog lamp for vehicle, as shown and described.

**DESCRIPTION**

FIG. 1 is a perspective view of a front fog lamp for vehicle according to the present invention.

FIG. 2 is a front view of the front fog lamp for vehicle of FIG. 1.

FIG. 3 is a rear view of the front fog lamp for vehicle of FIG. 1.

FIG. 4 is a left side view of the front fog lamp for vehicle of FIG. 1.

FIG. 5 is a right side view of the front fog lamp for vehicle of FIG. 1.

FIG. 6 is a top view of the front fog lamp for vehicle of FIG. 1; and,

FIG. 7 is a bottom view of the front fog lamp for vehicle of FIG. 1.

**1 Claim, 7 Drawing Sheets**

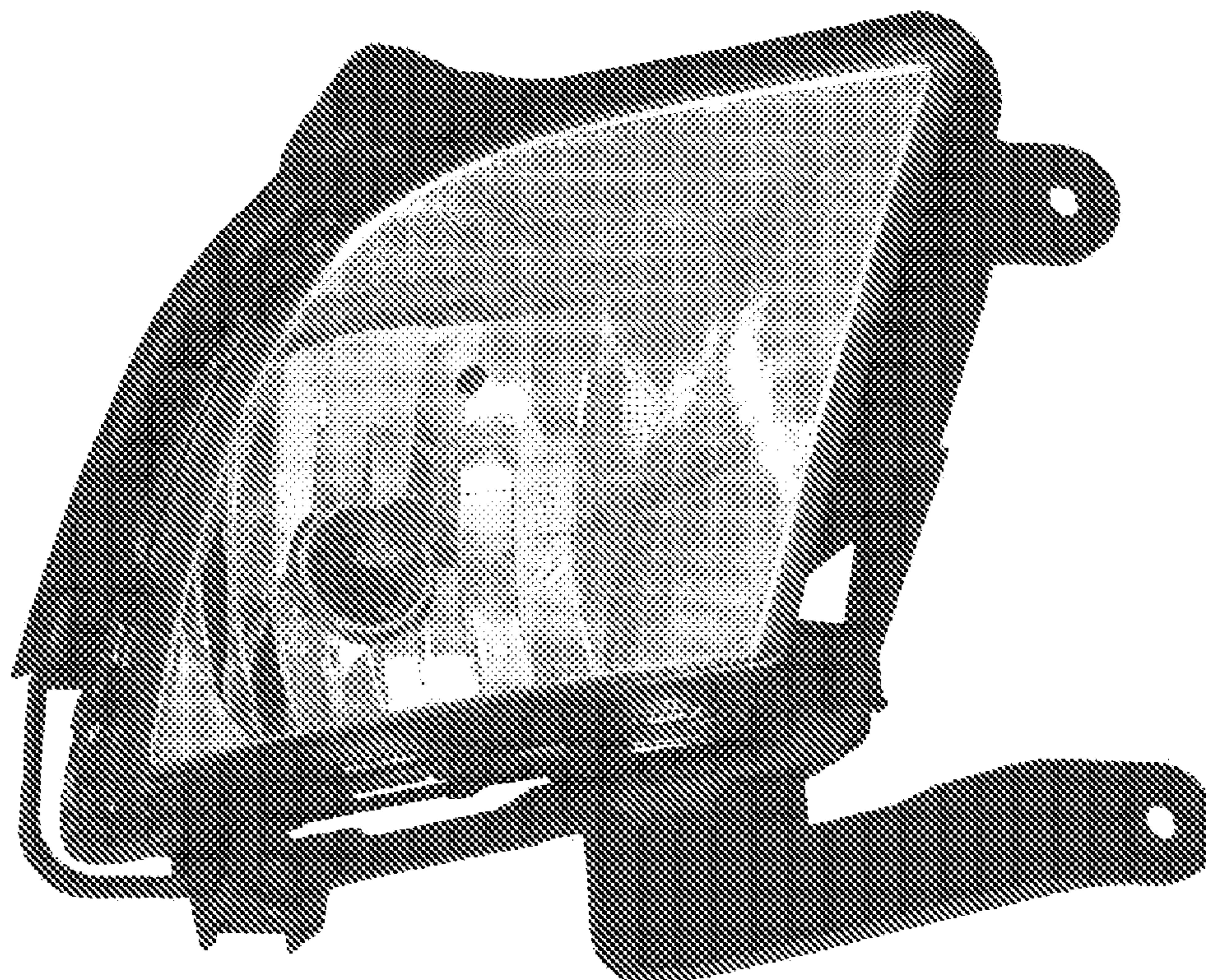


Fig. 1

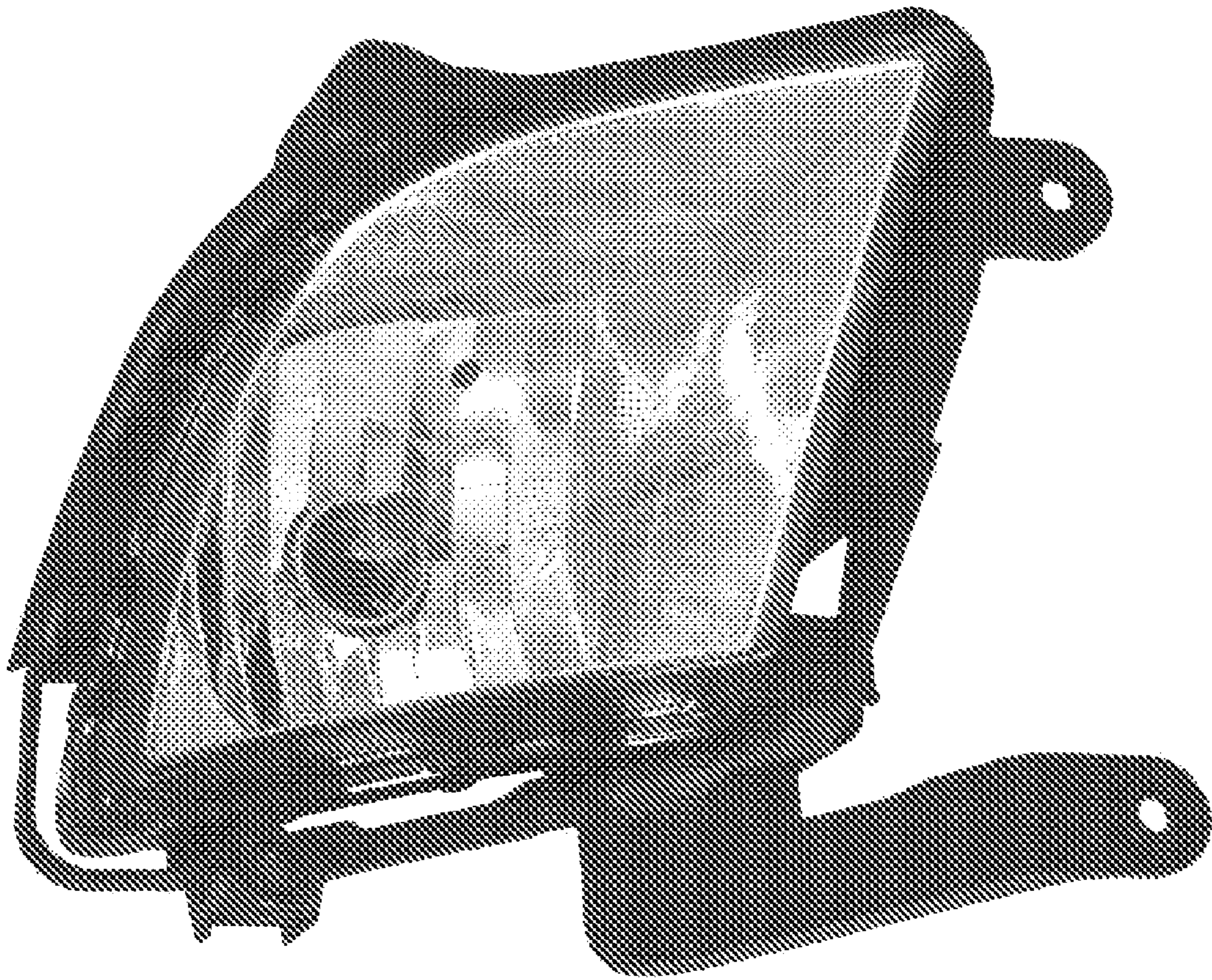


Fig. 2

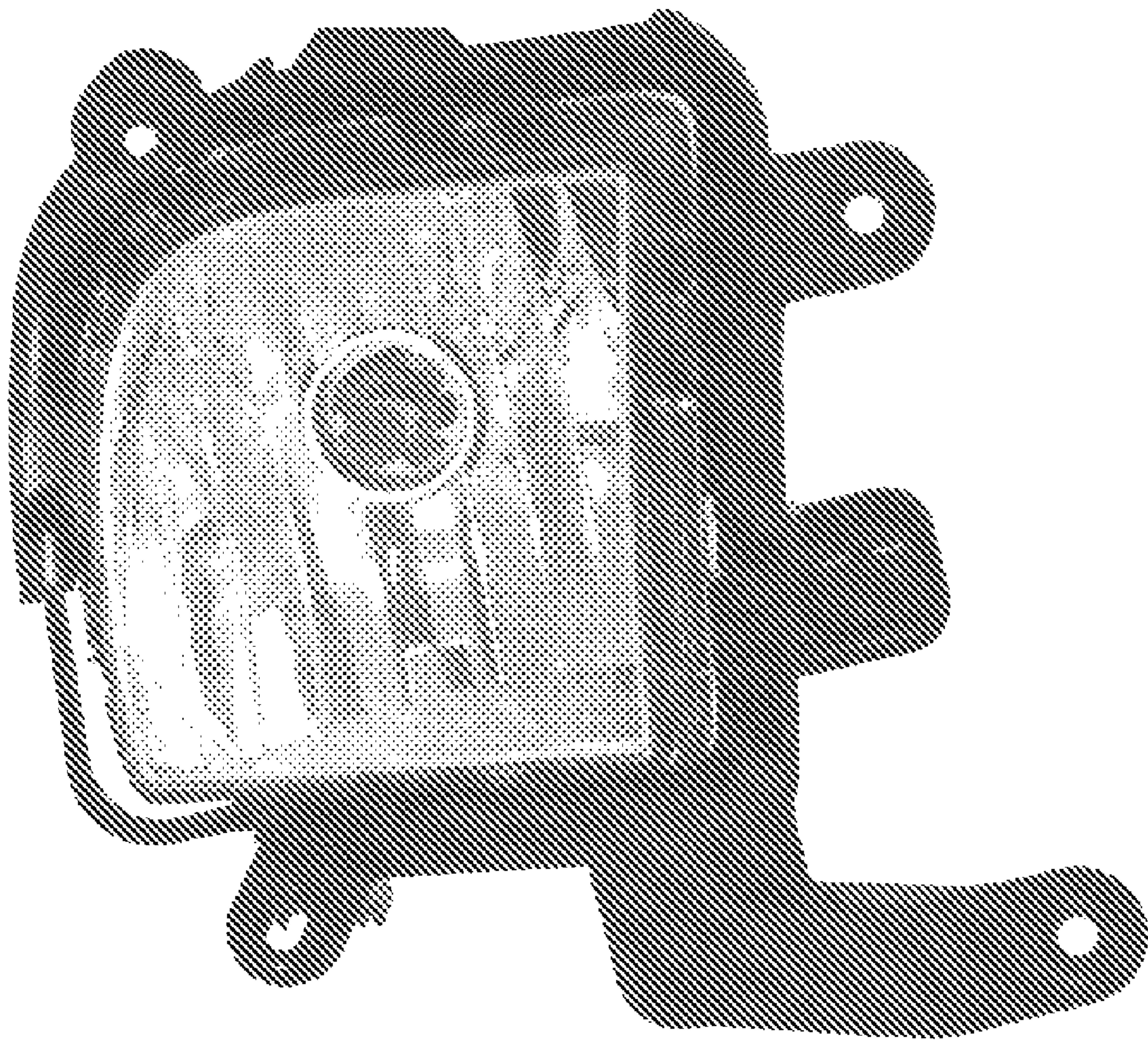


Fig. 3

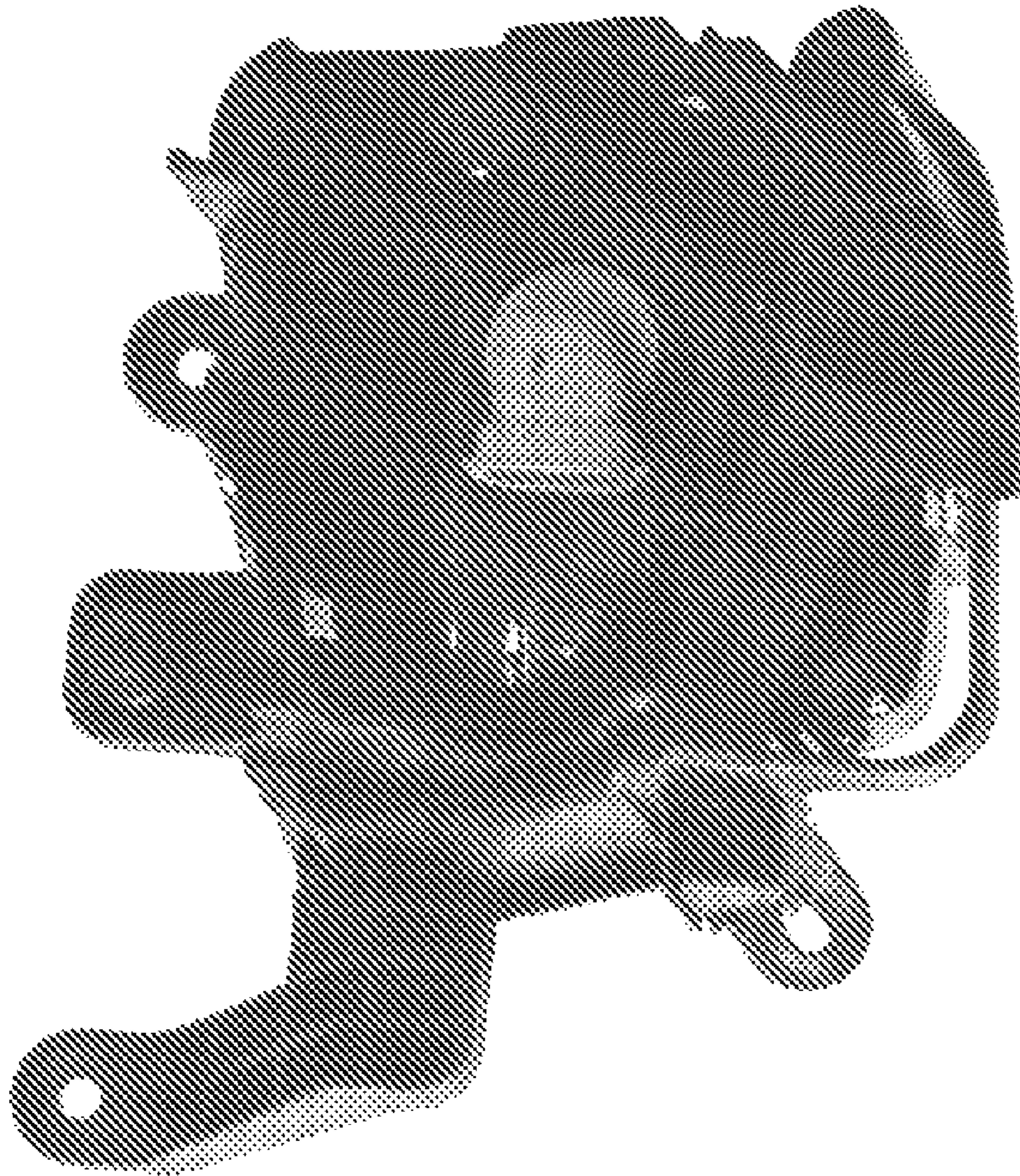


Fig. 4



Fig. 5

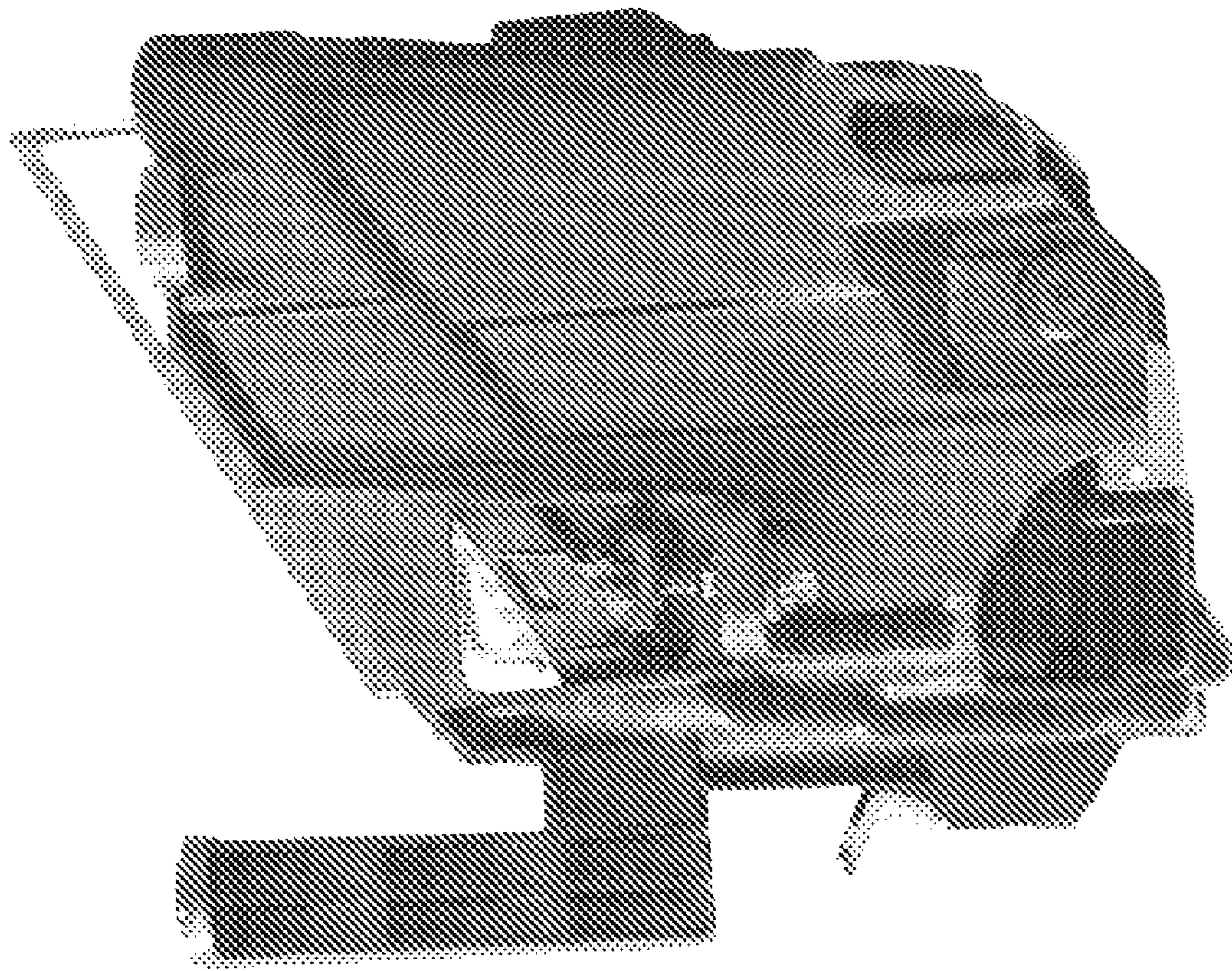


Fig. 6

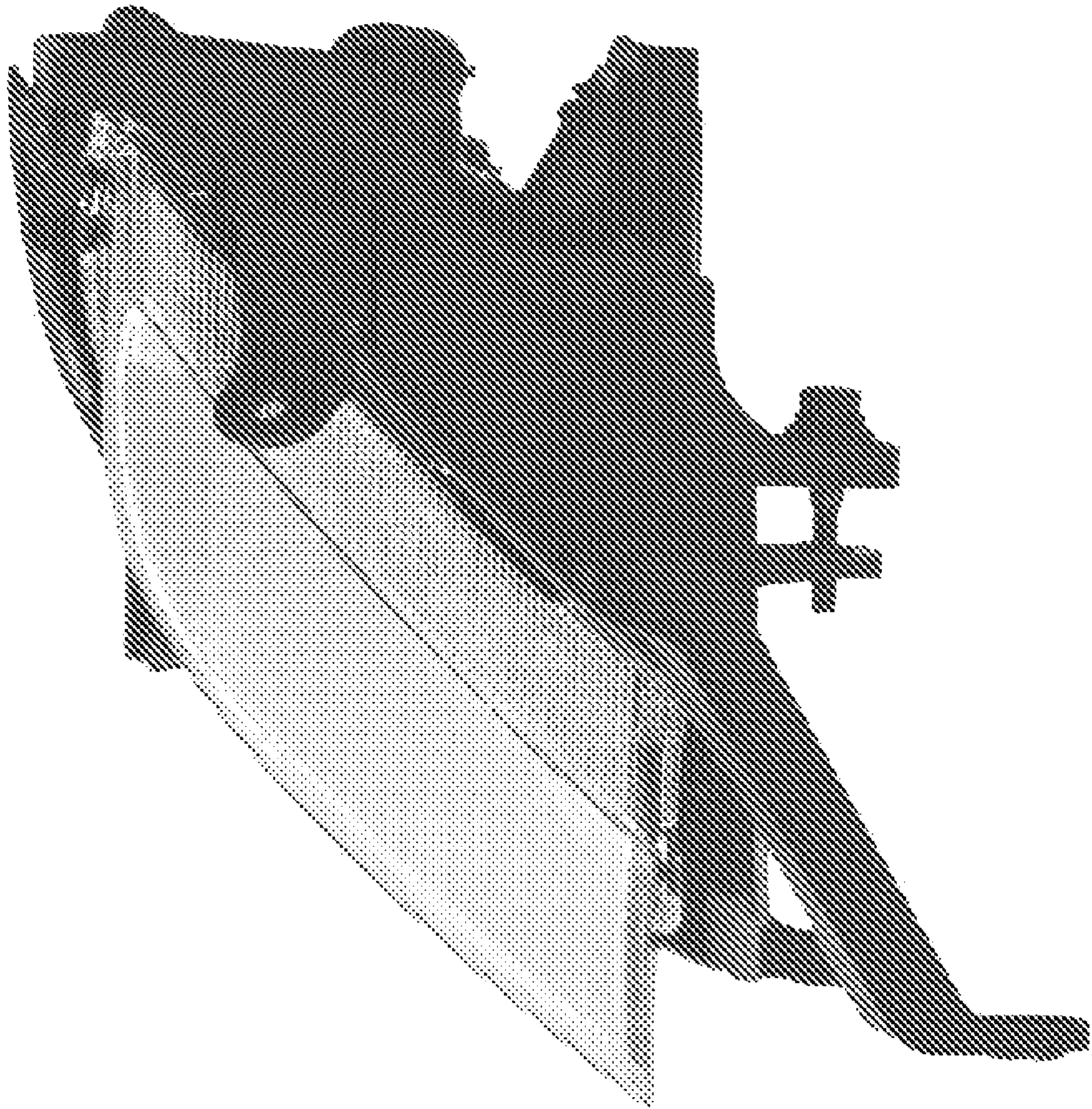


Fig. 7

