

US00D595000S

(12) **United States Design Patent**
Kusamoto

(10) **Patent No.:** **US D595,000 S**
(45) **Date of Patent:** **** Jun. 23, 2009**

(54) **REAR COMBINATION LAMP FOR AN
AUTOMOBILE**

(75) Inventor: **Youhei Kusamoto**, Yokosuka (JP)

(73) Assignee: **Toyota Jidosha Kabushiki Kaisha** (JP)

(**) Term: **14 Years**

(21) Appl. No.: **29/325,675**

(22) Filed: **Oct. 3, 2008**

(51) **LOC (9) Cl.** **26-06**

(52) **U.S. Cl.** **D26/28**

(58) **Field of Classification Search** D26/28-36;
362/459-468, 475-478, 485-487

See application file for complete search history.

(56) **References Cited**

U.S. PATENT DOCUMENTS

D549,363 S *	8/2007	Pfeiffer	D26/28
D552,769 S *	10/2007	Leclercq	D26/28
D553,268 S *	10/2007	Pfeiffer	D26/28
D553,269 S *	10/2007	Pfeiffer et al.	D26/28

OTHER PUBLICATIONS

Toyota Ractis, Brochure of Ractis, Dec. 2007, Toyota Jidosha Kabushiki Kaisha.

Toyota Raum, Brochure of Raum, Dec. 2006, Toyota Jidosha Kabushiki Kaisha.

* cited by examiner

Primary Examiner—Marcus A. Jackson

(74) *Attorney, Agent, or Firm*—SAIDMAN DesignLaw Group

(57) **CLAIM**

The ornamental design for a rear combination lamp for an automobile, as shown and described.

DESCRIPTION

FIG. 1 is a perspective view of a rear combination lamp for an automobile showing my new design;

FIG. 2 is a front view thereof;

FIG. 3 is a rear view thereof;

FIG. 4 is a top view thereof;

FIG. 5 is a bottom view thereof;

FIG. 6 is a left-side thereof; and,

FIG. 7 is a right-side view thereof.

1 Claim, 2 Drawing Sheets



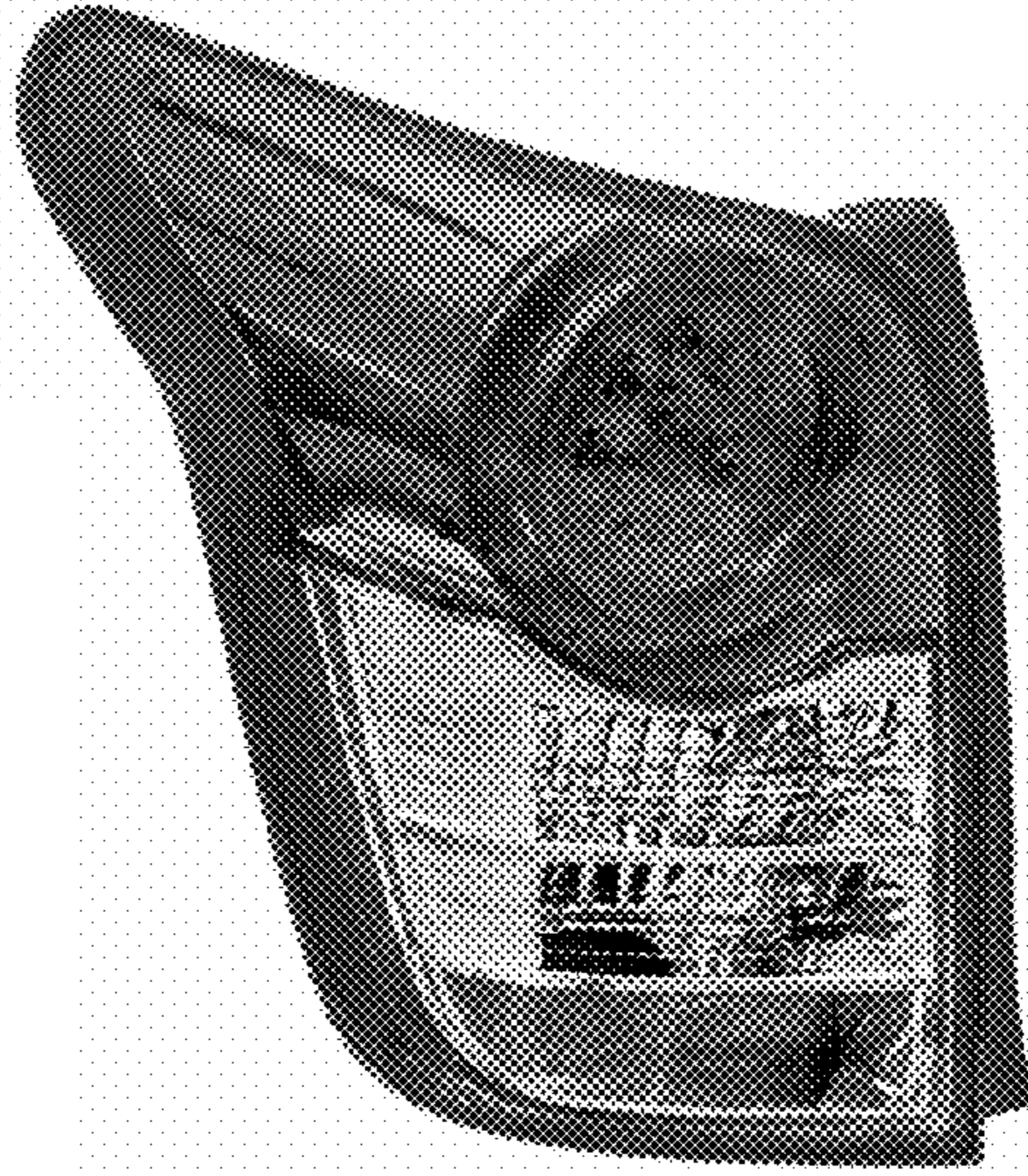


Fig. 1

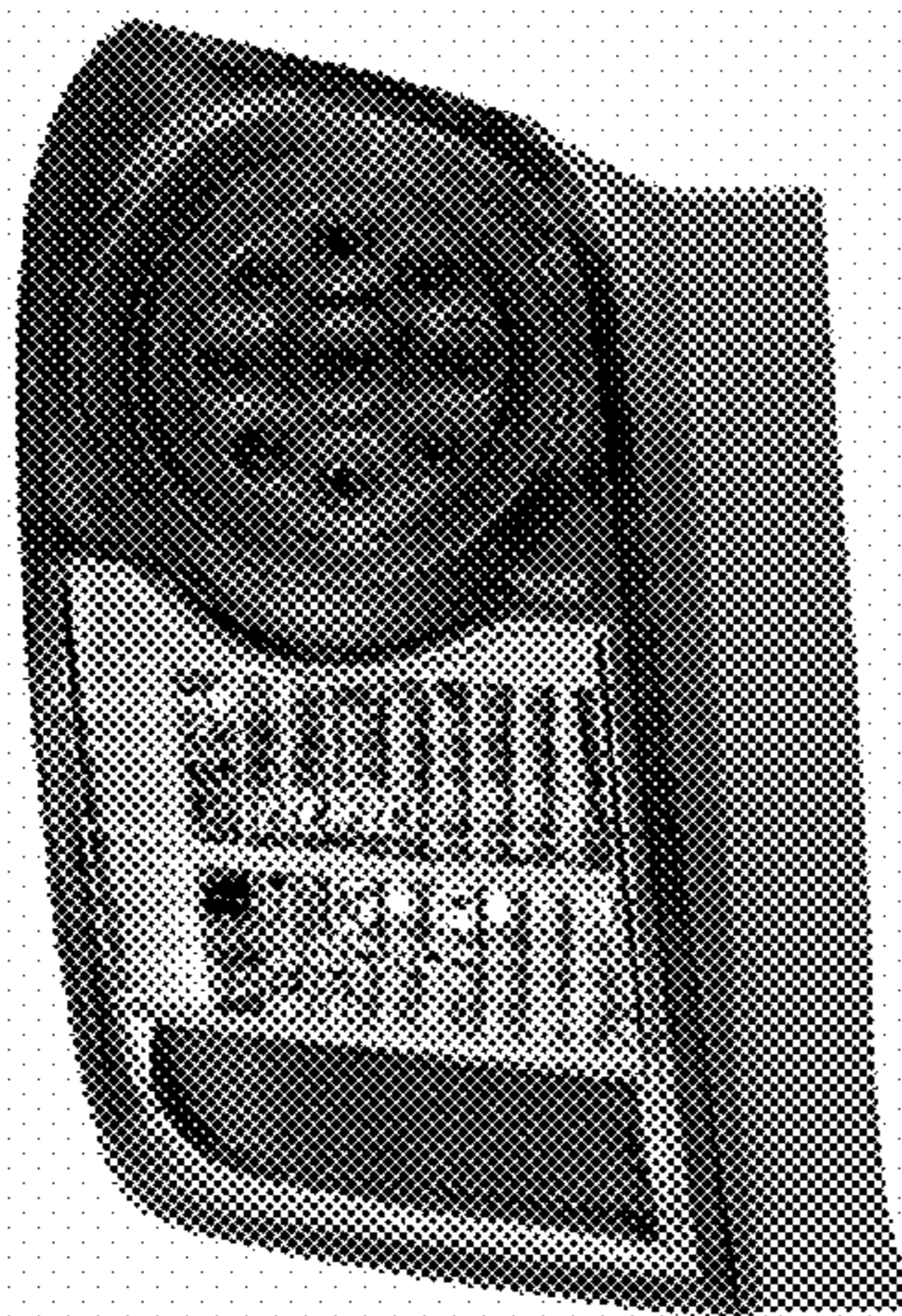


Fig. 2

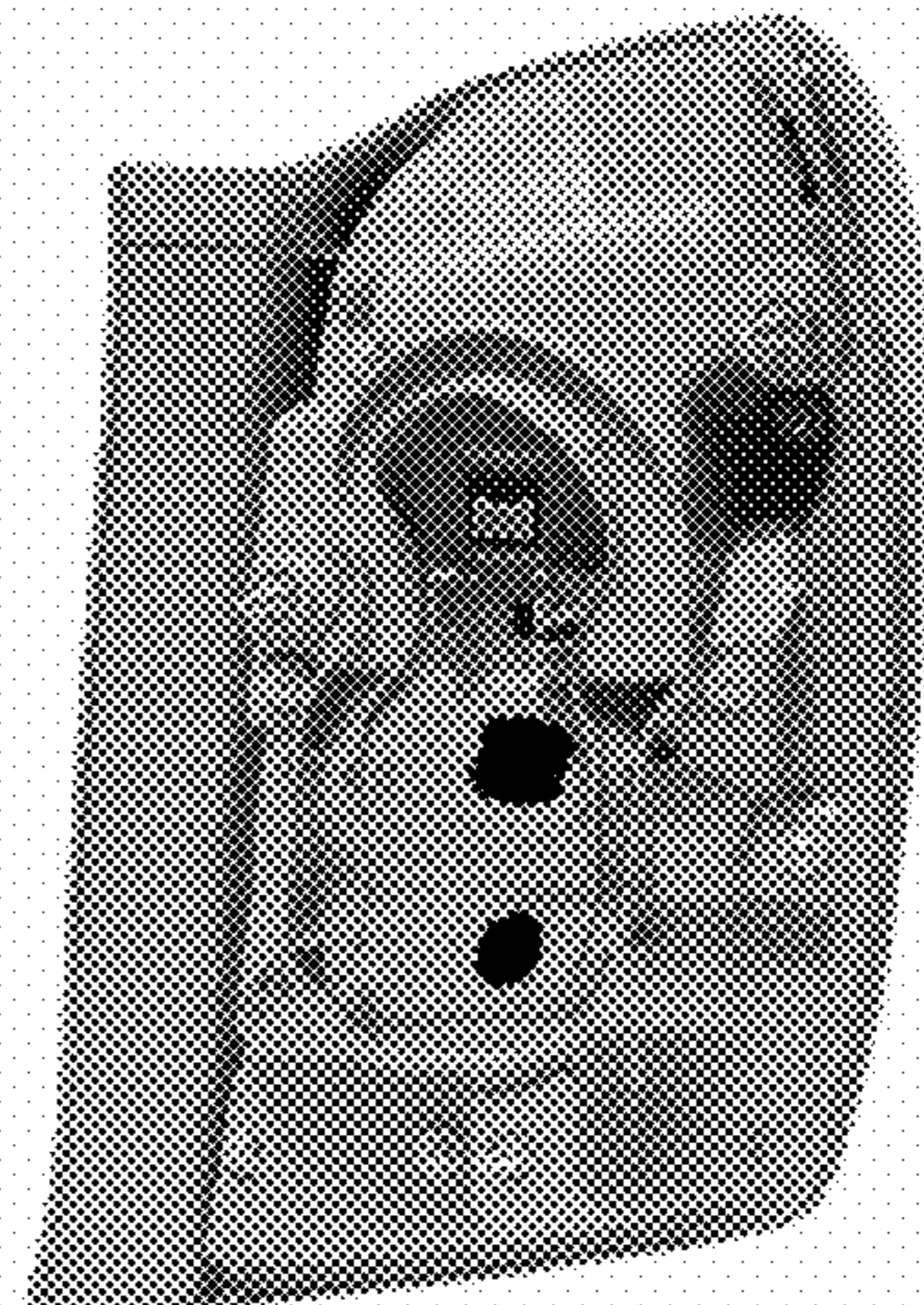


Fig. 3

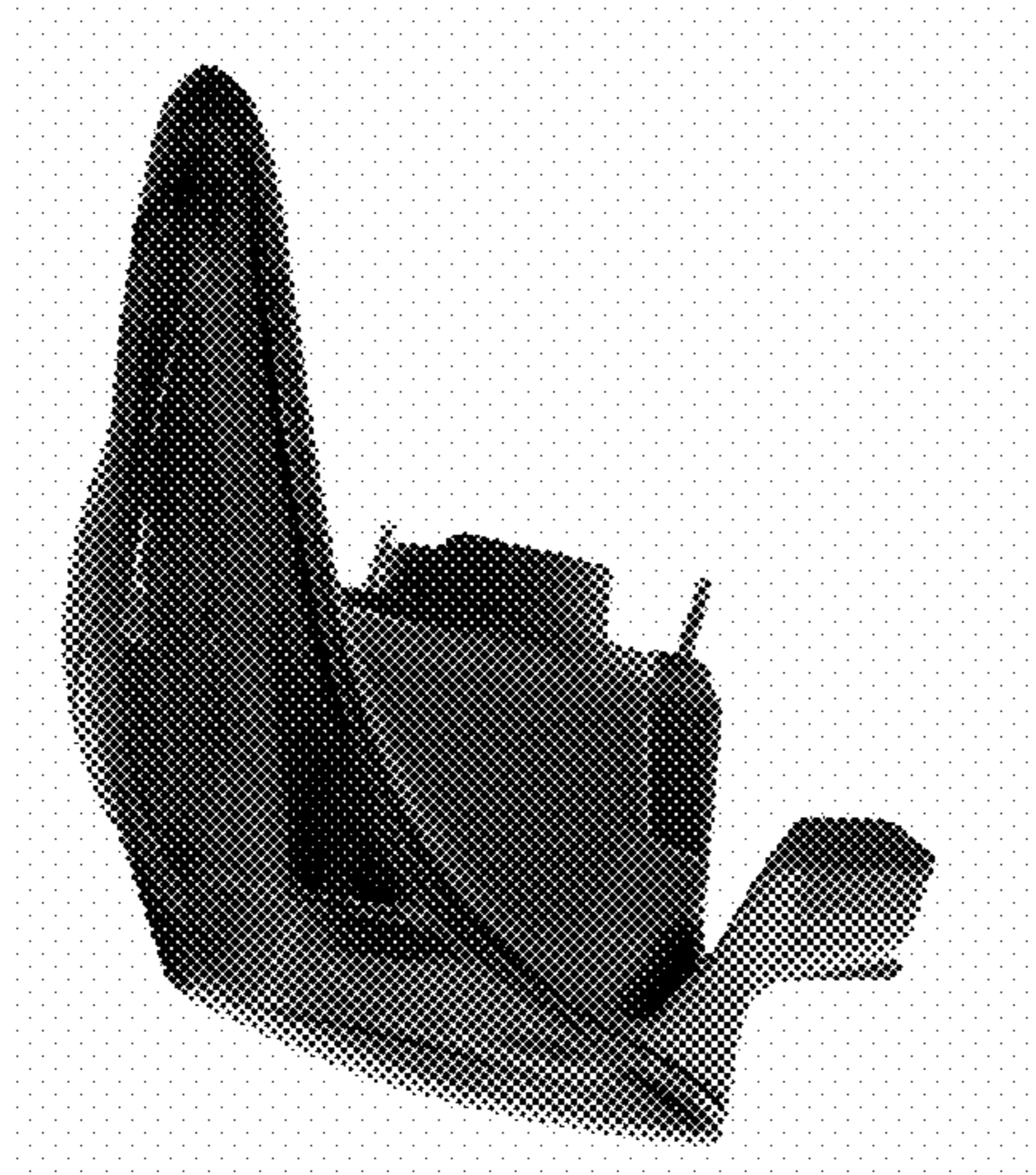


Fig. 4



Fig. 5



Fig. 6

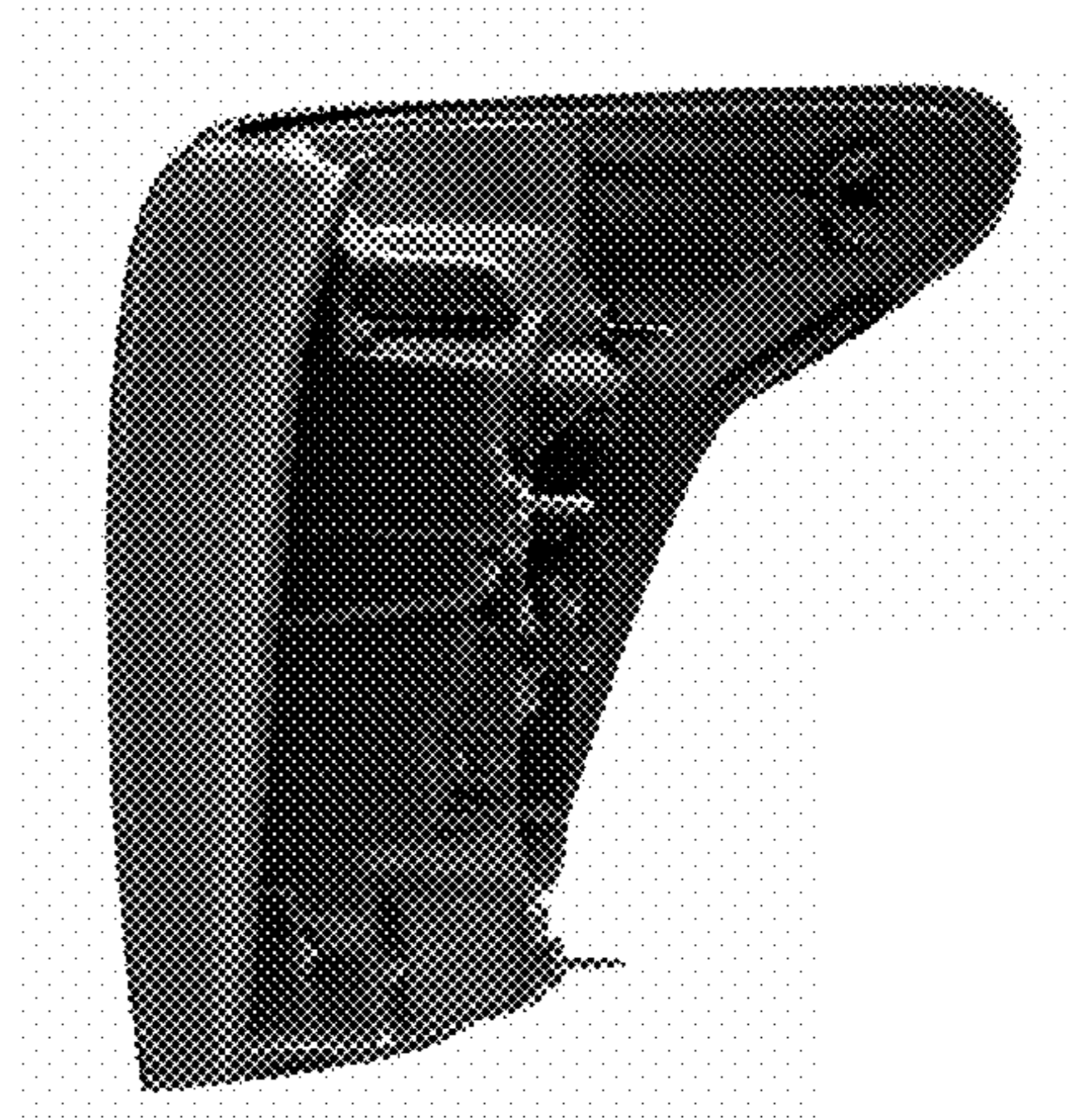


Fig. 7