



US00D594999S

(12) **United States Design Patent**
Uchida et al.

(10) **Patent No.:** **US D594,999 S**
(45) **Date of Patent:** **** Jun. 23, 2009**

(54) **FLUORESCENT LAMP**
(75) Inventors: **Noriyuki Uchida**, Osaka (JP); **Shiro Iida**, Osaka (JP)
(73) Assignee: **Panasonic Corporation**, Osaka (JP)
(**) Term: **14 Years**
(21) Appl. No.: **29/330,867**
(22) Filed: **Jan. 15, 2009**

D560,023 S 1/2008 Kitagawa et al.
D570,002 S 5/2008 Kitagawa et al.
D574,093 S * 7/2008 Kitagawa et al. D26/3
D576,749 S * 9/2008 Kitagawa et al. D26/3
D577,138 S * 9/2008 Kitagawa et al. D26/37

FOREIGN PATENT DOCUMENTS

JP D1107694 5/2001
JP D1201342 4/2004

* cited by examiner

Primary Examiner—Marcus A. Jackson
(74) *Attorney, Agent, or Firm*—Brinks Hofer Gilson & Lione

(30) **Foreign Application Priority Data**
Nov. 7, 2008 (JP) 2008-028603
(51) **LOC (9) Cl.** **26-04**
(52) **U.S. Cl.** **D26/3**
(58) **Field of Classification Search** D26/1-4;
313/313, 315, 317, 318, 493; 315/52, 53,
315/56, 57, 58
See application file for complete search history.

(57) **CLAIM**

We claim the ornamental design for a fluorescent lamp, as shown and described.

DESCRIPTION

FIG. 1 is a top perspective view of a fluorescent lamp of the present invention;
FIG. 2 is a front view thereof;
FIG. 3 is a rear view thereof;
FIG. 4 is a first side view thereof;
FIG. 5 is a second side view thereof;
FIG. 6 is a top view thereof; and,
FIG. 7 is a bottom view thereof.

1 Claim, 7 Drawing Sheets

(56) **References Cited**
U.S. PATENT DOCUMENTS
D506,274 S * 6/2005 Moriyama et al. D26/3
D550,379 S * 9/2007 Hoshikawa et al. D26/25
D557,858 S 12/2007 Kitagawa et al.
D557,860 S 12/2007 Kitagawa et al.
D557,861 S 12/2007 Kitagawa et al.
D558,916 S 1/2008 Kitagawa et al.
D558,917 S 1/2008 Kitagawa et al.

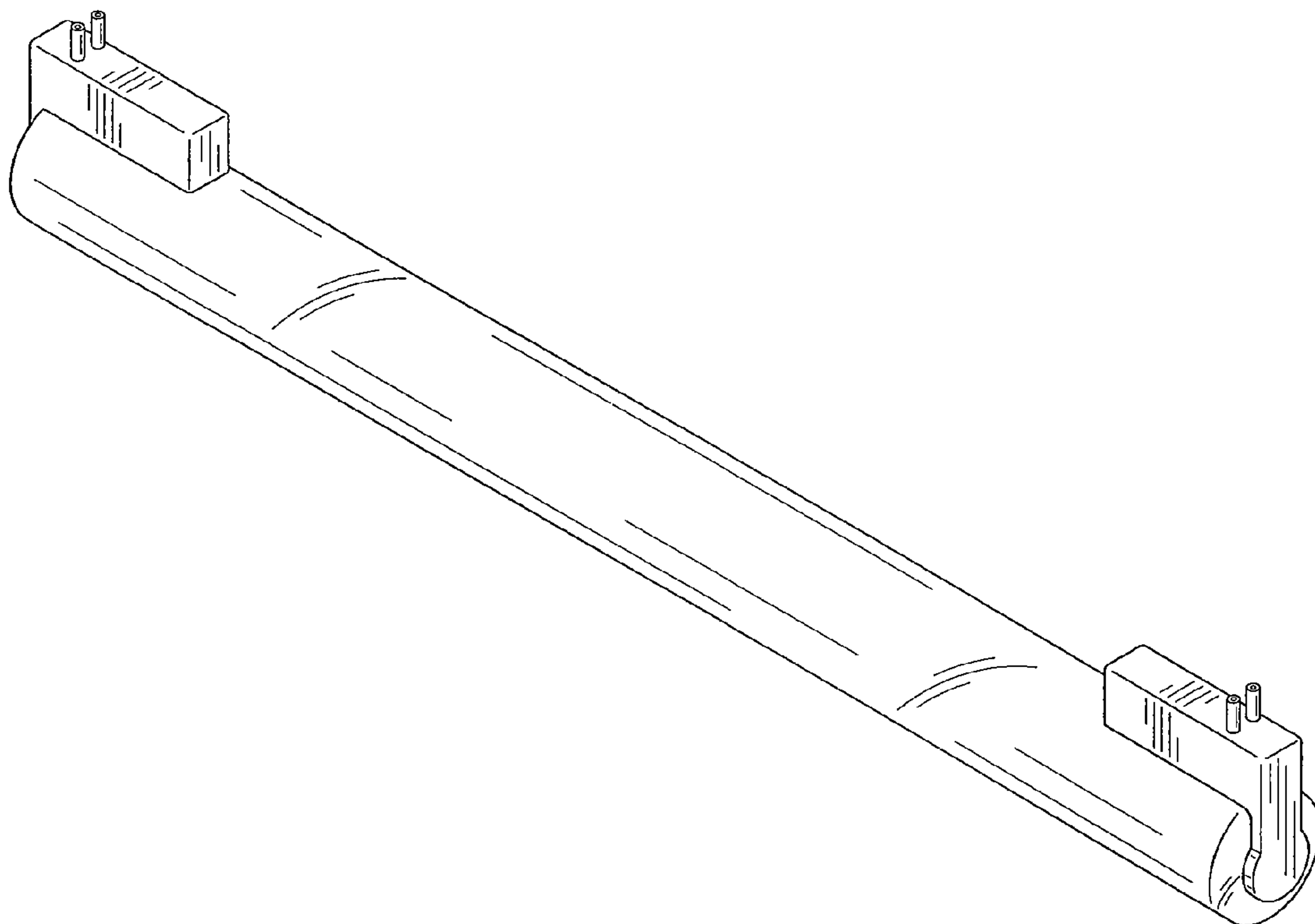


FIG. 1

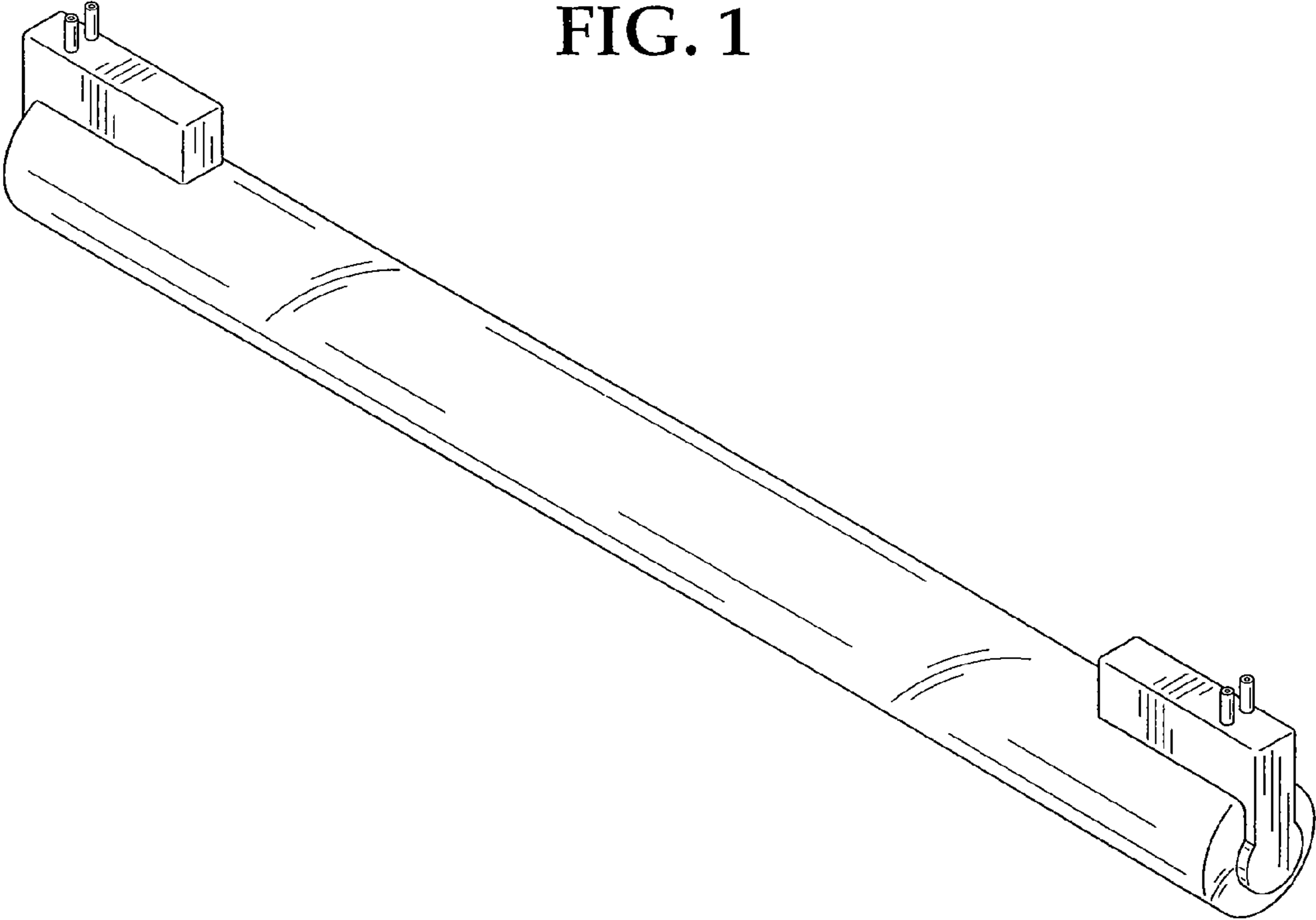


FIG. 2

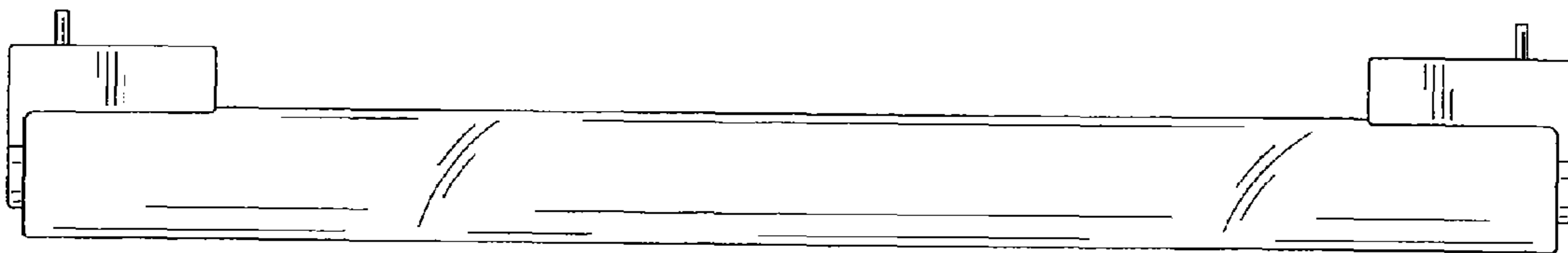


FIG. 3

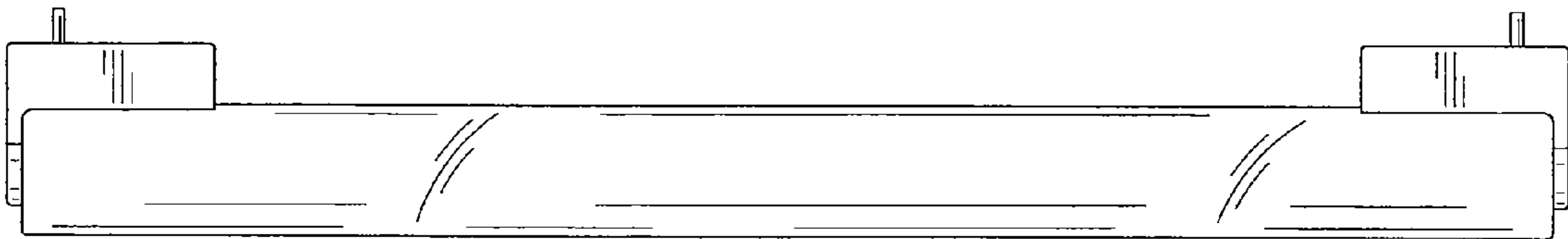


FIG. 4

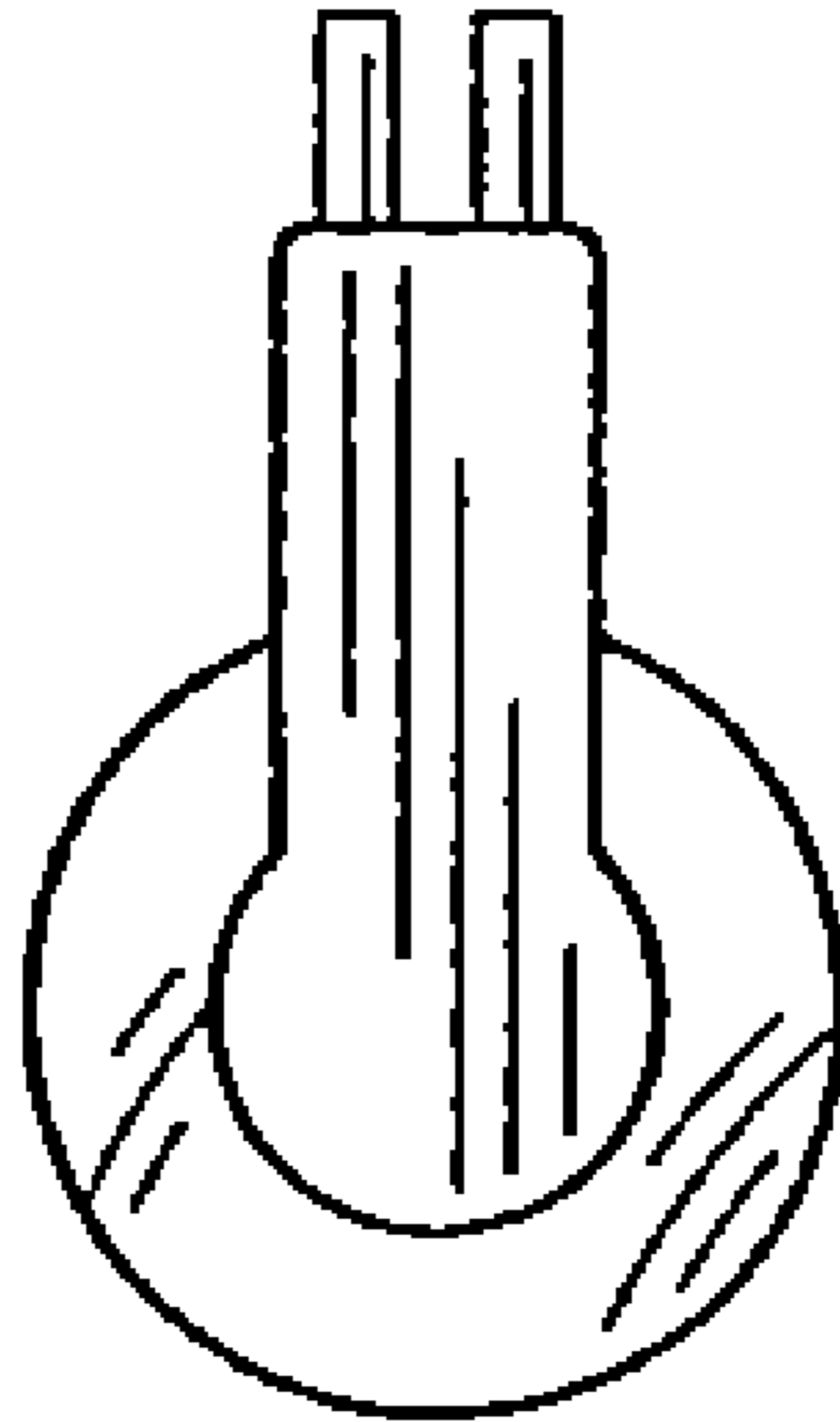


FIG. 5

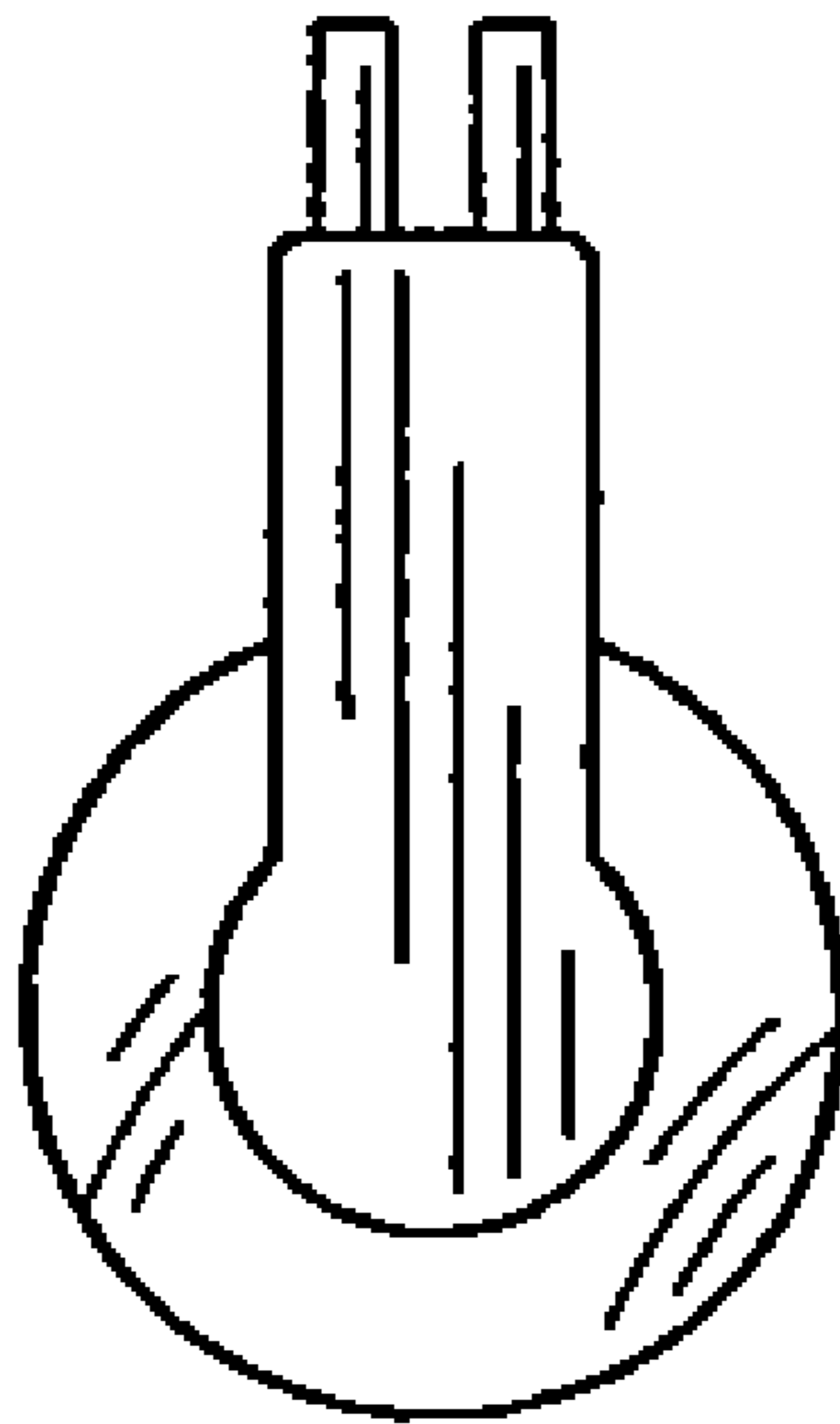


FIG. 6

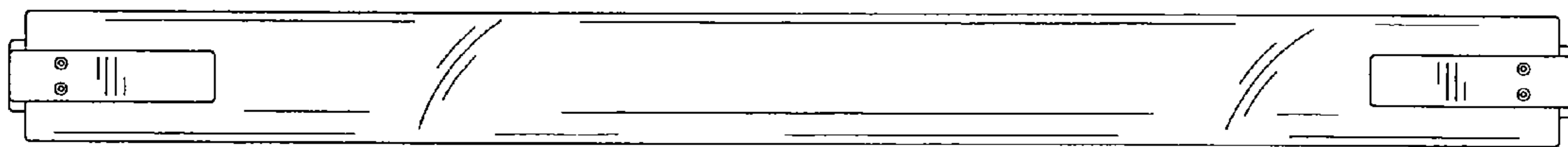


FIG. 7

