

US00D594998S

(12) **United States Design Patent**
Zhu et al.

(10) **Patent No.:** **US D594,998 S**

(45) **Date of Patent:** **** Jun. 23, 2009**

(54) **LED SPOT LIGHT**

D581,554 S * 11/2008 To et al. D26/2
D582,578 S * 12/2008 Tsai et al. D26/2
D584,428 S * 1/2009 Li et al. D26/2

(75) Inventors: **Qing Shan Zhu**, Sichuan Province (CN);
Yiu Yee Ho, Sichuan Province (CN)

(73) Assignee: **Sichuan Jiuzhou Mingwell Solid-State Lighting, Co., Ltd.**, Sichun Province (CN)

* cited by examiner

Primary Examiner—Marcus A. Jackson

(**) Term: **14 Years**

(57) **CLAIM**

(21) Appl. No.: **29/328,660**

The ornamental design for a LED spot light, as shown.

(22) Filed: **Nov. 28, 2008**

DESCRIPTION

(51) **LOC (9) Cl.** **26-04**

FIG. 1 is a front elevational view of a LED spot light showing our new design;

(52) **U.S. Cl.** **D26/2**

FIG. 2 is a rear elevational view thereof;

(58) **Field of Classification Search** D26/1-4;
313/313, 315, 317, 318, 493; 315/52, 53,
315/56, 57, 58

FIG. 3 is a left side view thereof;

FIG. 4 is a right side view thereof;

See application file for complete search history.

FIG. 5 is a top plan view thereof;

FIG. 6 is a bottom plan view thereof; and,

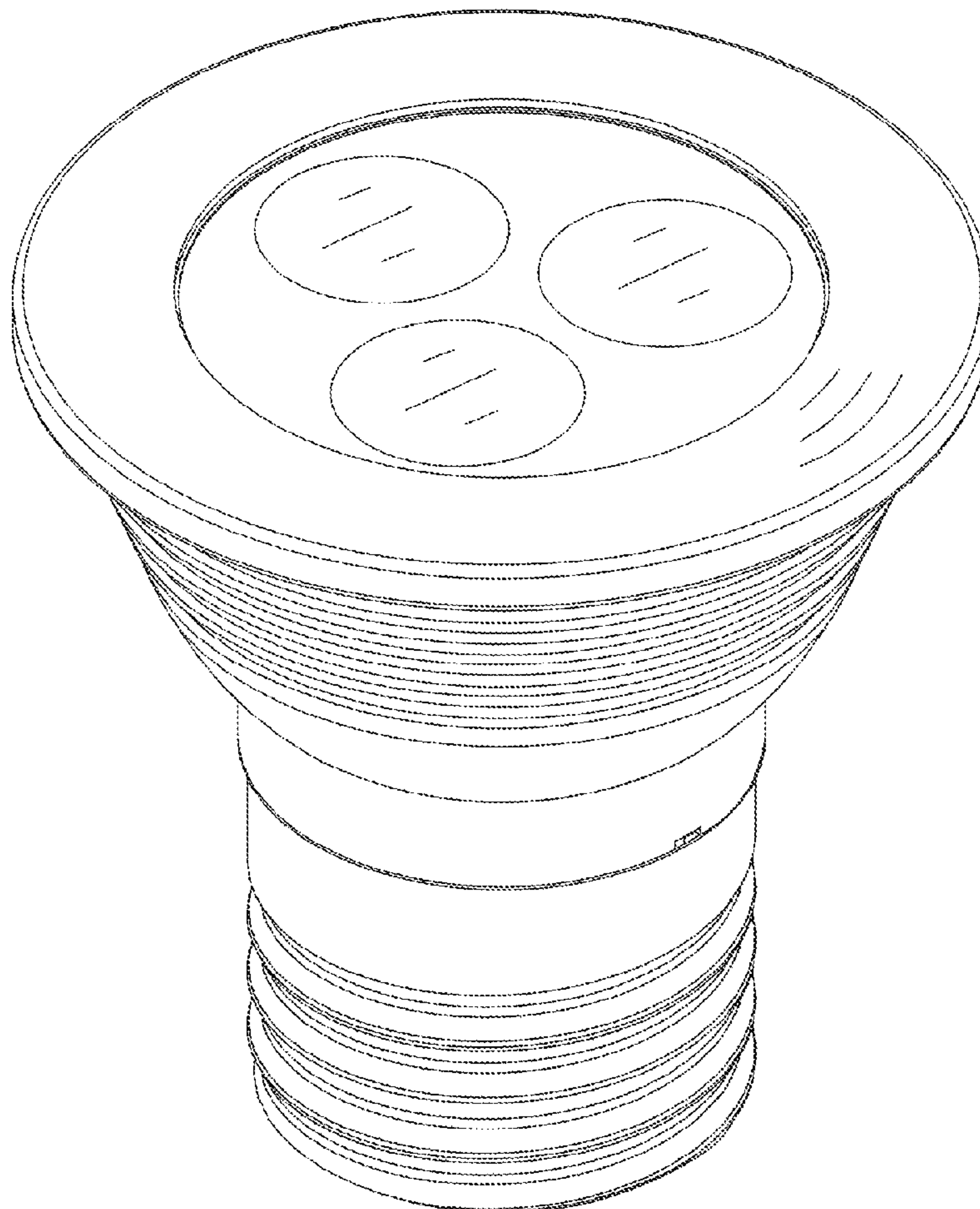
FIG. 7 is a perspective view thereof.

(56) **References Cited**

U.S. PATENT DOCUMENTS

D551,784 S * 9/2007 Krieglmeier et al. D26/2

1 Claim, 7 Drawing Sheets



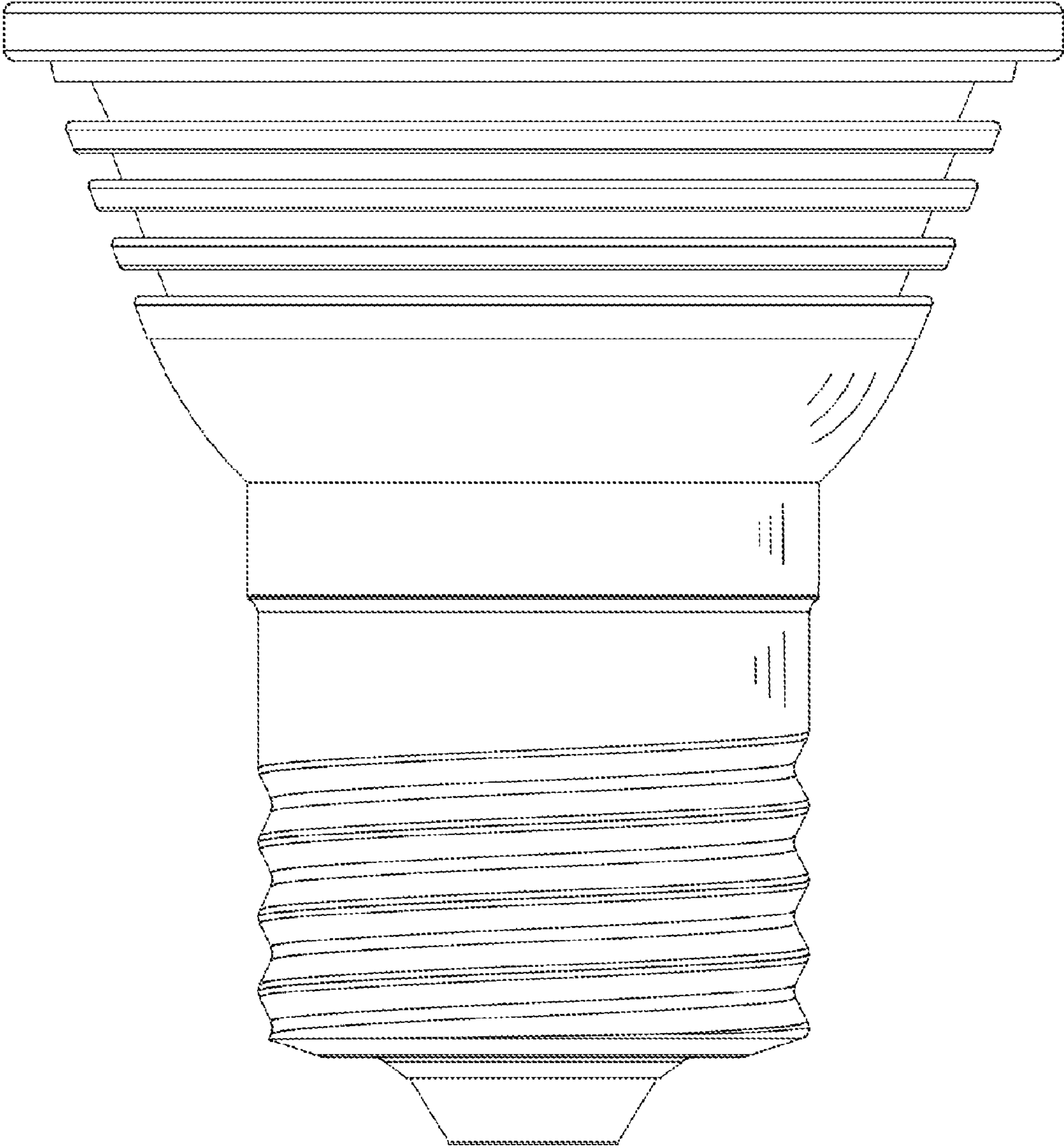


FIG. 1

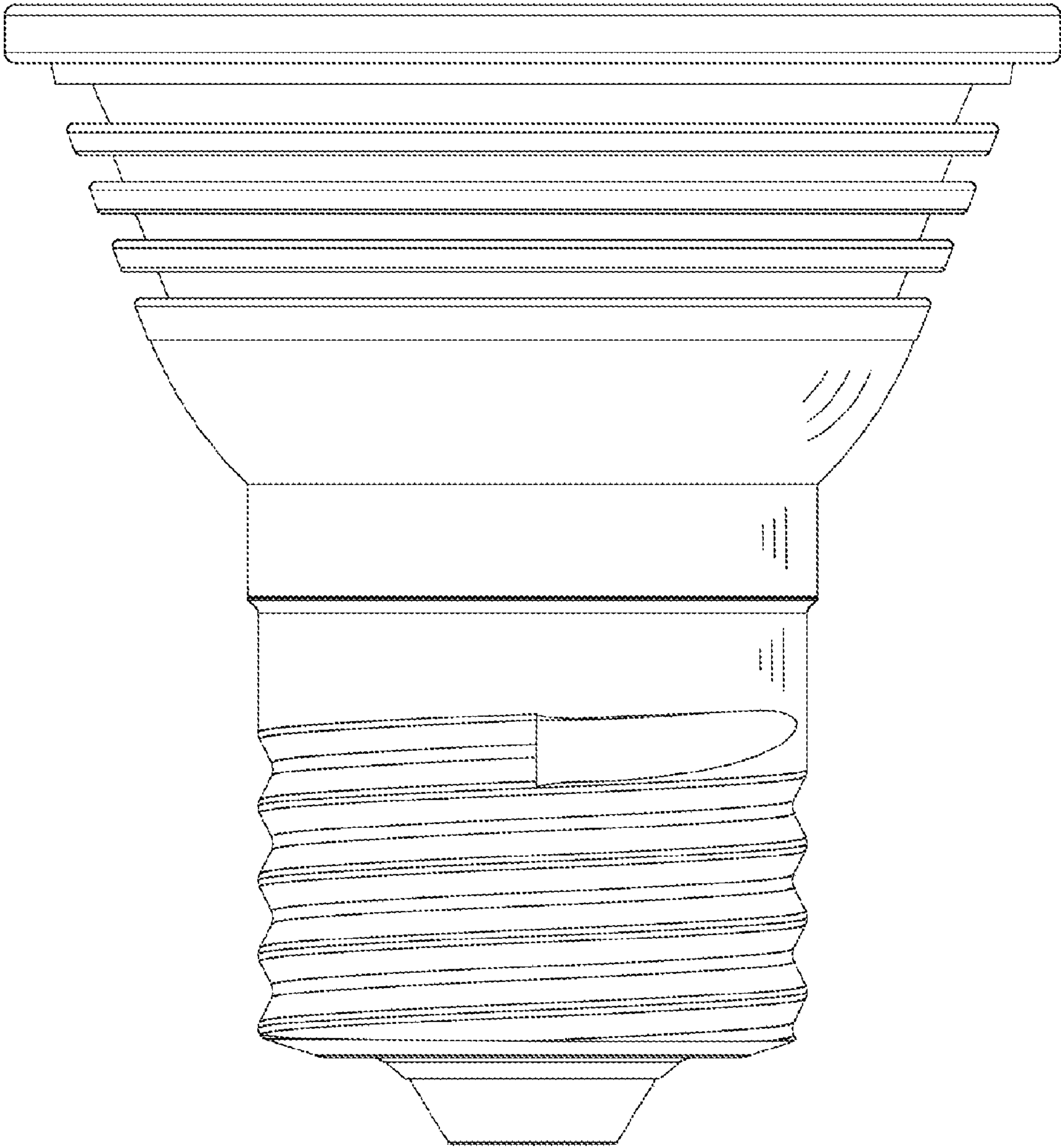


FIG. 2

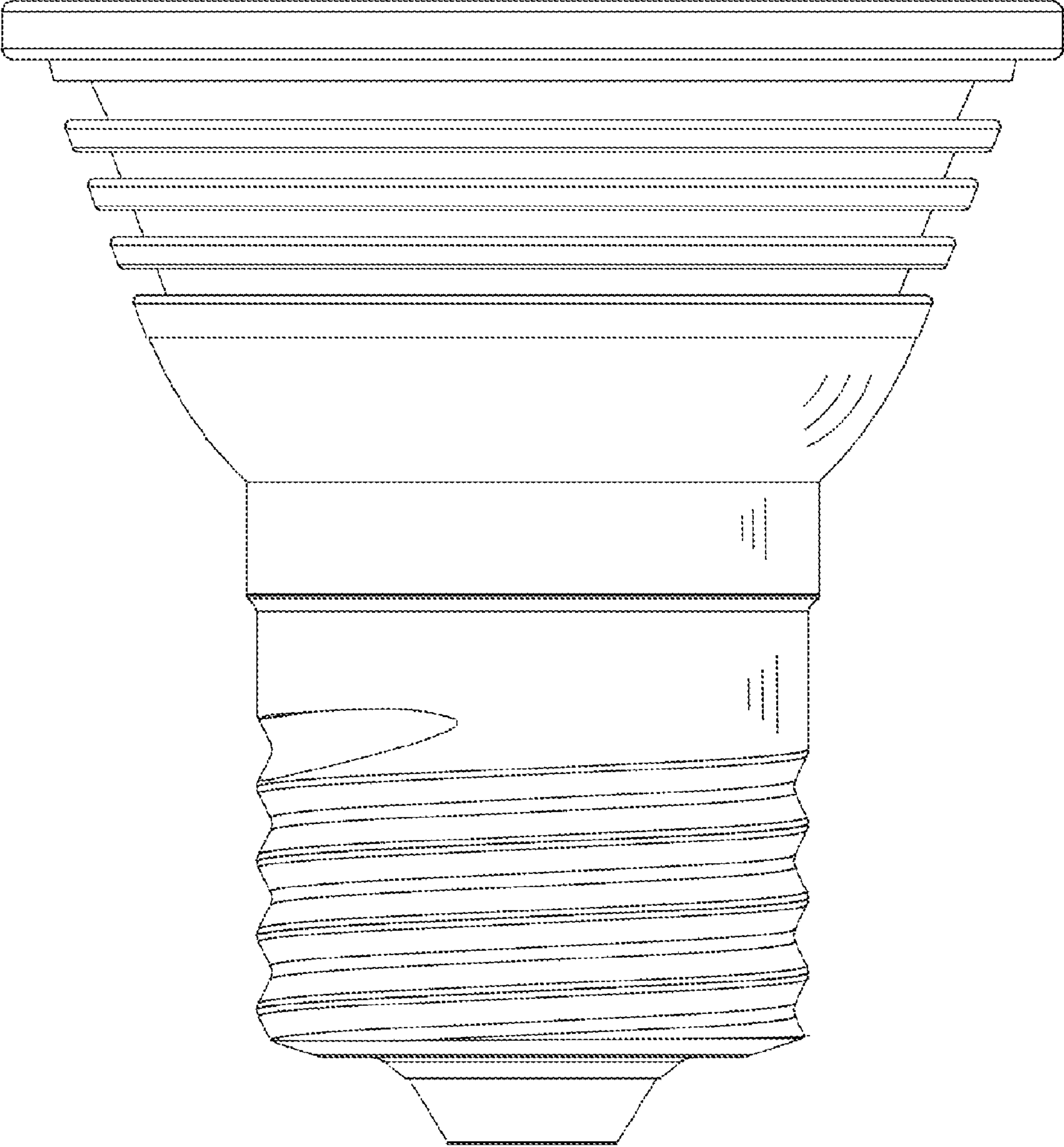


FIG. 3

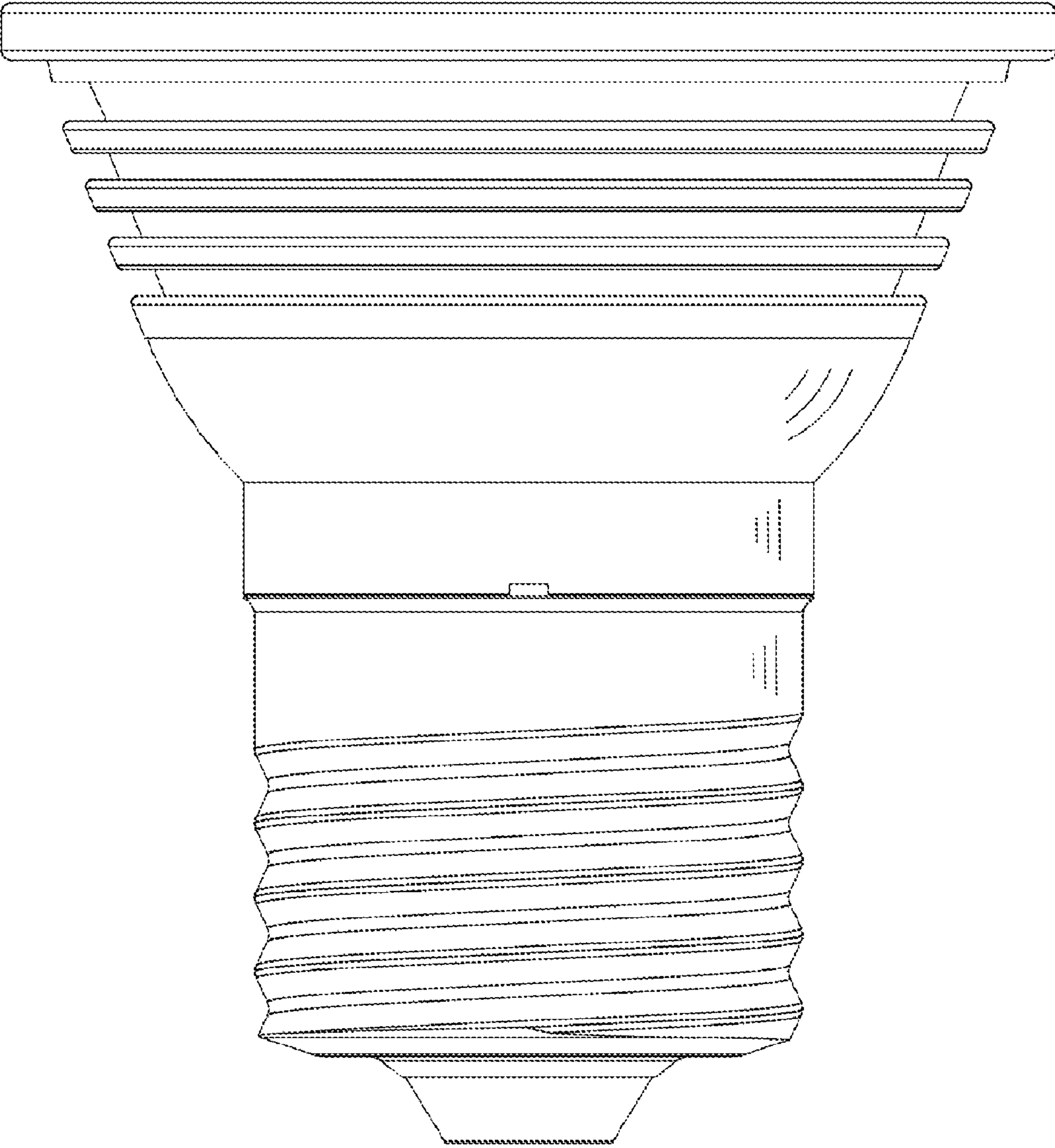


FIG. 4

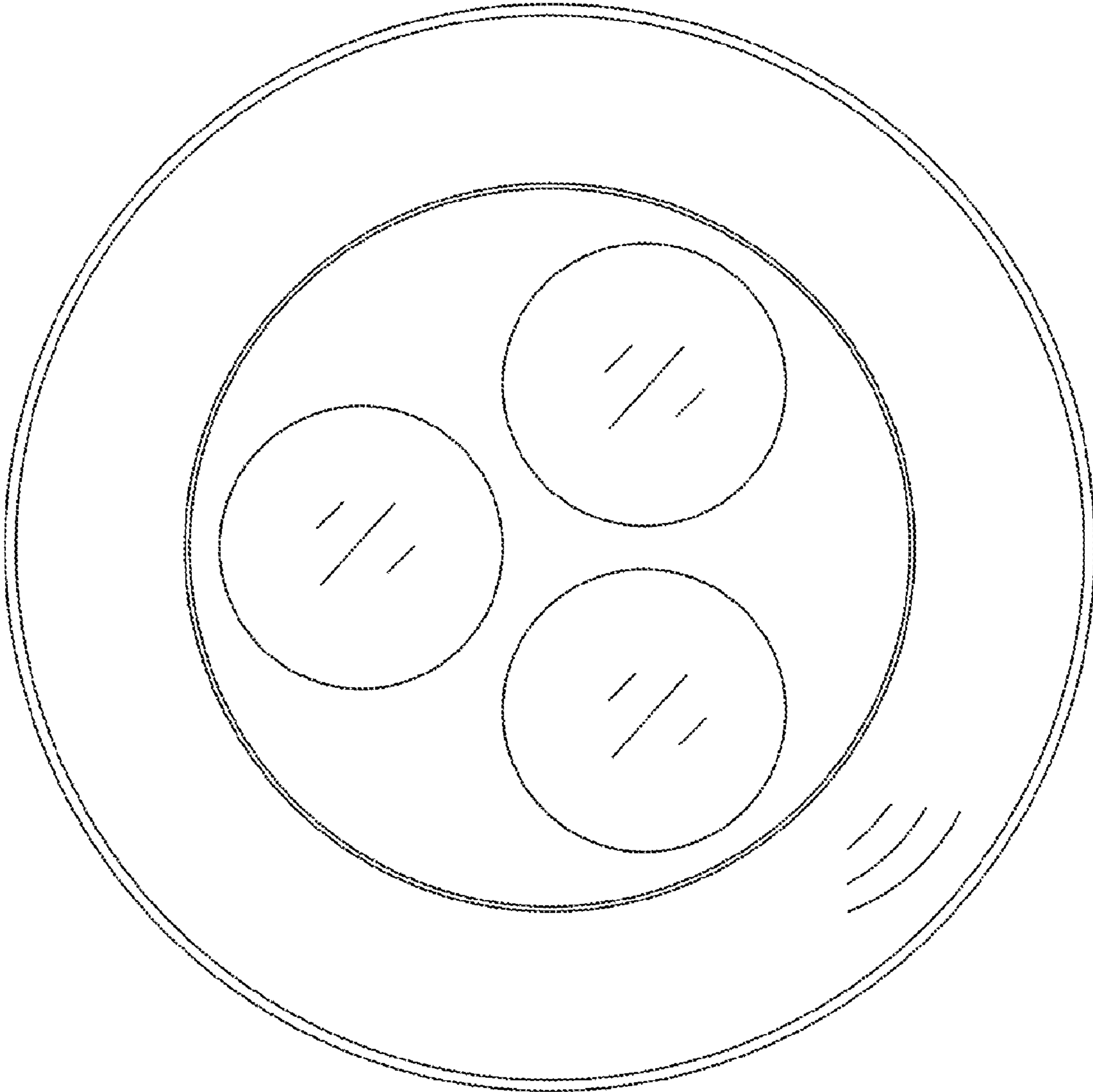


FIG. 5

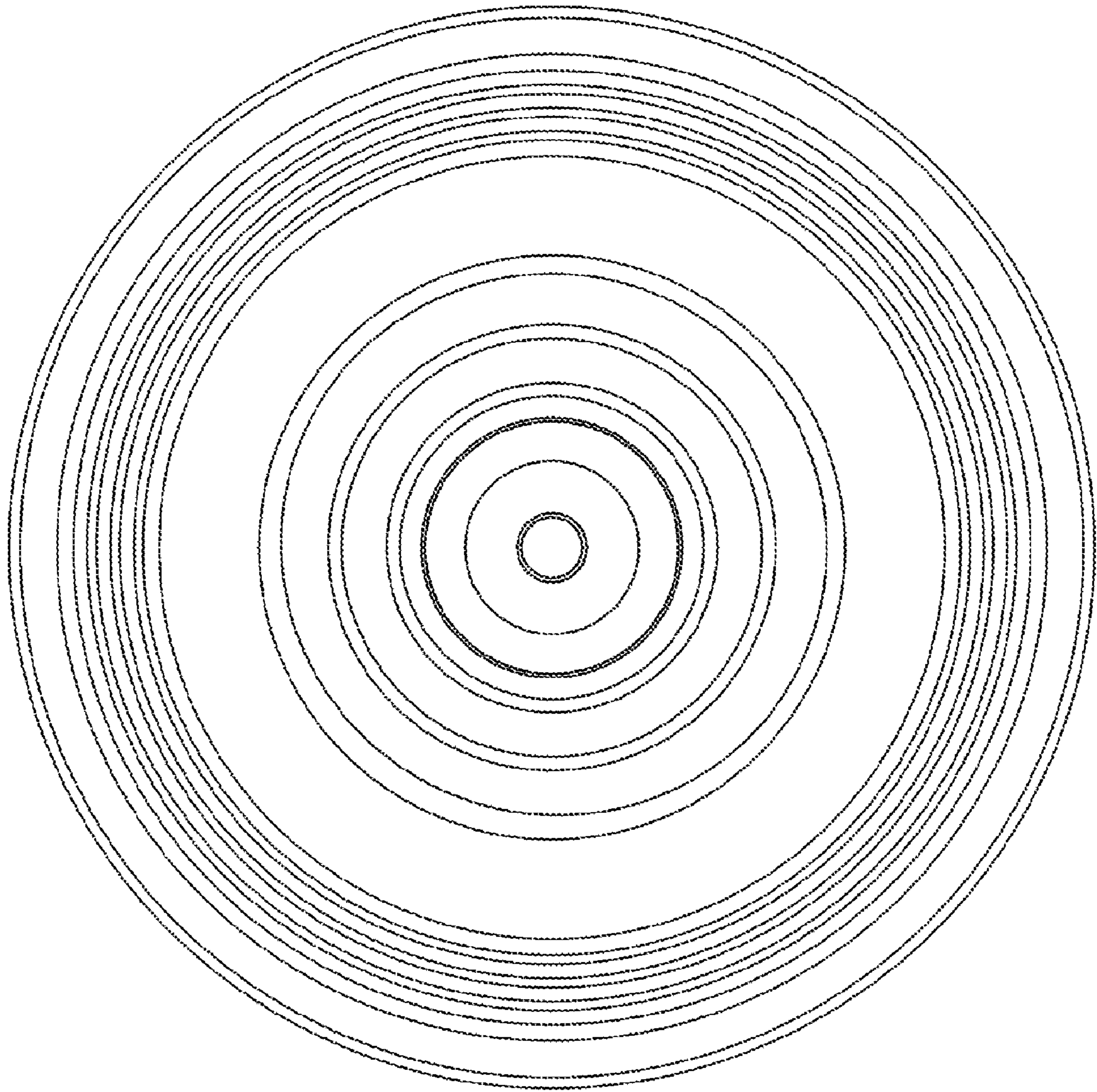


FIG. 6

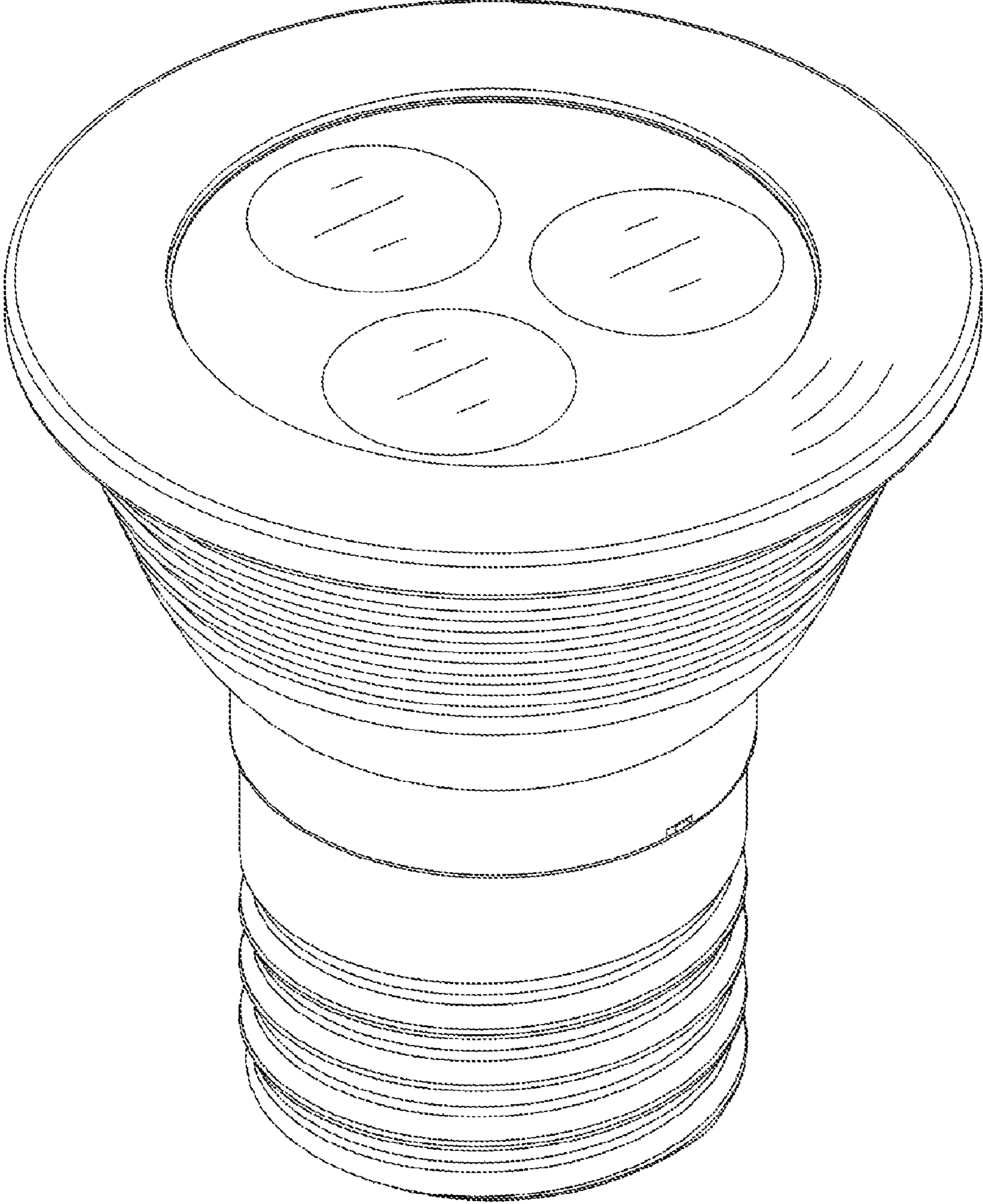


FIG. 7