



US00D594996S

(12) **United States Design Patent**
Yoon

(10) **Patent No.:** **US D594,996 S**
(45) **Date of Patent:** **** Jun. 23, 2009**

(54) **LED LAMP**

D561,917 S * 2/2008 Tsao D26/2
D566,300 S * 4/2008 Lo D26/2
D570,504 S * 6/2008 Maxik et al. D26/2

(75) Inventor: **In Yong Yoon**, Anyang-si (KR)

* cited by examiner

(73) Assignee: **Codea Co., Ltd.** (KR)

Primary Examiner—Marcus A. Jackson

(**) Term: **14 Years**

(74) *Attorney, Agent, or Firm*—Cantor Colburn LLP

(21) Appl. No.: **29/323,856**

(57) **CLAIM**

(22) Filed: **Sep. 2, 2008**

I claim, the ornamental design for a LED lamp, as shown and described.

(30) **Foreign Application Priority Data**

DESCRIPTION

Jun. 3, 2008 (KR) 30-2008-0023400

FIG. 1 is a perspective view of a LED lamp, showing my new design;

(51) **LOC (9) Cl.** **26-04**

FIG. 2 is a front elevational view thereof;

(52) **U.S. Cl.** **D26/2**

FIG. 3 is a rear elevational view thereof;

(58) **Field of Classification Search** D26/1-4;
313/313, 315, 317, 318, 493; 315/52, 53,
315/56, 57, 58

FIG. 4 is a left side elevational view thereof;

See application file for complete search history.

FIG. 5 is a right side elevational view thereof;

(56) **References Cited**

FIG. 6 is a top plan view thereof; and,

U.S. PATENT DOCUMENTS

FIG. 7 is a bottom plan view thereof.

D560,286 S * 1/2008 Maxik et al. D26/2

1 Claim, 7 Drawing Sheets

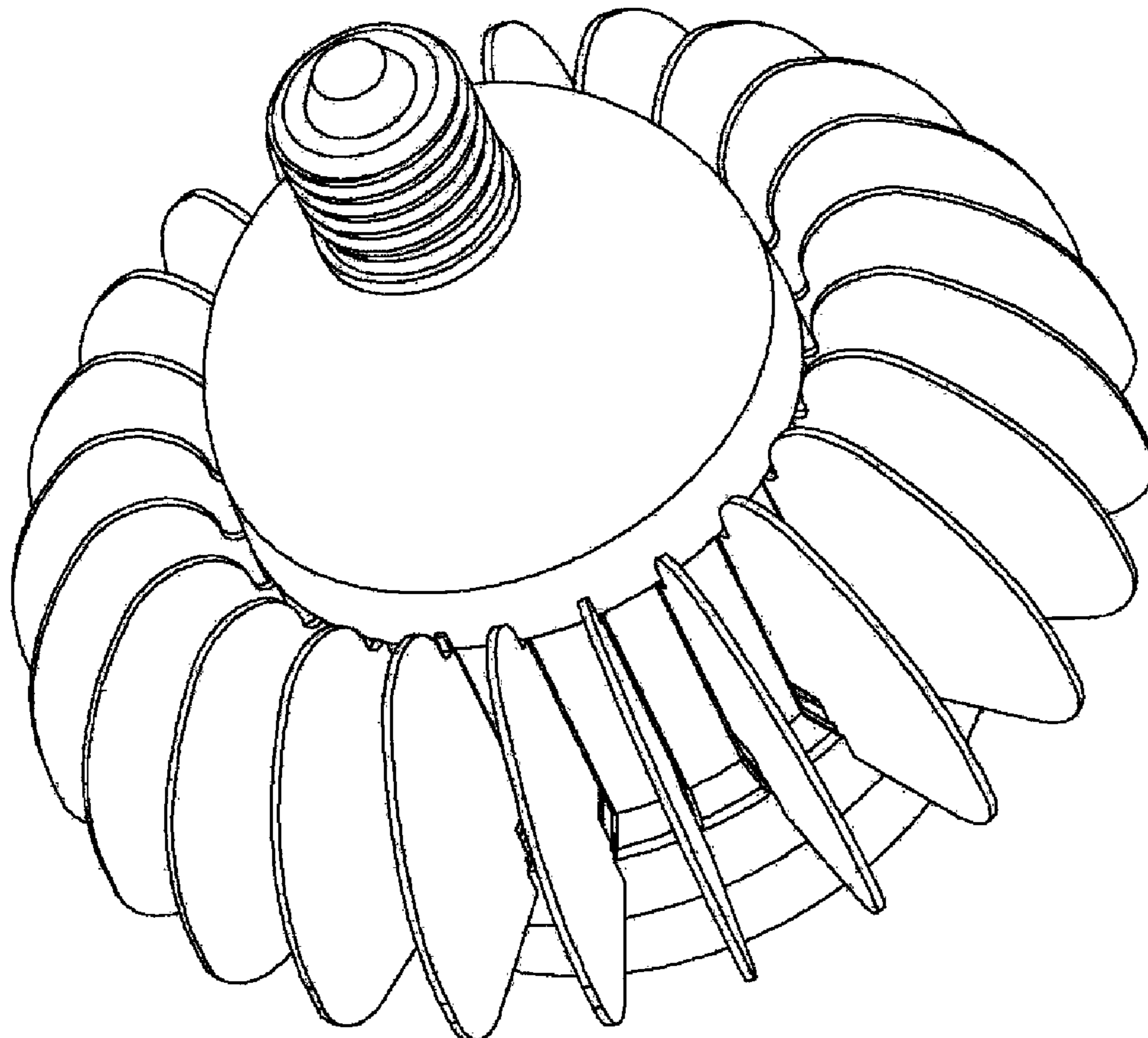


FIG. 1

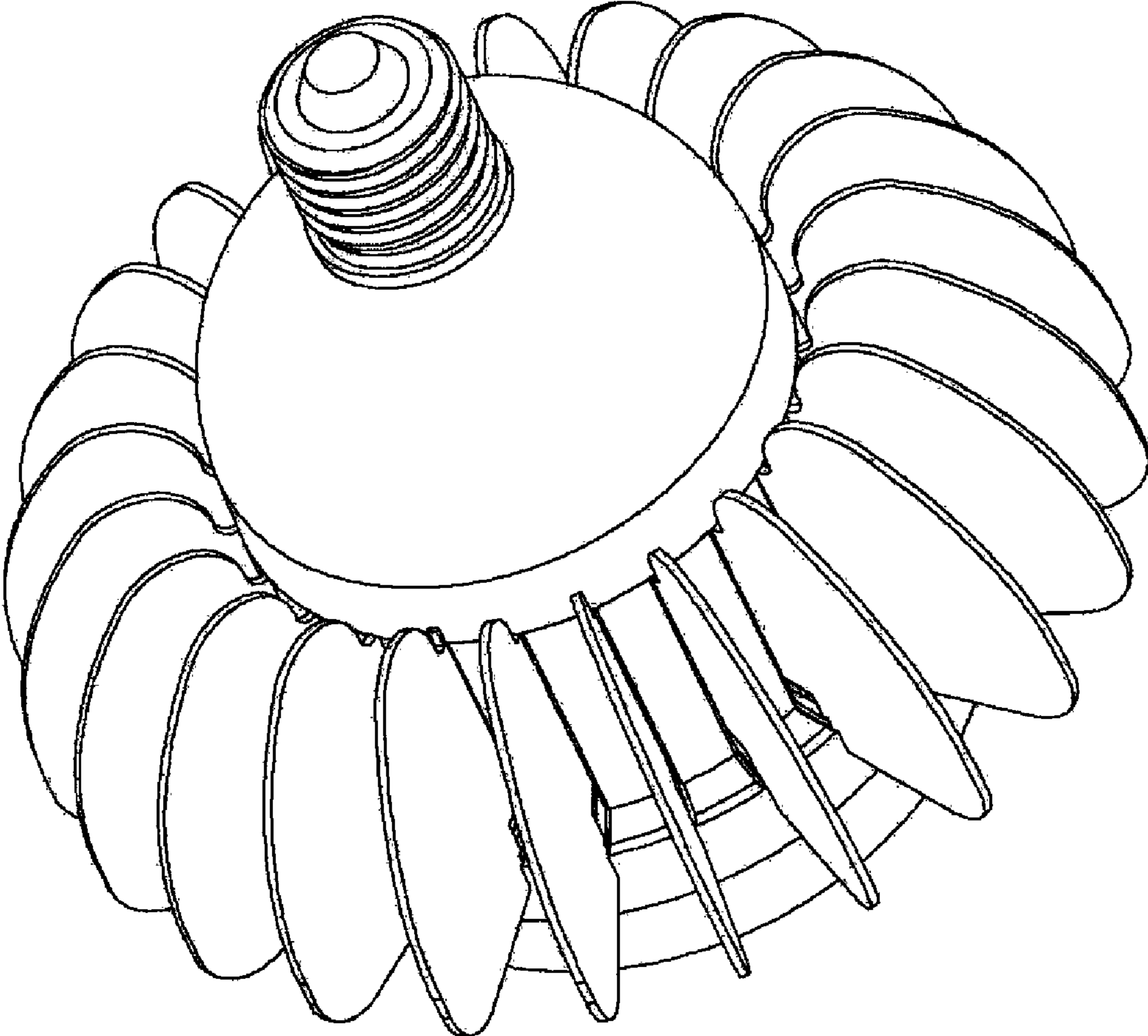


FIG. 2

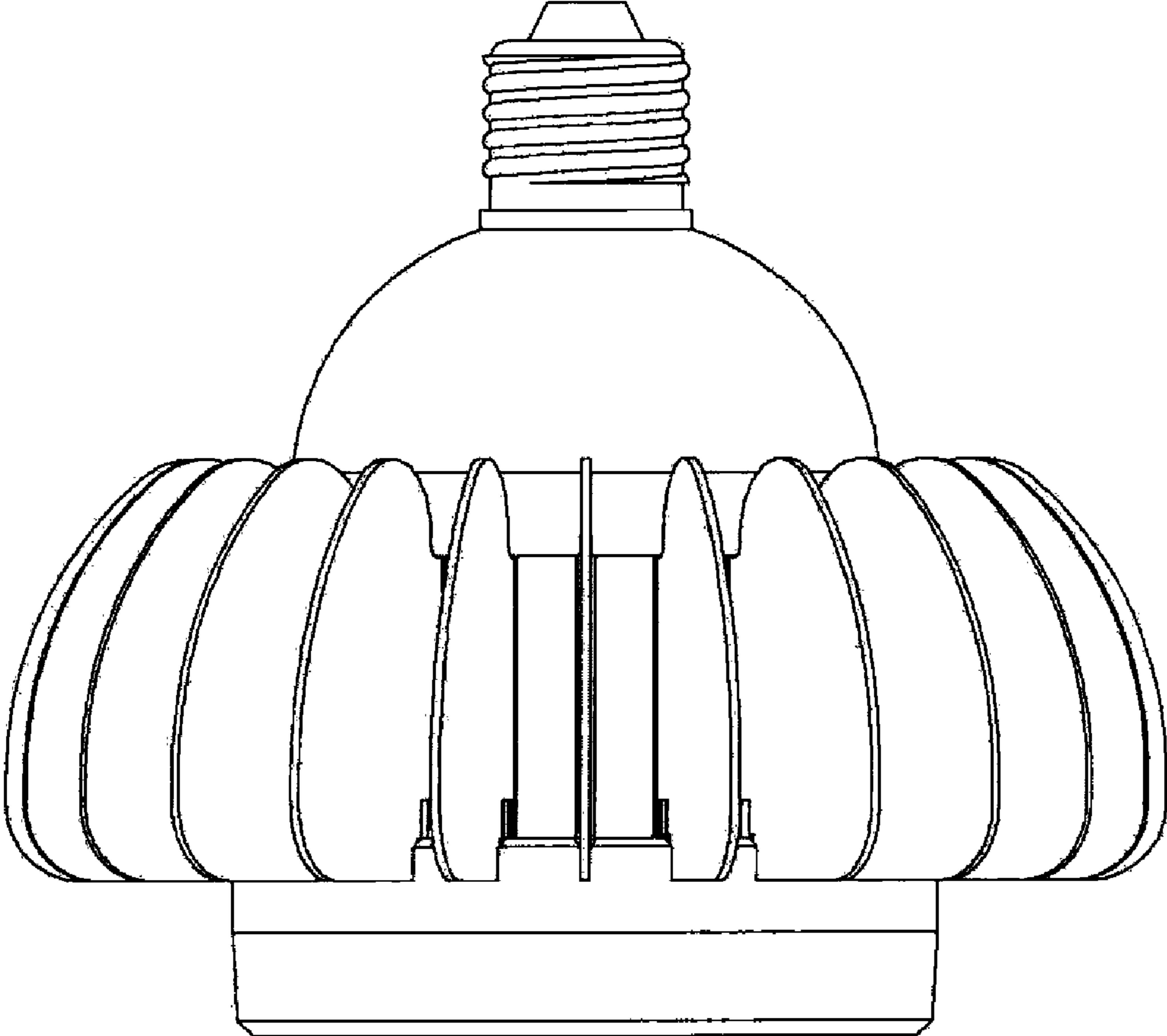


FIG. 3

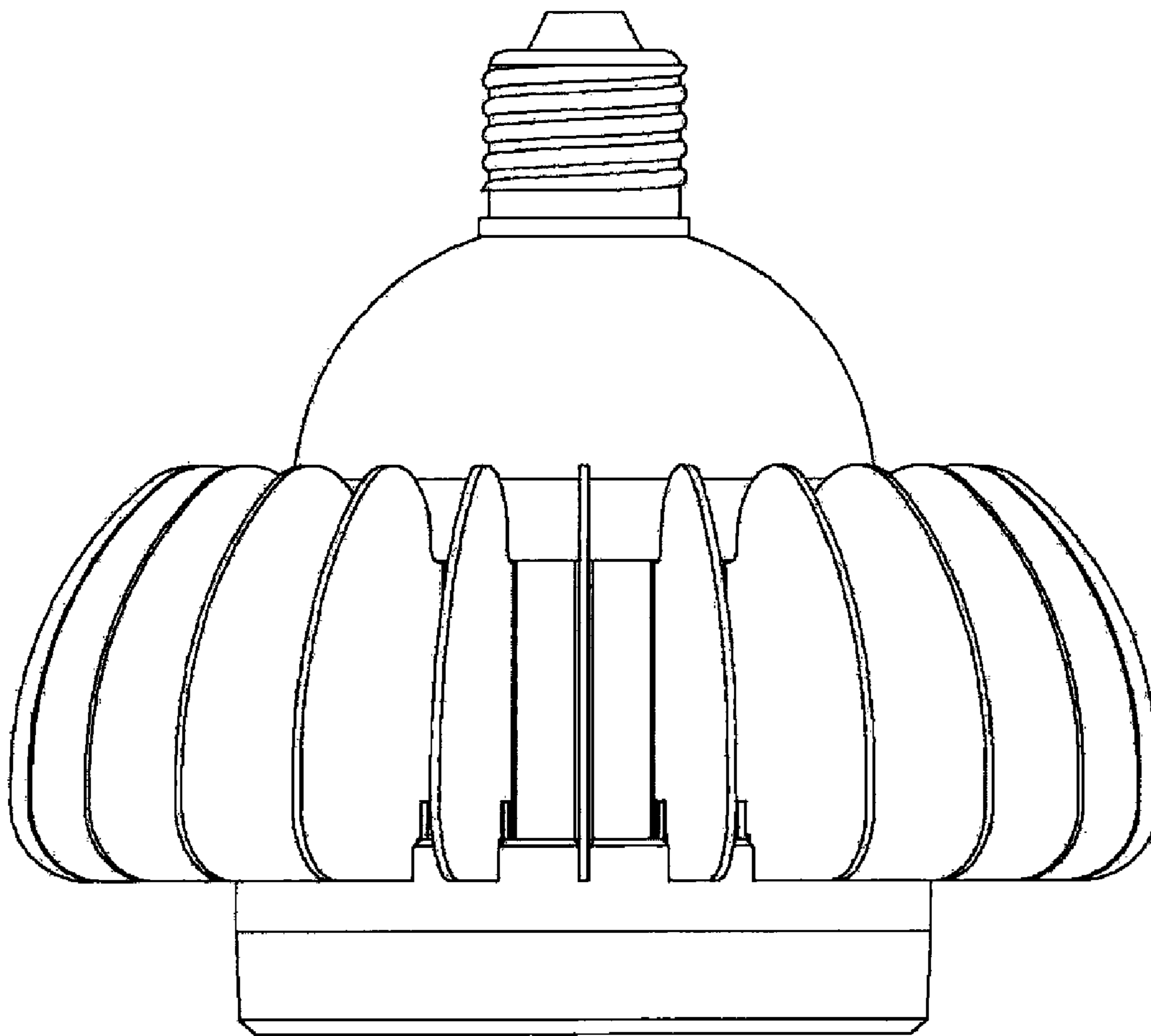


FIG. 4

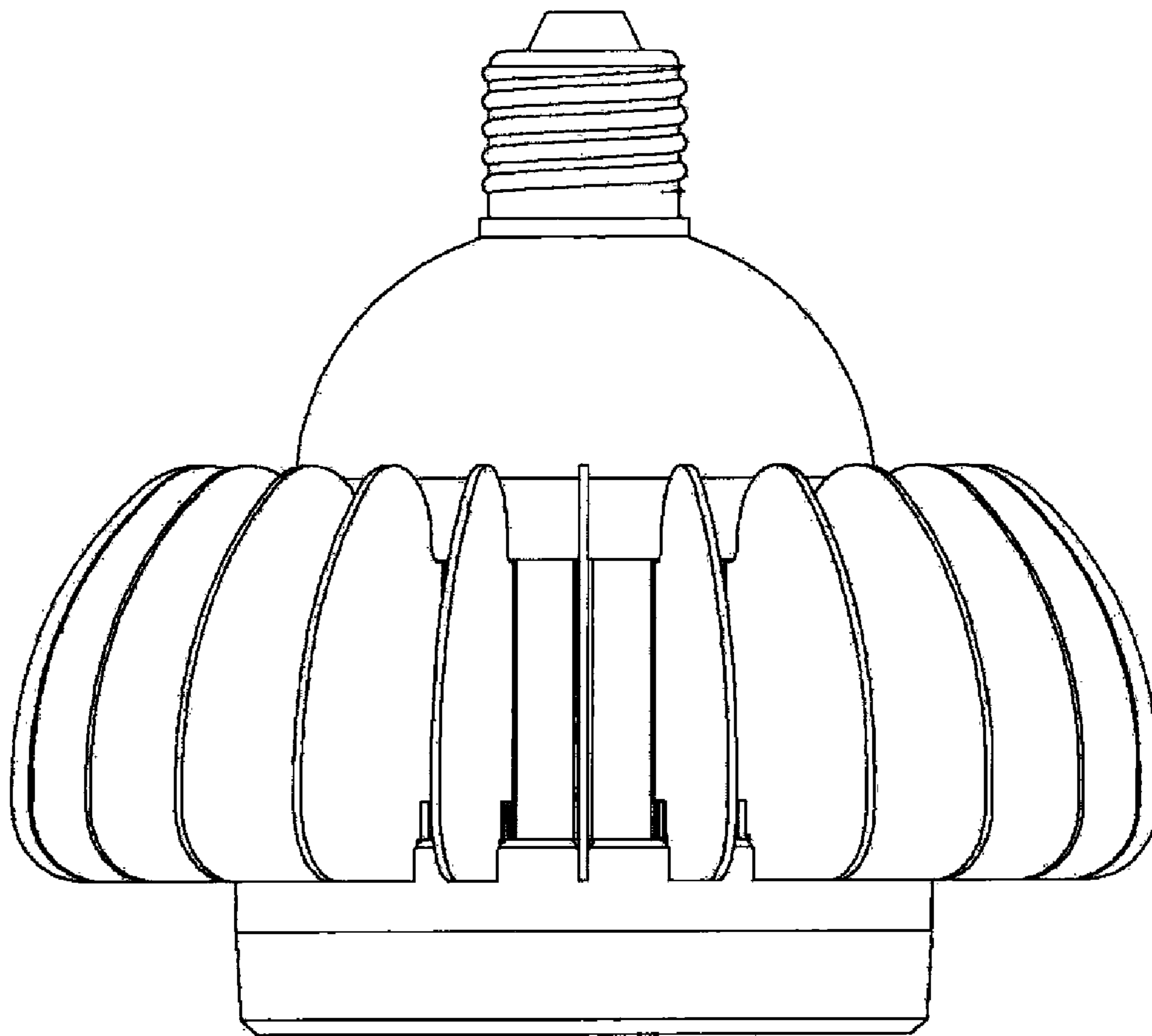


FIG. 5

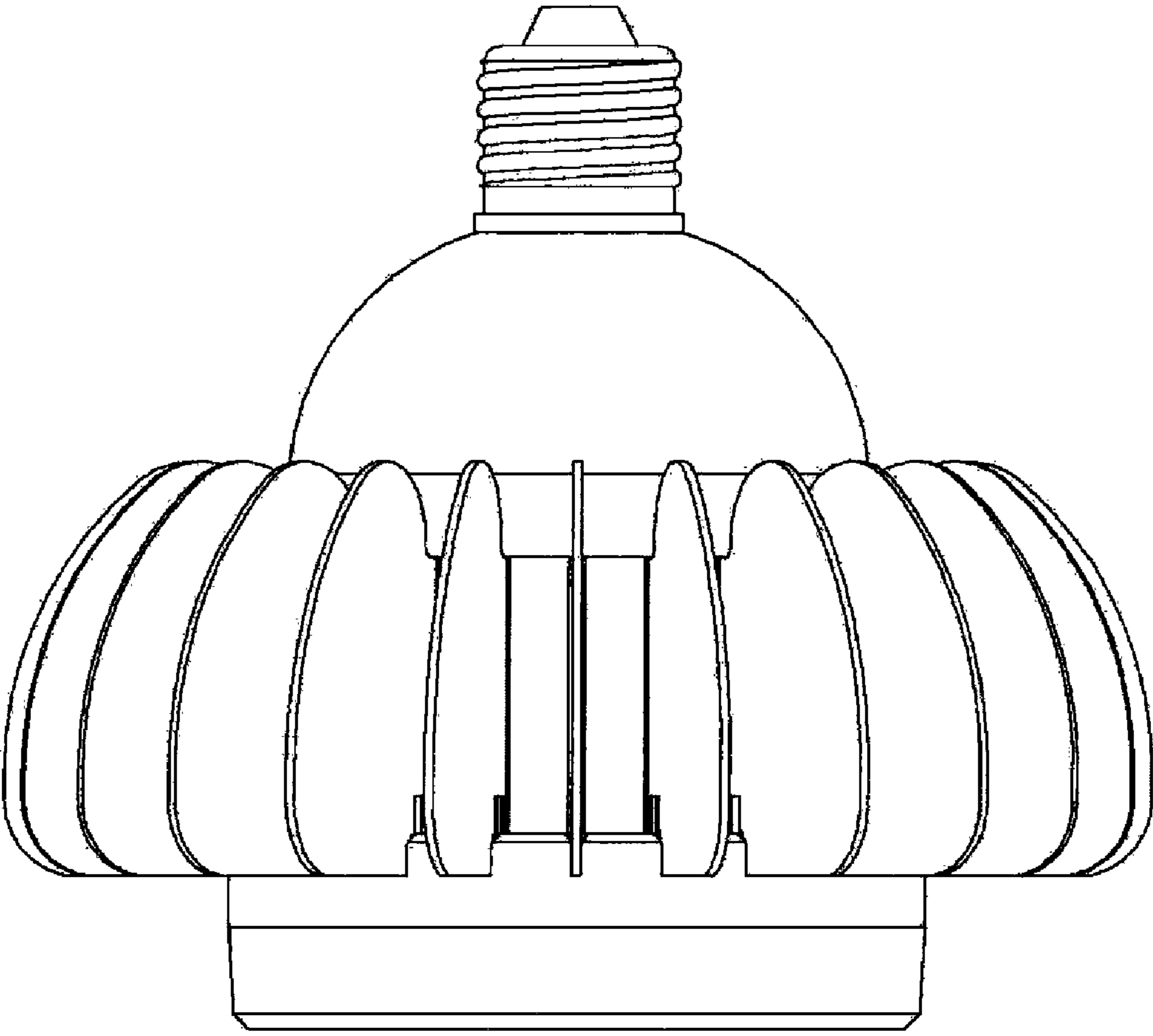


FIG. 6

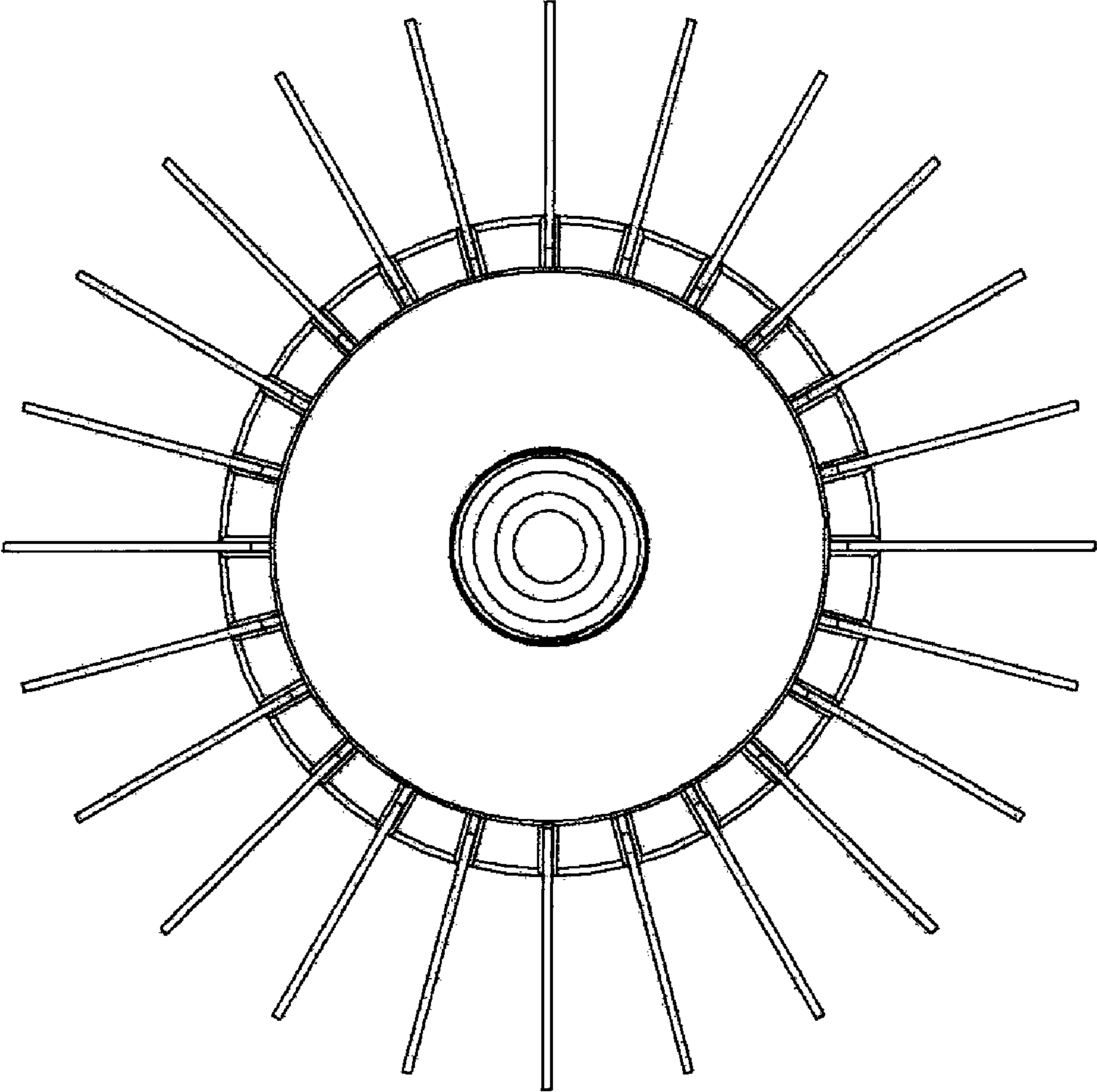
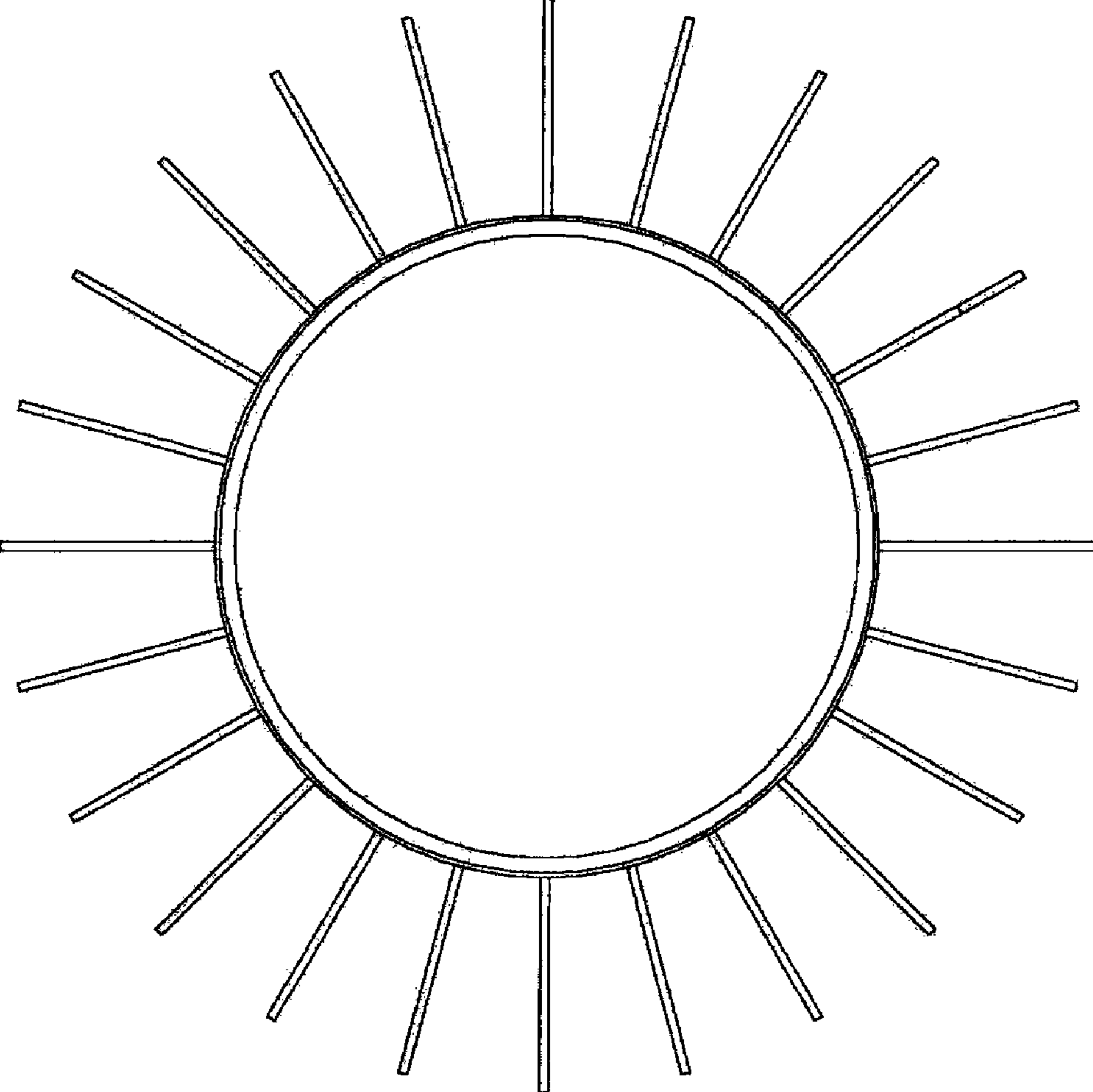


FIG. 7



UNITED STATES PATENT AND TRADEMARK OFFICE
CERTIFICATE OF CORRECTION

PATENT NO. : Des. 594,996 S
APPLICATION NO. : 29/323856
DATED : June 23, 2009
INVENTOR(S) : In Yong Yoon

Page 1 of 1

It is certified that error appears in the above-identified patent and that said Letters Patent is hereby corrected as shown below:

TITLE PAGE

Item (73) Assignee:

Delete "Codea Co., Ltd." and insert therefor --Codes Co., Ltd.--.

Signed and Sealed this

Twenty-fourth Day of November, 2009



David J. Kappos
Director of the United States Patent and Trademark Office