



US00D594995S

(12) **United States Design Patent**  
**Komar**

(10) **Patent No.:** **US D594,995 S**

(45) **Date of Patent:** **\*\* Jun. 23, 2009**

(54) **LED-LAMP**

(75) Inventor: **Jürgen Komar**, Hagenrain (DE)

(73) Assignee: **OSRAM Gesellschaft mit  
beschränkter Haftung**, Munich (DE)

(\*\*) Term: **14 Years**

(21) Appl. No.: **29/310,879**

(22) Filed: **Sep. 16, 2008**

(30) **Foreign Application Priority Data**

Apr. 3, 2008 (EM) ..... 000919097

(51) **LOC (9) Cl.** ..... **26-04**

(52) **U.S. Cl.** ..... **D26/2**

(58) **Field of Classification Search** ..... D26/1-4;  
313/313, 315, 317, 318, 493; 315/52, 53,  
315/56, 57, 58

See application file for complete search history.

(56) **References Cited**

**U.S. PATENT DOCUMENTS**

D542,943 S \* 5/2007 Wang ..... D26/2  
D546,980 S \* 7/2007 Lo ..... D26/2  
D549,854 S \* 8/2007 Takahashi ..... D26/2  
D566,300 S \* 4/2008 Lo ..... D26/2  
D582,578 S \* 12/2008 Tsai et al.

\* cited by examiner

*Primary Examiner*—Marcus A. Jackson

(74) *Attorney, Agent, or Firm*—Frishauf, Holtz, Goodman & Chick, P.C.

(57) **CLAIM**

The ornamental design for an LED-lamp, as shown and described.

**DESCRIPTION**

FIG. 1 is a front side perspective view of the LED lamp with E27 base

FIG. 2 is a side view of the LED lamp with E27 base

FIG. 3 is a side view of the LED lamp with E27 base turned through 90°

FIG. 4 is a front view of the LED lamp with E27 base

FIG. 5 is a back view of the LED lamp with E27 base

FIG. 6 is a front side perspective view of the LED lamp with GU10 base

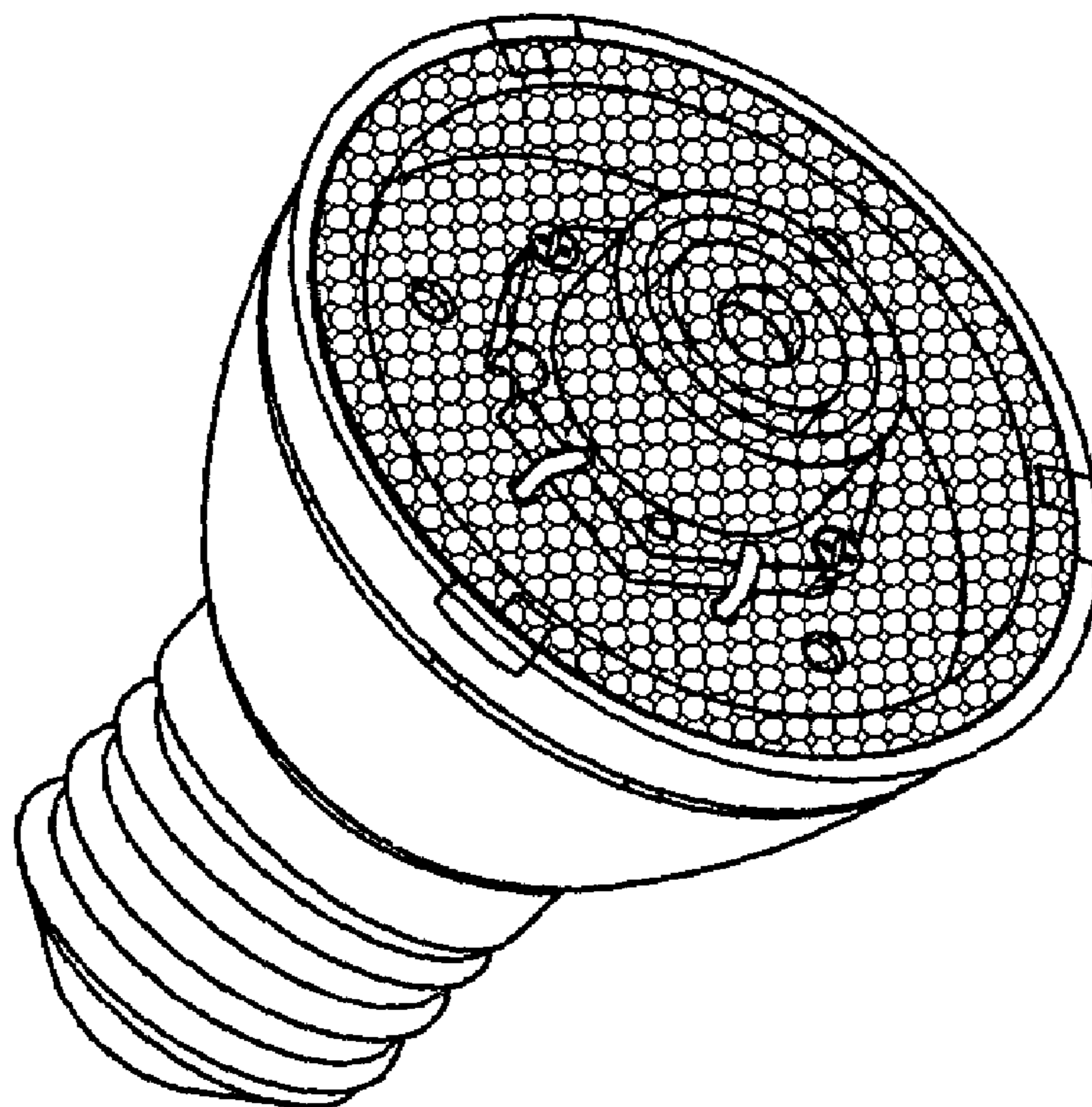
FIG. 7 is a side view of the LED lamp with GU10 base

FIG. 8 is a side view of the LED lamp with GU10 base turned through 90°

FIG. 9 is a front view of the LED lamp with GU10 base; and,

FIG. 10 is a back view of the LED lamp with GU10 base.

**1 Claim, 4 Drawing Sheets**



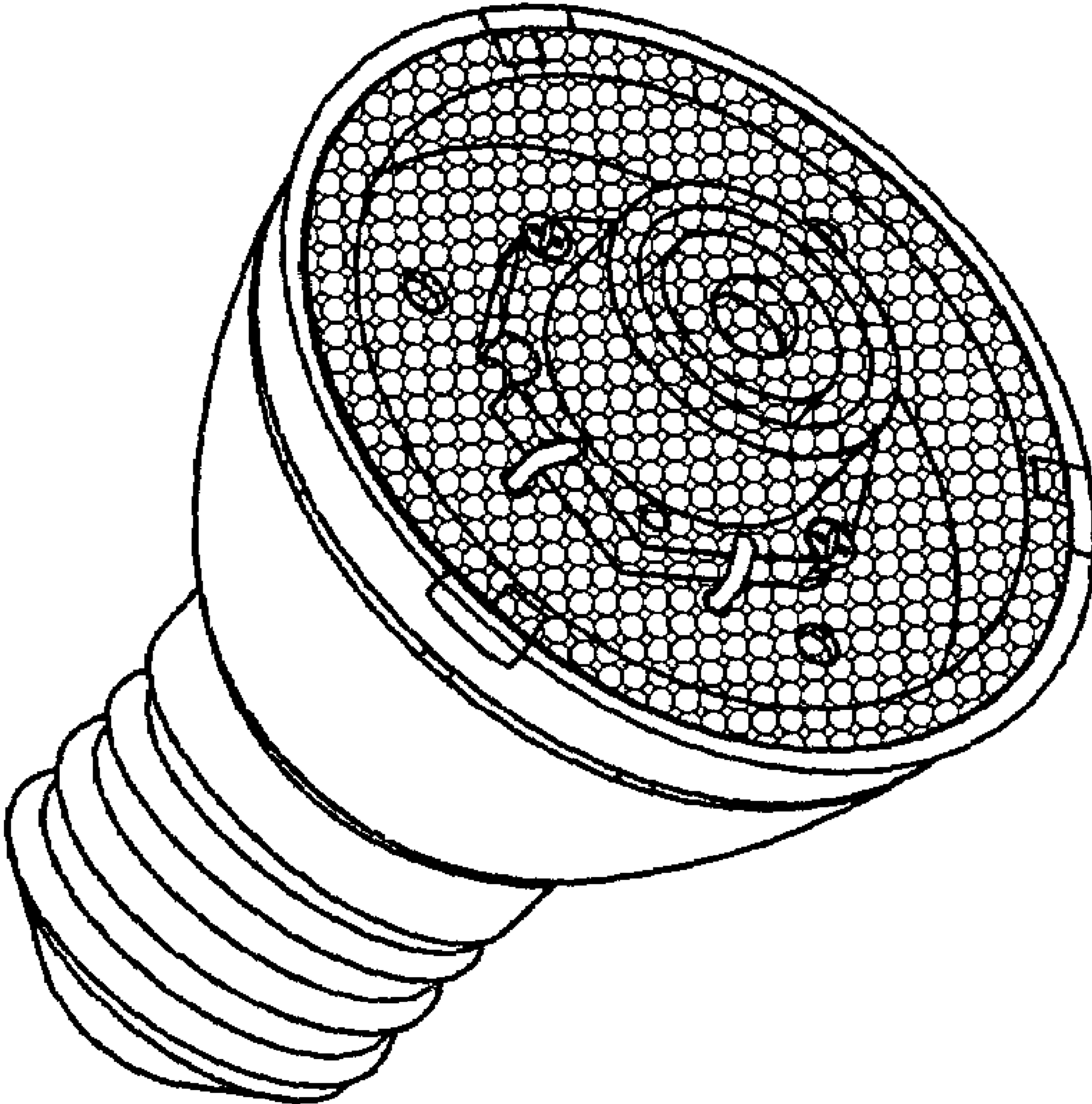


FIG. 1

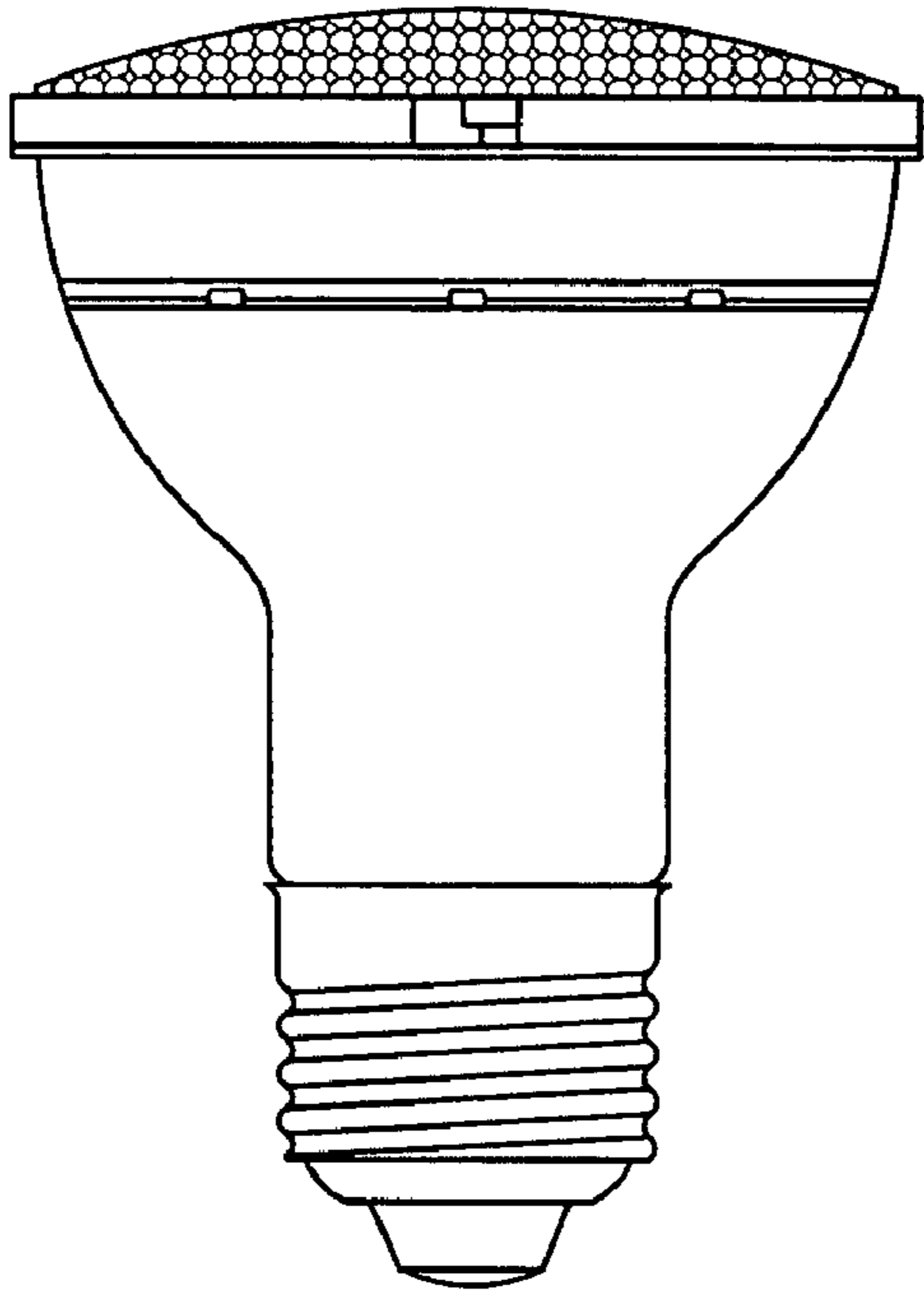


FIG. 2

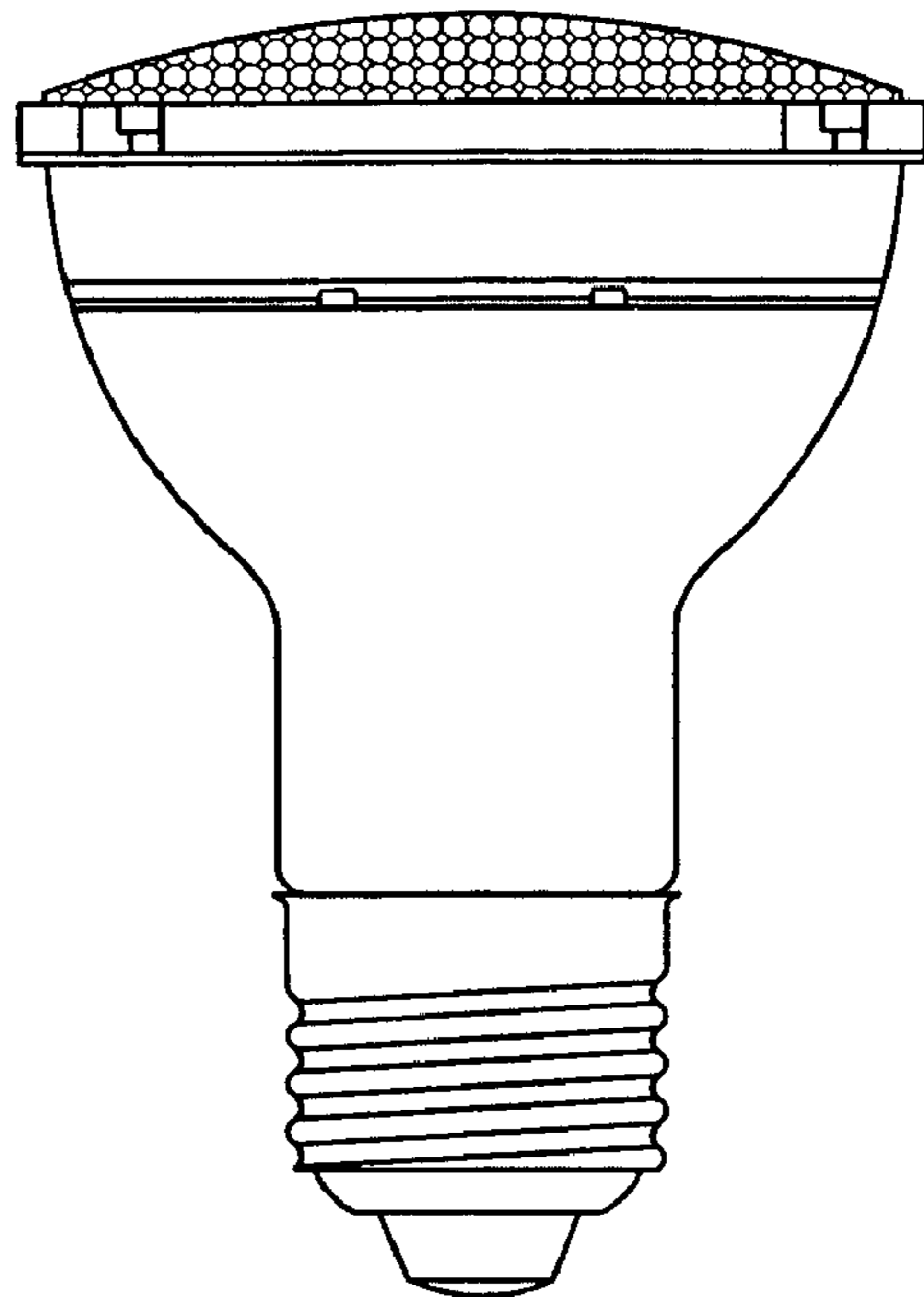


FIG. 3

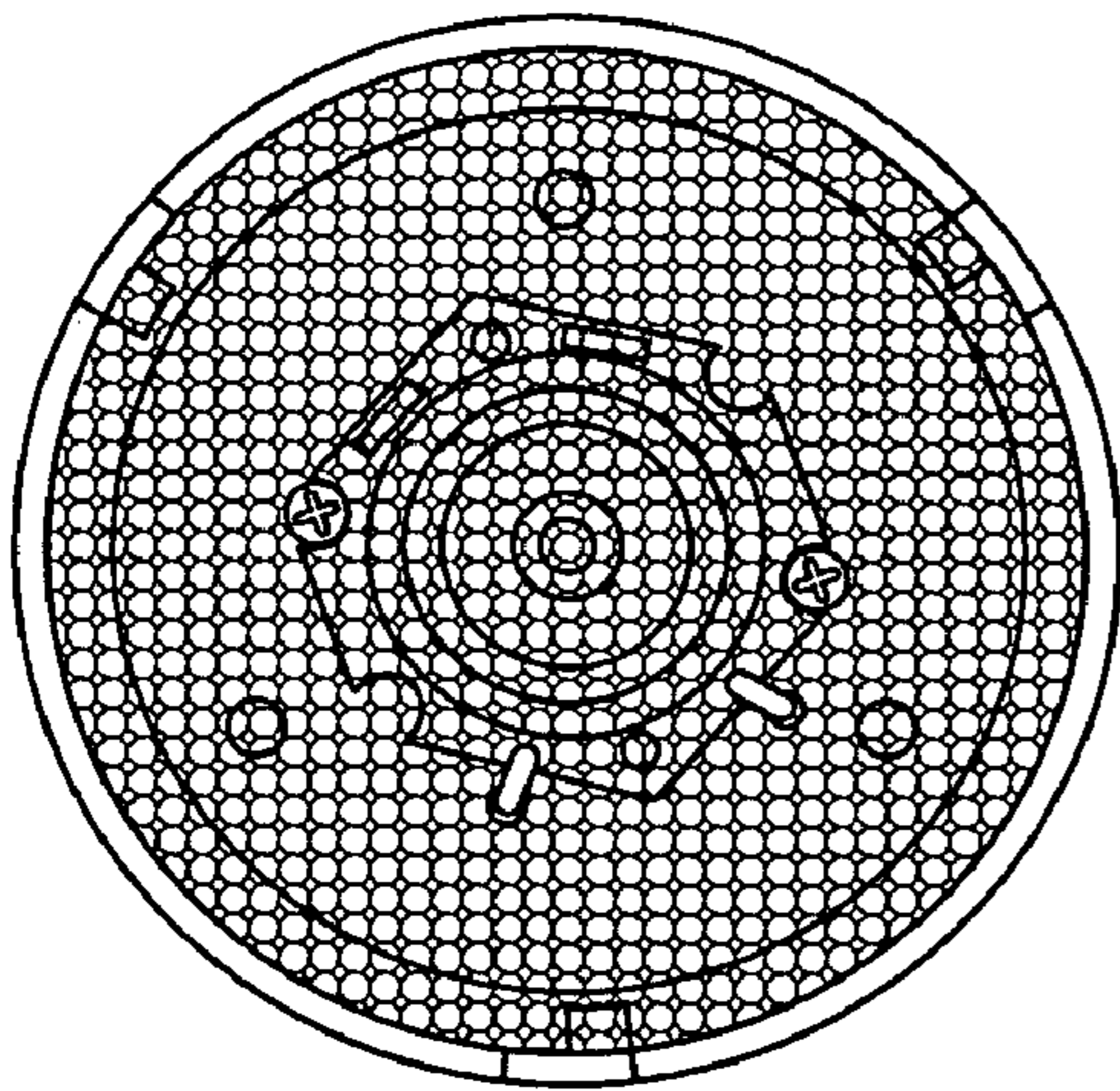


FIG. 4

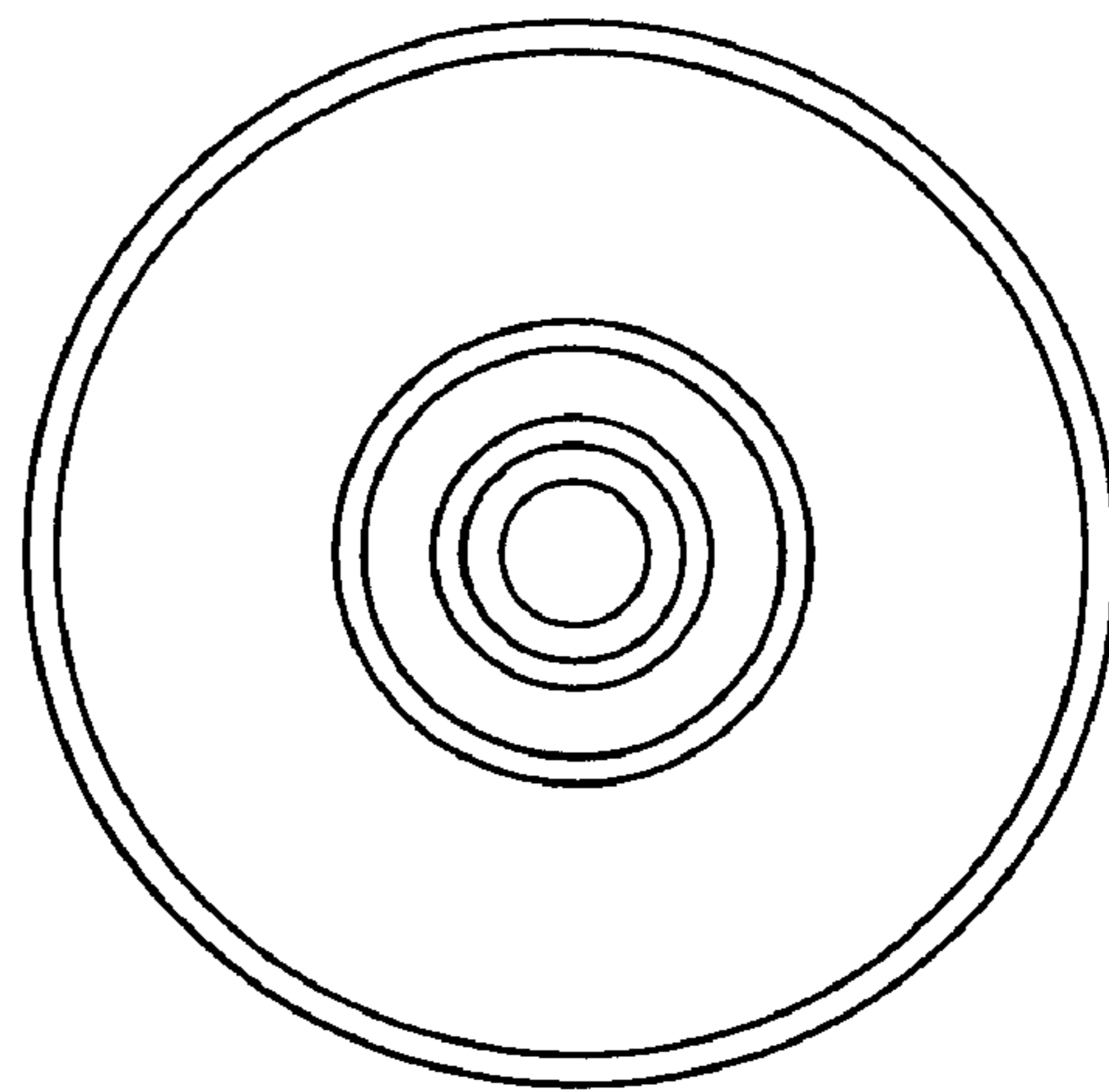


FIG. 5



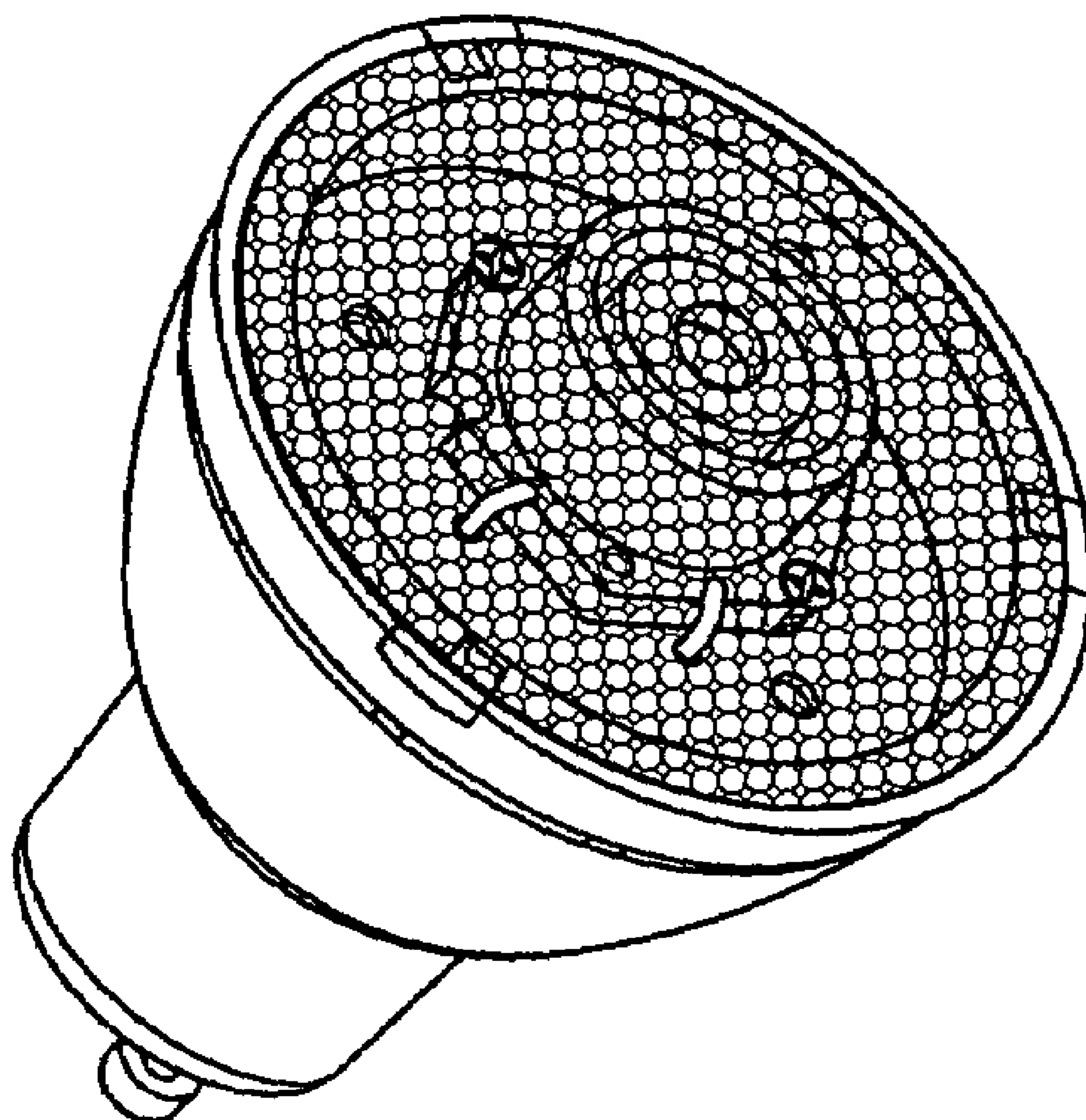


FIG. 6

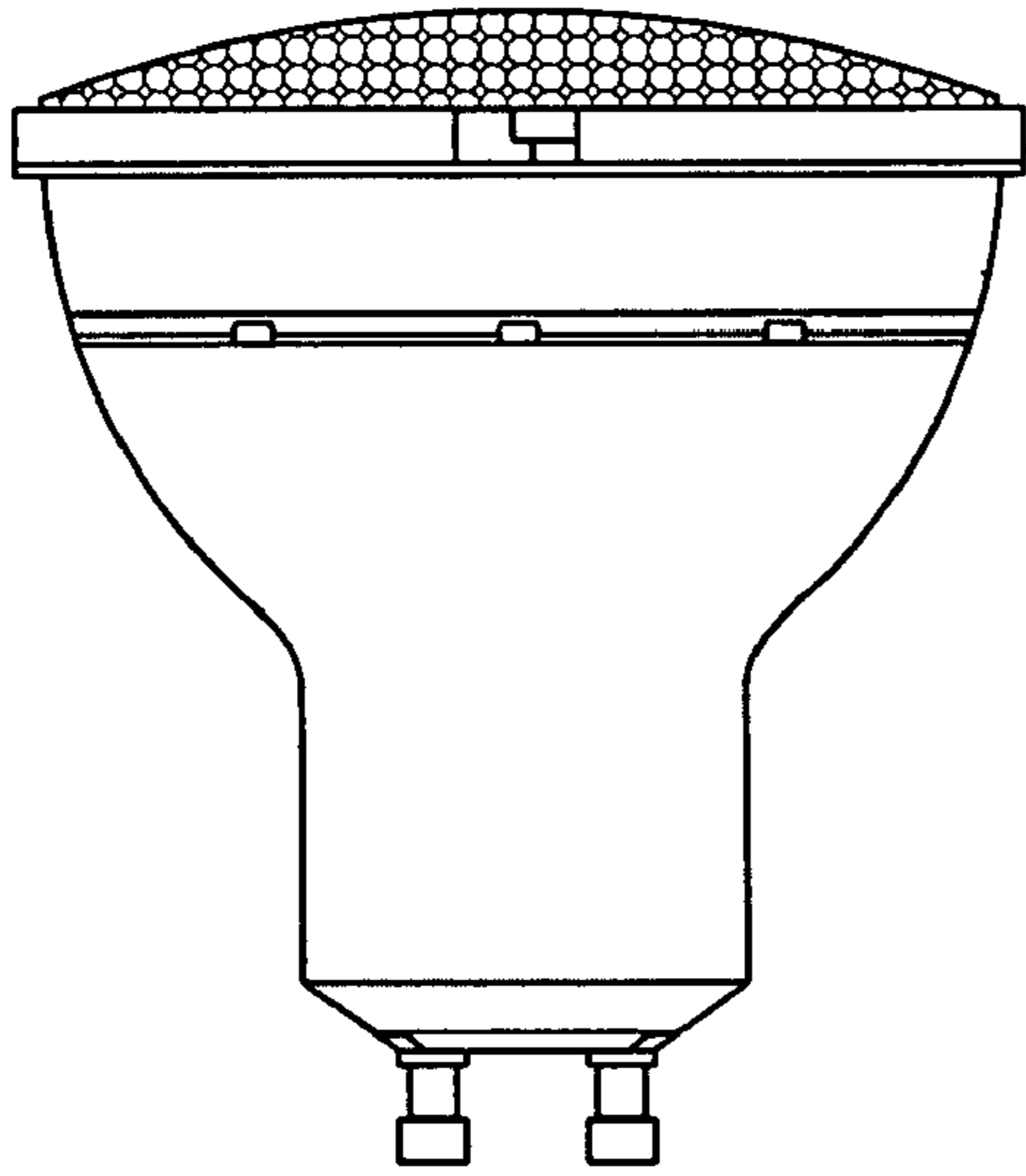


FIG. 7

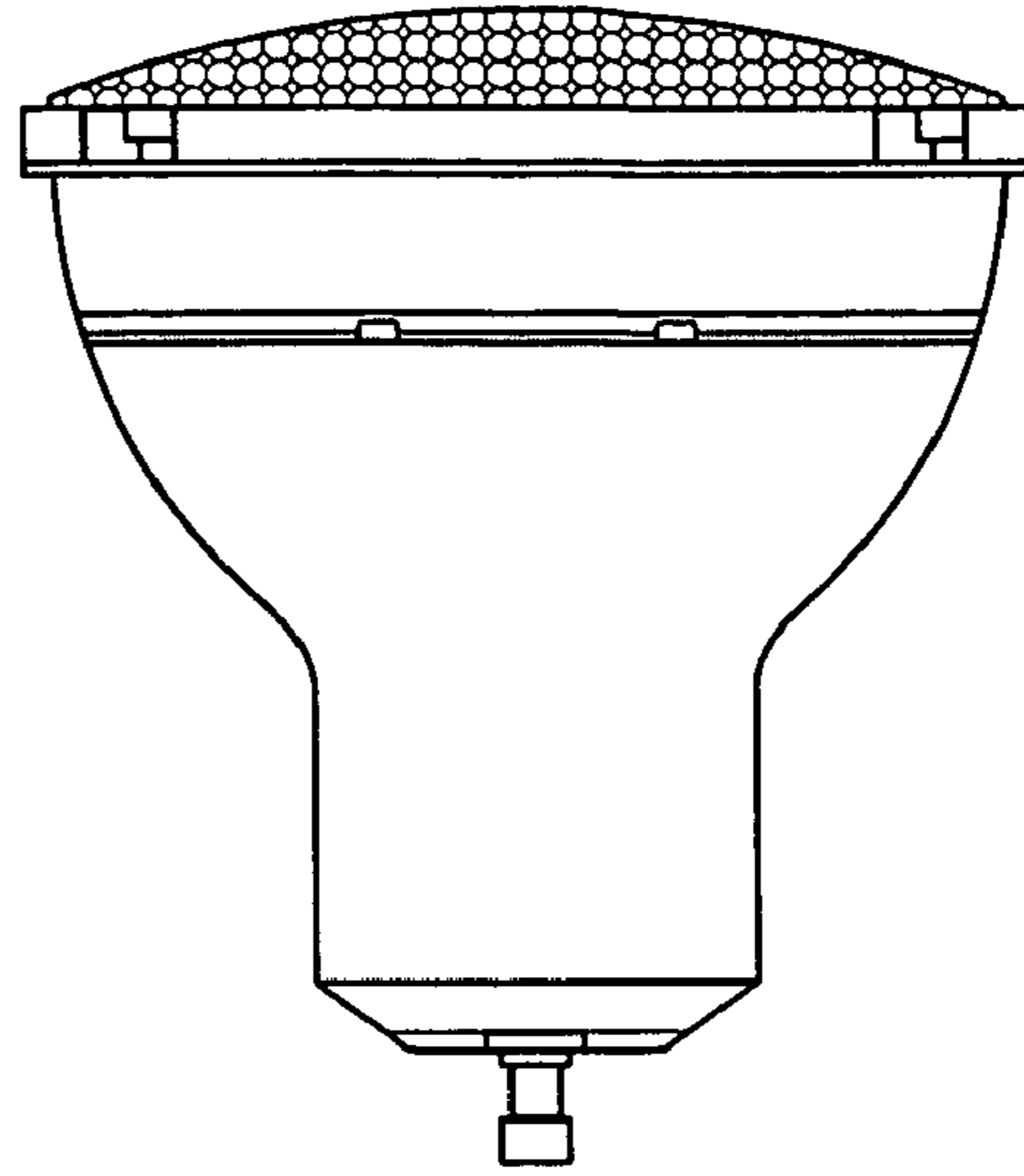


FIG. 8

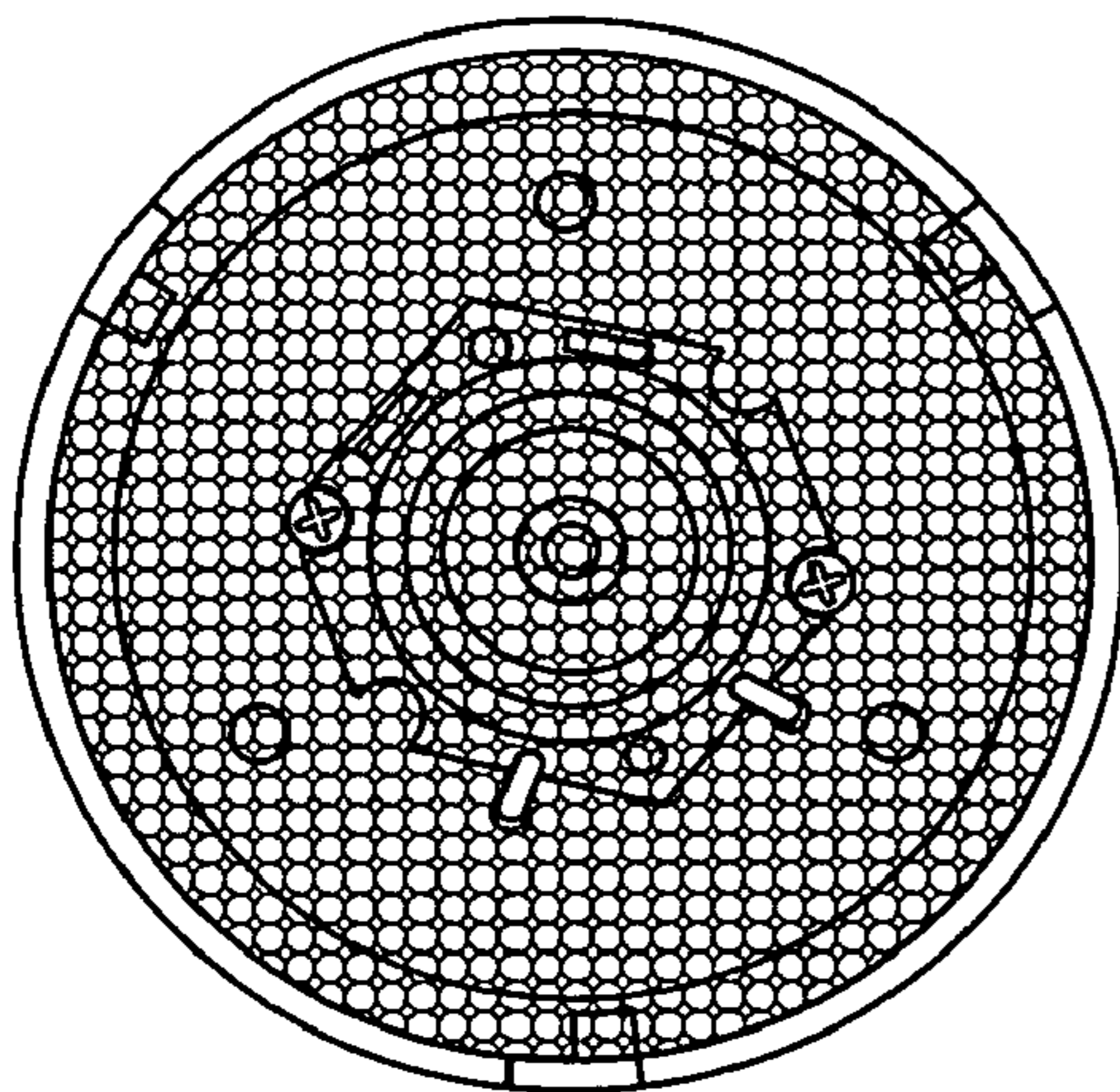


FIG. 9

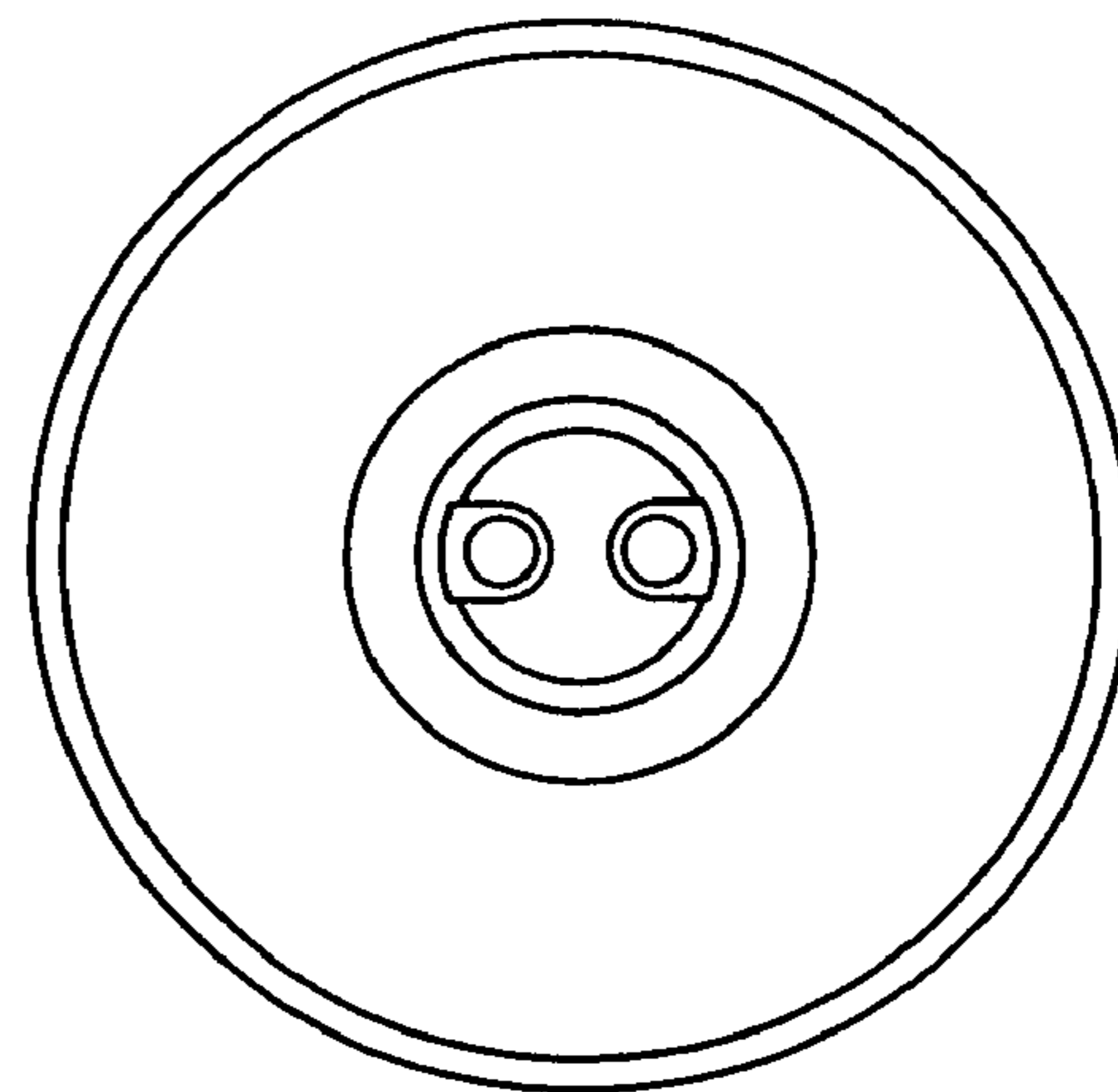


FIG. 10