

US00D594993S

(12) **United States Design Patent**
Becht, IV et al.

(10) **Patent No.:** **US D594,993 S**

(45) **Date of Patent:** **** Jun. 23, 2009**

(54) **DECK SLAT**

(75) Inventors: **Charles Becht, IV**, Morristown, NJ (US); **Chawki A. Benteftifa**, Carlstadt, NJ (US)

(73) Assignee: **Helidex LLC**, East Rutherford, NJ (US)

(**) Term: **14 Years**

(21) Appl. No.: **29/308,610**

(22) Filed: **Jun. 26, 2008**

(51) **LOC (9) Cl.** **25-01**

(52) **U.S. Cl.** **D25/125**

(58) **Field of Classification Search** D25/125;
52/592.1, 650.3, 745.05, 775, 177, 87, 450,
52/798.1; D30/120; 119/509, 525, 526,
119/527, 530; 14/73; 405/4, 196, 218, 219
See application file for complete search history.

(56) **References Cited**

U.S. PATENT DOCUMENTS

4,135,339 A * 1/1979 Pawlitschek 52/660

4,235,197 A * 11/1980 Curtis et al. 119/530

D492,797 S * 7/2004 Simko et al. D25/125

* cited by examiner

Primary Examiner—Doris Clark

(74) *Attorney, Agent, or Firm*—Anthony J. Casella; Gerald E. Hespos

(57) **CLAIM**

The ornamental design for a deck slat, as shown and described.

DESCRIPTION

FIG. 1 is a perspective view of a deck slat showing our new design;

FIG. 2 is a top plan view thereof;

FIG. 3 is a front elevational view thereof;

FIG. 4 is a bottom plan view thereof;

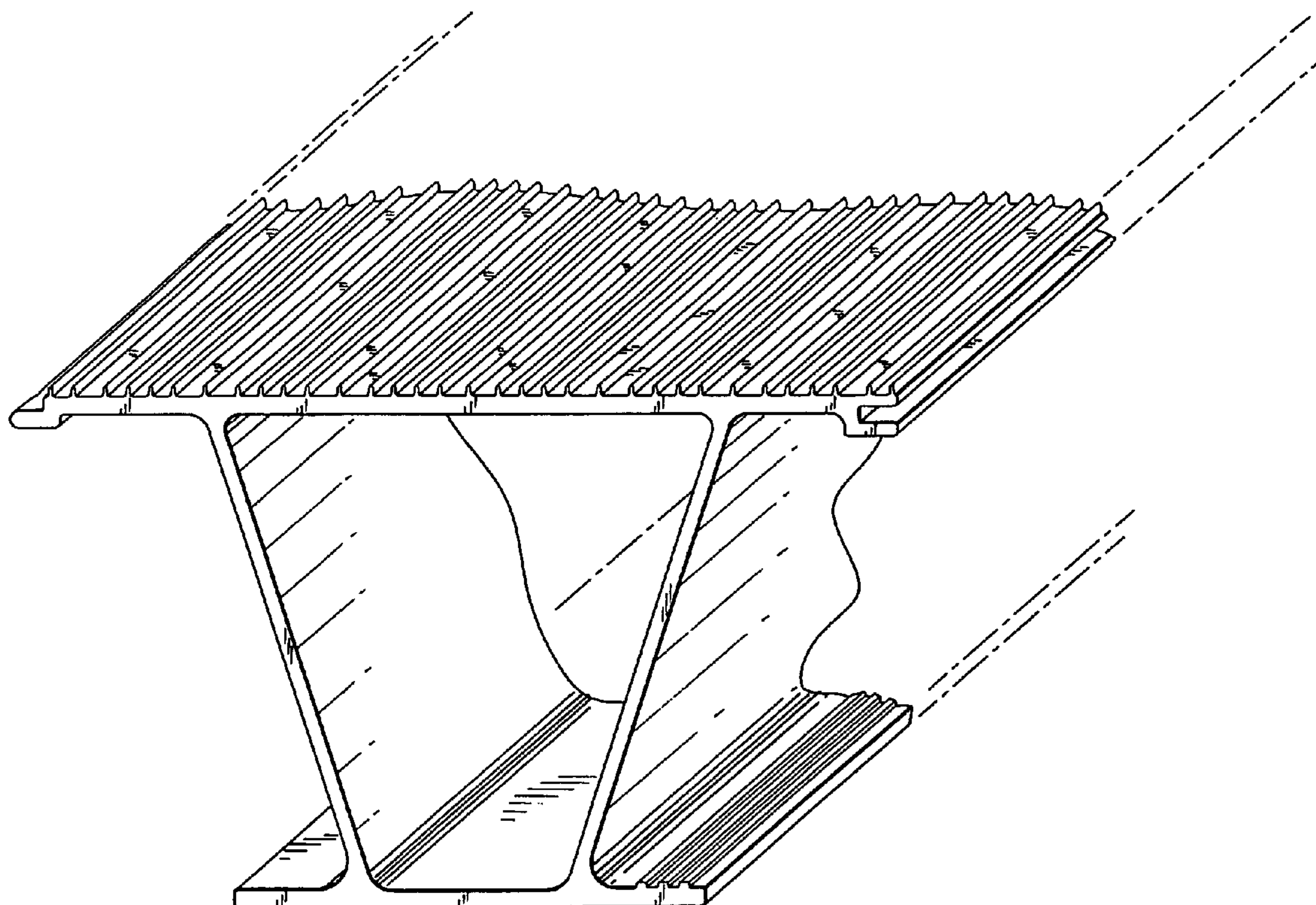
FIG. 5 is a left side elevational view thereof; and,

FIG. 6 is a right side elevational view.

The broken lines shown in the drawing figures are for illustrative purposes only and form no part of the claimed design.

The deck slat has been broken on one end to indicate indefinite length.

1 Claim, 4 Drawing Sheets



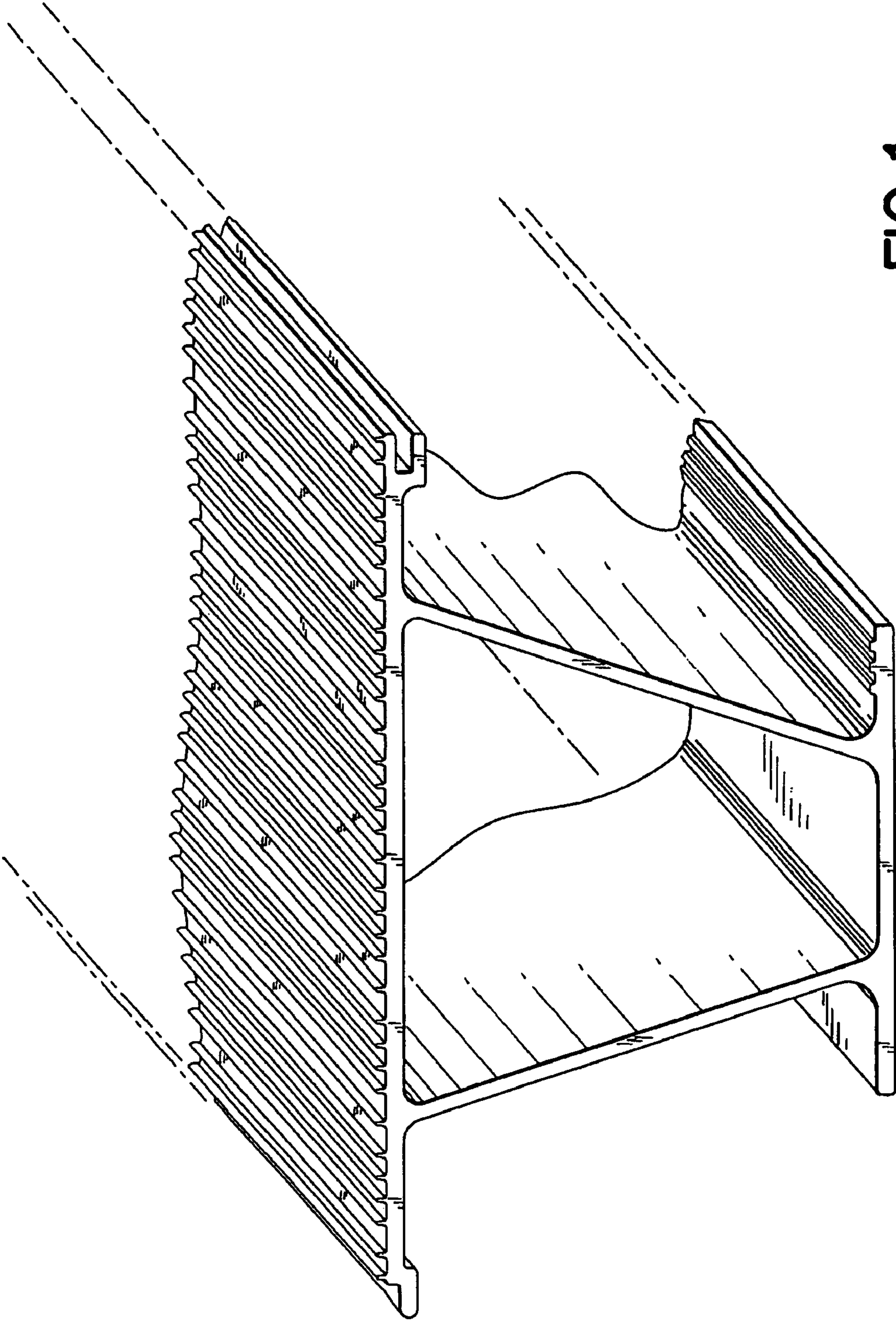


FIG. 1

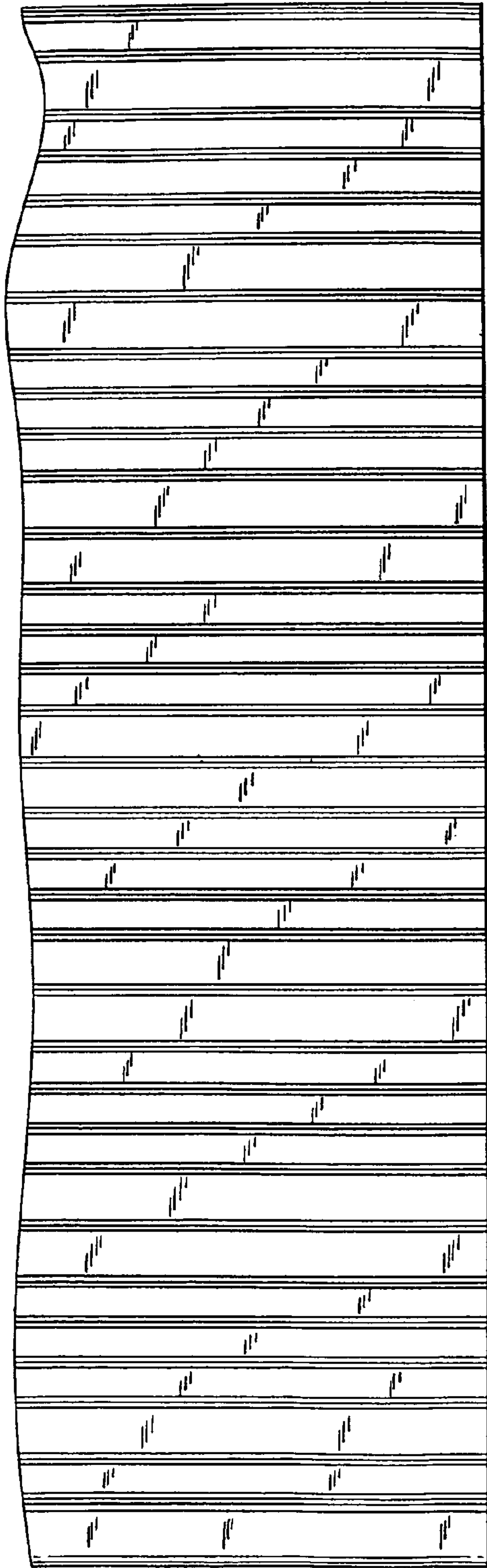


FIG. 2

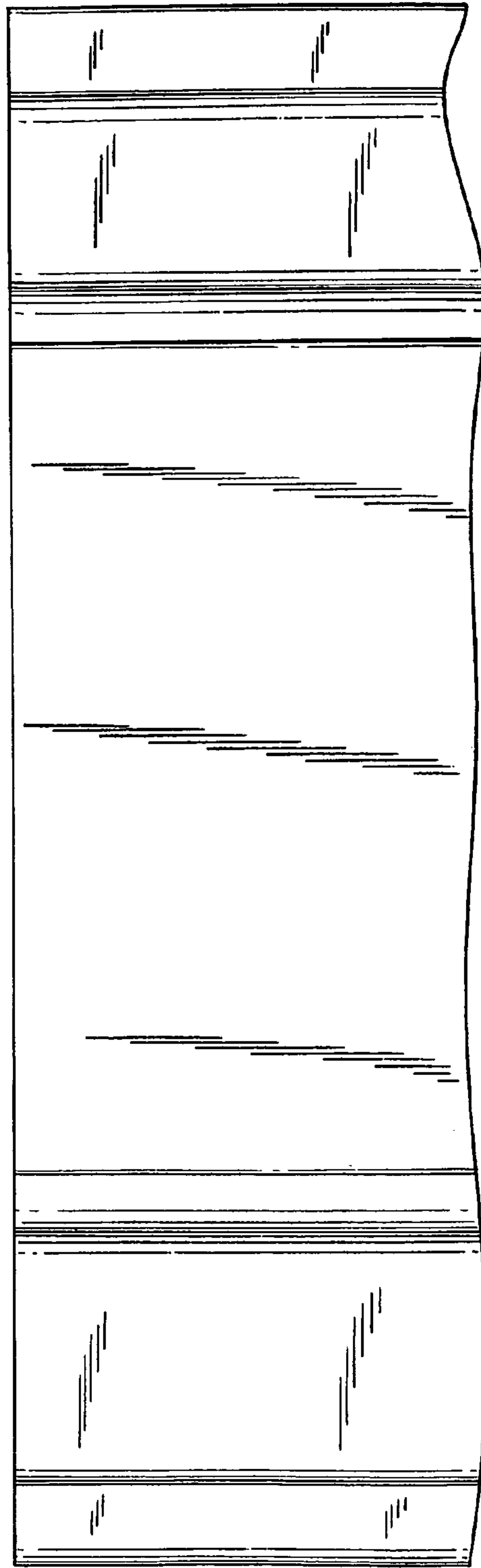


FIG. 4

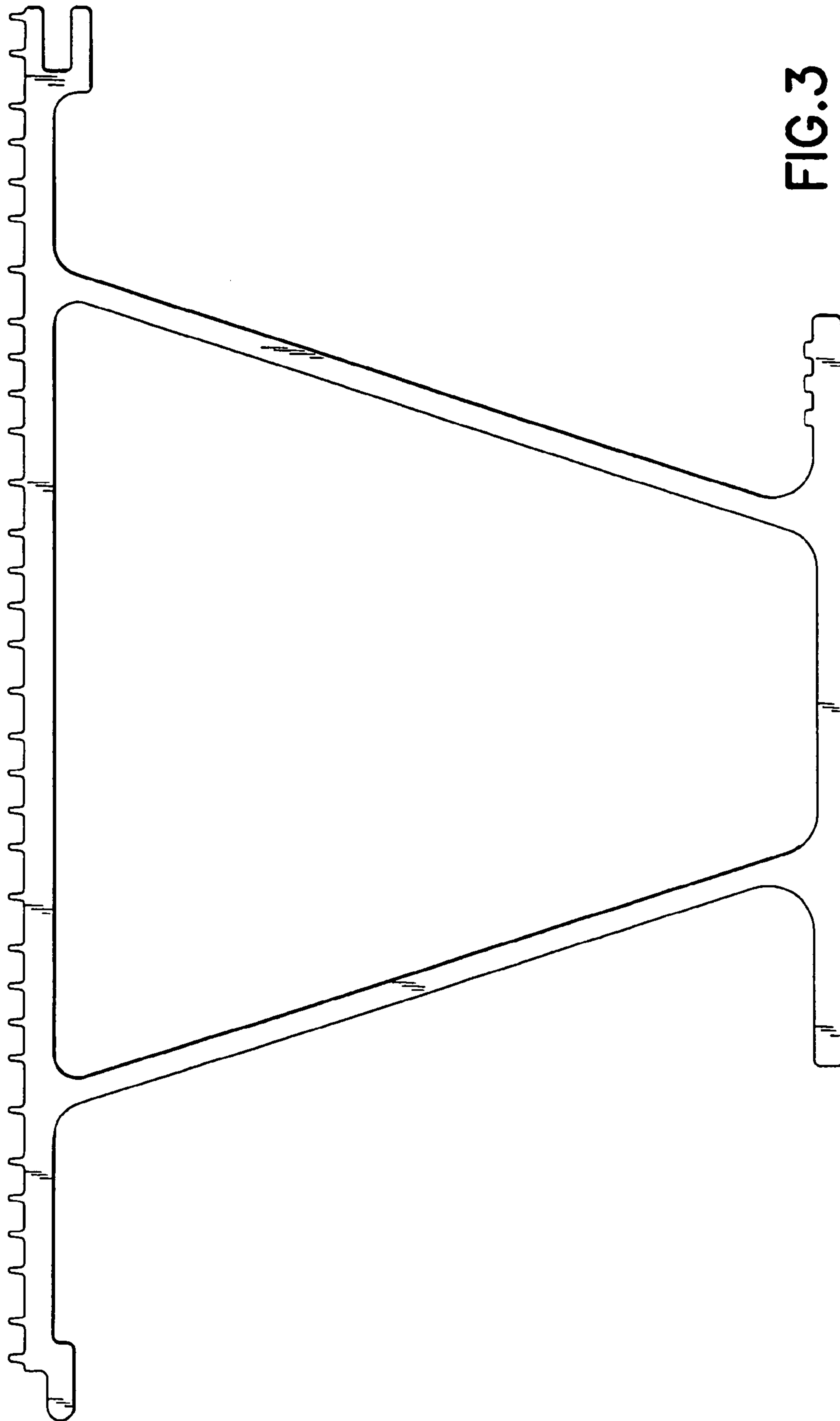


FIG. 3

FIG. 6

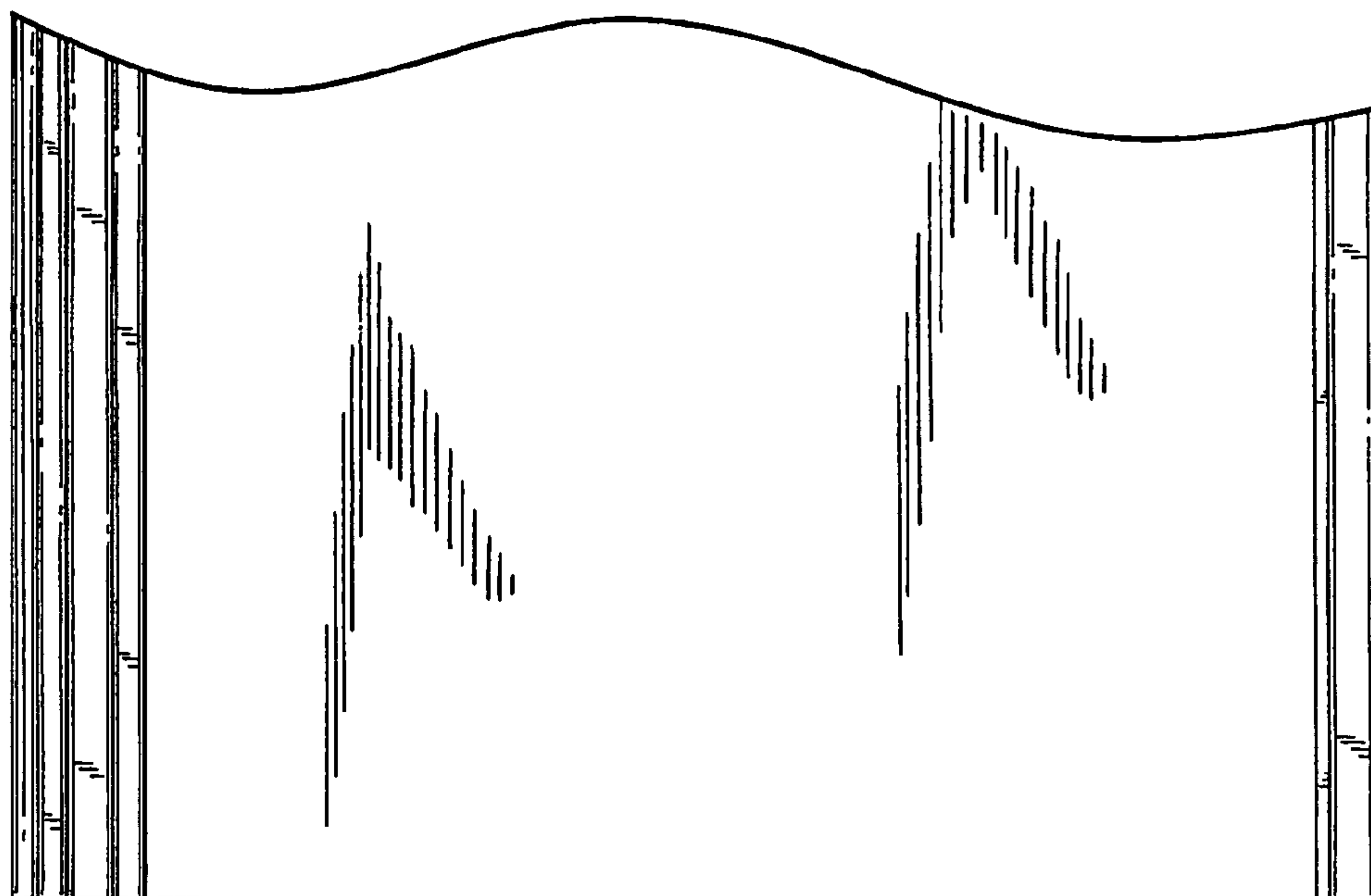


FIG. 5

