



US00D594987S

(12) **United States Design Patent**
Huffman

(10) **Patent No.:** **US D594,987 S**
(45) **Date of Patent:** **** Jun. 23, 2009**

(54) **ARCH DENTAL ARTICULATOR OPPOSING BASE**

(76) Inventor: **Ronald E. Huffman**, P.O. Box 68440,
Oro Valley, AZ (US) 85704

(**) Term: **14 Years**

(21) Appl. No.: **29/321,646**

(22) Filed: **Jul. 21, 2008**

Related U.S. Application Data

(63) Continuation of application No. 29/256,973, filed on
Mar. 28, 2006, now Pat. No. Des. 573,712.

(51) **LOC (9) Cl.** **24-02**

(52) **U.S. Cl.** **D24/182**

(58) **Field of Classification Search** D24/107,
D24/133, 155-157, 181, 182; D29/108;
128/848, 859; 602/902; 623/1.13-1.17,
623/17.16, 44, 16.11, 17.11; 604/1.02; 433/141.2,
433/121; 81/119

See application file for complete search history.

(56) **References Cited**

U.S. PATENT DOCUMENTS

603,803 A	5/1898	White
921,791 A	5/1909	Benson
967,086 A	8/1910	Tuttle
1,013,028 A	12/1911	Lee
1,314,223 A	8/1919	Sorensen
1,745,570 A	2/1930	Dimelow
1,772,027 A	8/1930	Baumgarten
1,780,117 A	10/1930	Craigo
2,031,996 A	2/1936	Zelesnick
2,037,344 A	4/1936	Schwartz
2,234,411 A	3/1941	McDonald
2,376,384 A	5/1945	Ringle et al.
2,398,671 A	4/1946	Saffir
2,577,420 A	12/1951	Jablonski et al.
2,585,857 A	2/1952	Schwartz

2,613,440 A	10/1952	Murray et al.
2,621,407 A	12/1952	Schlesinger
2,669,780 A	2/1954	Mann
2,758,374 A	8/1956	Fisher et al.
2,765,533 A	10/1956	McMorris
2,827,899 A	3/1958	Altieri
2,842,845 A	7/1958	Carlson
2,963,786 A	12/1960	Browning

(Continued)

FOREIGN PATENT DOCUMENTS

DE 3 436 094 A1 3/1985

(Continued)

Primary Examiner—Charles A Rademaker

(74) *Attorney, Agent, or Firm*—Holland & Hart, LLP

(57) **CLAIM**

The ornamental design for an arch dental articulator opposing base, as shown and described.

DESCRIPTION

FIG. 1 is a top and front top perspective view of an arch dental articulator opposing base showing my new design;

FIG. 2 is a top and rear perspective view thereof;

FIG. 3 is a bottom and front perspective view thereof;

FIG. 4 is a bottom and rear perspective view thereof;

FIG. 5 is a front elevation view thereof;

FIG. 6 is a rear elevation view thereof;

FIG. 7 is a left side elevation view thereof;

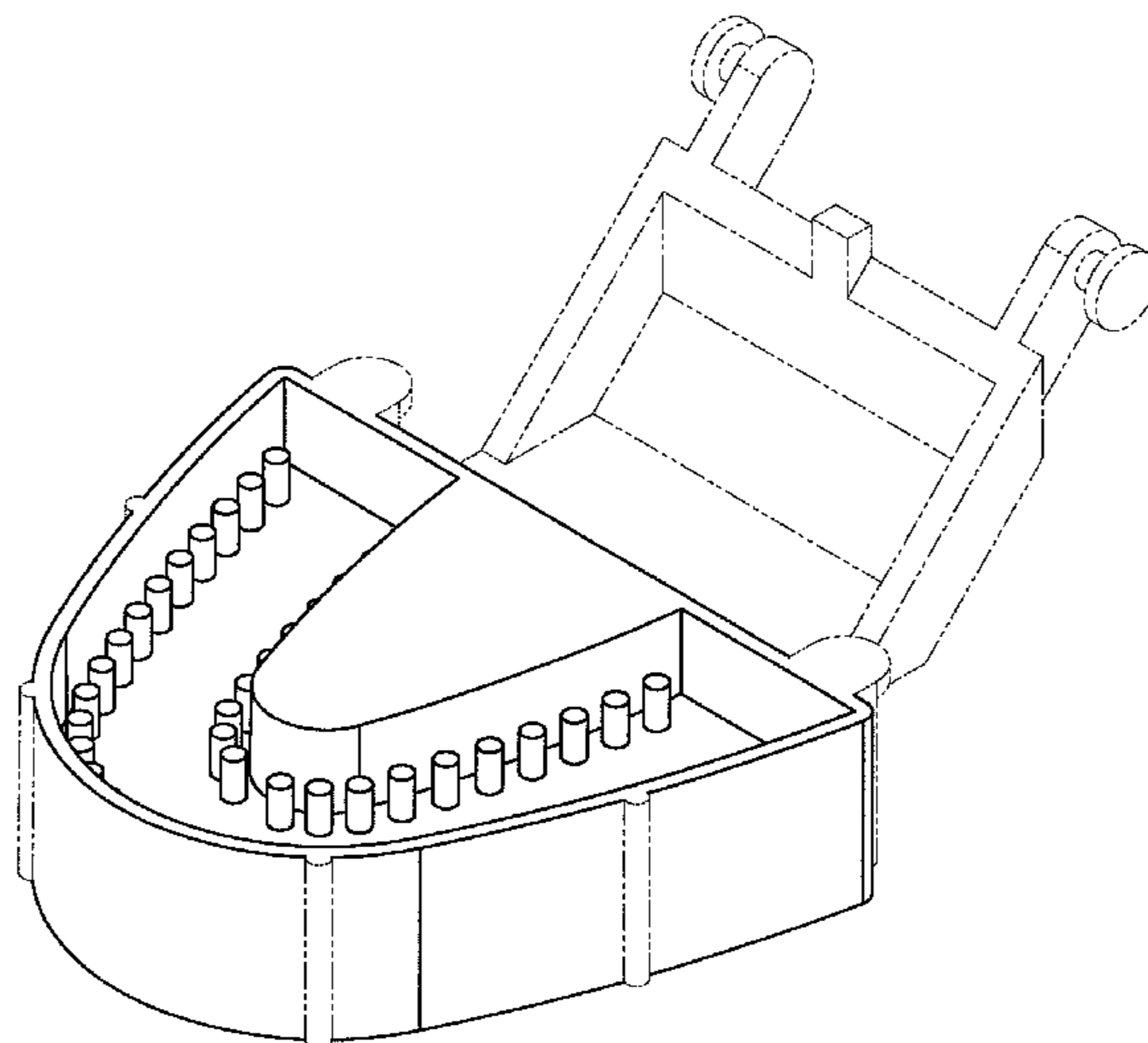
FIG. 8 is a right side elevation view thereof;

FIG. 9 is a top plan view thereof; and,

FIG. 10 is a bottom plan view thereof.

The broken lines showing of portions of the claimed design are included for the purpose of illustrating environmental structures and form no part of the claimed design.

1 Claim, 5 Drawing Sheets



US D594,987 S

Page 2

U.S. PATENT DOCUMENTS					
			4,734,033 A	3/1988	Huffman
			D295,314 S	4/1988	Kwok
3,150,448 A	9/1964	Wozar	4,767,330 A	8/1988	Burger
3,236,235 A	2/1966	Jacobs	4,767,331 A	8/1988	Hoe
3,247,844 A	4/1966	Berghash	4,786,253 A	11/1988	Morais
D210,278 S	2/1968	White	4,834,651 A	5/1989	Fenick
3,416,527 A	12/1968	Hoef	4,842,242 A	6/1989	Huffman
3,453,736 A	7/1969	Waltke	D302,456 S	7/1989	Huffman
3,461,562 A	8/1969	Cooper	D302,587 S	8/1989	Huffman
3,478,428 A	11/1969	Stengel	D302,724 S	8/1989	Huffman
3,510,947 A	5/1970	Tuccillo	D302,725 S	8/1989	Huffman
3,518,761 A	7/1970	Susman et al.	4,865,546 A	9/1989	Naylor
3,552,018 A	1/1971	Zahn	RE33,099 E	10/1989	Shoher et al.
3,581,398 A	6/1971	Thomas	4,886,453 A	12/1989	Ludwigs
3,650,032 A	3/1972	Kestler	D305,361 S	1/1990	Huffman
3,753,291 A	8/1973	Bocian et al.	D305,362 S	1/1990	Huffman
3,815,236 A	6/1974	Cooper	D306,206 S	2/1990	Huffman
3,832,777 A	9/1974	Tinder	4,898,359 A	2/1990	Gopon
3,913,230 A	10/1975	Weiss	4,917,347 A	4/1990	Fenick
3,934,348 A	1/1976	Janjic	RE33,271 E	7/1990	Shoher et al.
3,937,773 A	2/1976	Huffman	4,940,409 A	7/1990	Nordin
3,947,964 A	4/1976	Lee	4,980,124 A	12/1990	Dimmer
3,969,820 A	7/1976	Kulig et al.	D315,209 S	3/1991	Mann
4,021,916 A	5/1977	Spalten	D315,955 S	4/1991	Mann
4,022,419 A	5/1977	Haker	5,015,182 A	5/1991	Newberry
4,116,416 A	9/1978	Segura	5,028,235 A	7/1991	Smith
4,122,606 A	10/1978	Roman	5,044,949 A	9/1991	Xanthopoulos
4,127,939 A	12/1978	Samuel et al.	5,049,075 A	9/1991	Barrut
4,174,570 A	11/1979	Schwartz	5,076,789 A	12/1991	Tanaka
4,203,219 A	5/1980	Wiener	D323,559 S	1/1992	Shafer
D257,387 S	10/1980	Sharky	5,098,290 A	3/1992	Honstein et al.
4,229,167 A	10/1980	Kikuchi et al.	5,100,317 A	3/1992	Darnand
4,240,605 A	12/1980	Waltke	5,197,874 A	3/1993	Silva et al.
4,242,812 A	1/1981	Randoll et al.	5,207,574 A	5/1993	Garland
4,265,619 A	5/1981	Lucki et al.	5,352,117 A	10/1994	Silva
4,283,173 A	8/1981	Browne et al.	5,393,227 A	2/1995	Nooning
4,301,357 A	11/1981	Huffman	5,403,185 A	4/1995	Presswood
4,319,875 A	3/1982	Beckwith	5,466,152 A	11/1995	Walter
4,359,464 A	11/1982	Weinstock	5,470,231 A	11/1995	Stern
4,371,339 A	2/1983	Zeiser	5,501,600 A	3/1996	Johnson
4,378,929 A	4/1983	Huffman	5,586,884 A	12/1996	Kraus
4,382,787 A	5/1983	Huffman	5,622,497 A	4/1997	Cho
4,398,884 A	8/1983	Huffman	5,645,425 A	7/1997	Callne
4,403,961 A	9/1983	Gurney	5,722,828 A	3/1998	Halstrom
4,436,511 A	3/1984	Mitchell, Sr.	5,766,007 A	6/1998	Huffman
4,439,151 A	3/1984	Whelan	5,769,634 A	6/1998	Choi
4,443,192 A	4/1984	Blitz	5,775,899 A	7/1998	Huffman
4,449,930 A	5/1984	Huffman	5,788,489 A	8/1998	Huffman
4,449,931 A	5/1984	Saito	5,788,490 A	8/1998	Huffman
4,459,110 A	7/1984	Jackson	5,800,166 A	9/1998	Huffman
4,460,338 A	7/1984	Mercer et al.	5,807,099 A	9/1998	Johnson
4,473,353 A	9/1984	Greggs	5,868,138 A	2/1999	Halstrom
4,481,162 A	11/1984	Huffman	5,868,569 A	2/1999	Huffman
4,494,934 A	1/1985	Huffman	D408,919 S	4/1999	Cooley
4,504,226 A	3/1985	Gordon	5,934,901 A	8/1999	Huffman
D278,274 S	4/1985	Levine	5,970,981 A	10/1999	Ochel
4,521,188 A	6/1985	Metzler	5,996,963 A	12/1999	Michael
4,533,323 A	8/1985	Huffman	6,033,221 A	3/2000	Tsubota et al.
4,538,987 A	9/1985	Weissman	D429,815 S	8/2000	Huffman
4,548,581 A	10/1985	Huffman	D430,672 S	9/2000	Huffman
D283,541 S	4/1986	Huffman	D433,136 S	10/2000	Huffman
D283,542 S	4/1986	Huffman	D433,754 S	11/2000	Huffman
D283,639 S	4/1986	Huffman	6,149,428 A	11/2000	Mogensen
D283,730 S	5/1986	Huffman	6,186,781 B1	2/2001	Iba
4,608,016 A	8/1986	Zeiser	6,193,511 B1	2/2001	Hudson
D286,179 S	10/1986	Huffman	6,234,794 B1	5/2001	Ozaki
D286,436 S	10/1986	Huffman	D443,363 S	6/2001	Huffman
4,645,454 A	2/1987	Amdur et al.	D444,559 S	7/2001	Huffman
D289,924 S	5/1987	Huffman	D452,009 S	12/2001	Huffman
4,671,770 A	6/1987	Bell et al.	D452,010 S	12/2001	Huffman
4,708,648 A	11/1987	Weissman	D452,319 S	12/2001	Huffman
4,708,835 A	11/1987	Kiefer	D452,320 S	12/2001	Huffman
4,721,464 A	1/1988	Roden et al.	D452,321 S	12/2001	Huffman

US D594,987 S

D452,322 S	12/2001	Huffman		D571,919 S	6/2008	Kwon et al.
D452,566 S	12/2001	Huffman		D573,712 S	7/2008	Huffman
D452,567 S	12/2001	Huffman		D575,404 S	8/2008	Huffman
D452,568 S	12/2001	Huffman		D575,873 S *	8/2008	Huffman D24/182
6,364,661 B1	4/2002	Brattesani		D576,732 S	9/2008	Huffman
D456,902 S	5/2002	Huffman		D576,733 S *	9/2008	Huffman D24/182
D456,903 S	5/2002	Huffman		D576,734 S *	9/2008	Huffman D24/182
D456,904 S	5/2002	Huffman		D582,559 S	12/2008	Khawaled et al.
D457,243 S	5/2002	Huffman		2003/0207230 A1	11/2003	Garland
D457,636 S	5/2002	Huffman		2004/0013998 A1	1/2004	Jung et al.
D457,637 S	5/2002	Huffman		2004/0023185 A1	2/2004	Gittleman
D457,963 S	5/2002	Huffman		2004/0096802 A1	5/2004	Gittleman
D457,964 S	5/2002	Huffman		2004/0197729 A1	10/2004	Honstein et al.
6,425,759 B1	7/2002	Cronin		2005/0064364 A1	3/2005	Huffman
D464,431 S	10/2002	Huffman		2005/0064365 A1	3/2005	Huffman
D464,432 S	10/2002	Huffman		2006/0281043 A1	12/2006	Huffman
D464,732 S	10/2002	Huffman		2007/0037115 A1	2/2007	Sim
D464,733 S	10/2002	Huffman		2007/0231770 A1	10/2007	Huffman
D465,027 S	10/2002	Huffman				
6,471,513 B1	10/2002	Huffman				
D468,018 S	12/2002	Huffman				
D468,431 S	1/2003	Huffman				
D468,432 S	1/2003	Huffman				
D469,537 S	1/2003	Huffman				
6,511,318 B2	1/2003	Kim				
D481,797 S	11/2003	Huffman				
6,726,477 B2	4/2004	Gittleman				
D491,269 S	6/2004	Tucker et al.				
6,884,068 B2	4/2005	Huffman				
6,886,566 B2	5/2005	Eubank				
6,932,608 B1	8/2005	Gagliano et al.				
D512,148 S	11/2005	Kwok				
7,044,734 B2	5/2006	Huffman				
D529,177 S	9/2006	Huffman				
D529,178 S	9/2006	Huffman				
7,108,507 B2	9/2006	Huffman				
D530,014 S	10/2006	Huffman				
7,147,465 B2	12/2006	Jung et al.				
7,156,660 B2	1/2007	Huffman				
D537,987 S	3/2007	Manzo et al.				
D539,429 S	3/2007	Wong				
7,210,931 B1	5/2007	Huffman				
D547,452 S	7/2007	Costello				
D551,767 S *	9/2007	Costello D24/182				
D559,986 S	1/2008	Huffman				
7,338,283 B2	3/2008	Honstein et al.				
7,341,451 B2	3/2008	Huffman				
7,341,541 B2	3/2008	Houtman				
7,347,689 B2	3/2008	Huffman				
D566,281 S	4/2008	Huffman				
D567,380 S *	4/2008	Huffman D24/182				

FOREIGN PATENT DOCUMENTS

DE	3 505 680	A1	7/1985
DE	3 521 137	A1	12/1986
DE	3 825 014	A1	1/1990
DE	295 06 480	U1	8/1995
DE	296 13 916	U1	1/1998
DE	4 01 05 710.0		10/2001
EP	0 210 484	A2	2/1985
EP	0 151 086	A2	8/1985
EP	0 277 026	A2	8/1988
EP	0 291 821	A1	11/1988
EP	0 528 335	A1	2/1993
FR	2 750 851	A1	1/1998
FR	2 757 372	A1	6/1998
FR	2 770 994		5/1999
FR	653652TO653664		2/2002
GB	866118		4/1961
GB	886118		1/1962
GB	2102229	A	1/1983
GB	2105427		3/1983
GB	1014814		2/1984
GB	1053786		4/1989
GB	2075293		9/1998
GB	2101077		4/2001
JP	58-147508		10/1983
JP	1175348		4/2003
JP	1178837		5/2003
WO	WO 88/10101		12/1988
WO	WO 97/16130		5/1997
WO	WO 01/01881	A2	1/2001

* cited by examiner

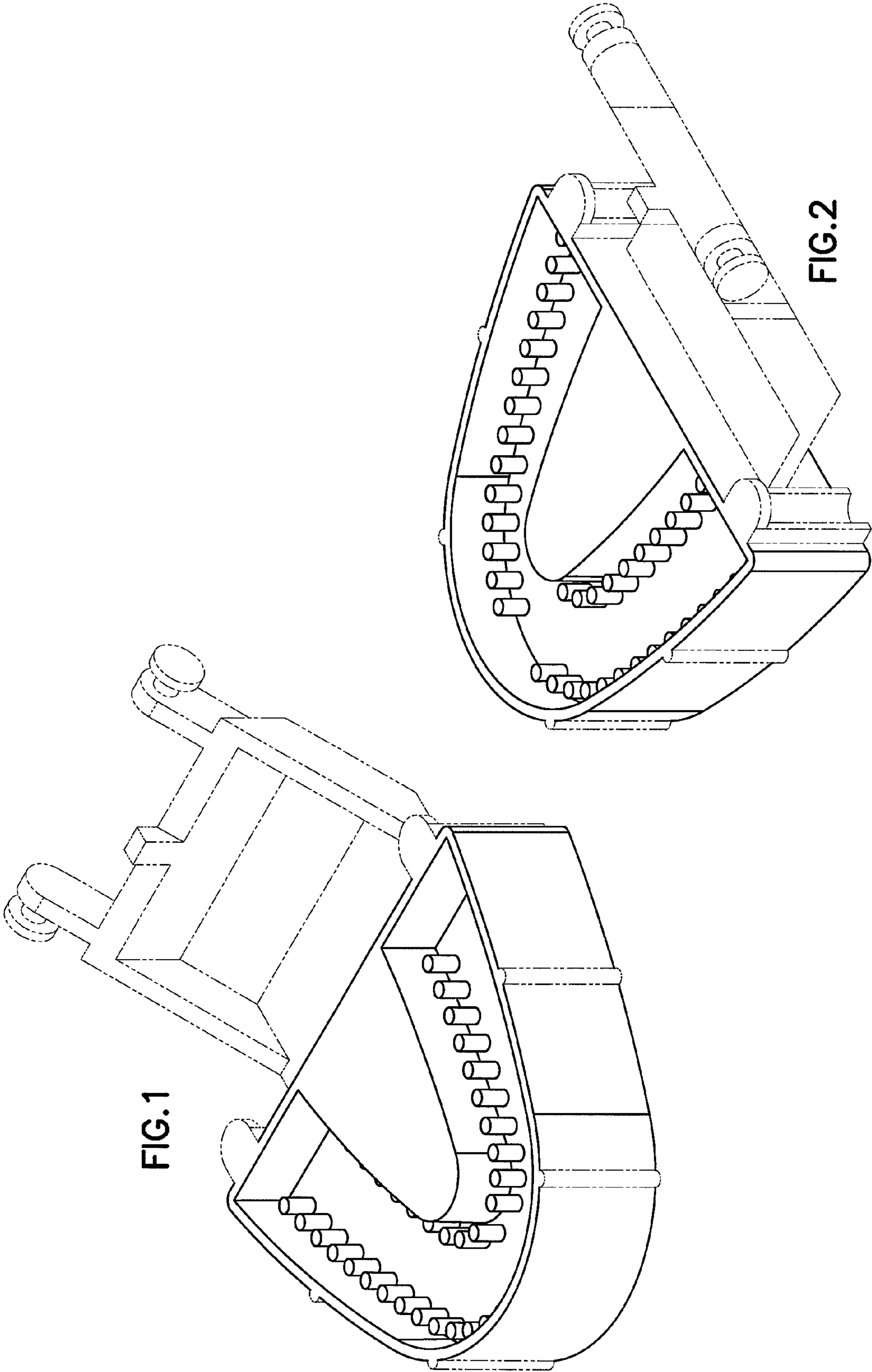
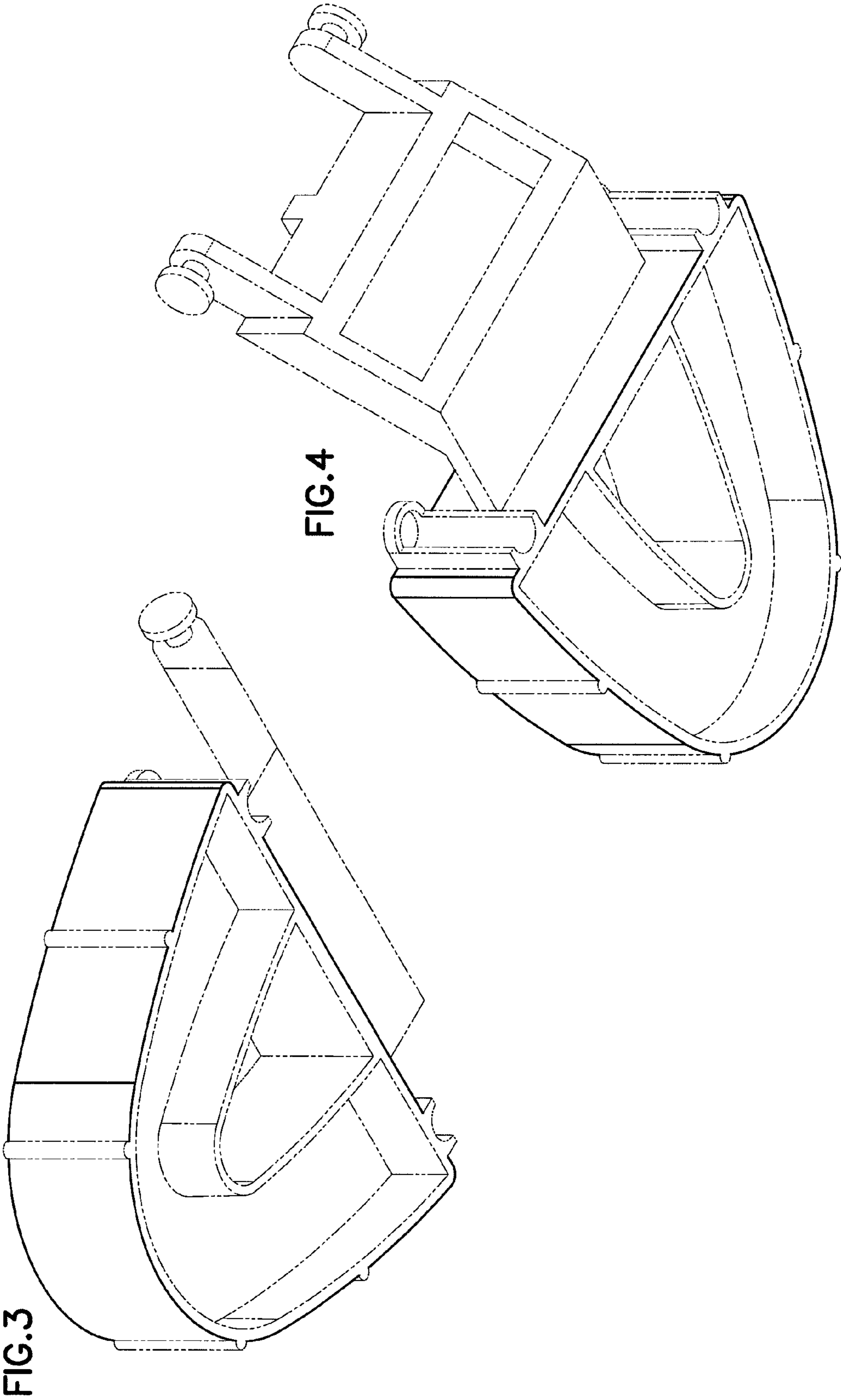


FIG. 1

FIG. 2



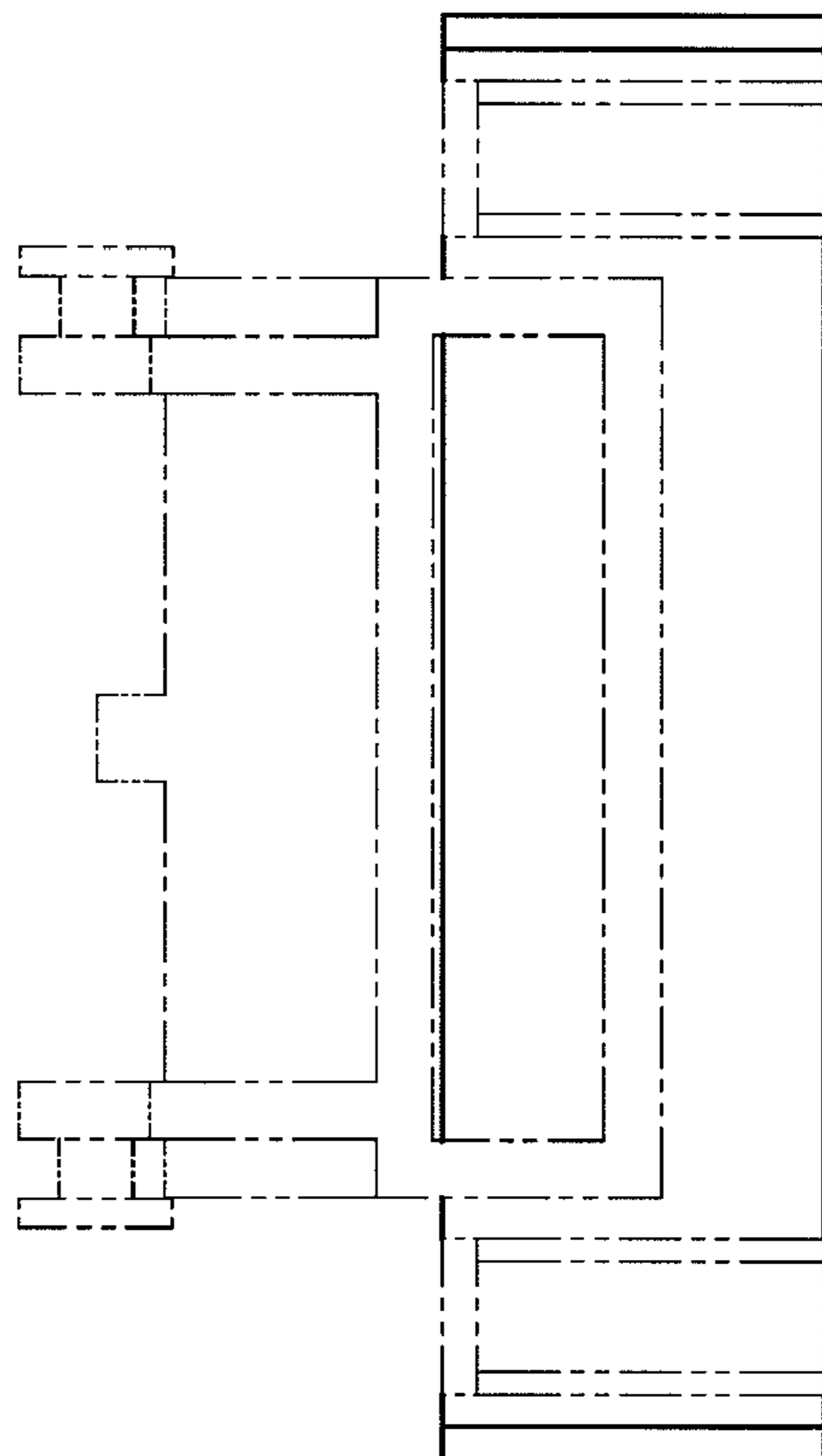


FIG. 5

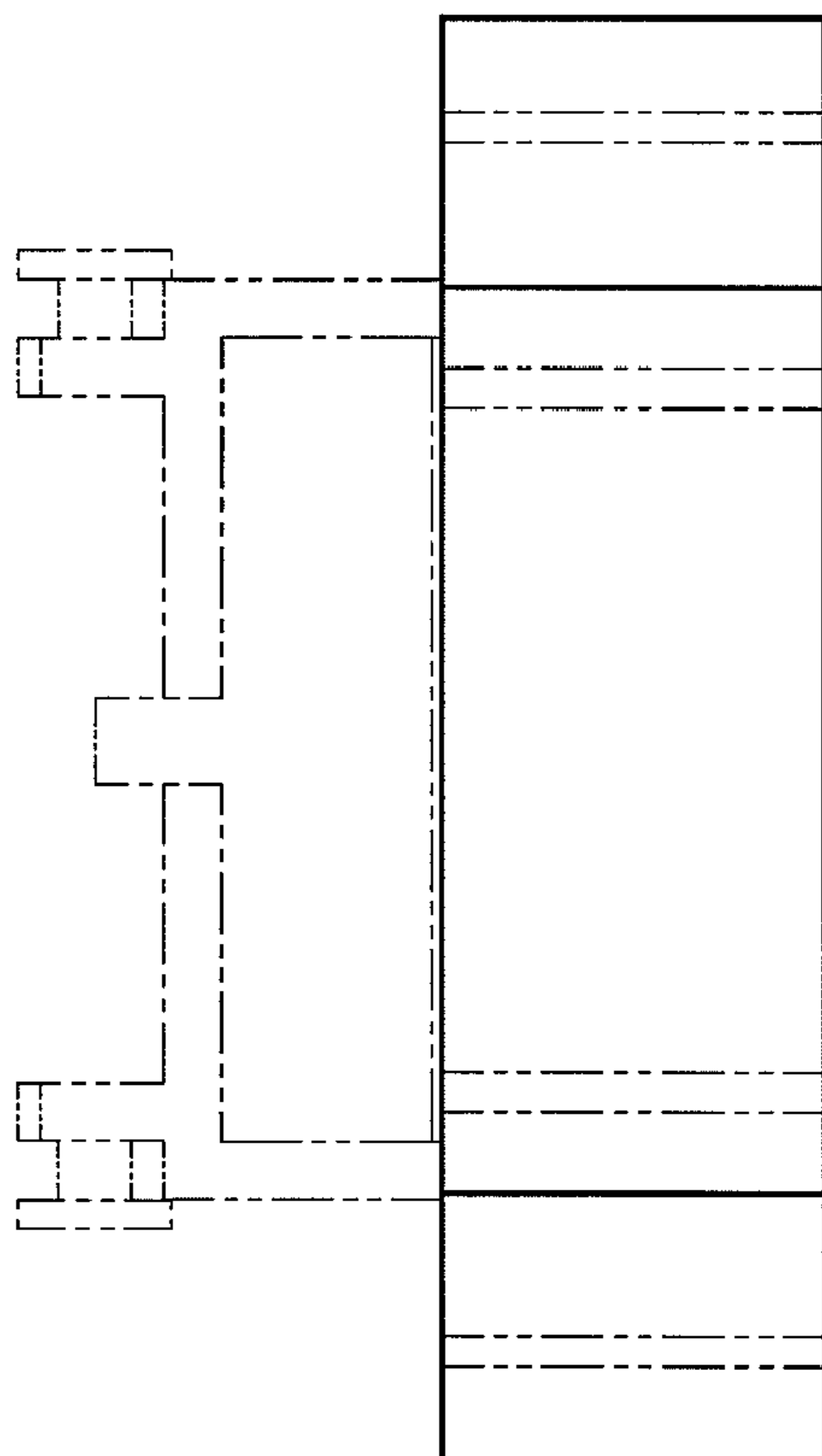


FIG. 6

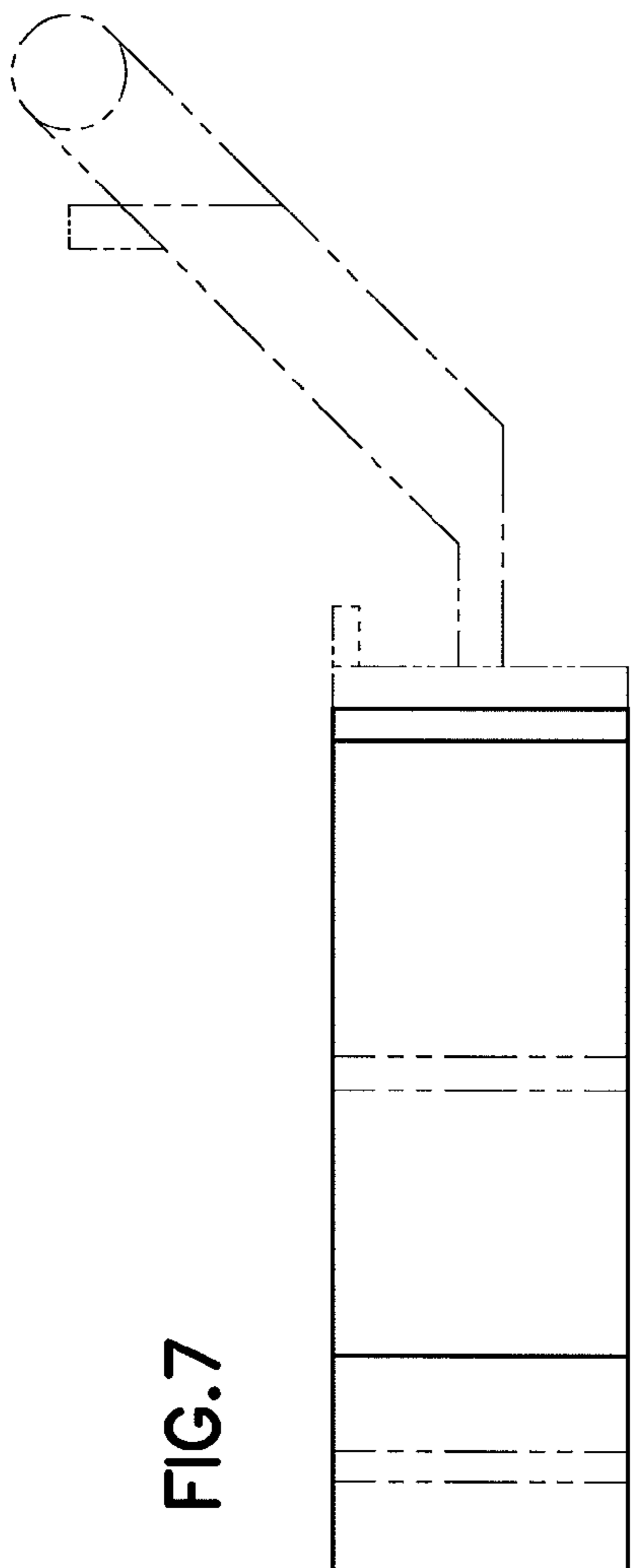


FIG. 7

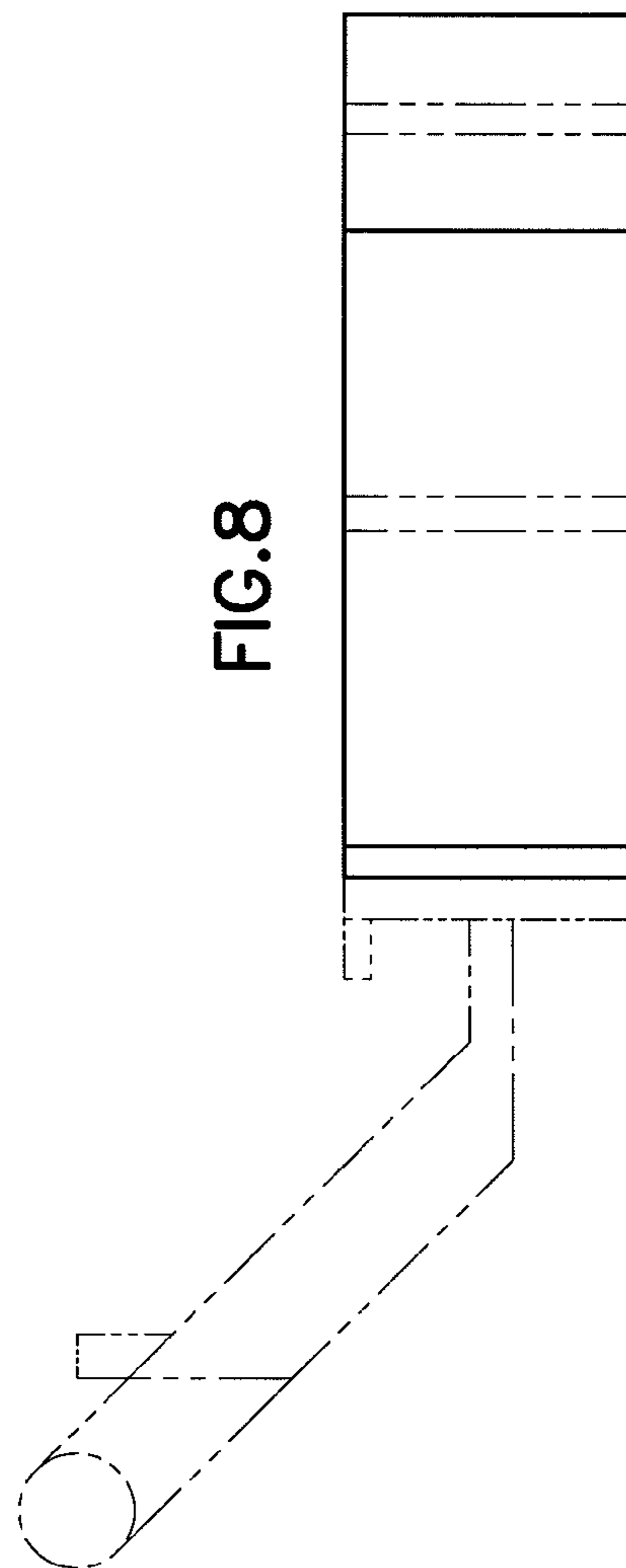


FIG. 8

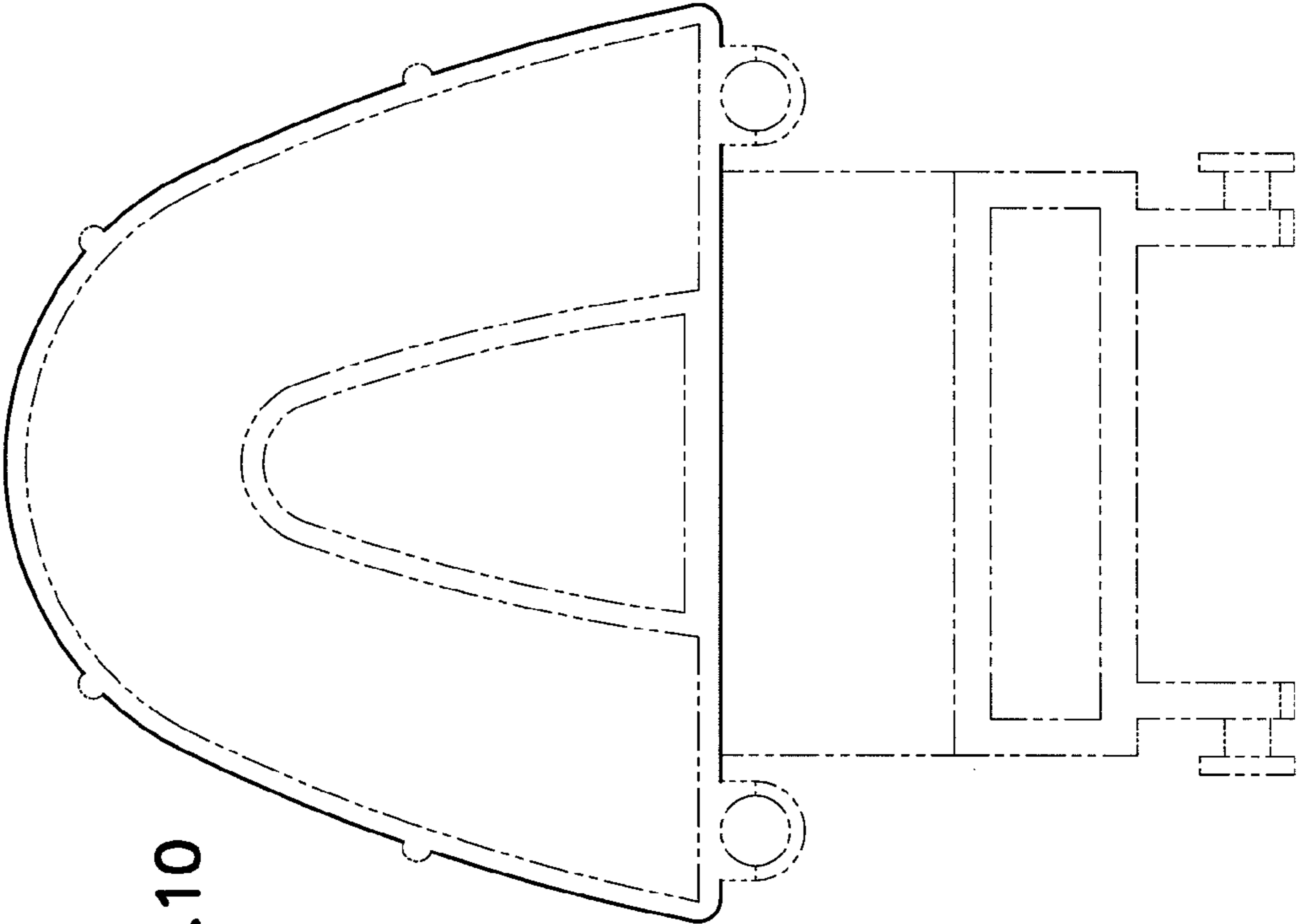


FIG. 10

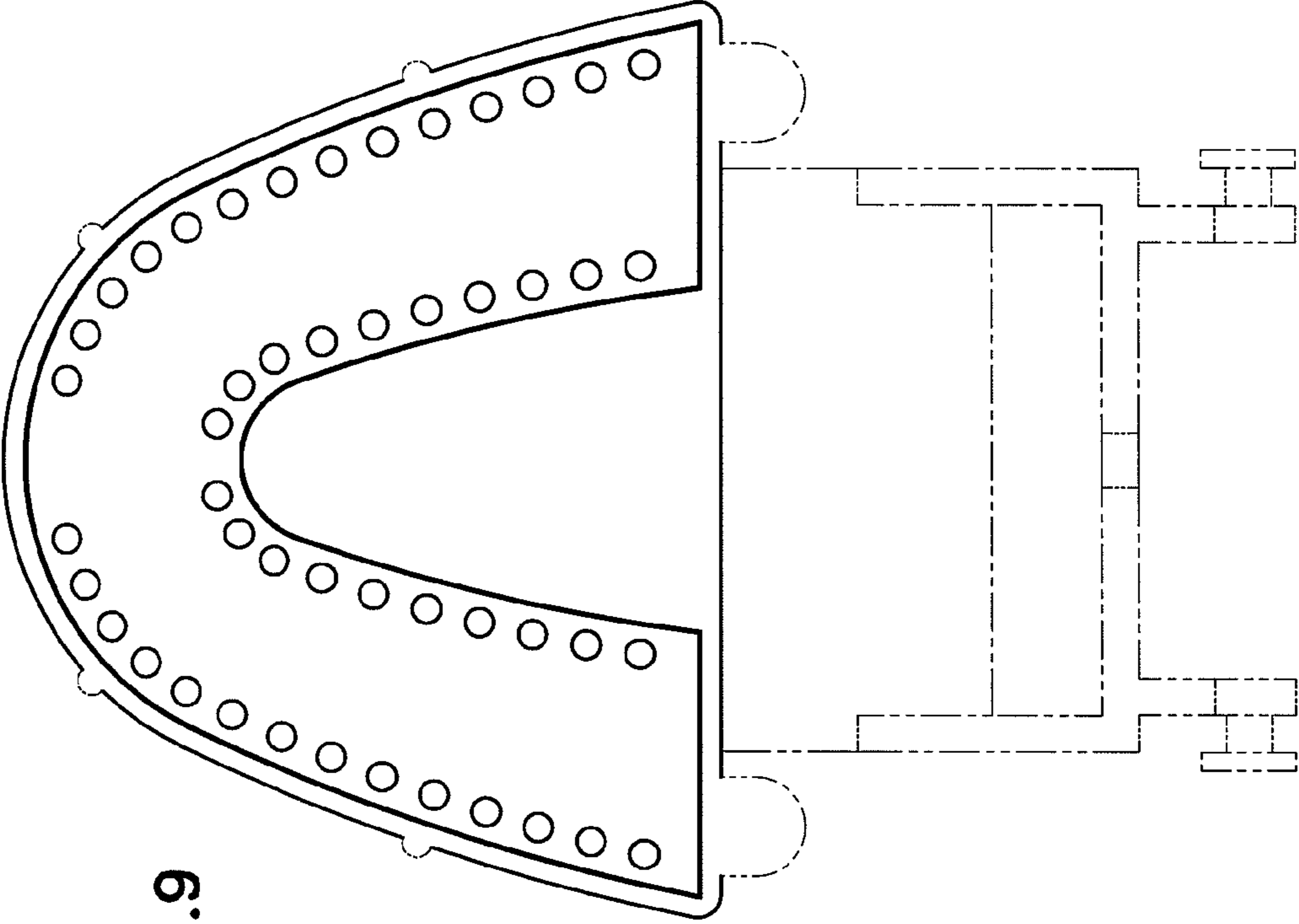


FIG. 9