



US00D594986S

(12) **United States Design Patent**
Miles et al.

(10) **Patent No.:** **US D594,986 S**
(45) **Date of Patent:** **** Jun. 23, 2009**

- (54) **INTERVERTEBRAL IMPLANT**
- (75) Inventors: **Patrick Miles**, San Diego, CA (US);
Matthew Curran, Carlsbad, CA (US);
Luiz Pimenta, San Paulo (BR)
- (73) Assignee: **NuVasive, Inc.**, San Diego, CA (US)
- (**) Term: **14 Years**
- (21) Appl. No.: **29/306,656**
- (22) Filed: **Apr. 14, 2008**

- 5,443,514 A 8/1995 Steffee
- 5,458,638 A 10/1995 Kuslich et al.
- 5,484,437 A 1/1996 Michelson
- 5,489,308 A 2/1996 Kuslich et al.
- 5,514,180 A 5/1996 Heggeness et al.
- 5,522,899 A 6/1996 Michelson
- 5,593,409 A 1/1997 Michelson
- 5,609,636 A 3/1997 Kohrs et al.
- 5,645,598 A 7/1997 Brosnahan et al.
- 5,653,761 A 8/1997 Pisharodi
- 5,653,762 A 8/1997 Pisharodi
- 5,658,336 A 8/1997 Pisharodi
- 5,658,337 A 8/1997 Kohrs et al.
- 5,662,710 A 9/1997 Bonutti
- 5,665,122 A 9/1997 Kambin
- 5,669,909 A 9/1997 Zdeblick et al.
- 5,683,394 A 11/1997 Rinner
- 5,683,464 A 11/1997 Wagner et al.
- 5,700,291 A 12/1997 Kuslich et al.

Related U.S. Application Data

- (63) Continuation of application No. 11/093,409, filed on Mar. 29, 2005.

- (51) **LOC (9) Cl.** **24-03**
- (52) **U.S. Cl.** **D24/155**
- (58) **Field of Classification Search** D24/155,
D24/156, 157; 623/17.11, 16.71, 16.11;
D8/391-393, 382, 354; 606/246, 247, 248,
606/249, 258, 267, 280, 70, 71, 283, 299,
606/166, 903, 905, 906, 286, 396, 296; D15/139
See application file for complete search history.

(56) **References Cited**

U.S. PATENT DOCUMENTS

- 4,743,256 A 5/1988 Brantigan
- 4,834,757 A 5/1989 Brantigan
- 4,877,020 A 10/1989 Vich
- 4,878,915 A 11/1989 Brantigan
- 4,950,296 A 8/1990 McIntyre
- 4,961,740 A 10/1990 Ray et al.
- 5,026,373 A 6/1991 Ray et al.
- 5,055,104 A 10/1991 Ray
- 5,171,278 A 12/1992 Pisharodi
- 5,192,327 A 3/1993 Brantigan
- 5,304,210 A 4/1994 Crook
- 5,306,307 A 4/1994 Senter et al.
- 5,306,309 A 4/1994 Wagner et al.
- 5,397,364 A 3/1995 Kozak et al.
- 5,425,772 A 6/1995 Brantigan

(Continued)

FOREIGN PATENT DOCUMENTS

CA 2015507 1/1999

(Continued)

Primary Examiner—Charles A Rademaker
(74) *Attorney, Agent, or Firm*—Jonathan Spangler; Rory Schermerhorn

(57) **CLAIM**

The ornamental design for an intervertebral implant, as shown and described.

DESCRIPTION

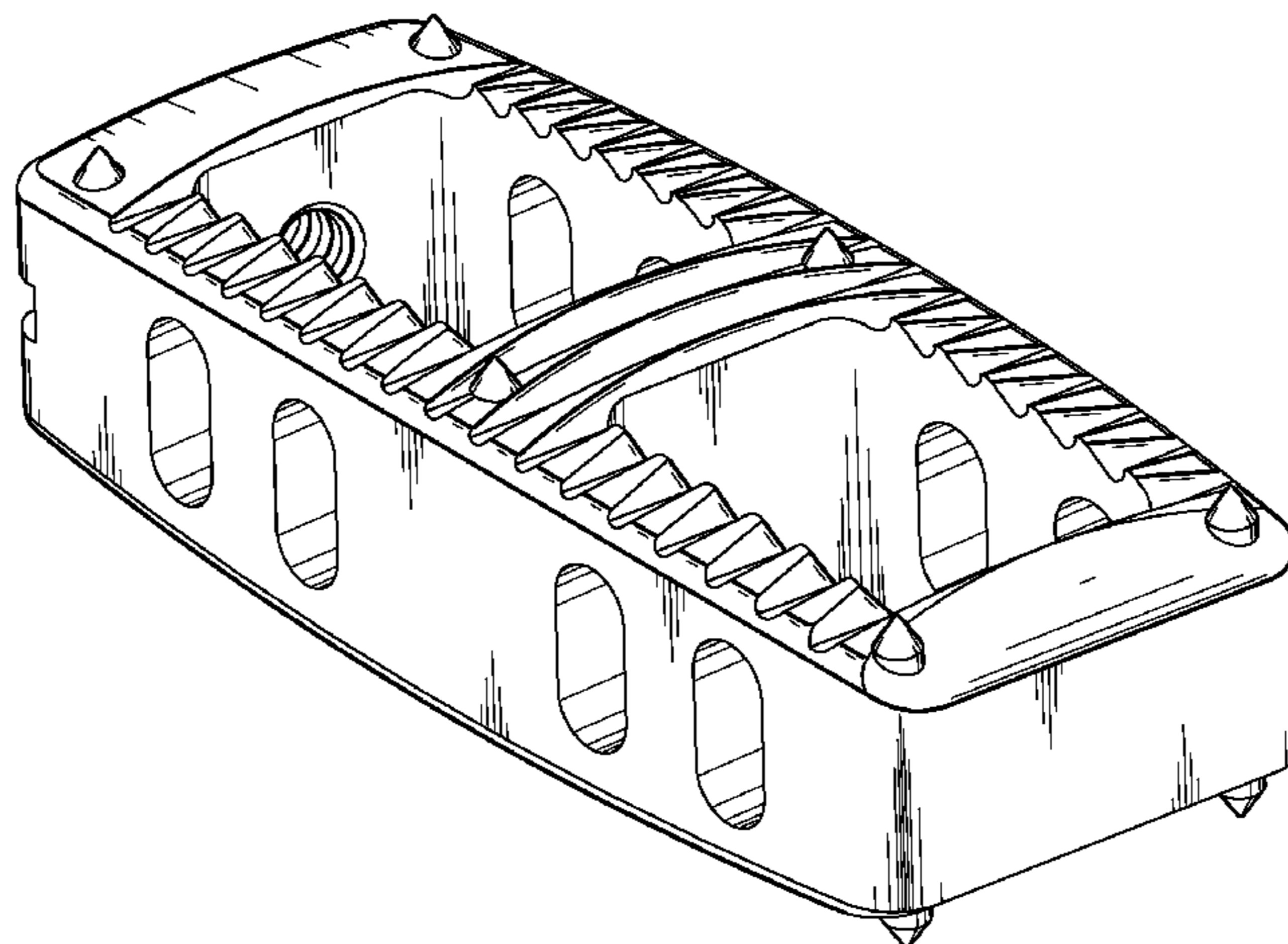
FIG. 1 is a top perspective view of an intervertebral implant showing our new design;

FIG. 2 is a top plan view thereof;

FIG. 3 is side elevation thereof the side opposite being a mirror image; and,

FIG. 4 is an end elevation thereof of the end opposite that shown in FIG. 1.

1 Claim, 4 Drawing Sheets



US D594,986 S

U.S. PATENT DOCUMENTS

5,702,449	A	12/1997	McKay	
5,716,415	A	2/1998	Steffee	
5,720,748	A	2/1998	Kuslich et al.	
5,728,159	A	3/1998	Stroeve et al.	
5,741,253	A	4/1998	Michelson	
5,766,252	A	6/1998	Henry et al.	
5,772,661	A	6/1998	Michelson	
5,782,830	A	7/1998	Farris	
5,782,919	A	7/1998	Zdeblick et al.	
5,785,710	A	7/1998	Michelson	
5,797,917	A	8/1998	Boyd et al.	
5,814,084	A	9/1998	Grivas et al.	
5,860,973	A	1/1999	Michelson	
5,865,845	A	2/1999	Thalgott	
5,865,848	A	2/1999	Baker	
5,885,299	A	3/1999	Winslow et al.	
5,888,224	A	3/1999	Beckers et al.	
5,888,228	A *	3/1999	Knothe et al.	623/17.16
5,893,890	A	4/1999	Pisharodi	
5,904,719	A	5/1999	Errico et al.	
5,968,098	A	10/1999	Winslow	
6,003,426	A	12/1999	Castro et al.	
6,033,405	A	3/2000	Winslow et al.	
6,045,580	A	4/2000	Scarborough et al.	
6,059,829	A	5/2000	Schlapfer et al.	
6,063,088	A	5/2000	Winslow	
6,083,225	A	7/2000	Winslow et al.	
6,096,080	A	8/2000	Nicholson et al.	
6,102,948	A	8/2000	Brosnahan, III	
6,120,503	A	9/2000	Michelson	
6,120,506	A	9/2000	Kohrs et al.	
6,143,033	A	11/2000	Paul et al.	
6,159,211	A	12/2000	Boriani et al.	
6,200,347	B1	3/2001	Anderson et al.	
6,206,922	B1	3/2001	Zdeblick et al.	
6,224,607	B1	5/2001	Michelson	
6,224,631	B1	5/2001	Kohrs	
6,241,771	B1	6/2001	Gresser et al.	
6,251,140	B1	6/2001	Marino et al.	
6,258,125	B1	7/2001	Paul et al.	
6,277,149	B1	8/2001	Boyle et al.	
6,325,827	B1 *	12/2001	Lin	623/17.16
6,371,989	B1	4/2002	Chauvin et al.	
6,383,221	B1	5/2002	Scarborough et al.	
6,409,766	B1	6/2002	Brett	
6,432,140	B1	8/2002	Lin	

6,447,547	B1	9/2002	Michelson	
6,468,311	B2	10/2002	Boyd et al.	
6,491,724	B1	12/2002	Ferree	
6,527,773	B1	3/2003	Lin et al.	
D472,634	S	4/2003	Anderson	
D473,650	S	4/2003	Anderson	
6,547,823	B2	4/2003	Scarborough et al.	
6,635,086	B2	10/2003	Lin	
6,648,895	B2	11/2003	Burkus et al.	
6,676,703	B2 *	1/2004	Biscup	623/17.16
6,743,255	B2	6/2004	Ferree	
6,746,484	B1	6/2004	Liu et al.	
6,824,564	B2	11/2004	Crozet	
D503,801	S	4/2005	Jackson	
6,942,698	B1 *	9/2005	Jackson	623/17.16
6,964,687	B1	11/2005	Bernard et al.	
6,979,353	B2 *	12/2005	Bresina	623/17.16
6,984,245	B2	1/2006	McGahan et al.	
6,986,788	B2	1/2006	Paul et al.	
6,989,031	B2	1/2006	Michelson	
7,018,416	B2	3/2006	Hanson et al.	
D524,443	S *	7/2006	Blain	D24/155
D530,423	S *	10/2006	Miles et al.	D24/155
D533,277	S *	12/2006	Blain	D24/155
7,195,643	B2 *	3/2007	Jackson	623/17.11
D541,940	S *	5/2007	Blain	D24/155
D564,095	S *	3/2008	Blain	D24/155
D566,276	S *	4/2008	Blain	D24/155
2003/0105528	A1	6/2003	Shimp et al.	
2003/0109928	A1 *	6/2003	Pasquet et al.	623/17.11
2003/0139812	A1	7/2003	Garcia et al.	
2005/0203538	A1	9/2005	Lo et al.	

FOREIGN PATENT DOCUMENTS

EP	369603	5/1990
EP	716840	6/1996
EP	796593	9/1997
EP	880938	2/1998
WO	WO-91/06261	5/1991
WO	WO-96/08205	3/1996
WO	WO-97/33525	9/1997
WO	WO-97/37620	10/1997
WO	WO-98/09586	3/1998
WO	WO-98/17208	4/1998
WO	WO-99/08627	2/1999
WO	WO-99/38461	8/1999

* cited by examiner

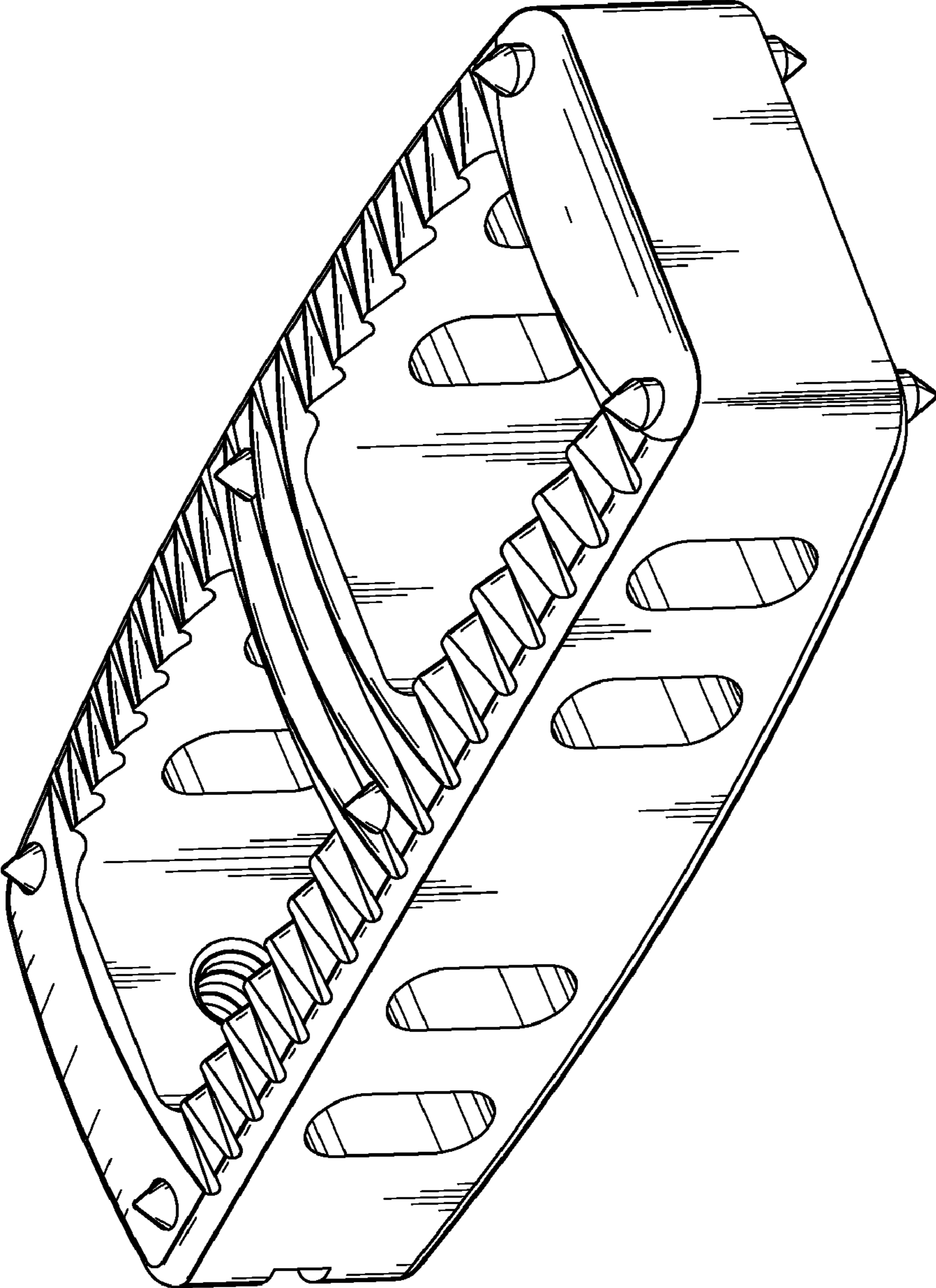


FIG. 1

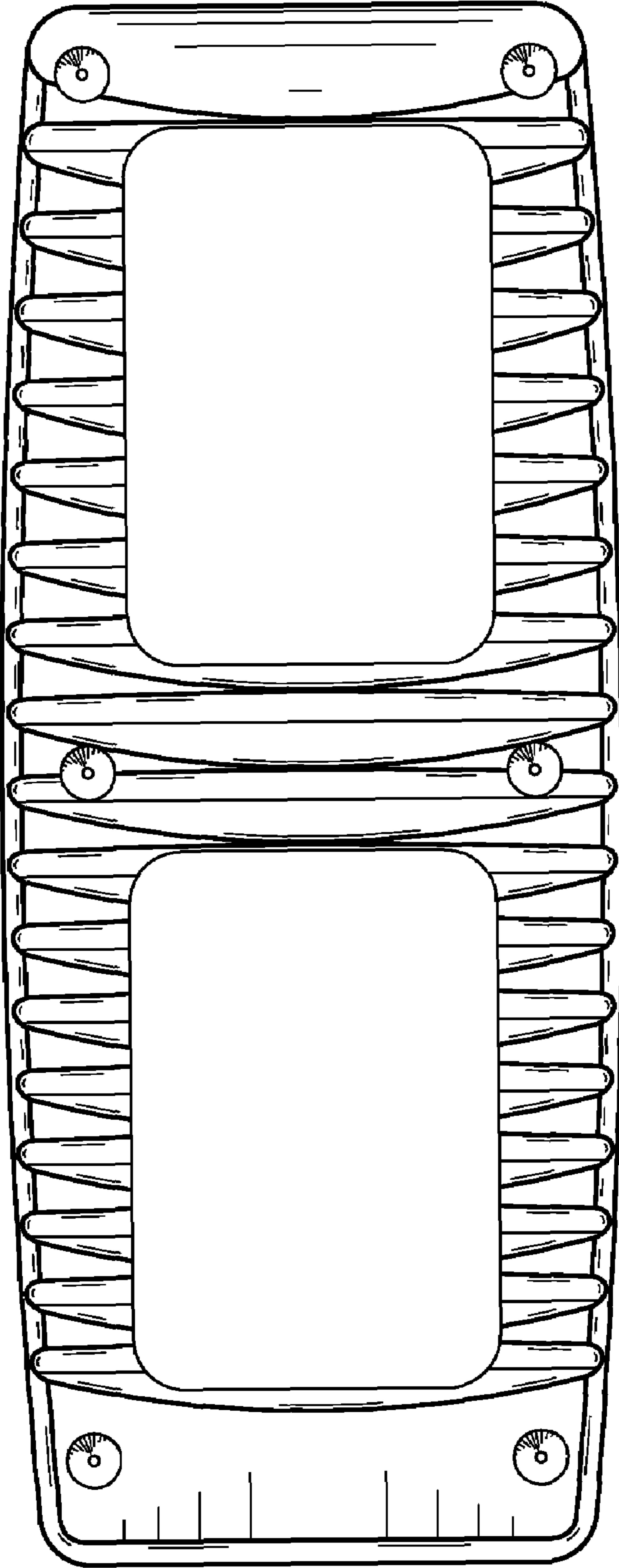


FIG. 2

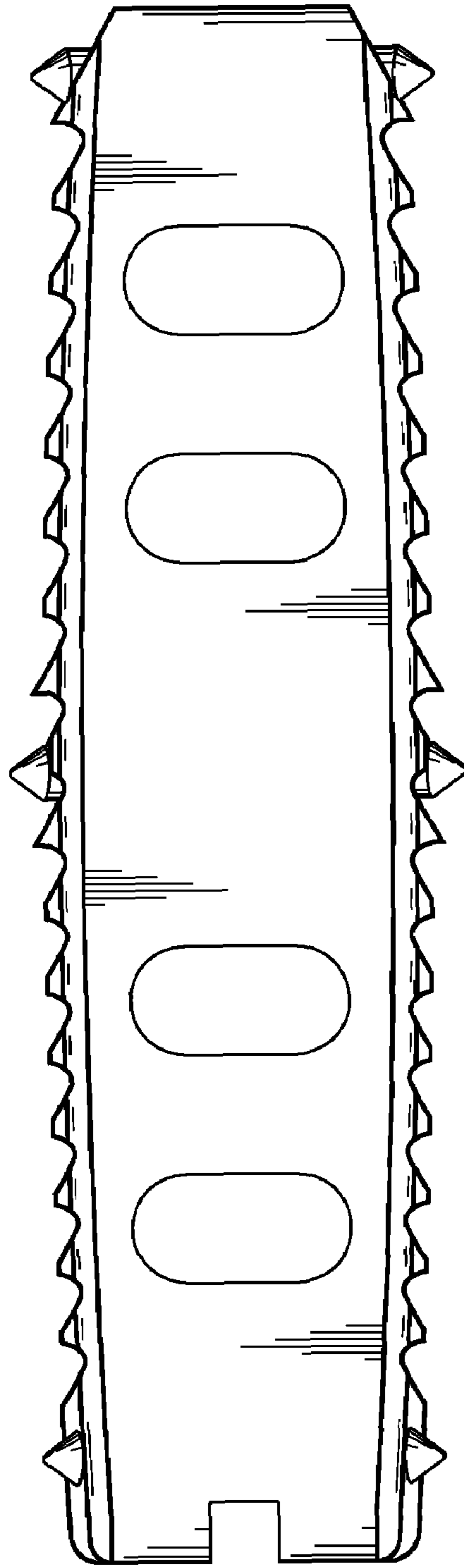


FIG. 3

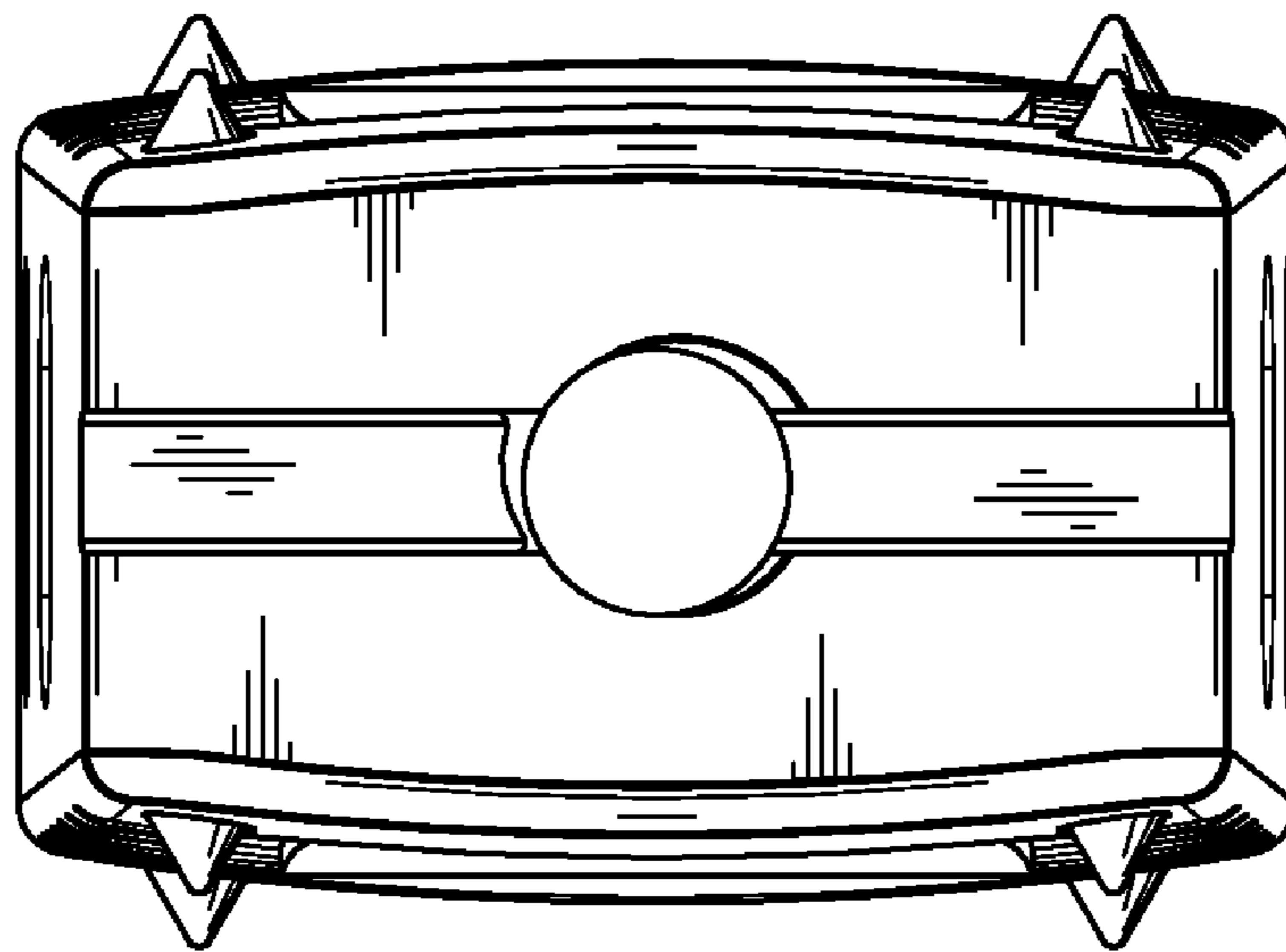


FIG. 4