



US00D594981S

(12) **United States Design Patent**
Bierman et al.

(10) **Patent No.:** **US D594,981 S**
(45) **Date of Patent:** **** Jun. 23, 2009**

(54) **NEEDLE HUB**

(75) Inventors: **Steven F. Bierman**, Del Mar, CA (US);
Richard A. Pluth, San Diego, CA (US)

(73) Assignee: **Access Scientific, Inc.**, San Diego, CA (US)

(**) Term: **14 Years**

(21) Appl. No.: **29/305,198**

(22) Filed: **Mar. 14, 2008**

(51) **LOC (9) Cl.** **24-02**

(52) **U.S. Cl.** **D24/130**

(58) **Field of Classification Search** D24/112,
D24/130, 129; 604/533, 164.11, 174, 905,
604/177, 164.03–164.04, 164.07, 165.03;
128/912

See application file for complete search history.

(56) **References Cited**

U.S. PATENT DOCUMENTS

- 3,565,074 A 2/1971 Foti et al.
- 3,995,628 A 12/1976 Gula et al.
- 4,068,659 A 1/1978 Moorehead
- 4,205,675 A 6/1980 Vaillancourt
- 4,411,655 A 10/1983 Schreck
- 4,417,886 A 11/1983 Frankhouser et al.
- 4,525,157 A 6/1985 Vaillancourt
- 4,581,019 A 4/1986 Curelaru et al.
- 4,629,450 A 12/1986 Suzuki et al.
- 4,655,750 A 4/1987 Vaillancourt
- 4,772,264 A 9/1988 Cragg
- 4,850,975 A 7/1989 Furukawa
- 4,894,052 A 1/1990 Crawford
- 4,944,728 A 7/1990 Carrell
- 4,955,890 A 9/1990 Yamamoto et al.
- 4,961,729 A 10/1990 Vaillancourt
- 4,978,334 A 12/1990 Toyé et al.
- 4,995,866 A 2/1991 Amplatz et al.
- 5,066,284 A 11/1991 Mersch et al.
- 5,098,392 A * 3/1992 Fleischhacker et al. 604/164.05
- 5,114,401 A 5/1992 Stuart et al.

- 5,158,544 A 10/1992 Weinstein
- 5,171,218 A 12/1992 Fonger et al.
- D334,233 S * 3/1993 Schaechter D24/112
- 5,242,410 A 9/1993 Melker

(Continued)

FOREIGN PATENT DOCUMENTS

EP 0139091 7/1984

(Continued)

OTHER PUBLICATIONS

Arrow Trauma Products No. TRM-C 12/00 11M, Arrow International.

(Continued)

Primary Examiner—T. Chase Nelson
Assistant Examiner—Eric L Goodman
(74) *Attorney, Agent, or Firm*—Knobbe, Martens, Olson & Bear LLP

(57) **CLAIM**

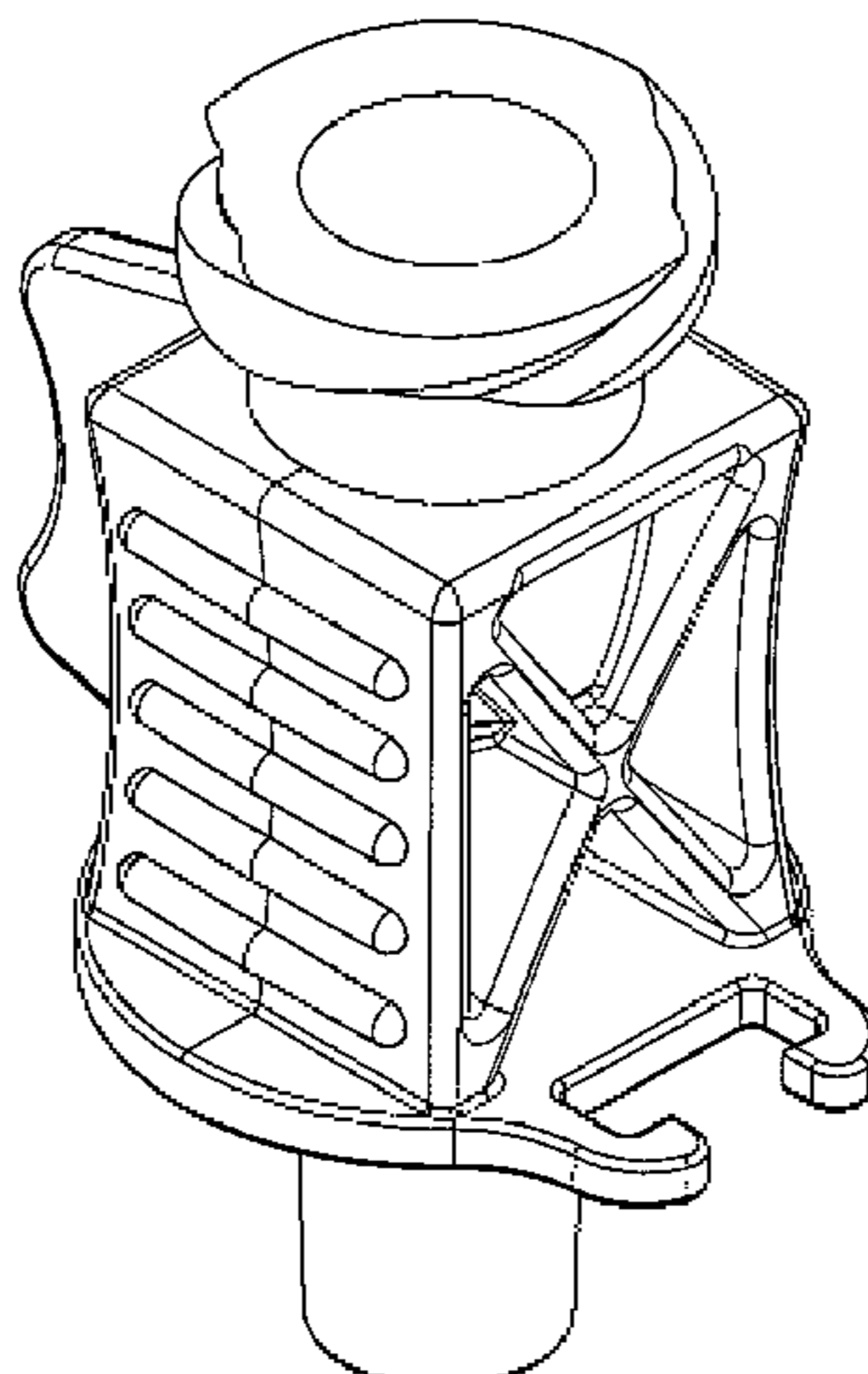
The ornamental design for a needle hub, as shown and described.

DESCRIPTION

FIG. 1 is a back side perspective view of a needle hub configured in accordance with a preferred embodiment of the present invention;
FIG. 2 is a front side perspective view thereof;
FIG. 3 is a top view thereof;
FIG. 4 is a bottom view thereof;
FIG. 5 is a first side view thereof;
FIG. 6 is a second side view thereof;
FIG. 7 is a first end view thereof; and,
FIG. 8 is a second end view thereof.

Phantom lining, where utilized, is for illustrative purposes only and does not limit or form any part of the claimed design.

1 Claim, 3 Drawing Sheets



US D594,981 S

Page 2

U.S. PATENT DOCUMENTS

5,246,426 A 9/1993 Lewis et al.
5,250,038 A 10/1993 Melker et al.
5,295,969 A 3/1994 Fischell
5,295,970 A 3/1994 Clinton et al.
5,306,253 A 4/1994 Brimhall
5,312,355 A 5/1994 Lee
5,328,480 A 7/1994 Melker et al.
5,330,433 A 7/1994 Fonger et al.
5,366,441 A 11/1994 Crawford
5,380,290 A 1/1995 Makower et al.
5,512,052 A 4/1996 Jesch
D380,045 S * 6/1997 Sullivan D24/130
5,676,689 A 10/1997 Kensey et al.
5,704,914 A 1/1998 Stocking et al.
5,728,132 A 3/1998 Van Tassel et al.
5,810,780 A 9/1998 Brimhall et al.
5,827,202 A 10/1998 Miraki et al.
D401,689 S * 11/1998 Sullivan D24/130
5,830,190 A 11/1998 Howell
5,833,662 A 11/1998 Stevens
5,885,217 A 3/1999 Gisselberg et al.
5,904,657 A 5/1999 Unsworth et al.
5,919,160 A 7/1999 Sanfilippo
6,074,377 A 6/2000 Sanfilippo
6,120,494 A 9/2000 Jonkman
6,179,813 B1 1/2001 Ballow et al.
6,210,366 B1 4/2001 Sanfilippo
6,277,100 B1 8/2001 Raulerson
D452,313 S * 12/2001 Niermann D24/112
D458,678 S * 6/2002 Cindrich D24/130
6,436,070 B1 8/2002 Botich et al.
6,461,362 B1 10/2002 Halseth et al.

6,475,207 B1 11/2002 Maginot
6,488,662 B2 12/2002 Sirimanne
6,500,152 B1 12/2002 Illi
6,524,277 B1 2/2003 Chang
6,607,511 B2 8/2003 Halseth et al.
6,641,564 B1 11/2003 Kraus
D483,121 S * 12/2003 Drewes et al. D24/130
6,692,462 B2 2/2004 Mackenzie et al.
6,692,482 B2 2/2004 Heller et al.
6,726,659 B1 4/2004 Stocking et al.
D494,677 S * 8/2004 Garvin D24/130
6,808,520 B1 10/2004 Fourkas
6,836,687 B2 12/2004 Kelley
D506,548 S * 6/2005 Andrews et al. D24/130
6,905,481 B2 6/2005 Sirimanne
7,025,746 B2 4/2006 Tal
2002/0072712 A1 6/2002 Nool et al.
2003/0032927 A1 2/2003 Halseth et al.
2004/0092879 A1 5/2004 Kraus et al.
2004/0171988 A1 9/2004 Moretti

FOREIGN PATENT DOCUMENTS

EP 0502714 11/1995
WO WO/2003/057272 7/2003
WO WO/2007/046850 4/2007

OTHER PUBLICATIONS

International Search Report for PCT Application No. PCT/US/2006/011624, mailed Oct. 17, 2007.
International Search Report for PCT Application No. PCT/US/2002/041371, mailed Oct. 2, 2003.

* cited by examiner

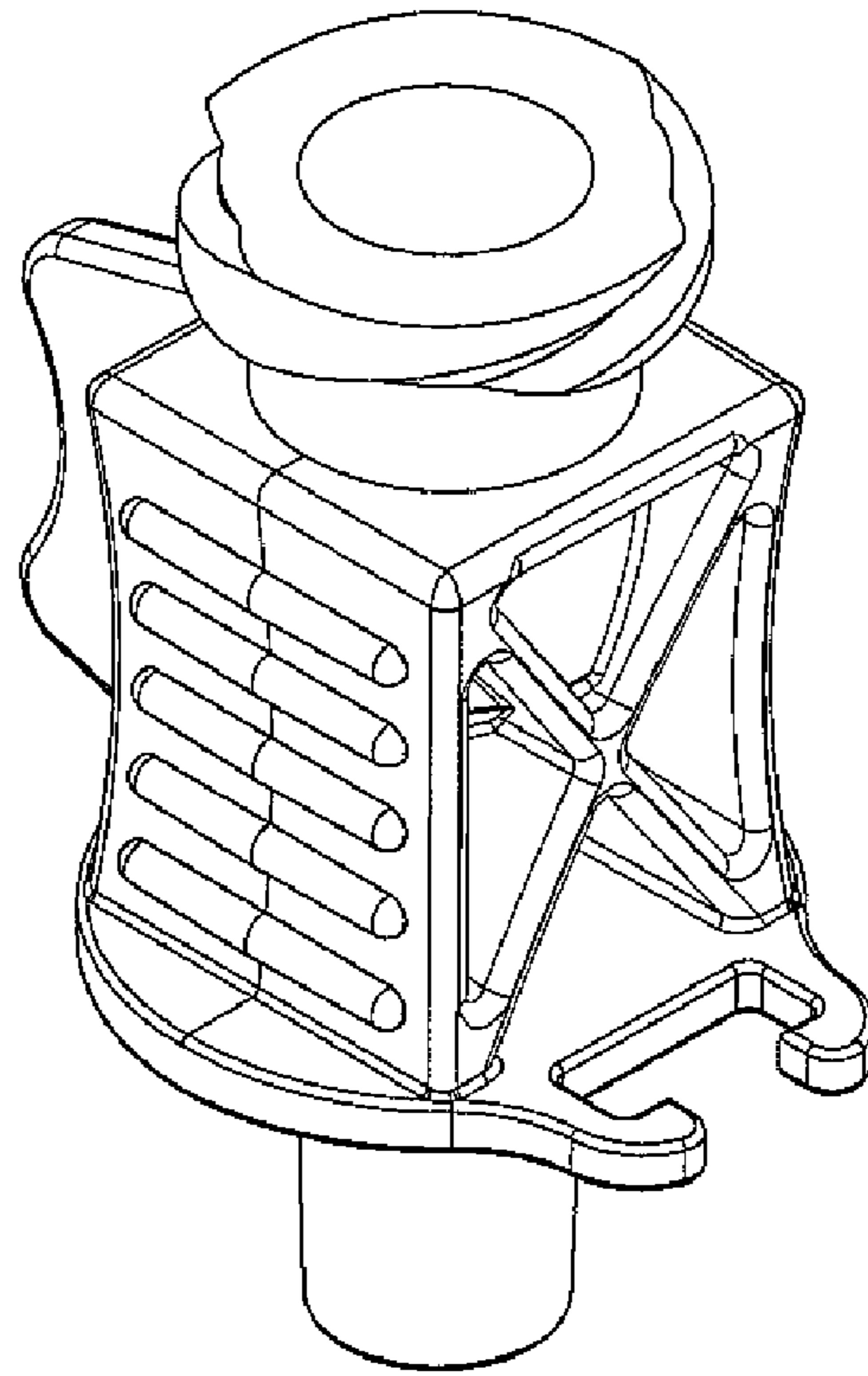


FIG. 1

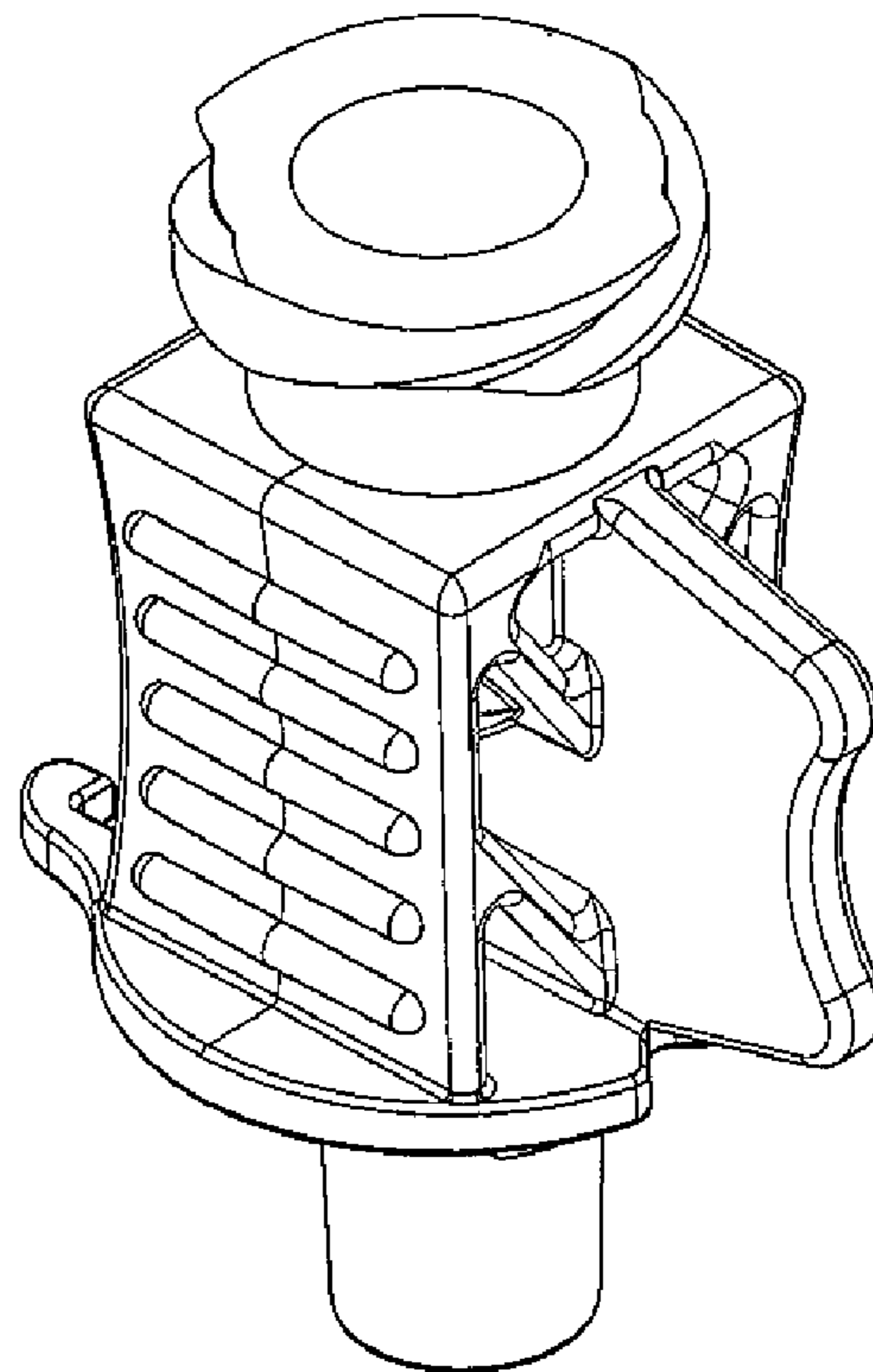


FIG. 2

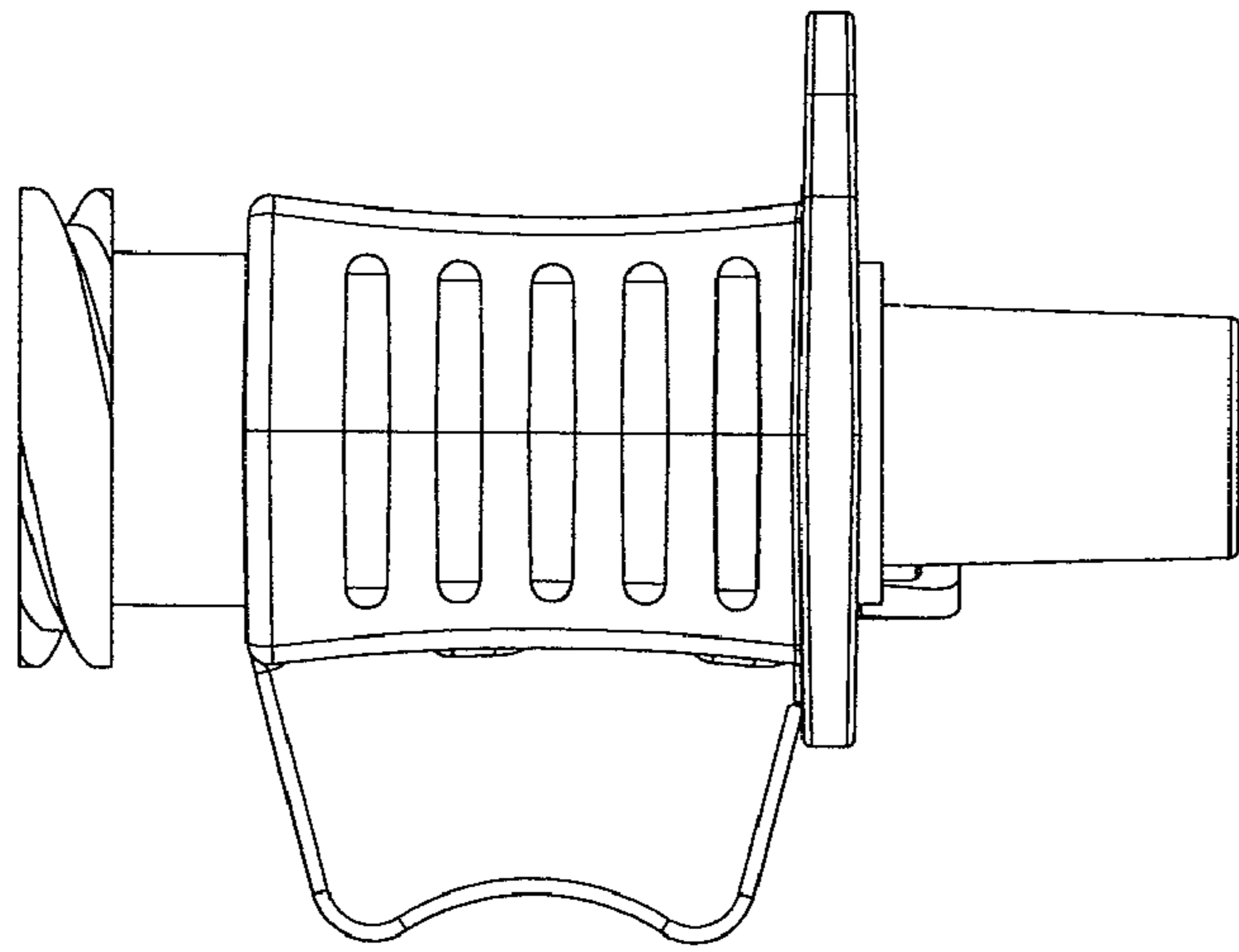


FIG. 6

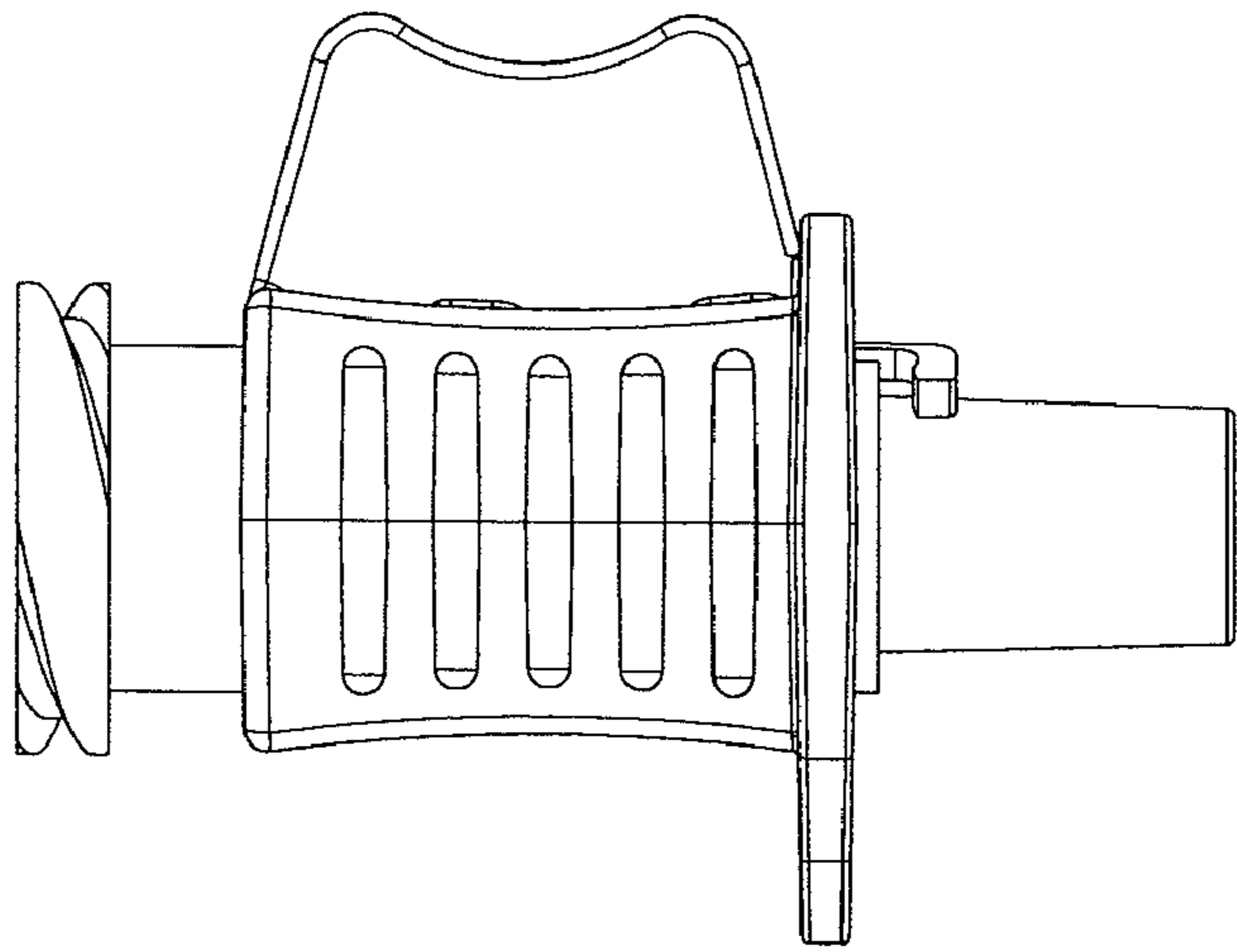


FIG. 5

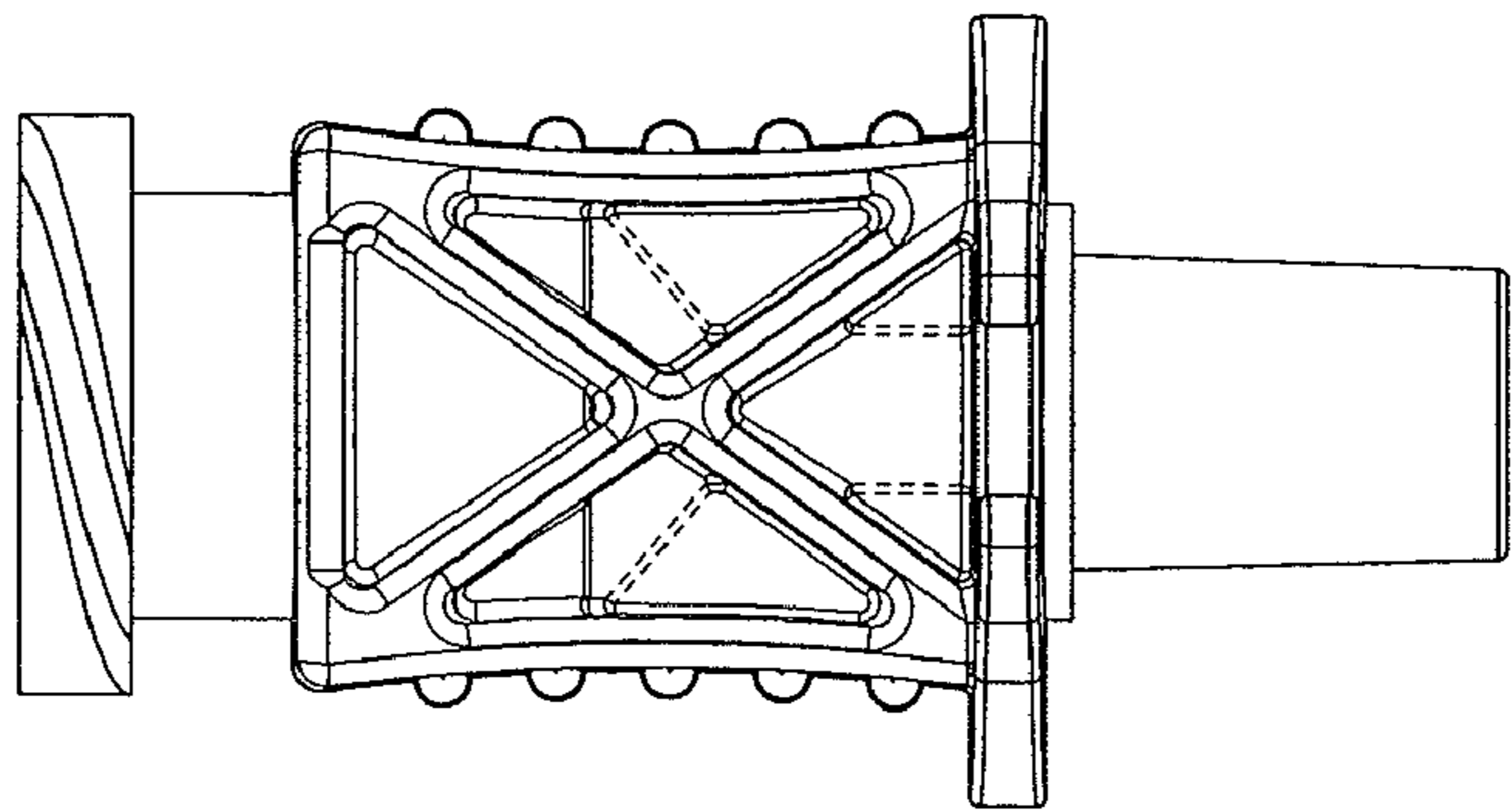


FIG. 4

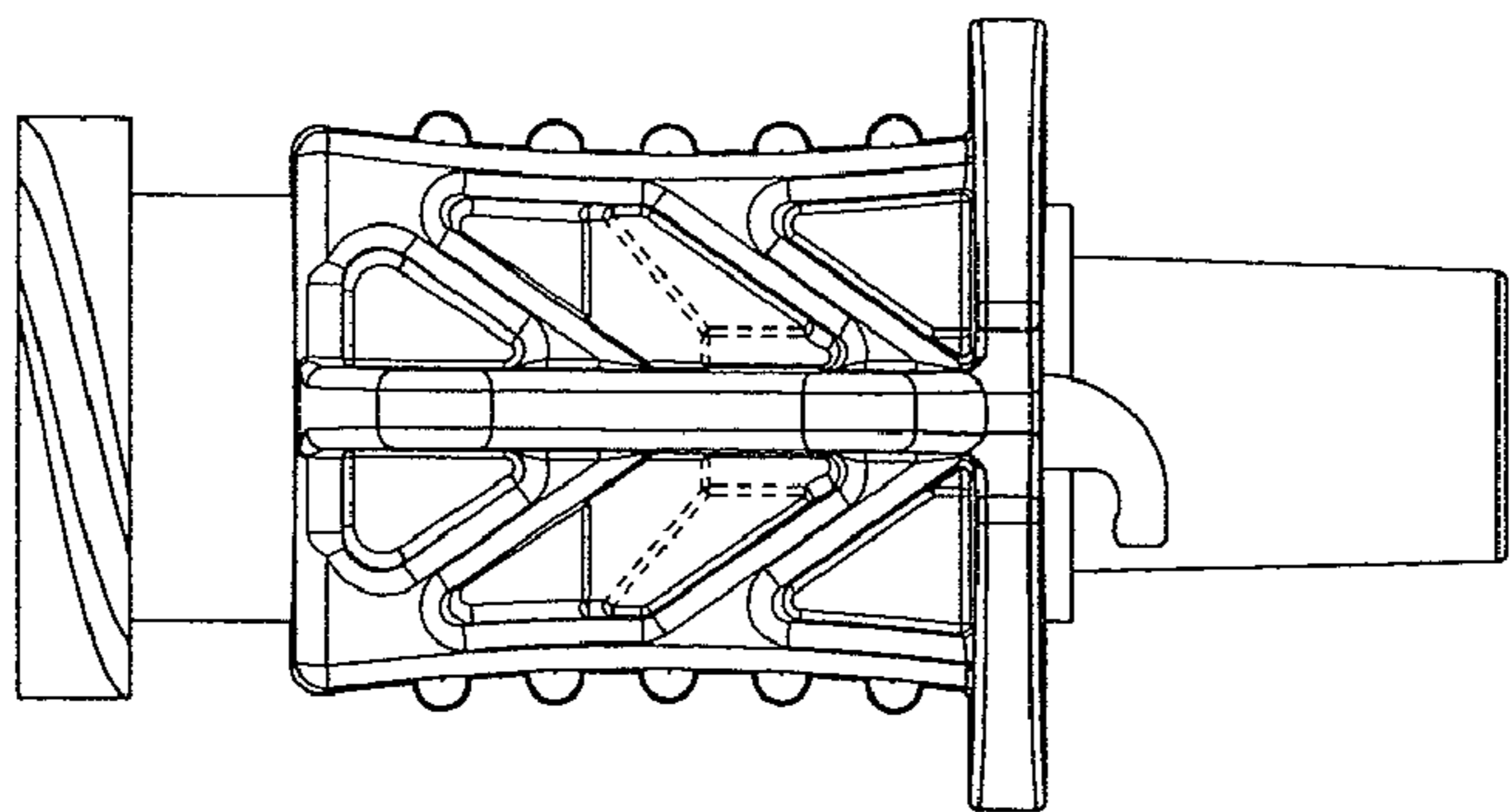


FIG. 3

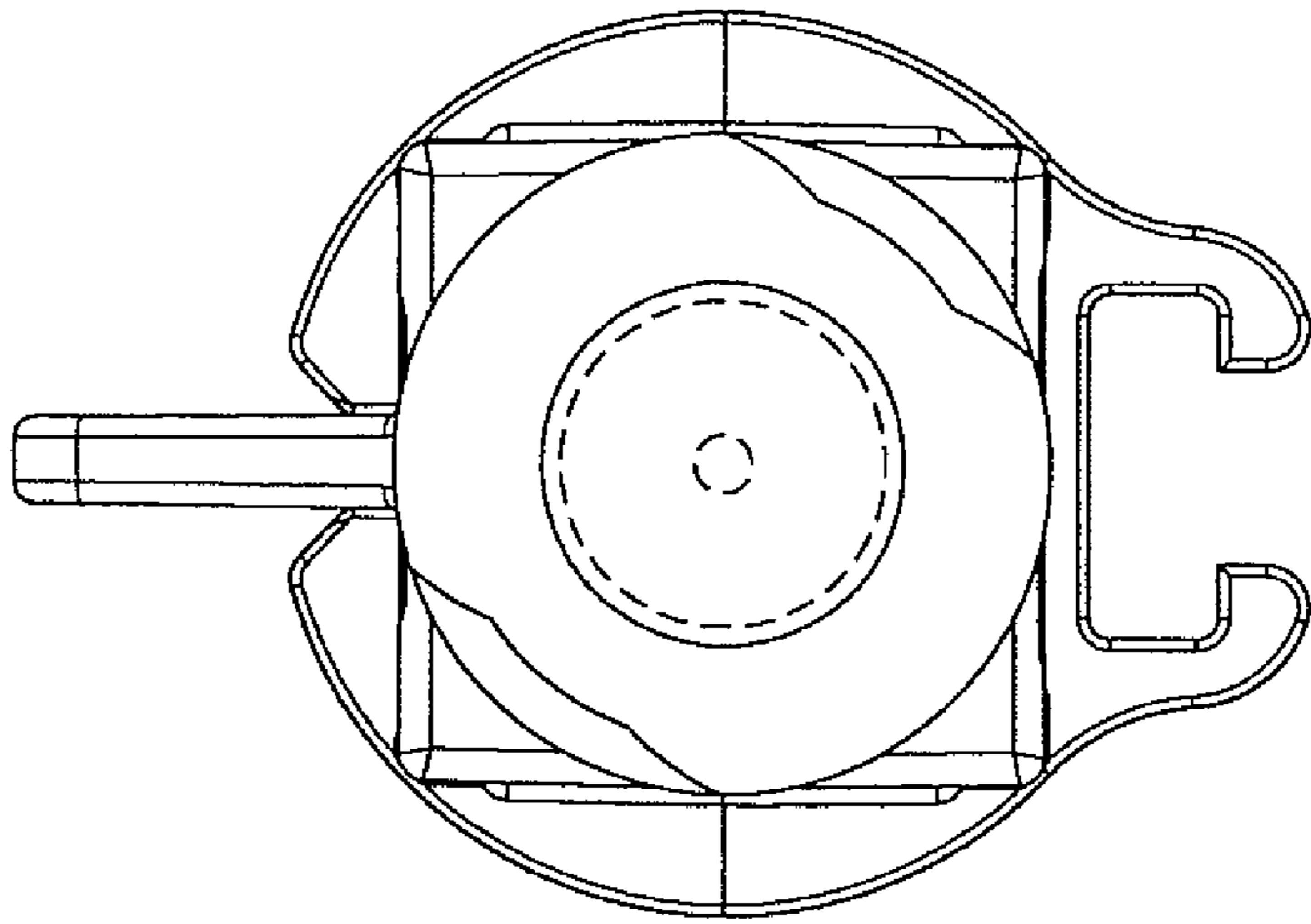


FIG. 7

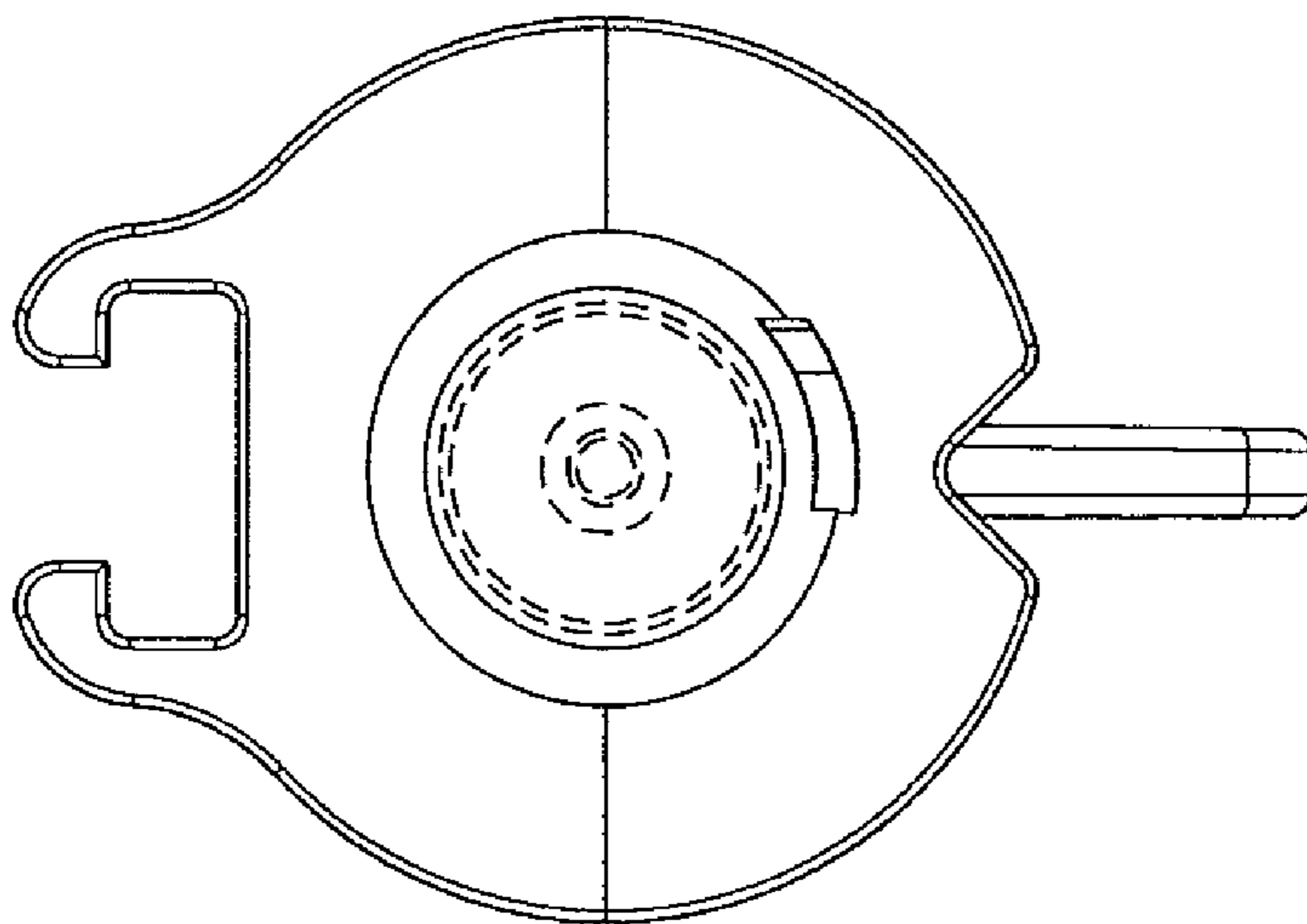


FIG. 8