



US00D594969S

(12) **United States Design Patent**
Marquis et al.

(10) **Patent No.:** **US D594,969 S**
(45) **Date of Patent:** **** Jun. 23, 2009**

(54) **MOUTHPIECE**

(75) Inventors: **Paul R. Marquis**, Litchfield, NH (US);
Benjamin Wallace Jones, Jr., Bedford, NH (US)

(73) Assignee: **Deka Products Limited Partnership**,
Manchester, NH (US)

(**) Term: **14 Years**

(21) Appl. No.: **29/292,959**

(22) Filed: **Nov. 2, 2007**

(51) **LOC (9) Cl.** **29-02**

(52) **U.S. Cl.** **D24/110.5**; D24/110

(58) **Field of Classification Search** D24/110,
D24/110.5, 110.6; 128/859, 206.28, 206.24,
128/207.11, 207.13, 207.18, 201.23, 201.26,
128/202.27; 600/532, 543

See application file for complete search history.

(56) **References Cited**

U.S. PATENT DOCUMENTS

D479,876 S * 9/2003 Gradon et al. D24/110.5
D504,947 S * 5/2005 McAuley et al. D24/110.5
D581,041 S * 11/2008 Moore et al. D24/110.1

* cited by examiner

Primary Examiner—Ian Simmons
Assistant Examiner—Christopher Lee

(74) *Attorney, Agent, or Firm*—Pierce Atwood LLP; Kevin M. Farrell; Katherine A. Wrobel

(57) **CLAIM**

The ornamental design for a mouthpiece, as shown and described.

DESCRIPTION

FIG. 1 is a rear perspective view of a first embodiment of the mouthpiece;

FIG. 2 is a front perspective view thereof;

FIG. 3 is a top view thereof, the bottom view thereof being identical;

FIG. 4 is a left side view thereof, the right side view thereof being identical;

FIG. 5 is a rear view thereof; and

FIG. 6 is a front view thereof;

FIG. 7 is a rear perspective view of a second embodiment of the mouthpiece;

FIG. 8 is a front perspective view thereof;

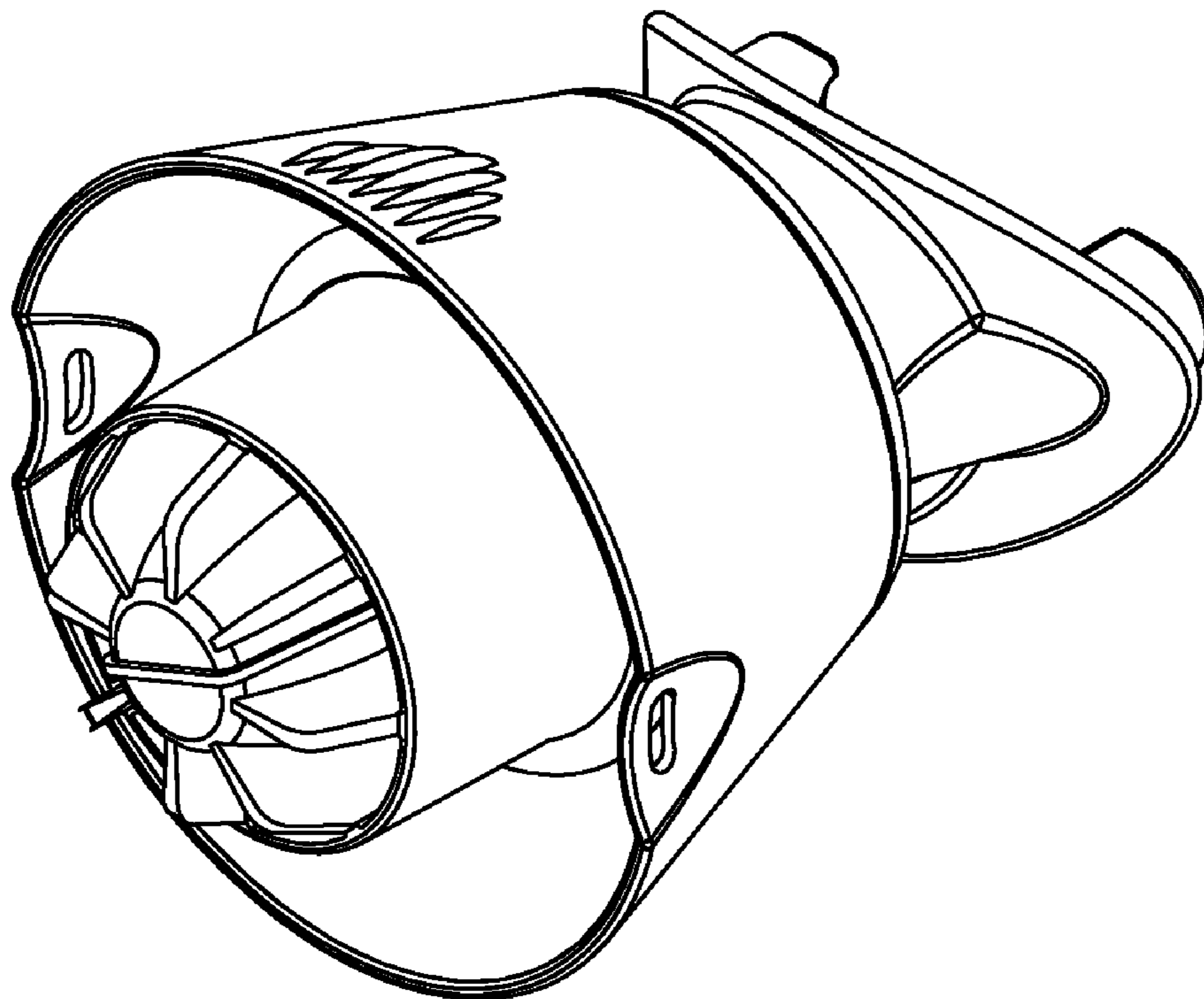
FIG. 9 is a top view thereof, the bottom view thereof being identical;

FIG. 10 is a left side view thereof, the right side view thereof being identical;

FIG. 11 is a rear view thereof; and,

FIG. 12 is a front view thereof.

1 Claim, 12 Drawing Sheets



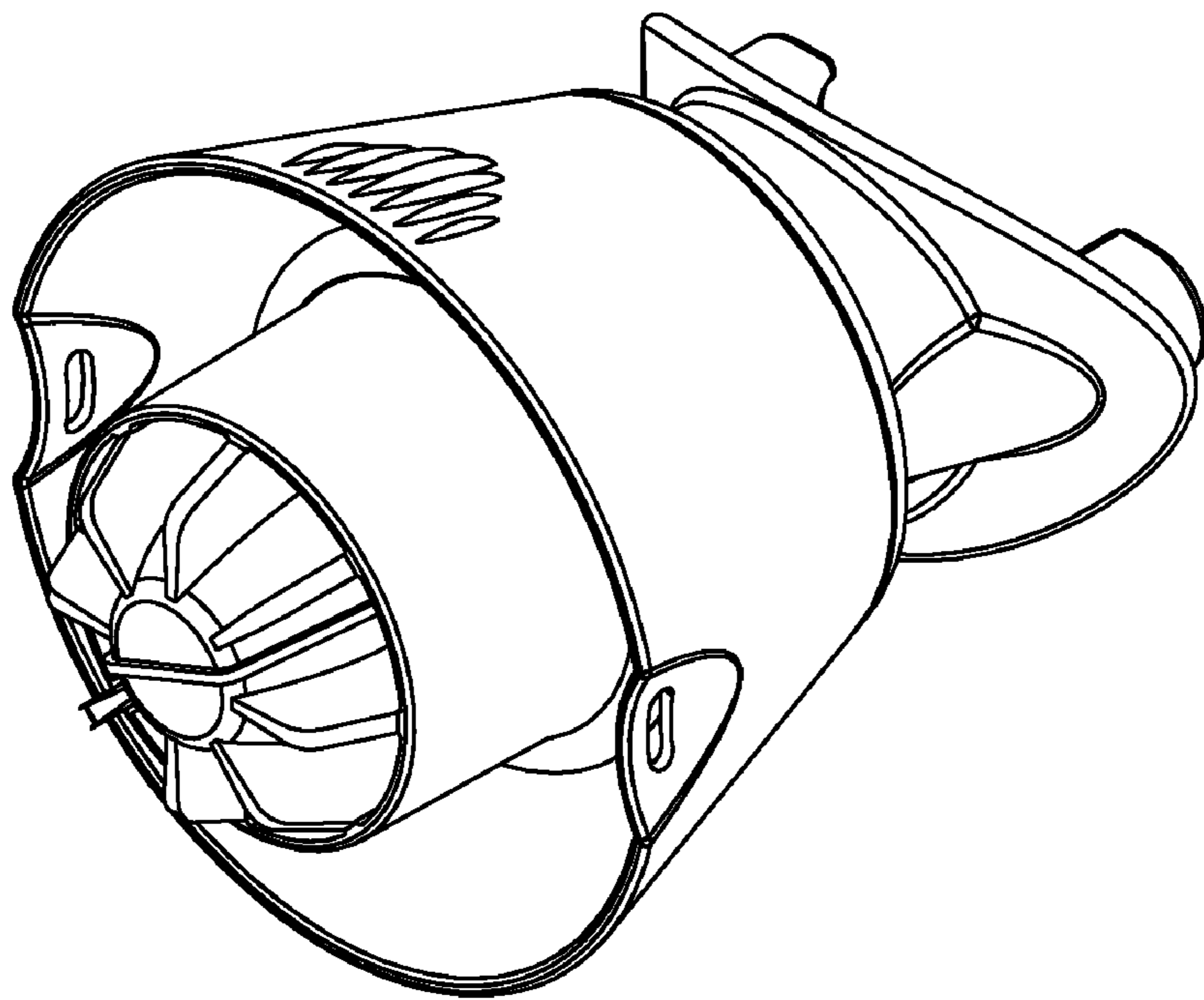


FIG. 1

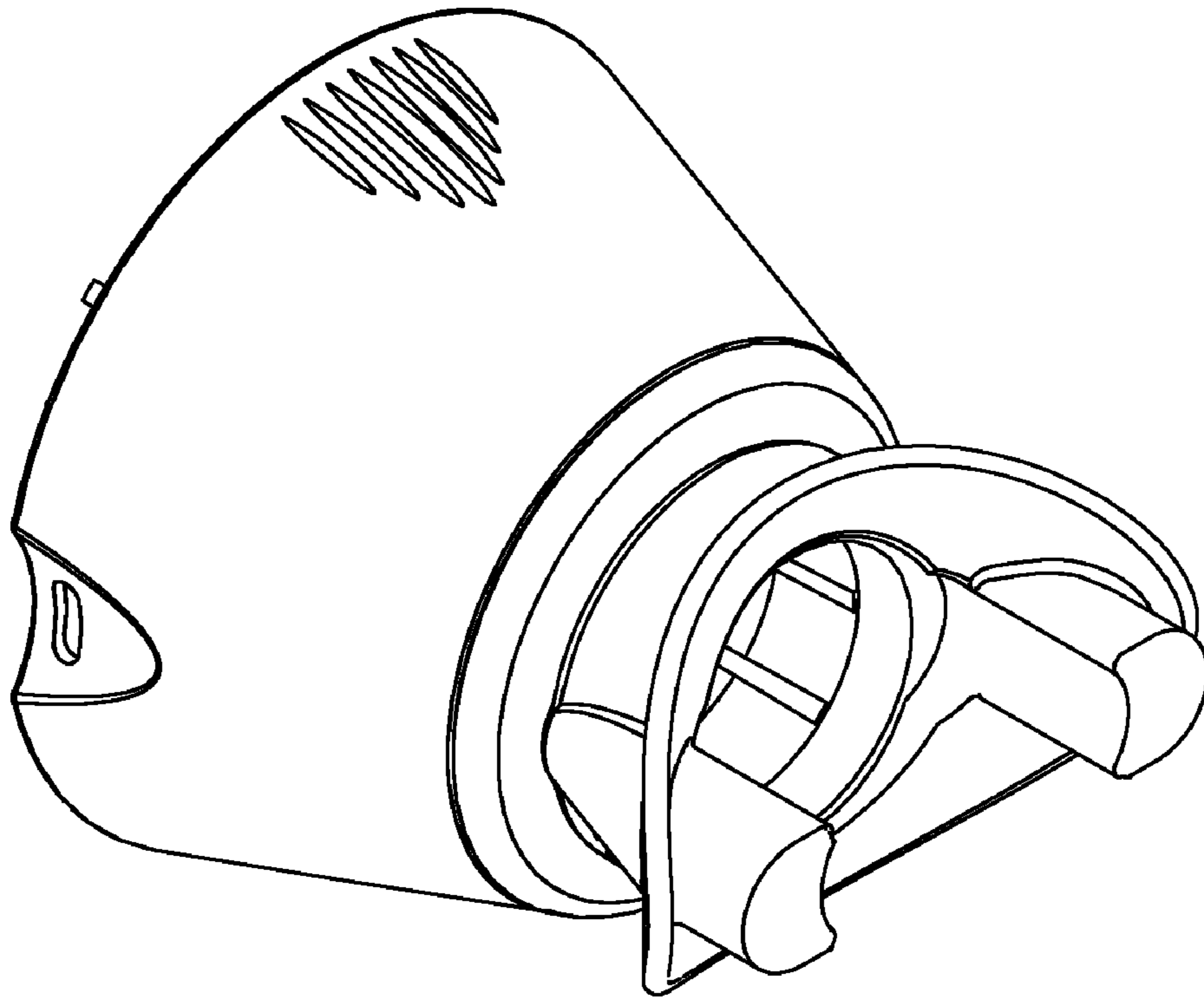


FIG. 2

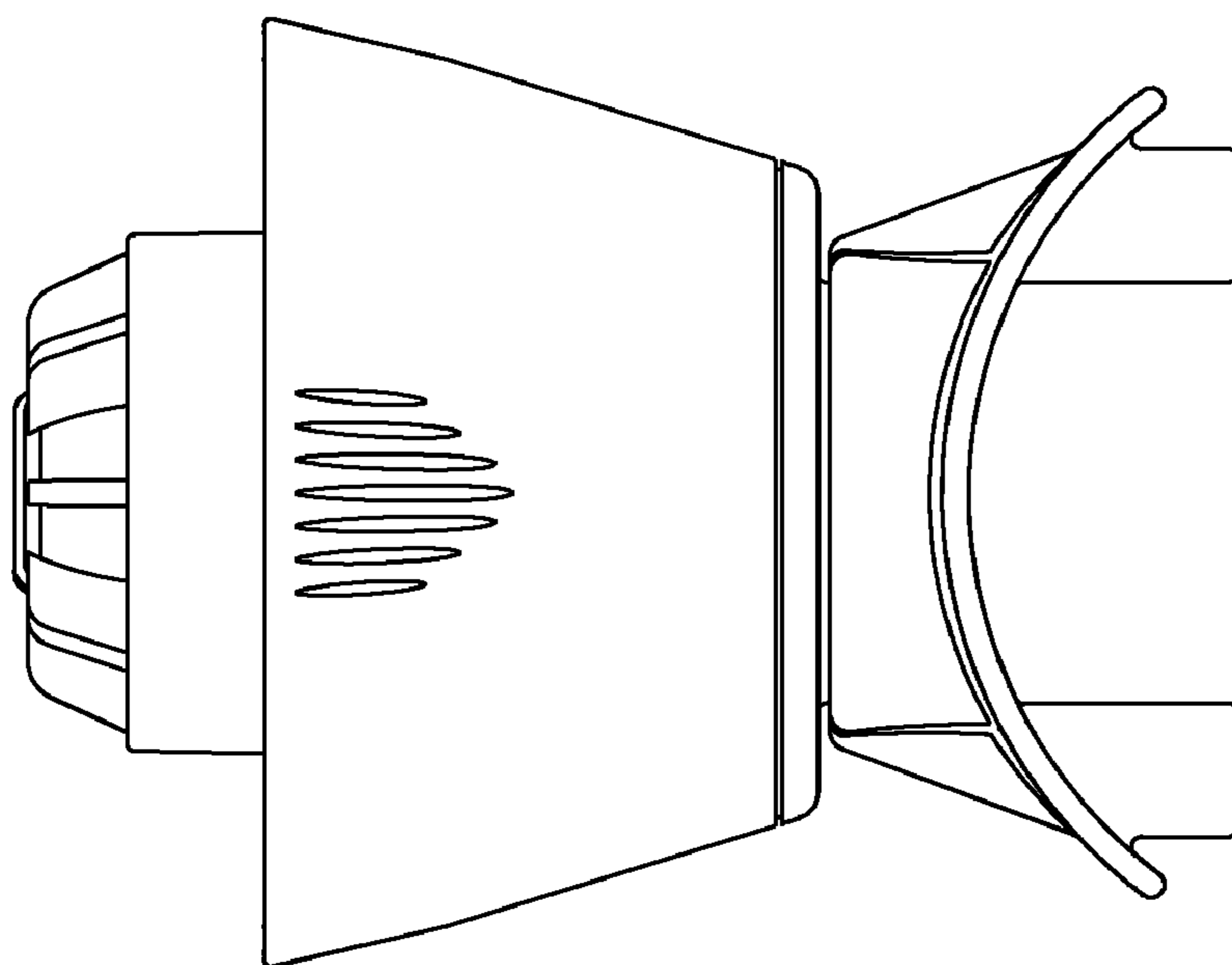


FIG. 3

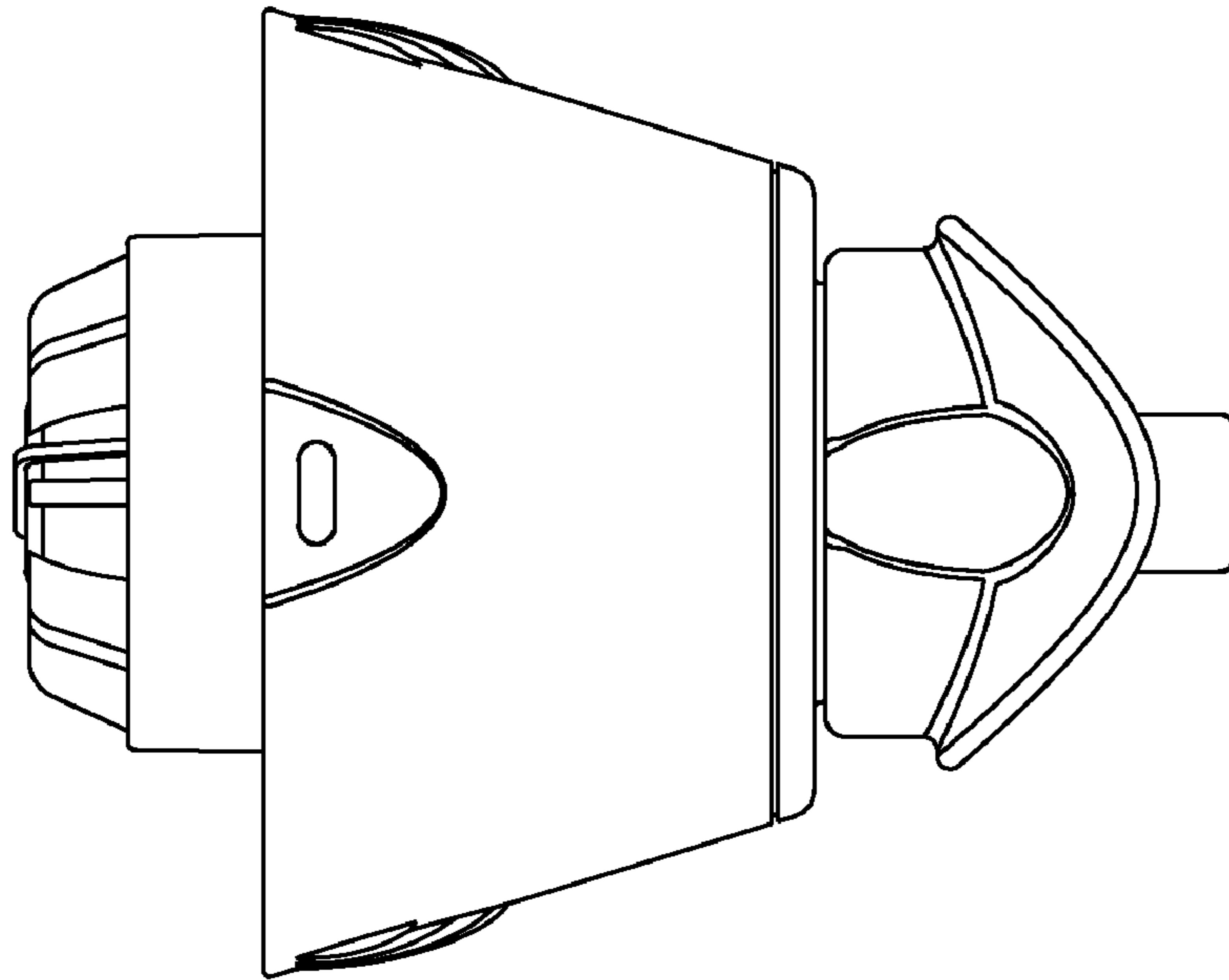


FIG. 4

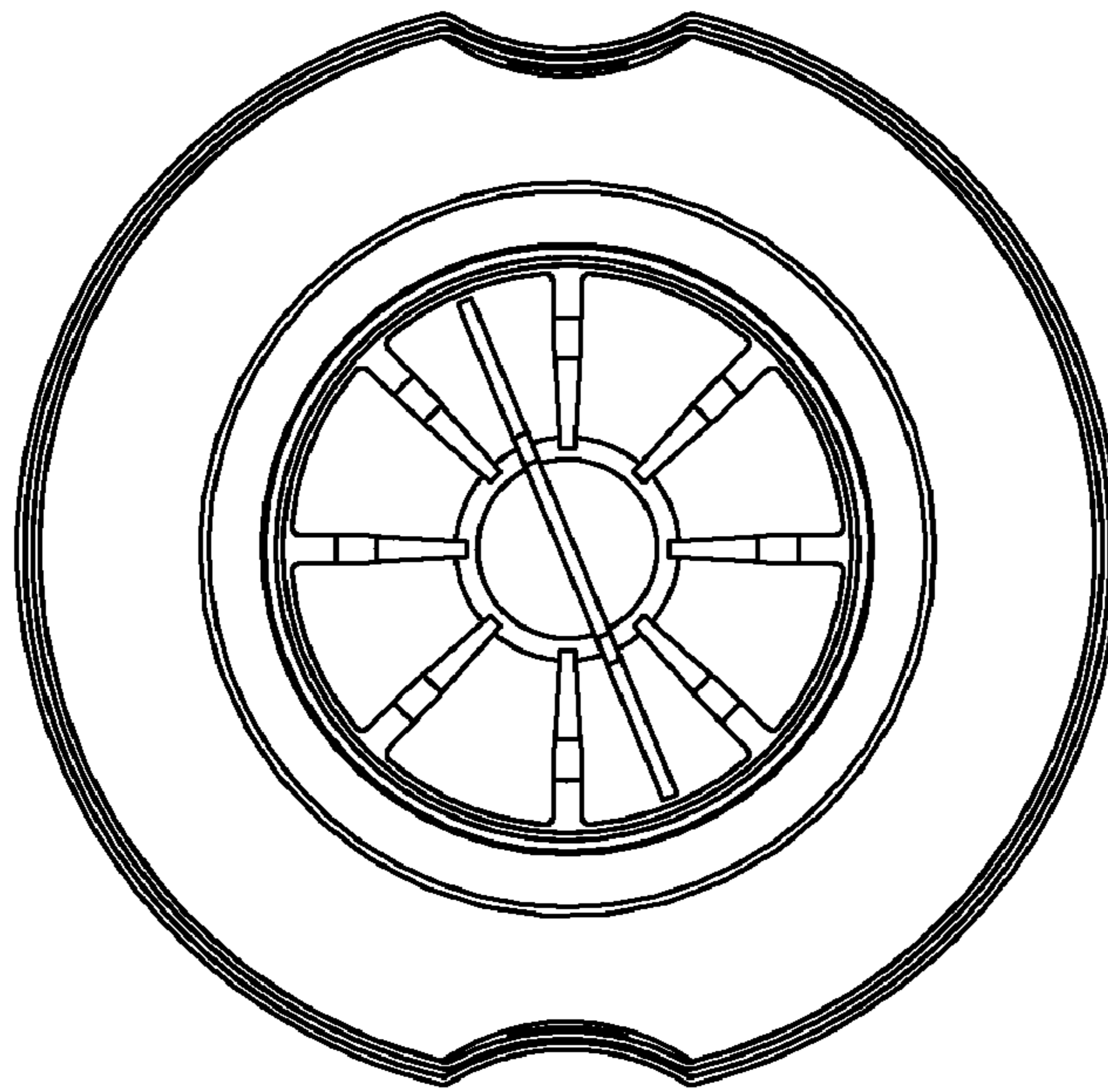


FIG. 5

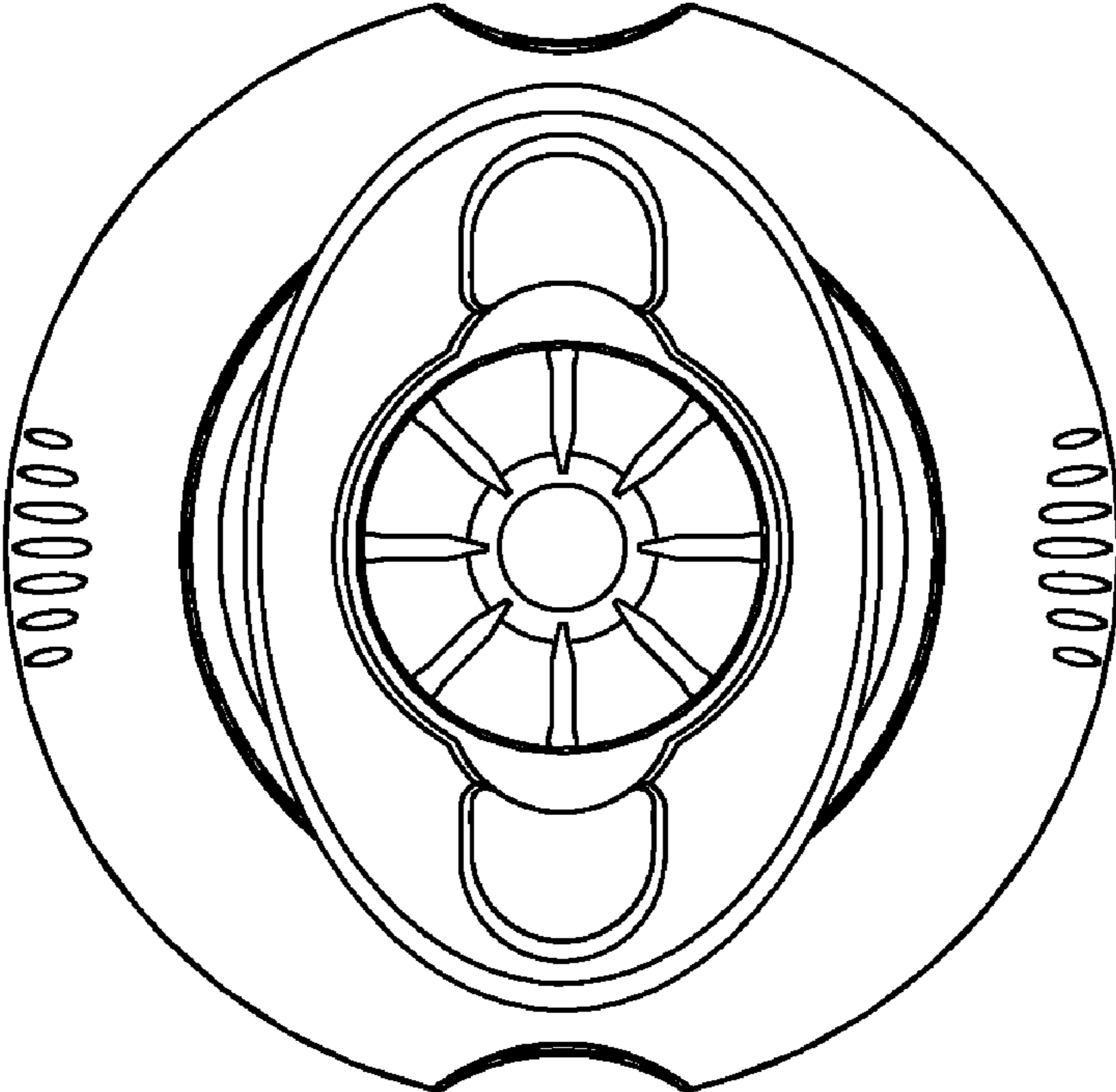


FIG. 6

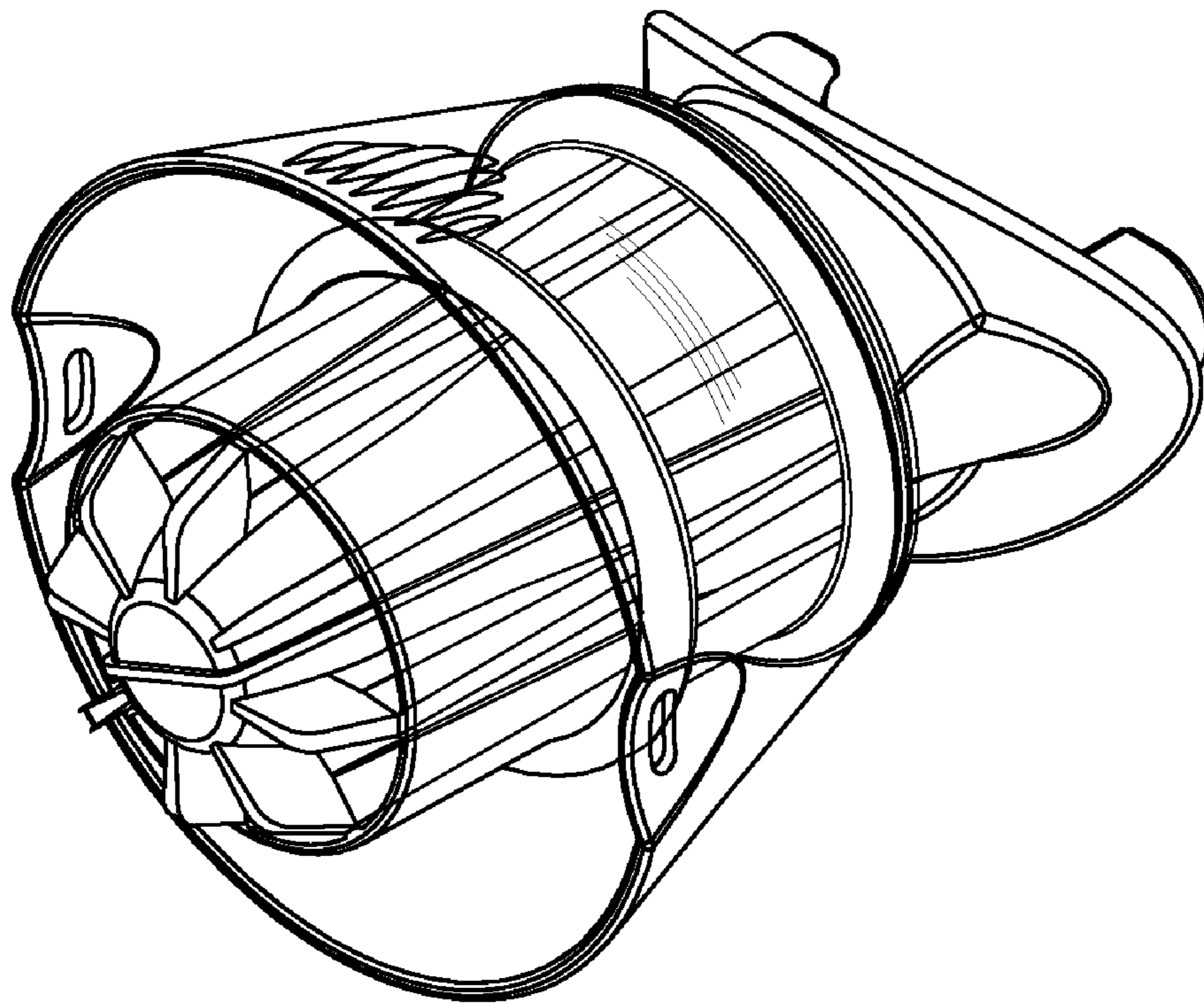


FIG. 7

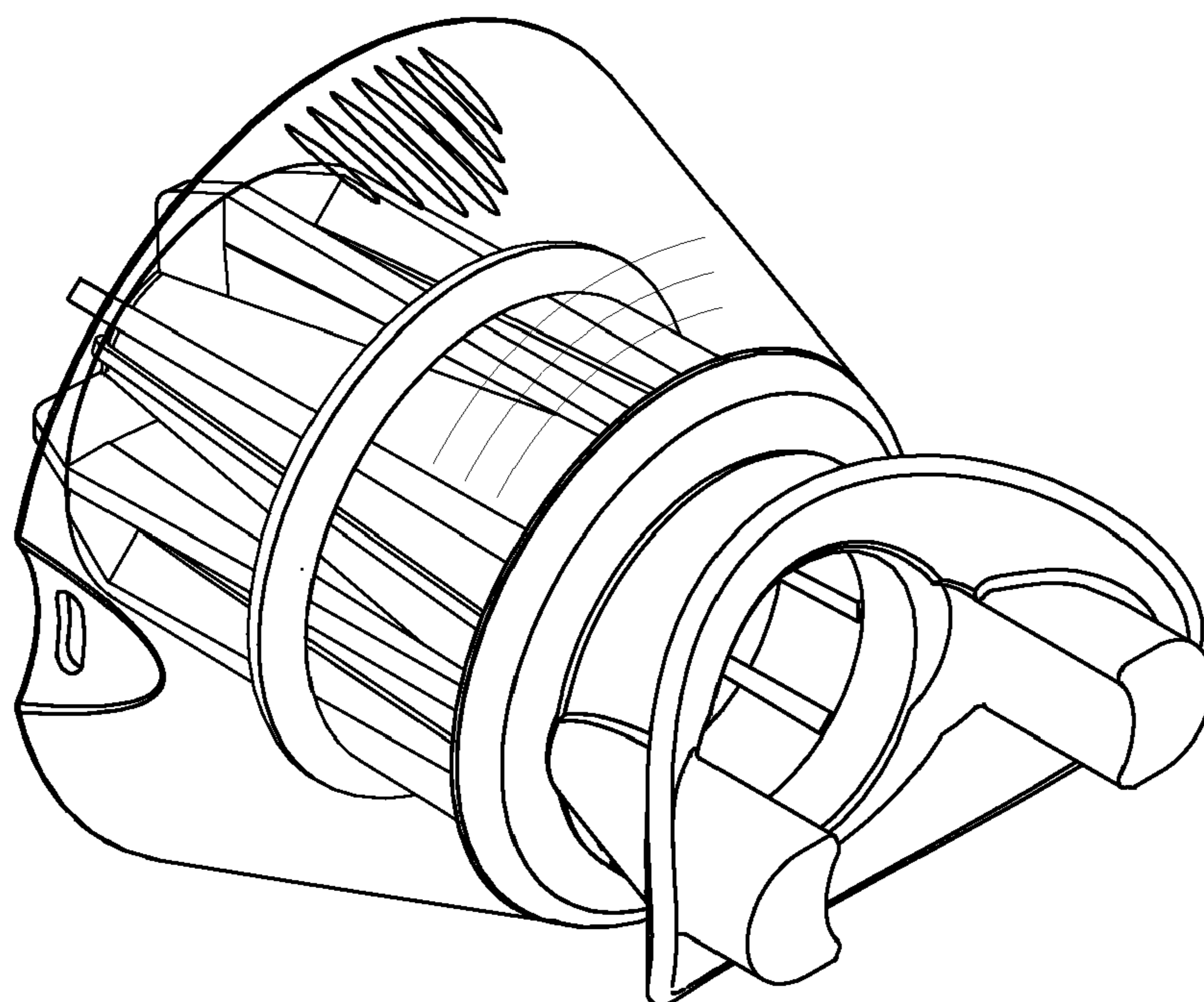


FIG. 8

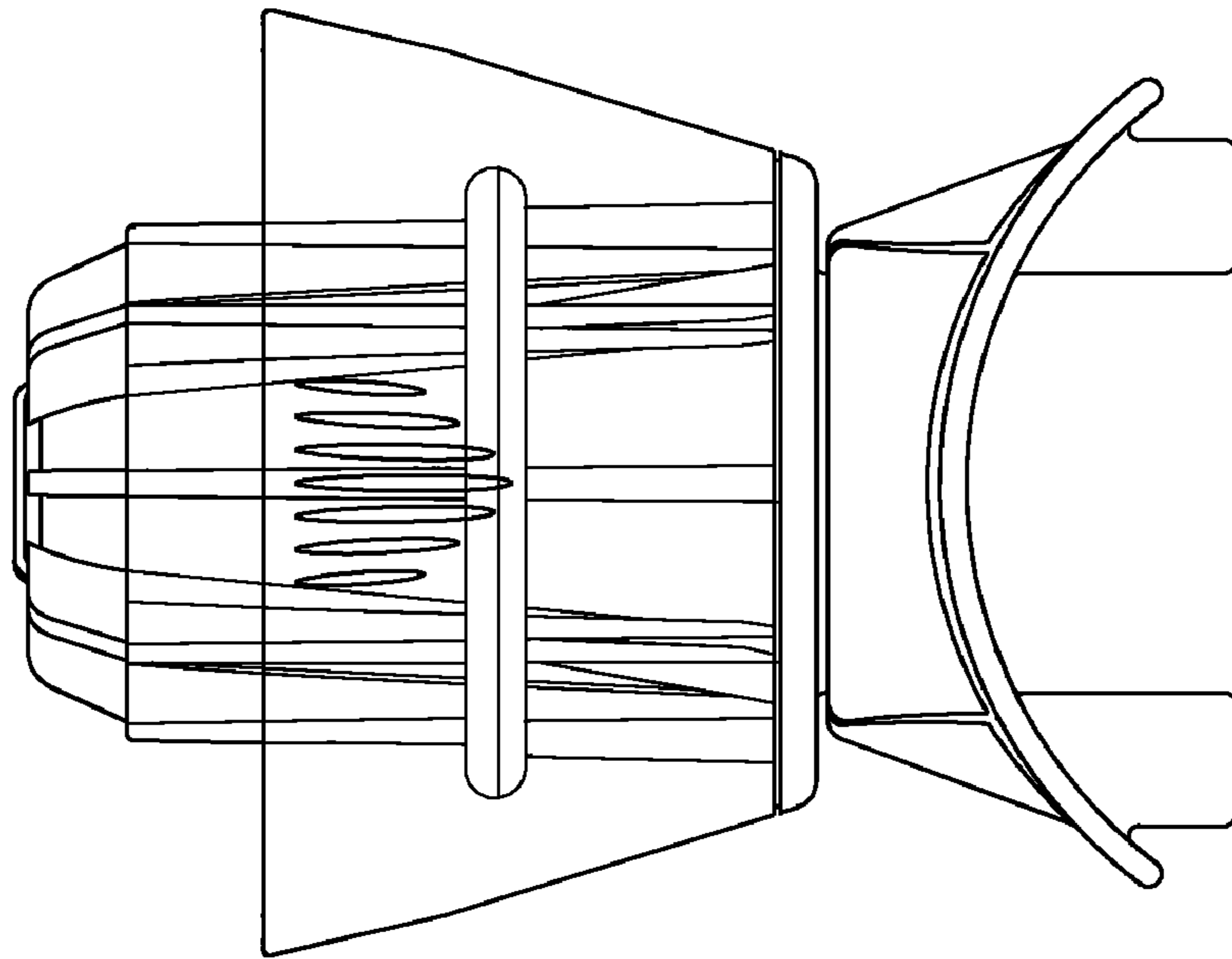


FIG. 9

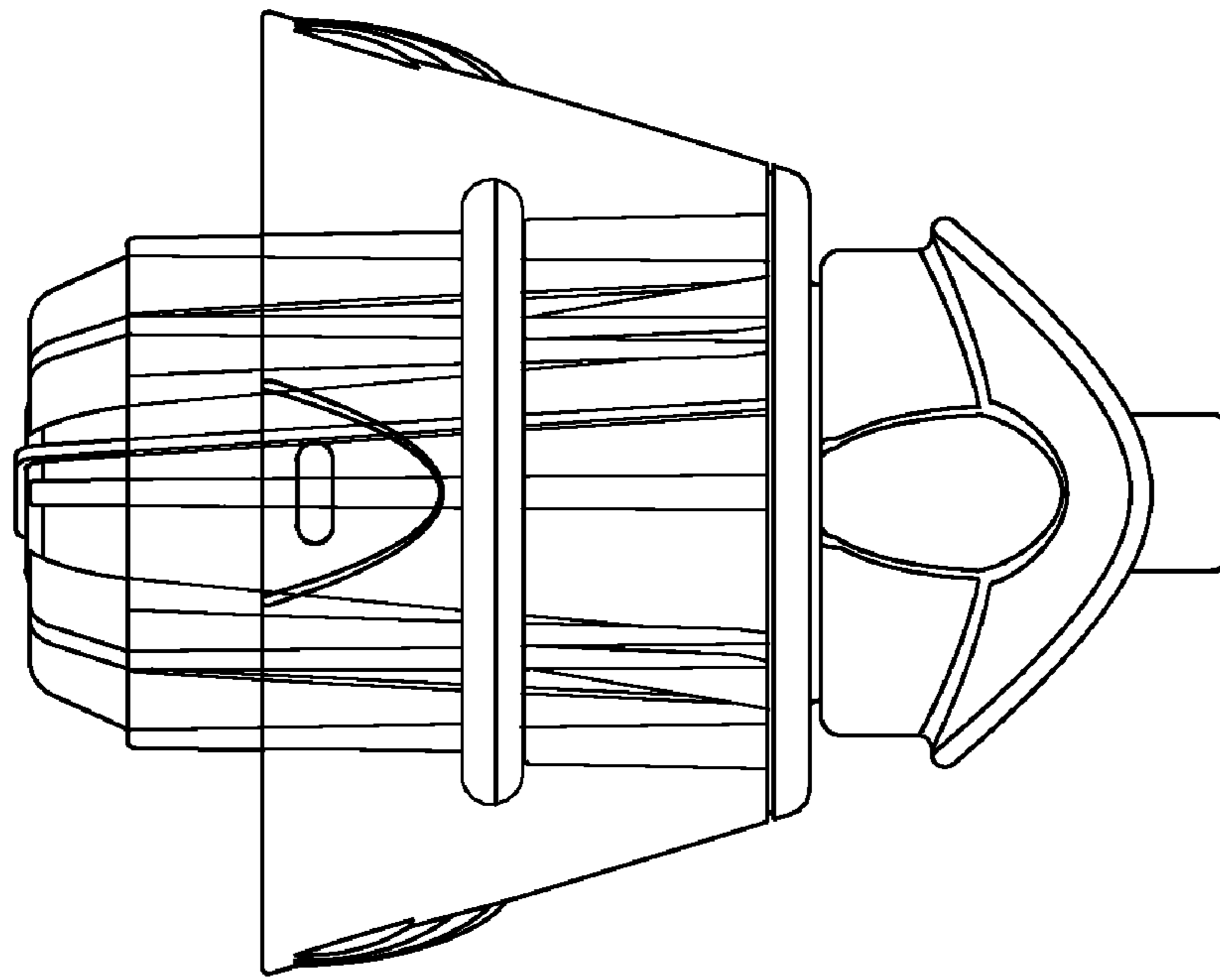


FIG. 10

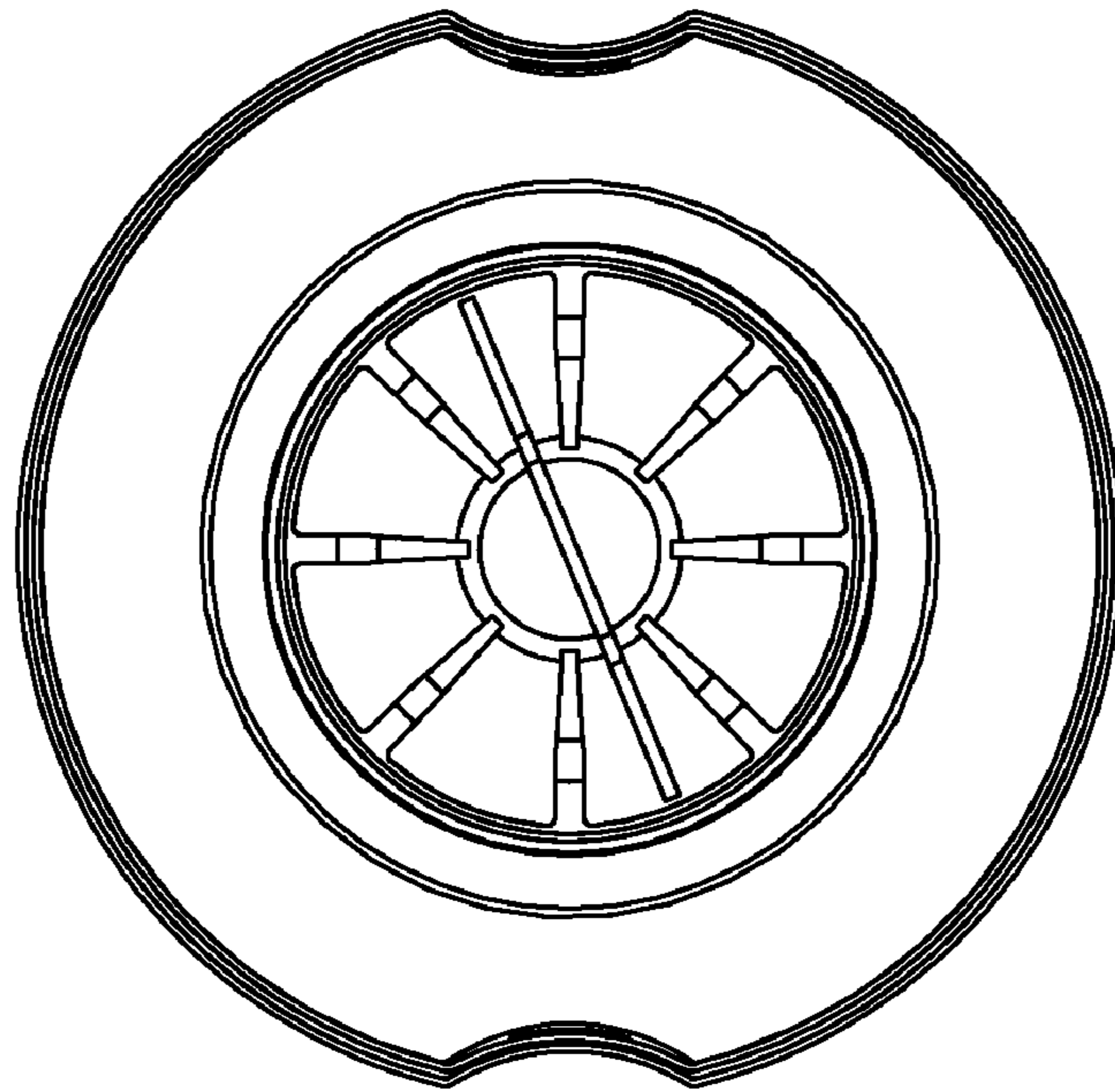


FIG. 11

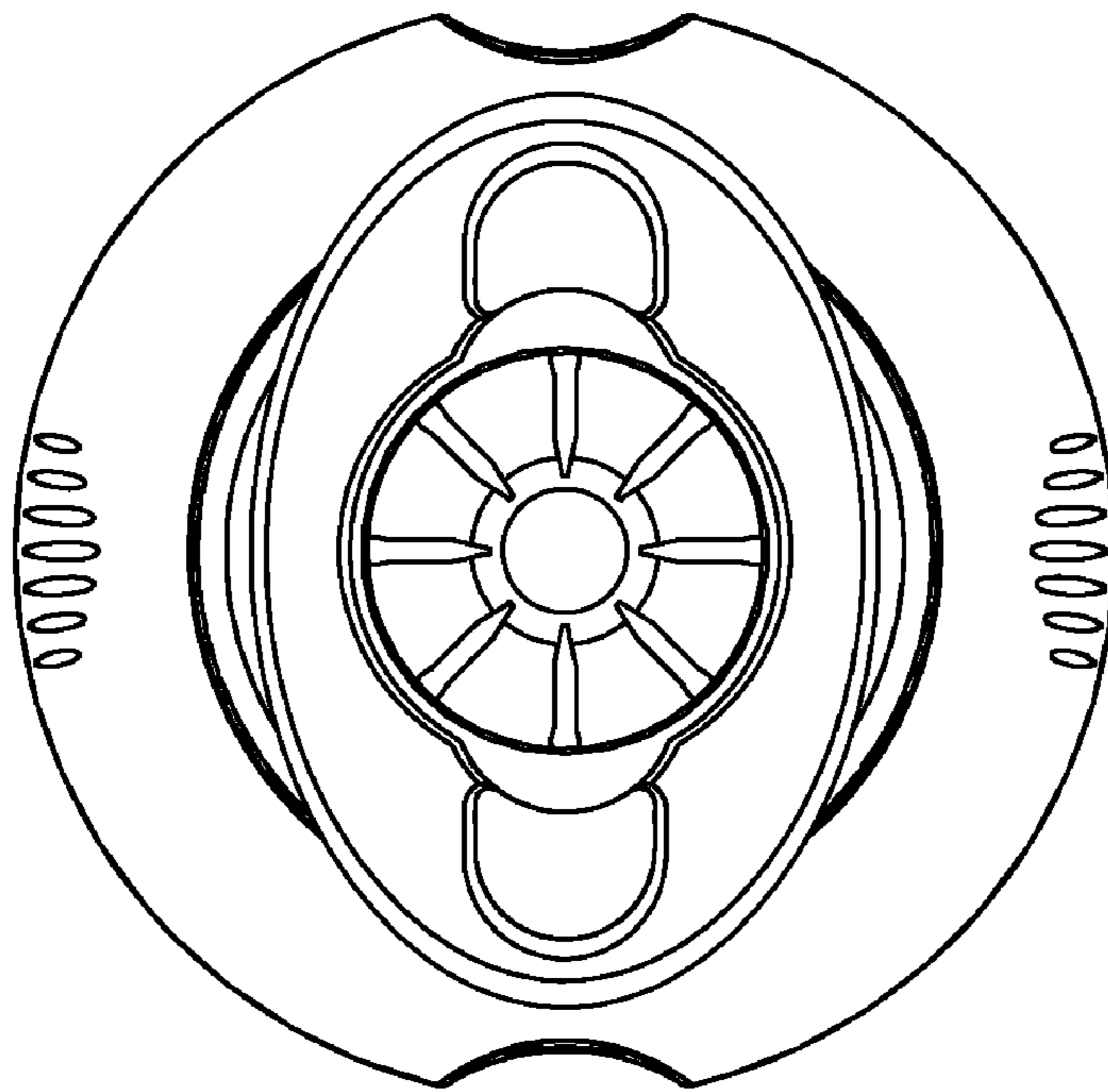


FIG. 12