



US00D594968S

(12) **United States Design Patent**  
**Sebban**

(10) **Patent No.:** **US D594,968 S**  
(45) **Date of Patent:** **\*\* Jun. 23, 2009**

(54) **ASPIRATOR ASSEMBLY**

(76) Inventor: **Eric Sebban**, 13899 Biscayne Blvd.,  
Suite 101, North Miami Beach, FL (US)  
33181

(\*\*) Term: **14 Years**

(21) Appl. No.: **29/294,836**

(22) Filed: **Jan. 28, 2008**

6,742,927 B2	6/2004	Bellifemine	
6,751,497 B2	6/2004	Fraden	
D493,733 S	8/2004	Chen	
D494,672 S *	8/2004	Wang .....	D24/108
6,789,936 B1	9/2004	Kraus et al.	
7,001,066 B1	2/2006	Bellifemine	
7,048,437 B2	5/2006	Bellifemine	
7,093,974 B2	8/2006	Kienitz	
7,108,419 B2 *	9/2006	Harr .....	374/121
D535,746 S *	1/2007	Grove et al. ....	D24/144
D549,114 S	8/2007	Sebban	
D583,263 S	12/2008	Sebban	

**Related U.S. Application Data**

(63) Continuation-in-part of application No. 11/978,015,  
filed on Aug. 15, 2007.

(51) **LOC (9) Cl.** ..... **24-01**

(52) **U.S. Cl.** ..... **D24/108**

(58) **Field of Classification Search** ..... D24/108,  
D24/144, 137; 604/540, 19; 600/474, 549;  
374/121, 158

See application file for complete search history.

**References Cited**

**U.S. PATENT DOCUMENTS**

4,797,840 A	1/1989	Fraden	
5,167,235 A *	12/1992	Seacord et al. ....	600/474
5,178,464 A	1/1993	Fraden	
5,487,607 A *	1/1996	Makita et al. ....	374/158
5,522,662 A	6/1996	Shiokawa	
5,991,652 A *	11/1999	Barthelemy et al. ....	600/474
D436,173 S *	1/2001	Hemon .....	D24/137
6,196,714 B1	3/2001	Bellifemine et al.	
D451,597 S *	12/2001	Suh .....	D24/108
6,485,433 B1 *	11/2002	Peng .....	600/549
6,517,511 B2 *	2/2003	Yao .....	604/35
6,527,439 B1	3/2003	Bellifemine	

\* cited by examiner

*Primary Examiner*—Ian Simmons

*Assistant Examiner*—Anna J Burmeister

(74) *Attorney, Agent, or Firm*—Malloy & Malloy, P.A.

(57) **CLAIM**

The ornamental design for an aspirator assembly, as shown  
and described.

**DESCRIPTION**

FIG. 1 is a front perspective view of an aspirator assembly,  
showing my new design;

FIG. 2 is a front perspective view thereof, shown in an  
exploded view;

FIG. 3 is a left side elevational view thereof;

FIG. 4 is a rear elevational view thereof;

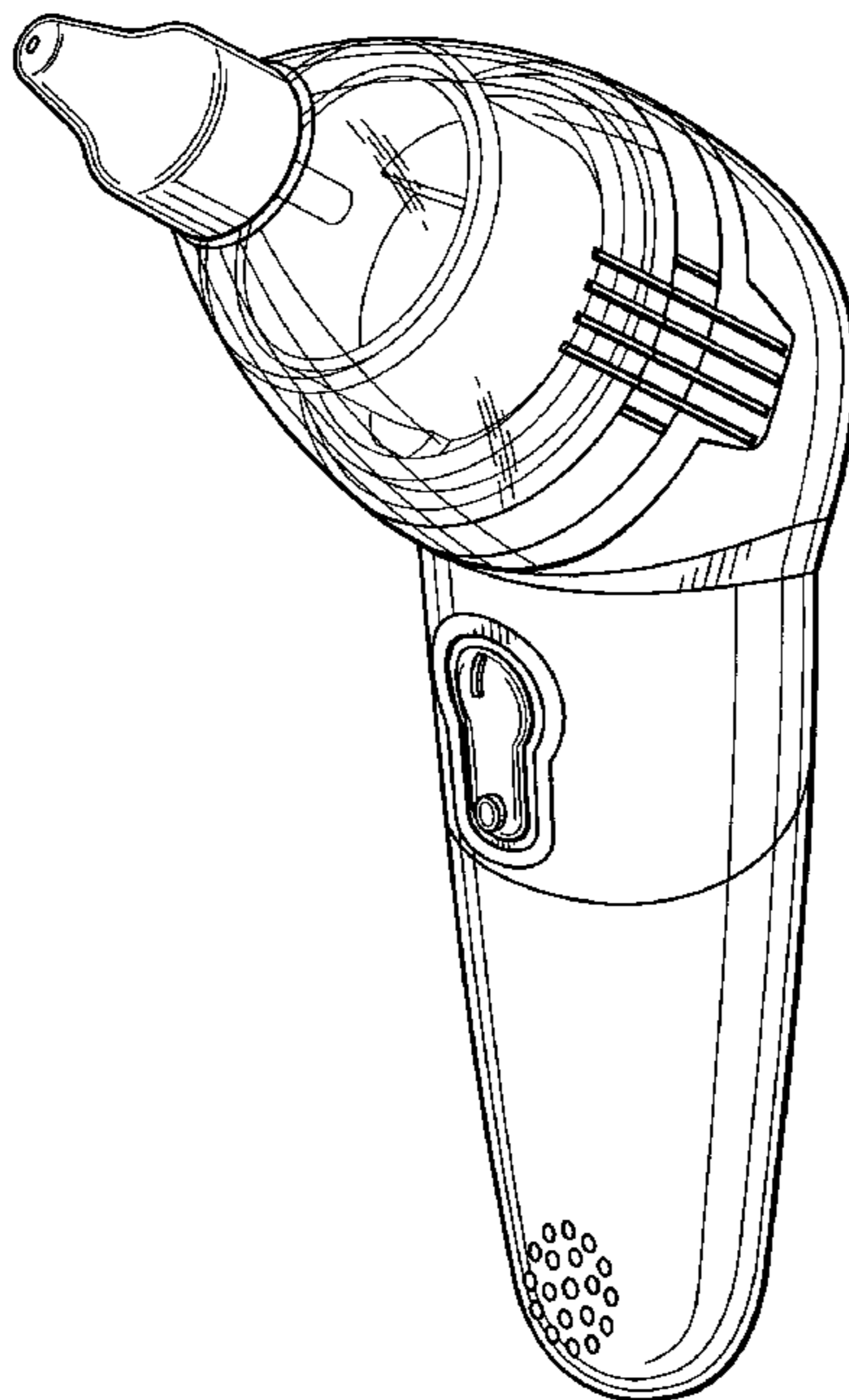
FIG. 5 is a top plan view thereof;

FIG. 6 is a bottom plan view thereof;

FIG. 7 is a right side elevational thereof; and,

FIG. 8 is a front elevational view thereof.

**1 Claim, 5 Drawing Sheets**



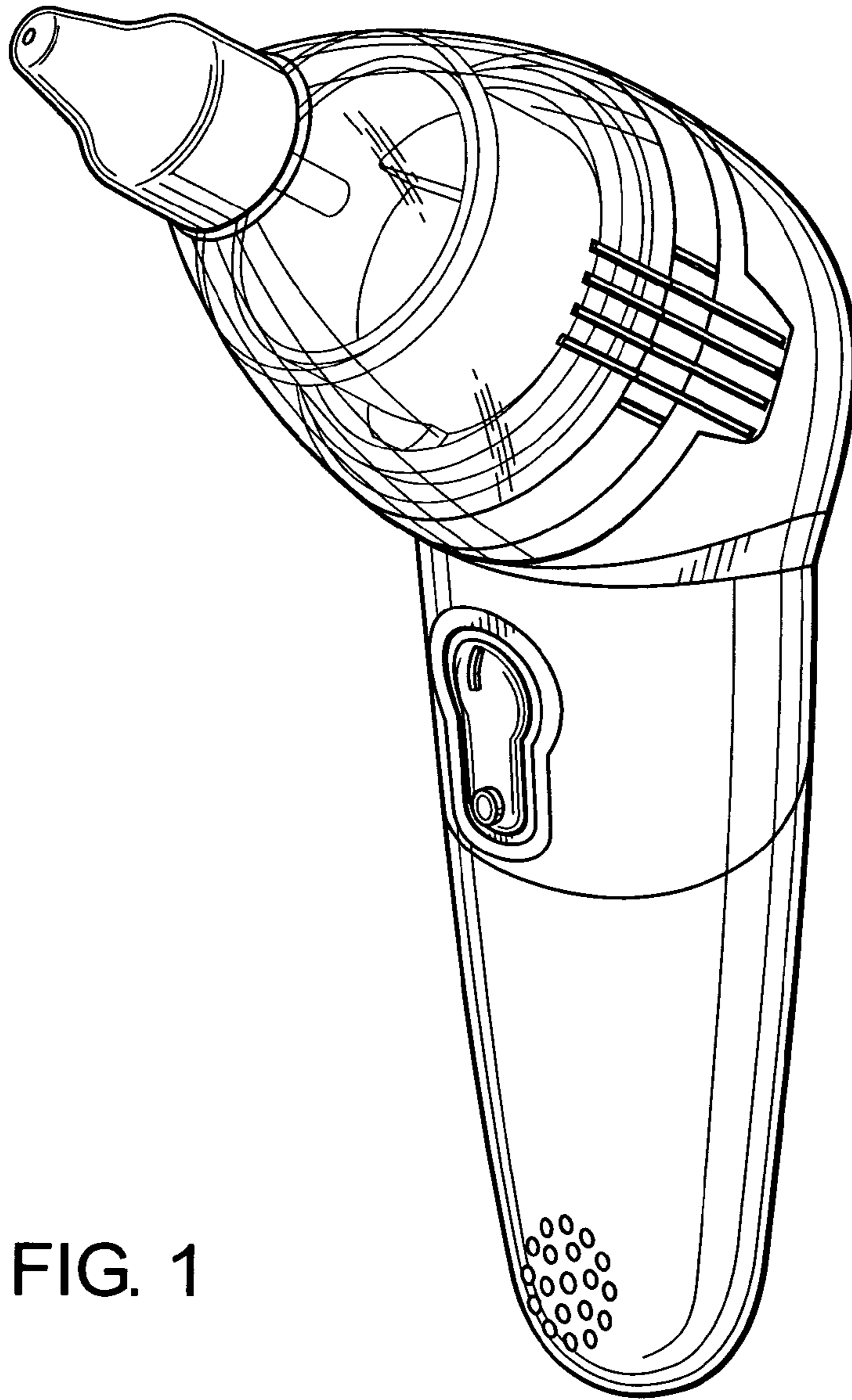


FIG. 1

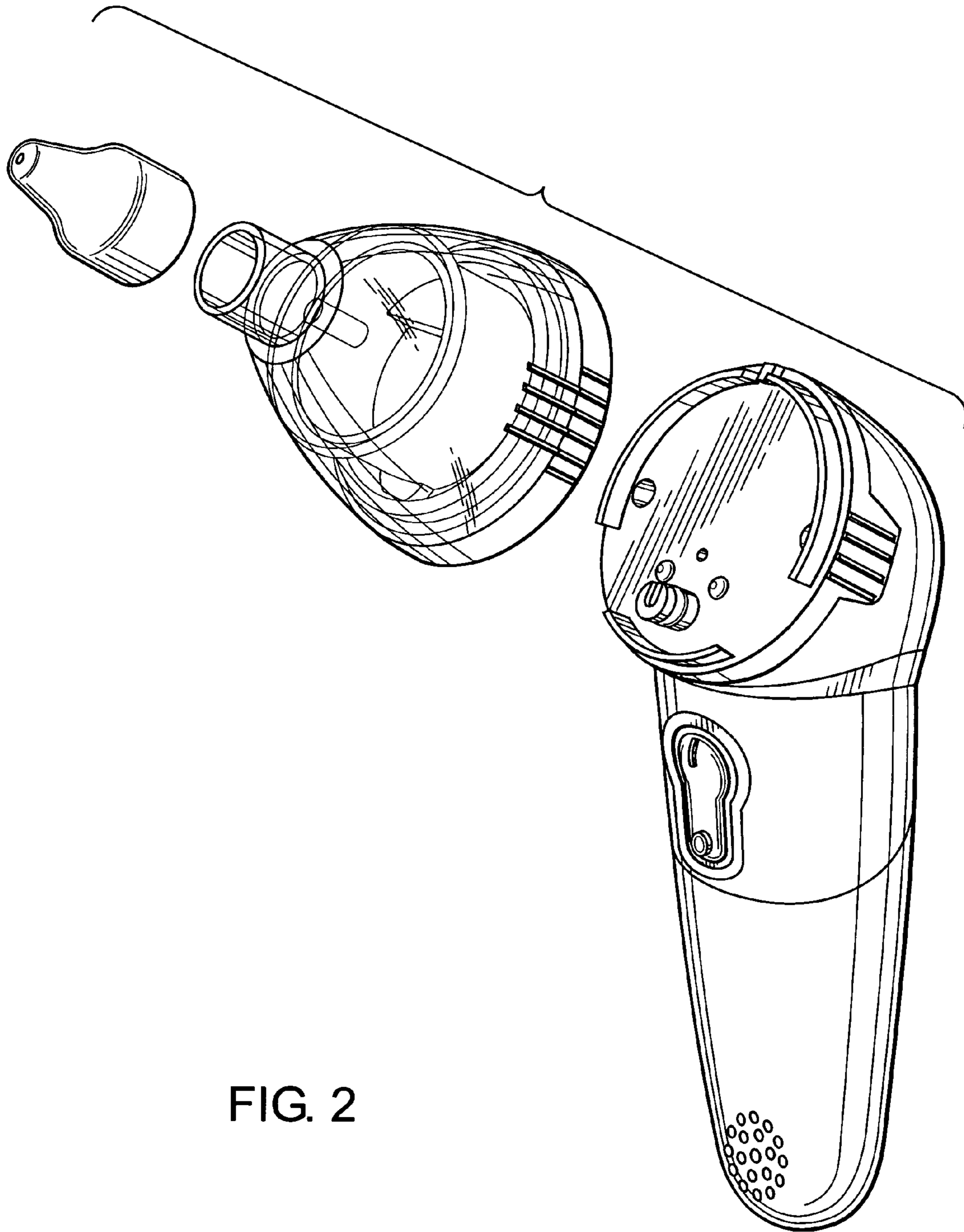


FIG. 2

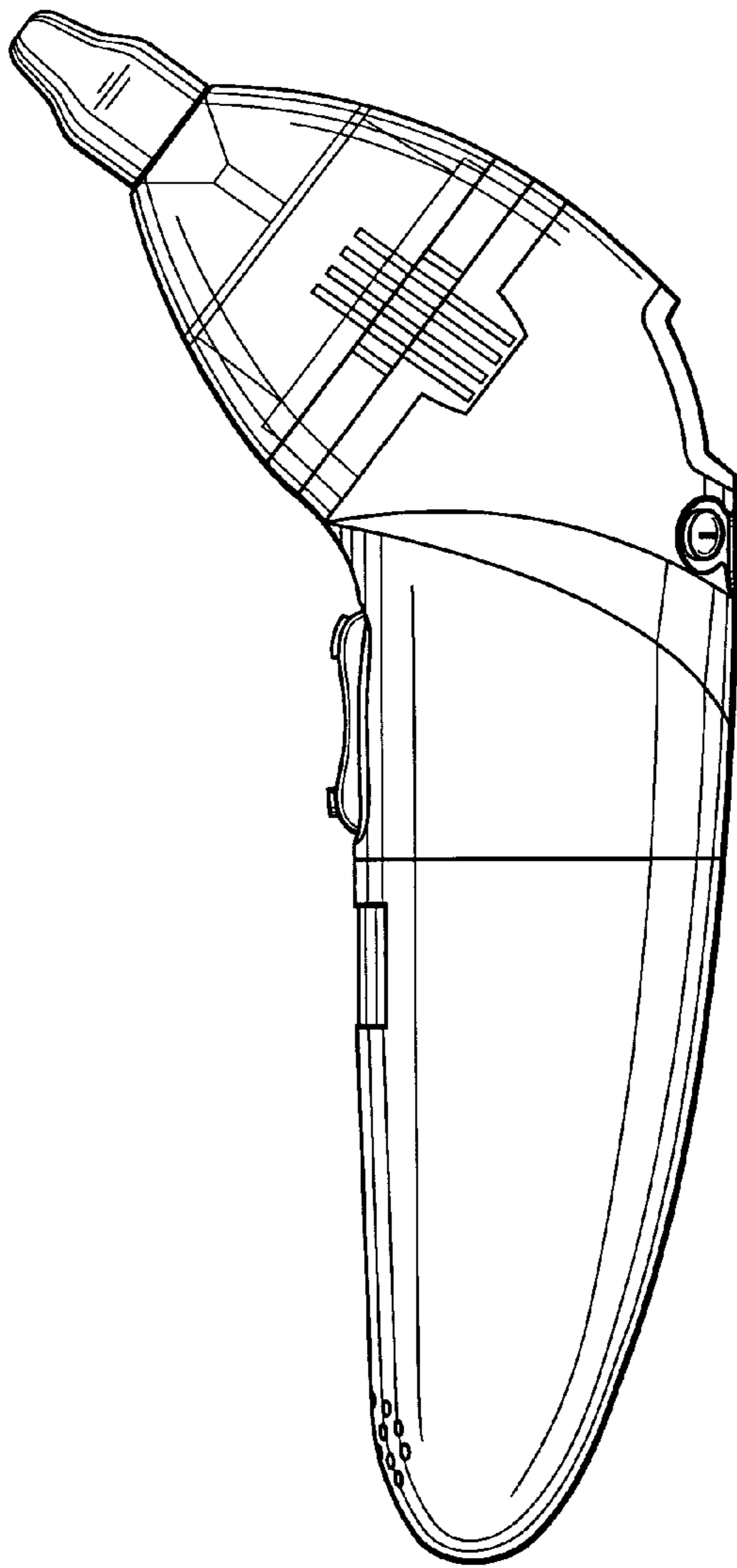


FIG. 3

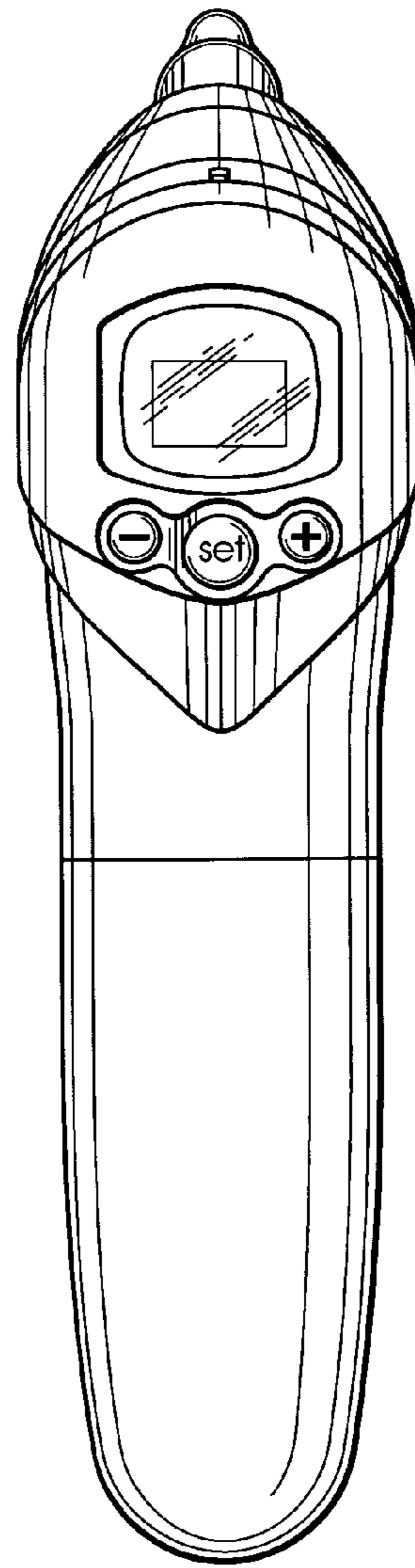


FIG. 4



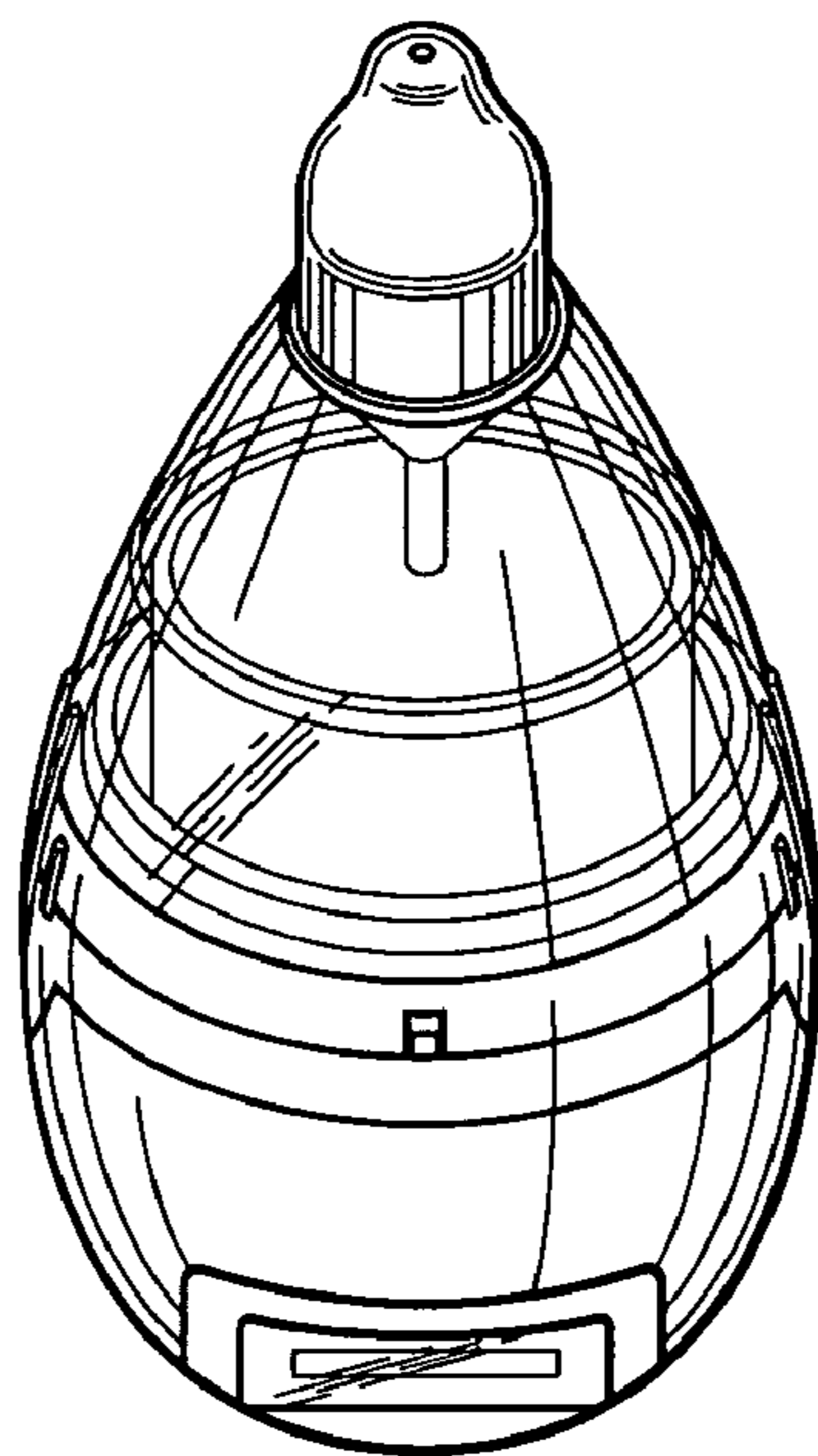


FIG. 5

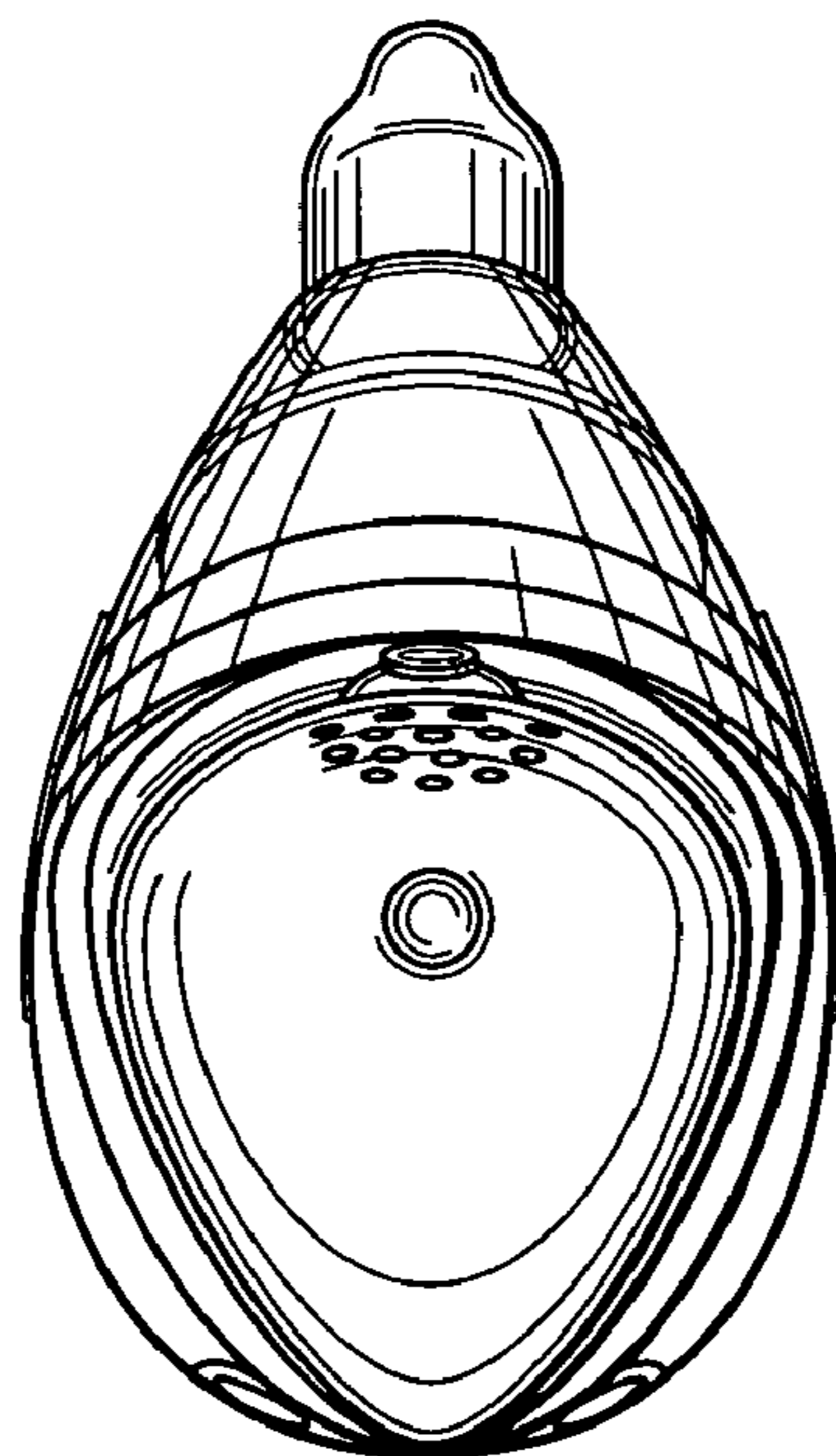


FIG. 6

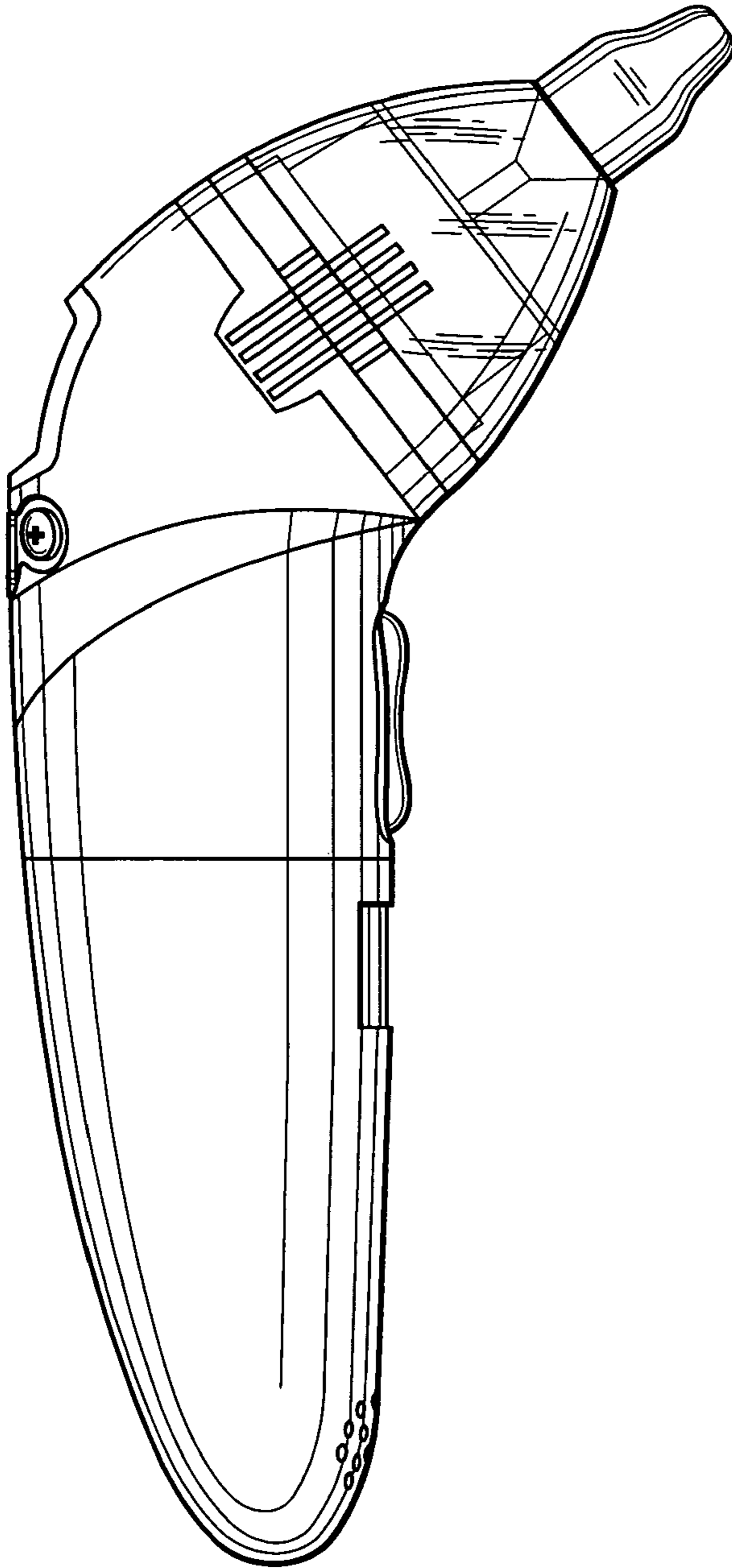


FIG. 7

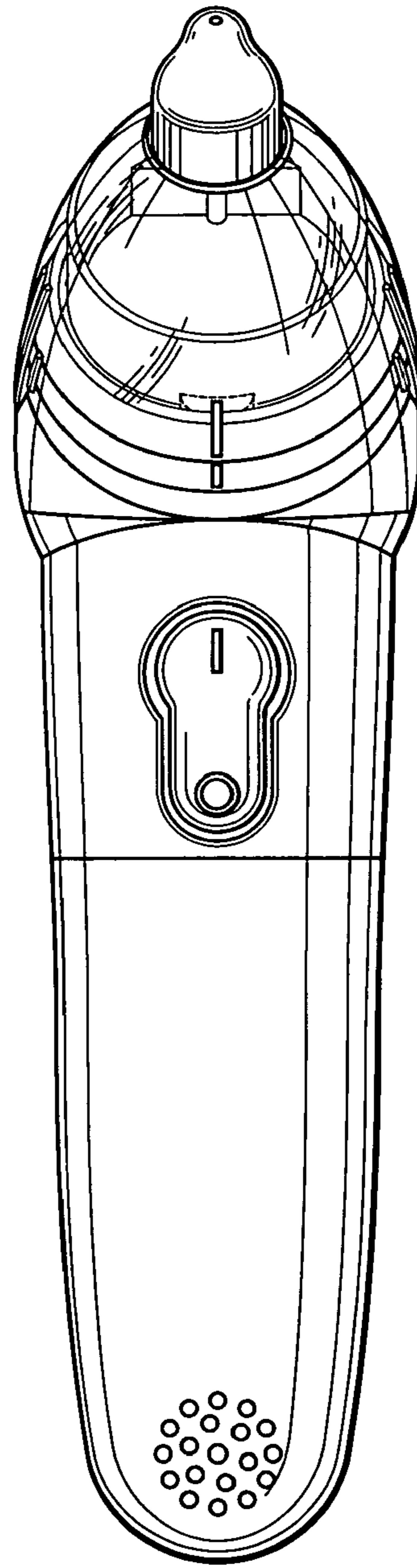


FIG. 8