



US00D594967S

(12) **United States Design Patent**
Hidalgo

(10) **Patent No.:** **US D594,967 S**

(45) **Date of Patent:** **** Jun. 23, 2009**

(54) **CEILING FAN HOUSING**

(75) Inventor: **Rolando Hidalgo**, Yorba Linda, CA
(US)

(73) Assignee: **Minka Lighting, Inc.**, Corona, CA (US)

(**) Term: **14 Years**

(21) Appl. No.: **29/319,983**

(22) Filed: **Jun. 18, 2008**

(51) **LOC (9) Cl.** **23-04**

(52) **U.S. Cl.** **D23/411**

(58) **Field of Classification Search** D23/377,
D23/379, 385, 411, 413; 416/5
See application file for complete search history.

(56) **References Cited**

U.S. PATENT DOCUMENTS

D331,101 S	*	11/1992	Rezek	D23/377
D376,421 S	*	12/1996	Jaspers-Fayer	D23/377
D394,104 S	*	5/1998	Gee et al.	D23/411
D408,516 S	*	4/1999	Tai	D23/377

OTHER PUBLICATIONS

Monte Carlo Internet Catalog; Grand Isle; Model #5GIR54RBD;
printed from hansenwholesale.com on May 10, 2008.
Ellington Internet Catalog; Riviera; Model #RIV52ABZ5LKRCRD;
printed from hansenwholesale.com on May 10, 2008.

Ellington Internet Catalog; Wrought Iron; Model #
WRI52ABZ5LKRCRD; printed from hansenwholesale.com on May
10, 2008.

* cited by examiner

Primary Examiner—Lisa P Lichtenstein

(74) *Attorney, Agent, or Firm*—Baker & McKenzie LLP

(57) **CLAIM**

The ornamental design for a ceiling fan housing, as shown
and described.

DESCRIPTION

FIG. 1 is a bottom perspective view of a ceiling fan housing
showing an embodiment in accordance with my design;

FIG. 2 is a reduced top plan view of the ceiling fan housing in
accordance with my design;

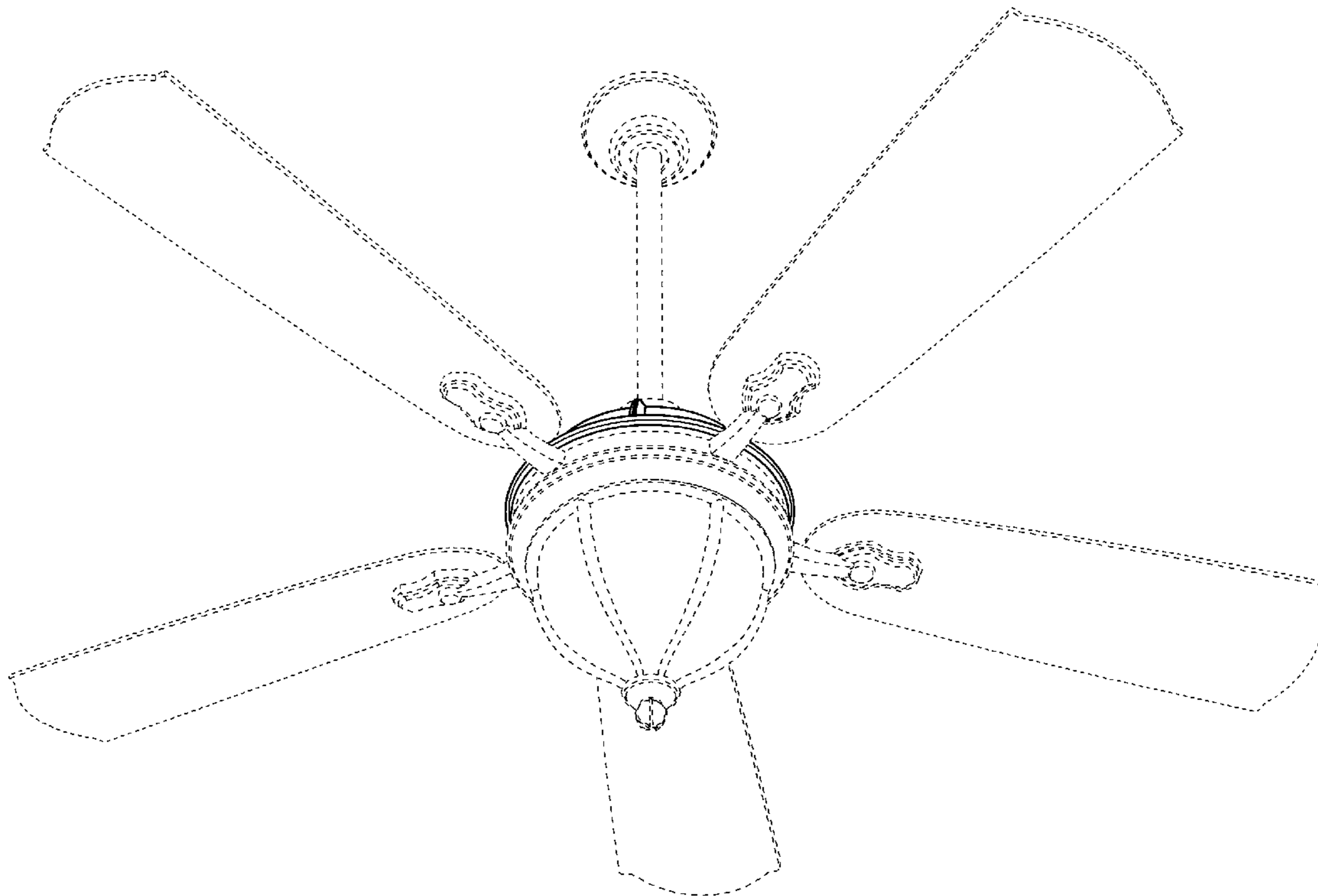
FIG. 3 is an enlarged front elevation view of the ceiling fan
housing in accordance with my design;

FIG. 4 is an enlarged back elevation view of the ceiling fan
housing in accordance with my design; and,

FIG. 5 is an enlarged side elevation plan view of the ceiling
fan housing in accordance with my design, the opposite side
being a mirror image of that shown.

The broken line showing of the ceiling fan blades, canopy,
blade irons, support pole and light fixture is included for the
purpose of illustrating environmental structure and forms no
part of the claimed design.

1 Claim, 5 Drawing Sheets



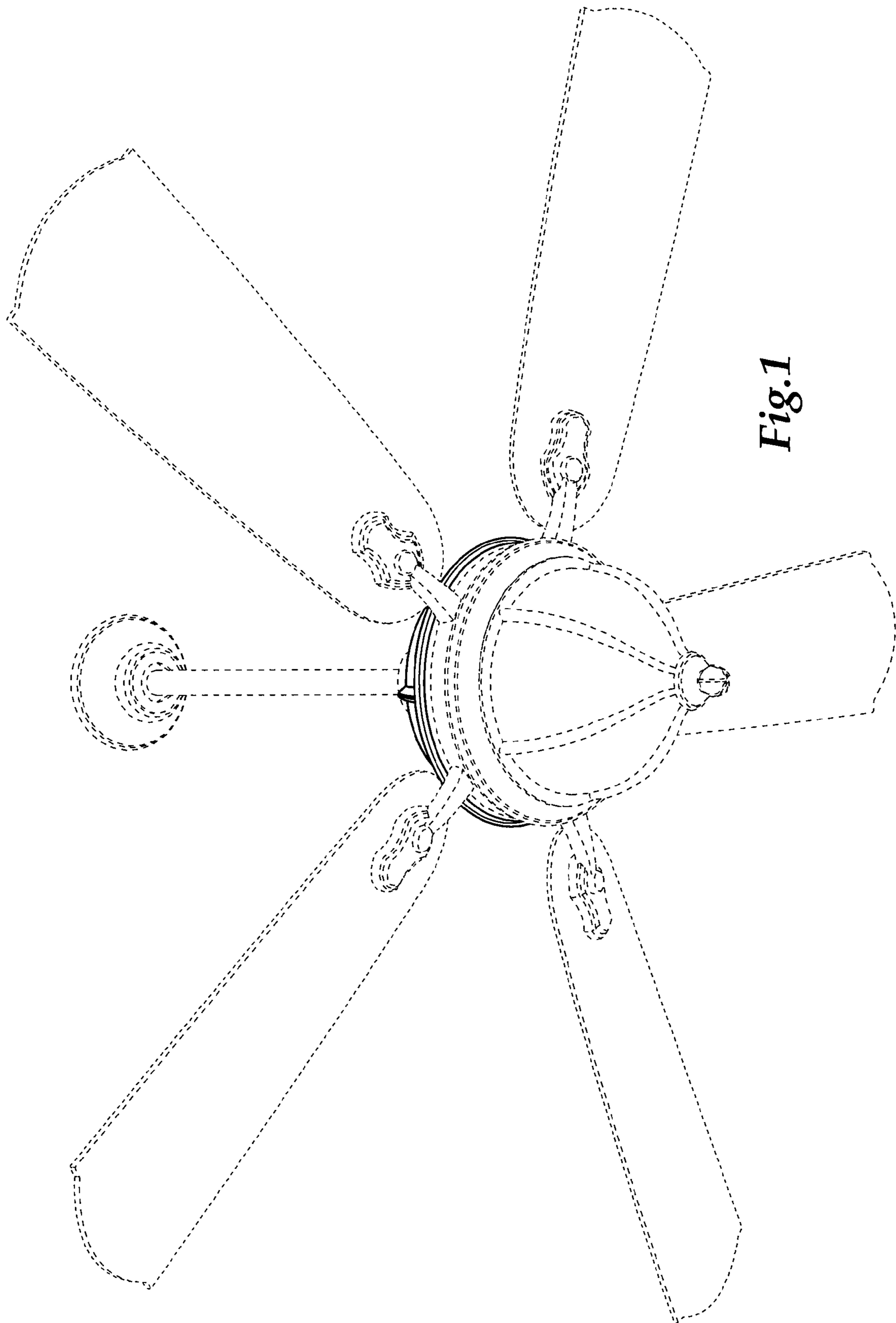


Fig. 1

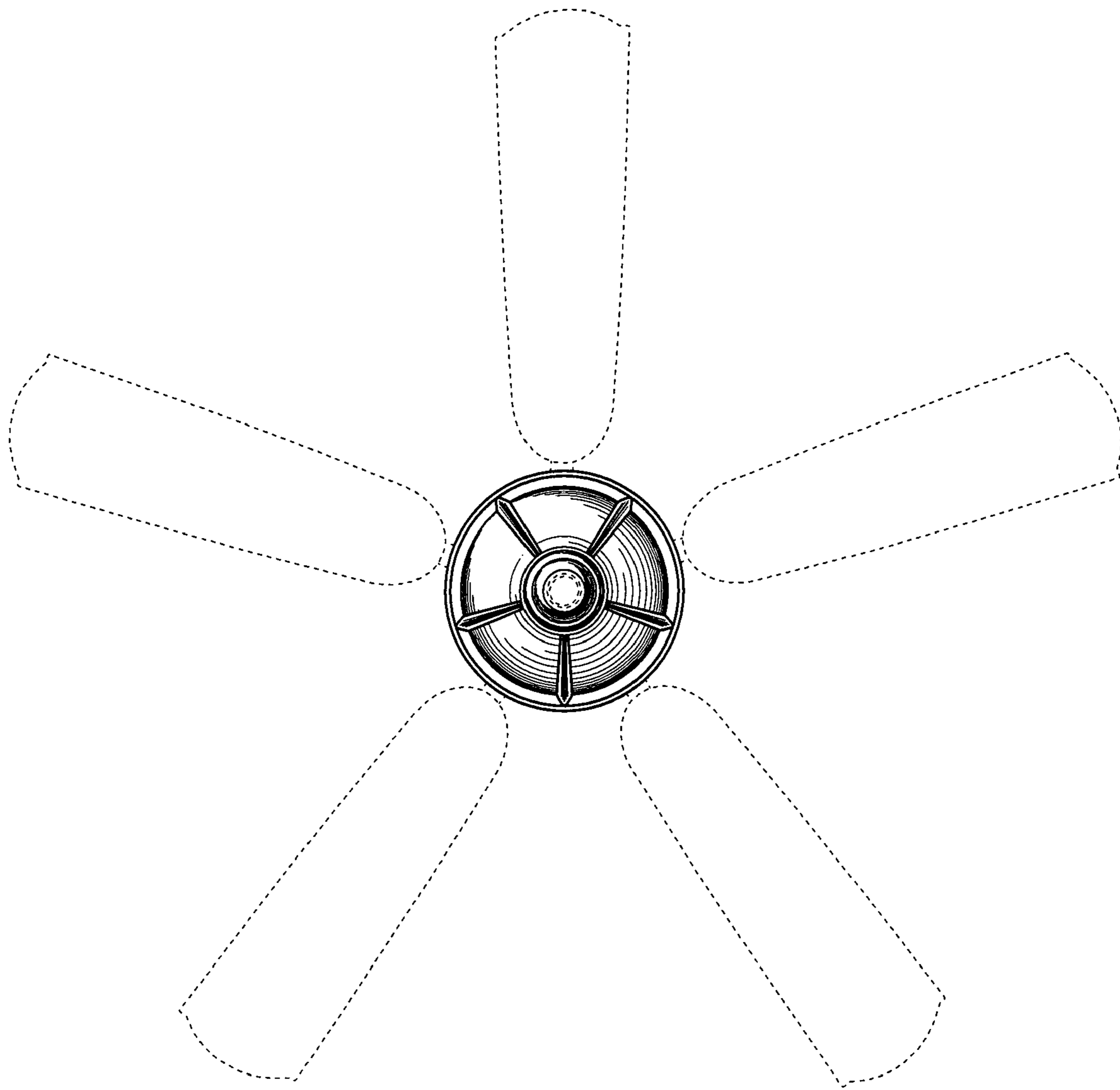


Fig.2

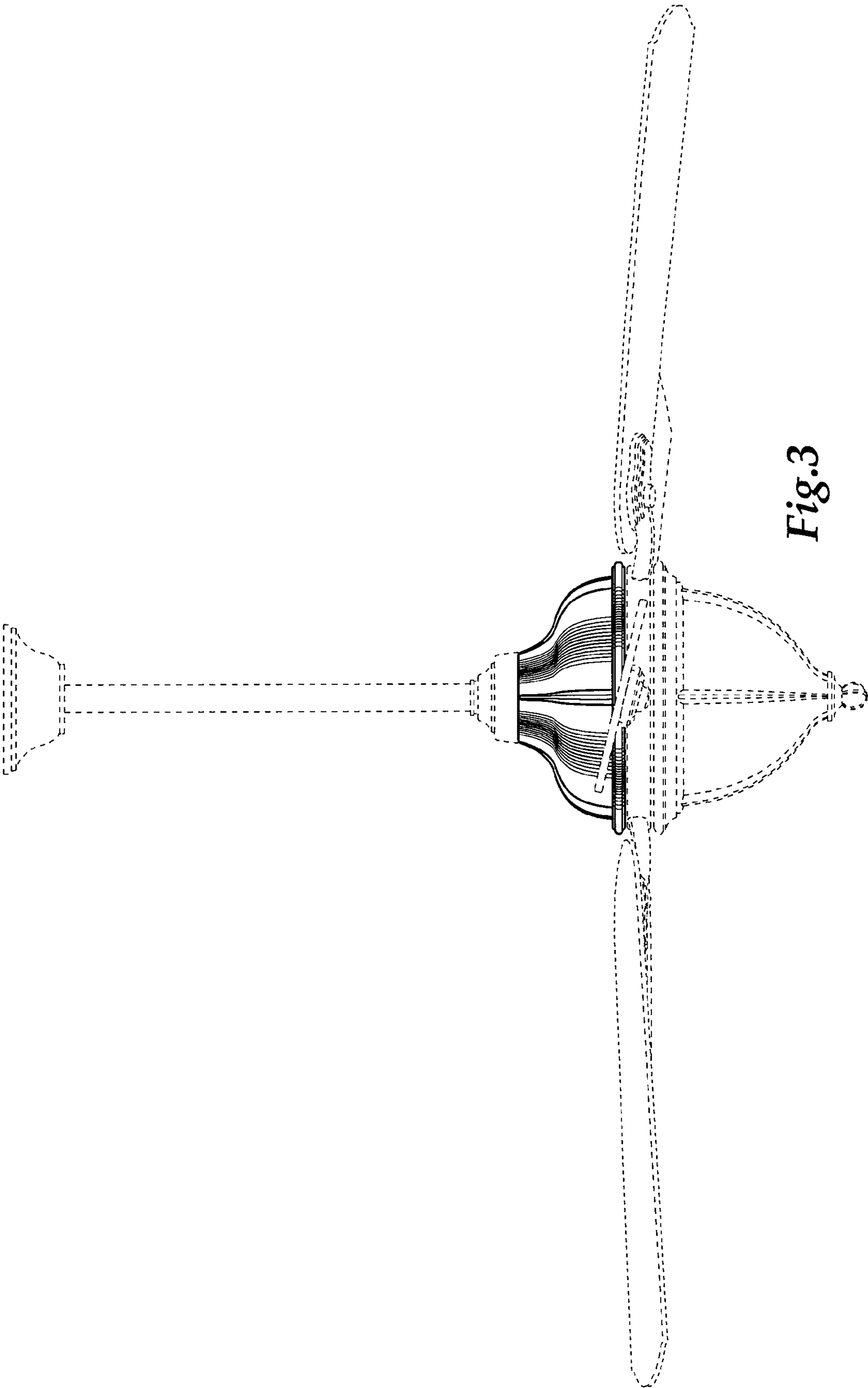


Fig.3

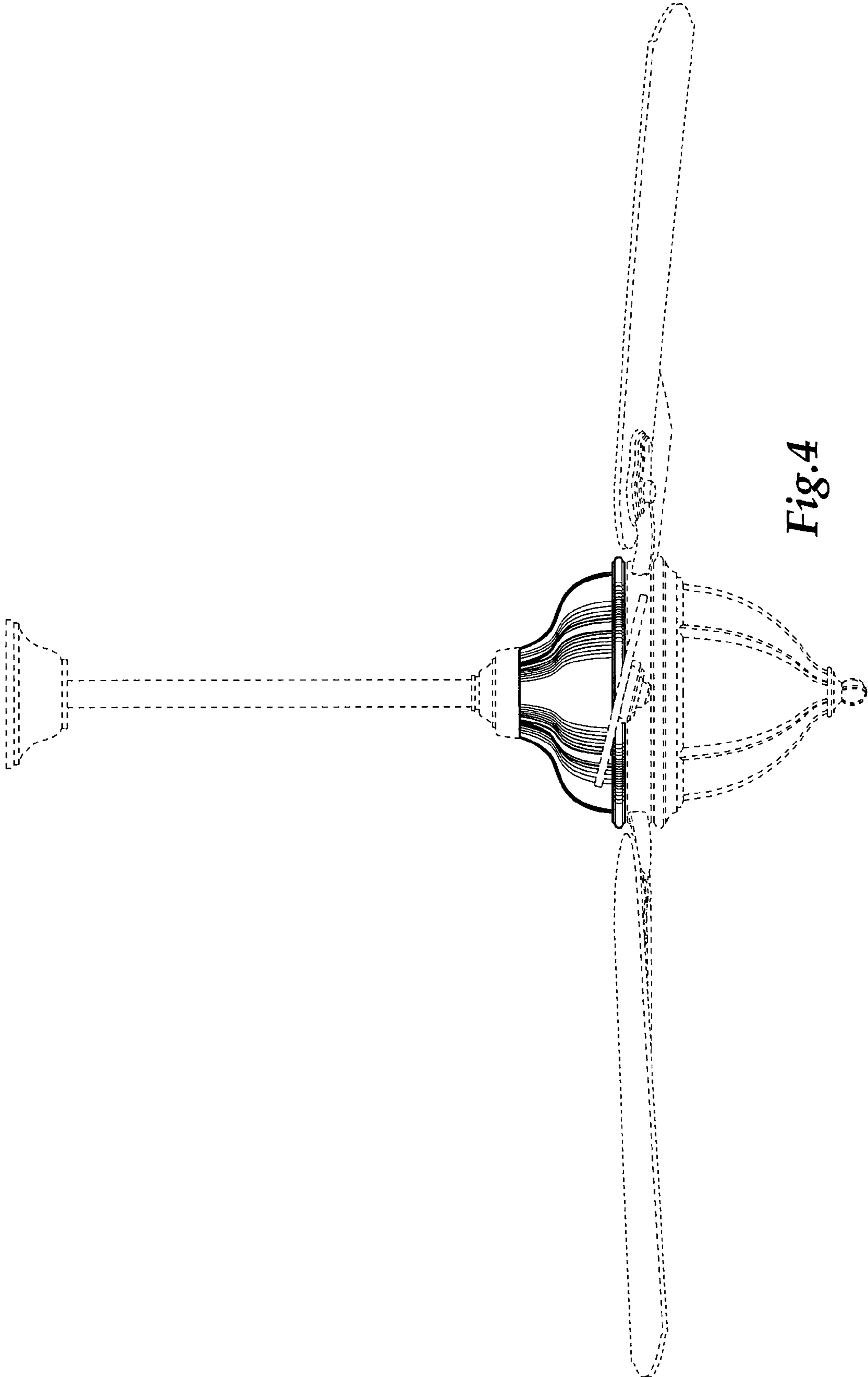


Fig. 4

