



US00D594965S

(12) **United States Design Patent**
Bucher et al.

(10) **Patent No.:** **US D594,965 S**
(45) **Date of Patent:** **** Jun. 23, 2009**

(54) **HIGH VELOCITY WALL AND FLOOR FAN**

(75) Inventors: **John C. Bucher**, Hillsboro Bch., FL (US); **William Carter**, Canton, GA (US); **Chad Ricker**, North Lauderdale, FL (US)

(73) Assignee: **Thien Luen Industries Co., Ltd., Inc.**, Fort Lauderdale, FL (US)

(**) Term: **14 Years**

(21) Appl. No.: **29/261,391**

(22) Filed: **Jun. 13, 2006**

(51) **LOC (9) Cl.** **23-04**

(52) **U.S. Cl.** **D23/411**

(58) **Field of Classification Search** D23/411,
D23/381, 382; 416/247 R, 244 R
See application file for complete search history.

(56) **References Cited**

U.S. PATENT DOCUMENTS

D83,829 S *	3/1931	Peterson et al.	D23/382
D111,542 S *	9/1938	Brannan et al.	D23/378
D307,320 S	4/1990	Shin-Chin	D23/382
D323,885 S	2/1992	Wortham	D23/378
5,265,895 A	11/1993	Barrett	280/47.24
D384,738 S	10/1997	Jane et al.	D23/378
D416,617 S	11/1999	Jane et al.	D23/378
D426,296 S	6/2000	Blateri	D23/382
D426,631 S	6/2000	Thakur	D23/378
D439,967 S *	4/2001	Bogazzi	D23/382
D444,552 S	7/2001	Wang	D23/382
D480,466 S	10/2003	Bucher et al.	D23/382
D482,770 S *	11/2003	Bucher et al.	D23/378
D487,146 S *	2/2004	Thomas, Jr.	D23/382

* cited by examiner

Primary Examiner—Lisa P Lichtenstein

(74) *Attorney, Agent, or Firm*—Brian S. Steinberger; Law Offices of Brian S. Steinberger, P.A.

(57) **CLAIM**

The ornamental design for a high velocity wall and floor fan, as shown and described.

DESCRIPTION

FIG. 1 is a rear perspective view of the novel high velocity wall fan.

FIG. 2 is a front perspective view of fan of FIG. 1.

FIG. 3 is a rear view of the fan of FIG. 1.

FIG. 4 is a front view of the fan of FIG. 1.

FIG. 5 is a right side view of the fan of FIG. 1.

FIG. 6 is a left side view of the fan of FIG. 1.

FIG. 7 is a top view of the fan of FIG. 1.

FIG. 8 is a bottom view of the fan of FIG. 1.

FIG. 9 is a rear perspective view of the novel high velocity floor fan.

FIG. 10 is a front perspective view of fan of FIG. 9.

FIG. 11 is a rear view of the fan of FIG. 9.

FIG. 12 is a front view of the fan of FIG. 9.

FIG. 13 is a right side view of the fan of FIG. 9.

FIG. 14 is a left side view of the fan of FIG. 9.

FIG. 15 is a top view of the fan of FIG. 9; and,

FIG. 16 is a bottom view of the fan of FIG. 9.

The broken line showing of portions of a high velocity wall and floor fan is included for the purpose of illustrating environmental structure and forms no part of the claimed design.

1 Claim, 14 Drawing Sheets

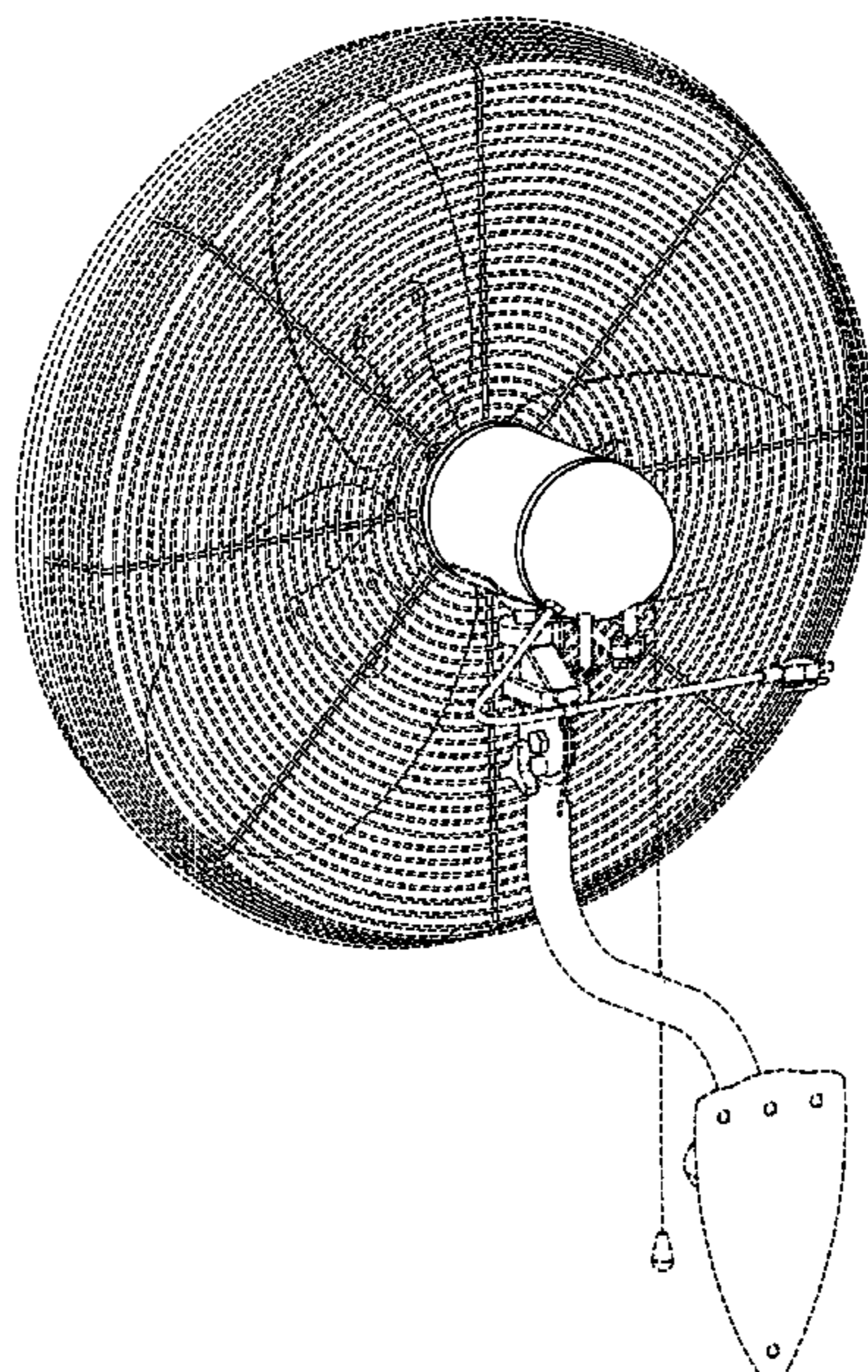


FIG. 1

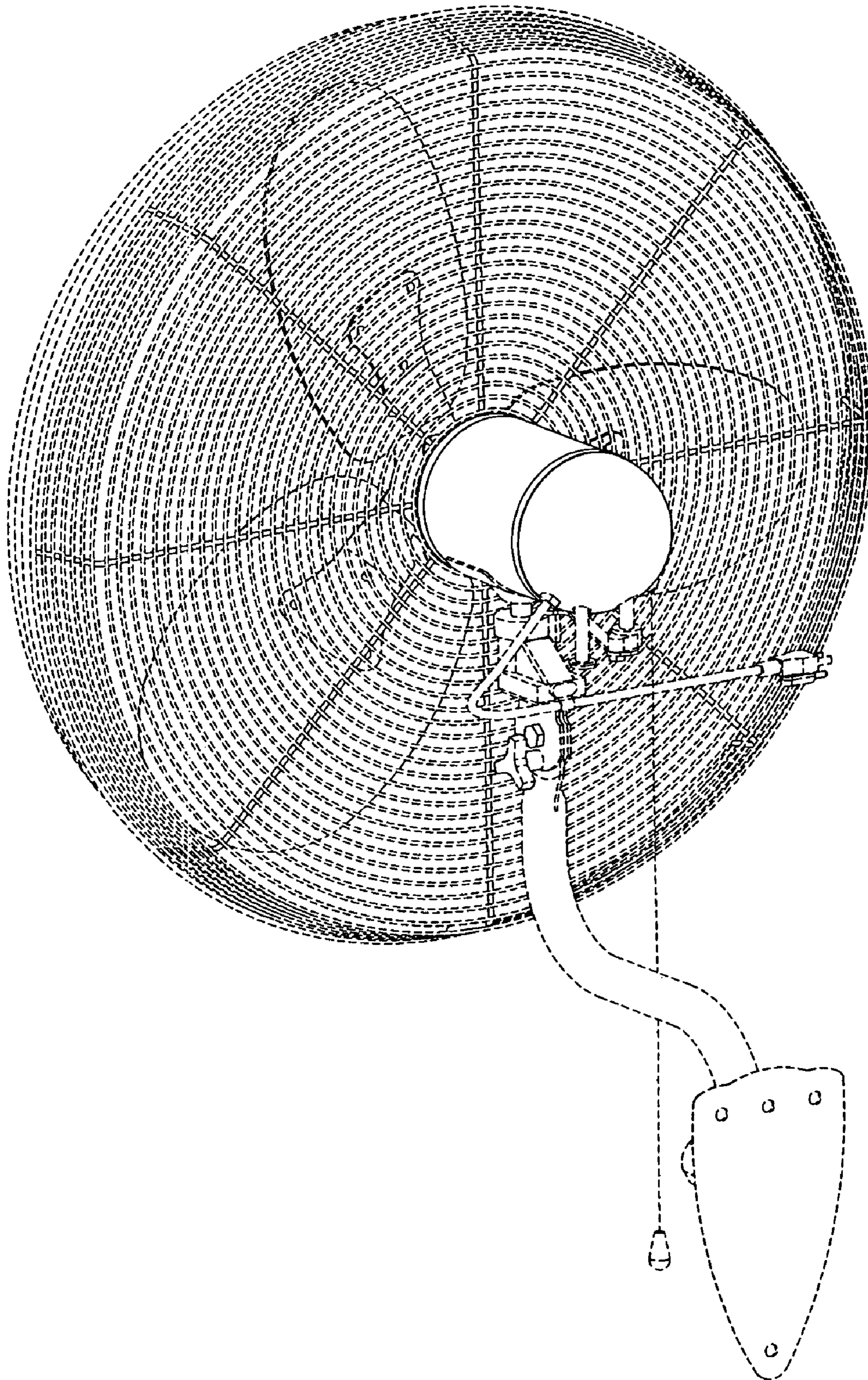


FIG. 2

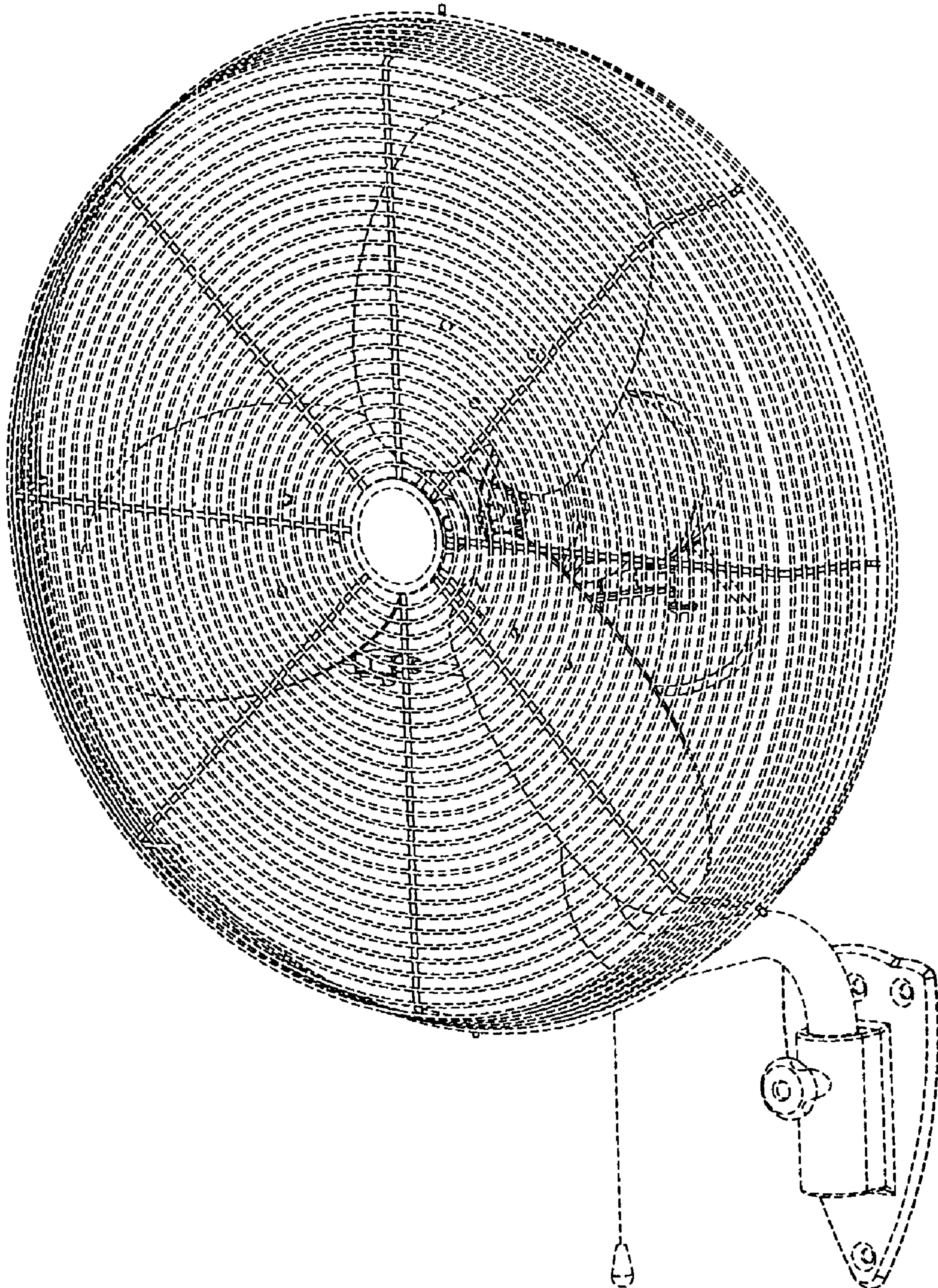


FIG. 3

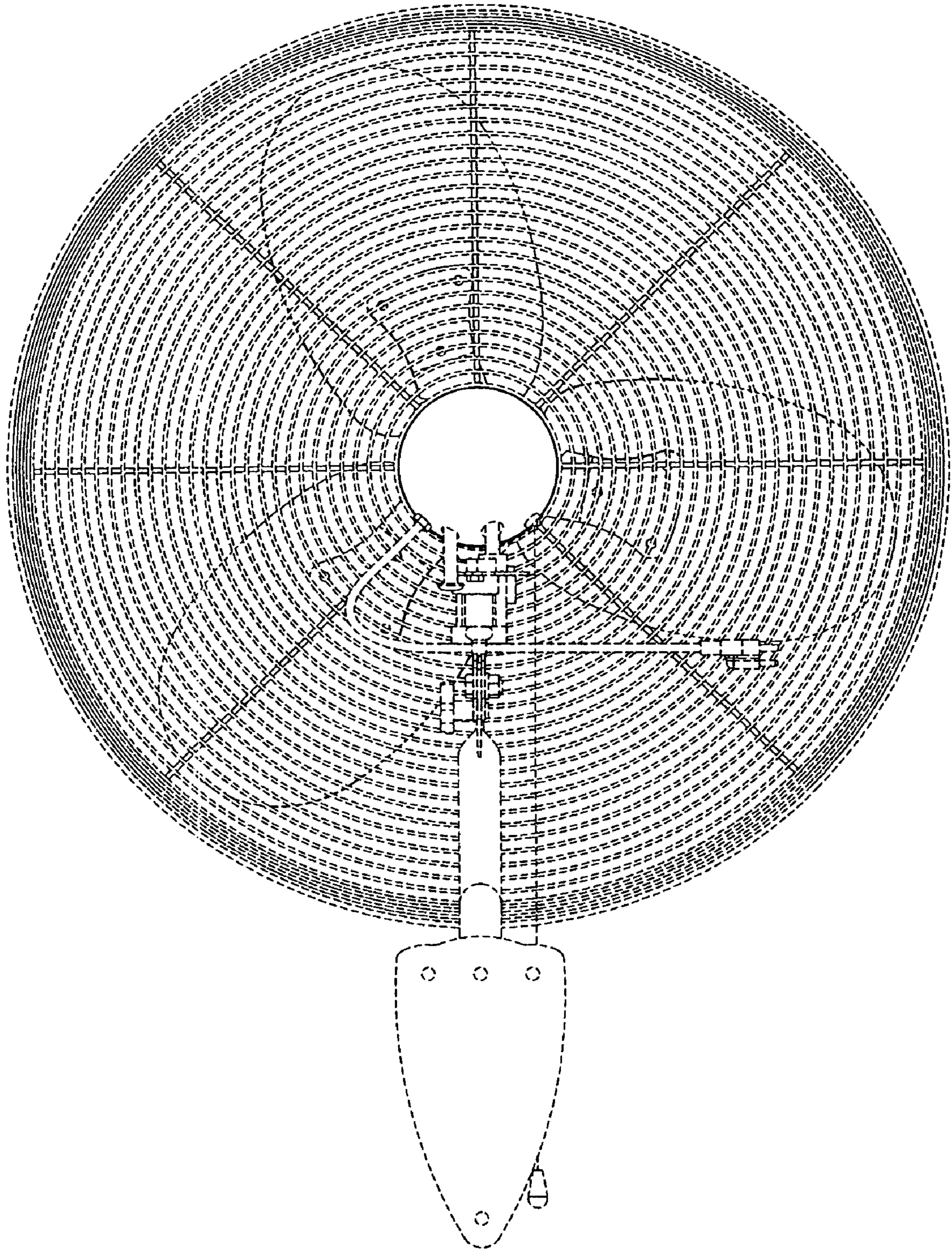


FIG. 4

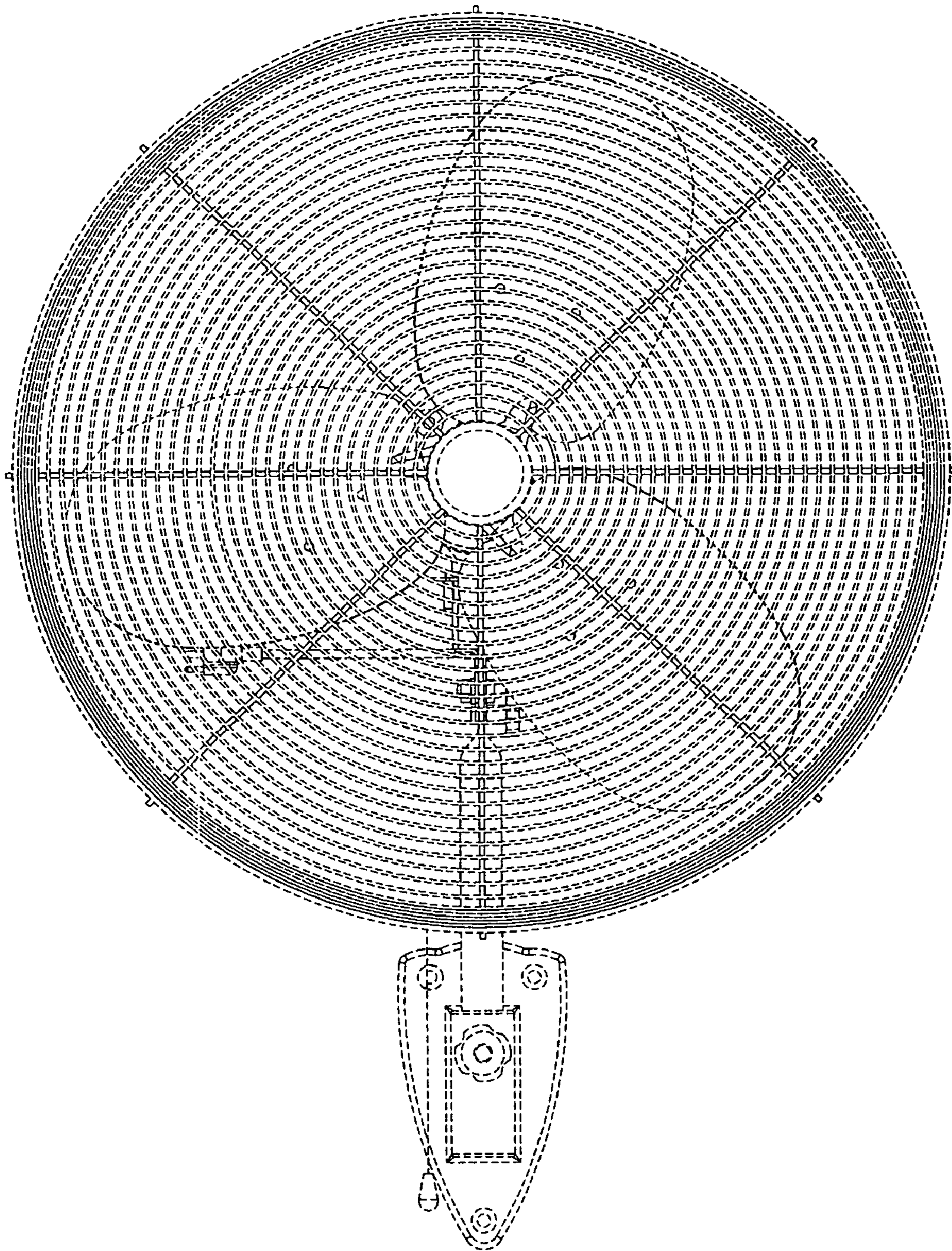


FIG. 5

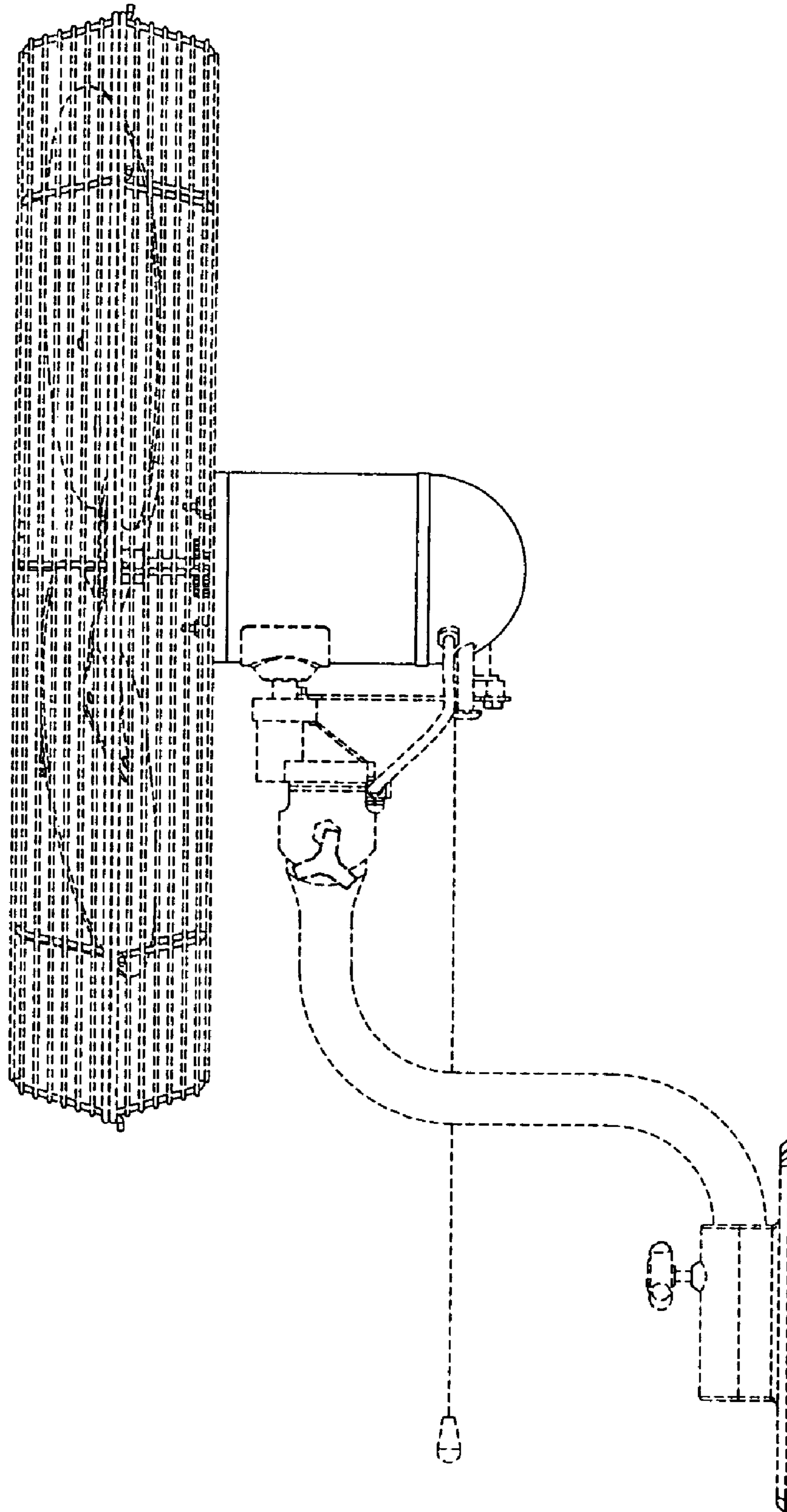


FIG. 6

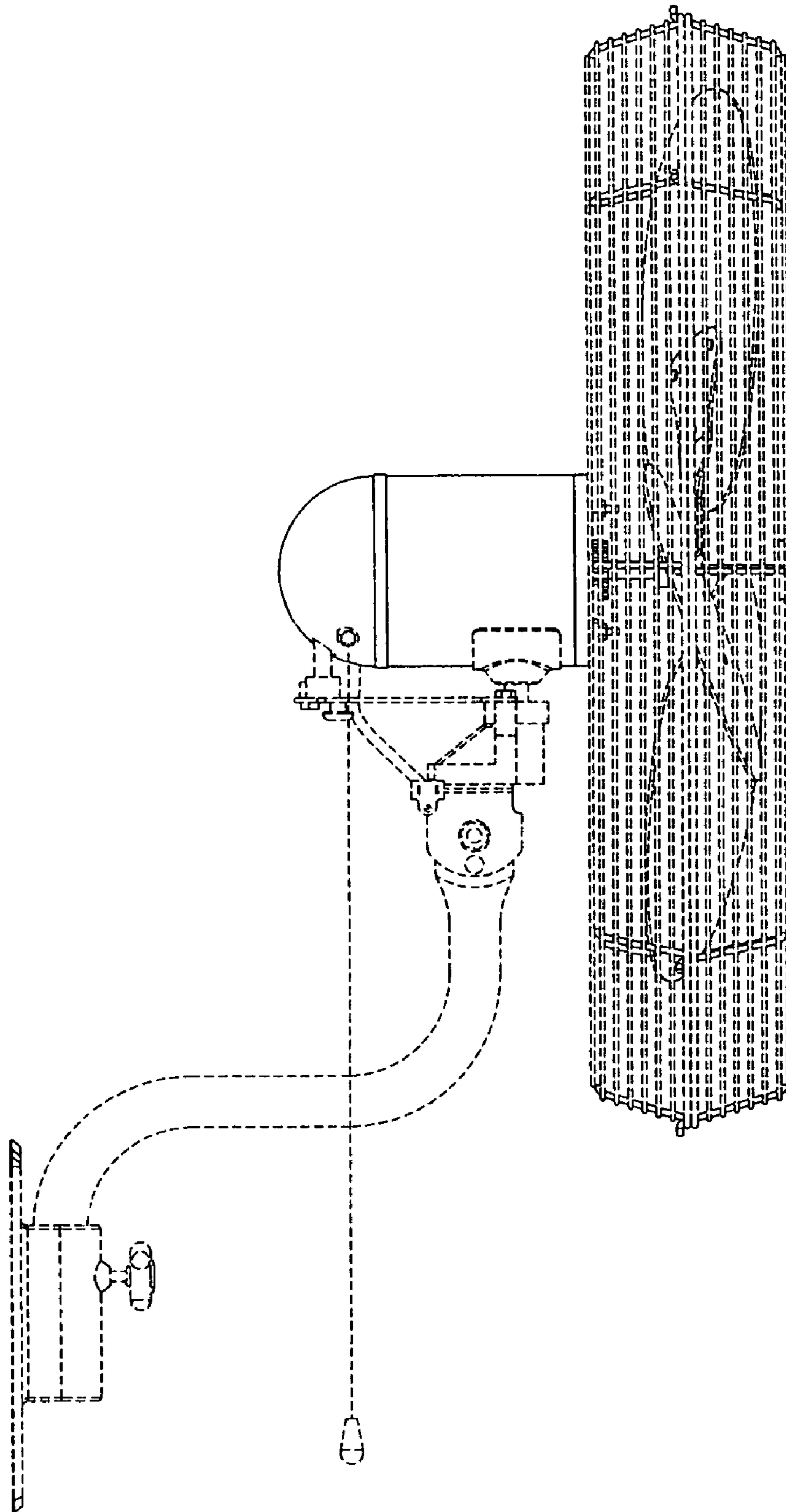


FIG. 7

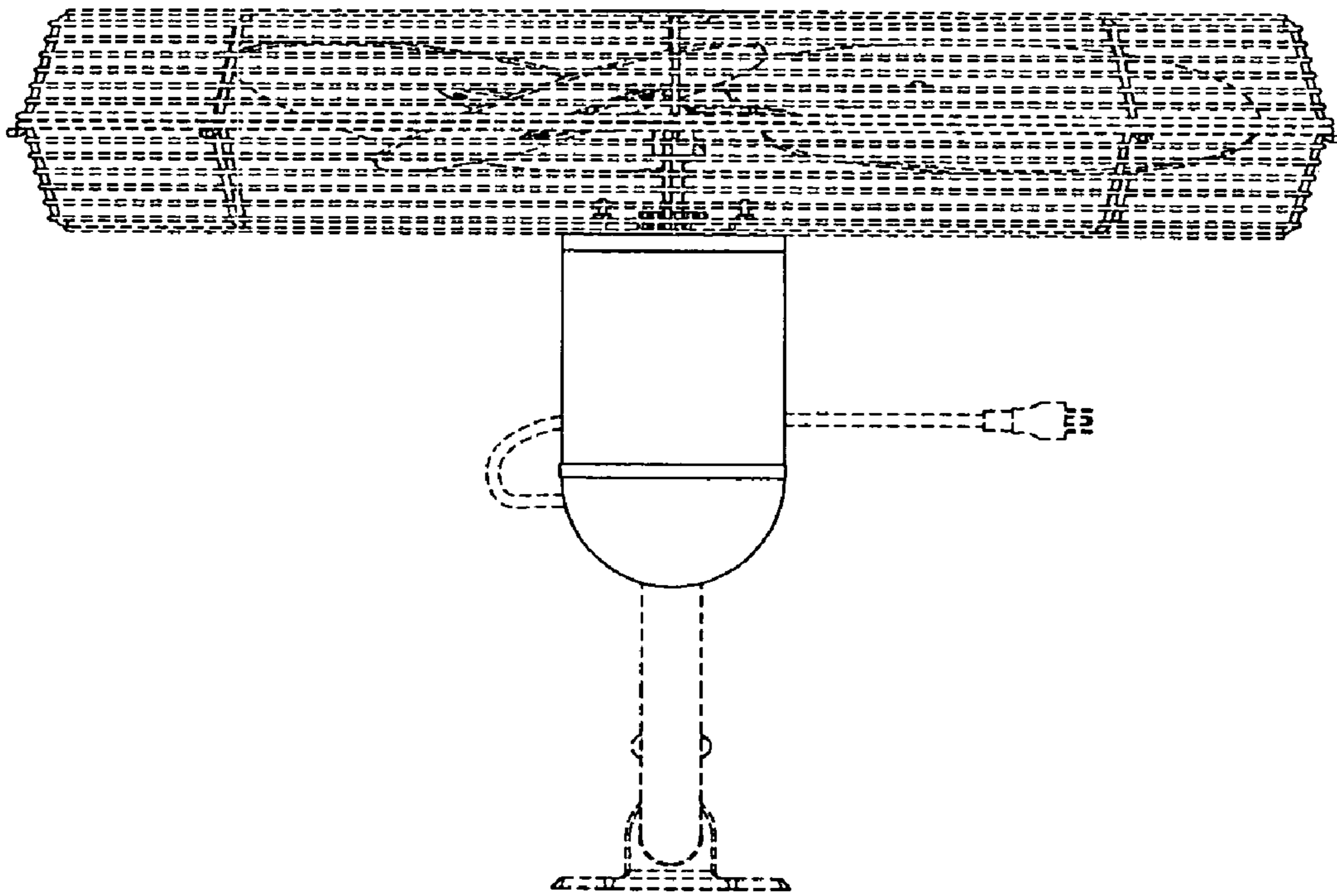


FIG. 8

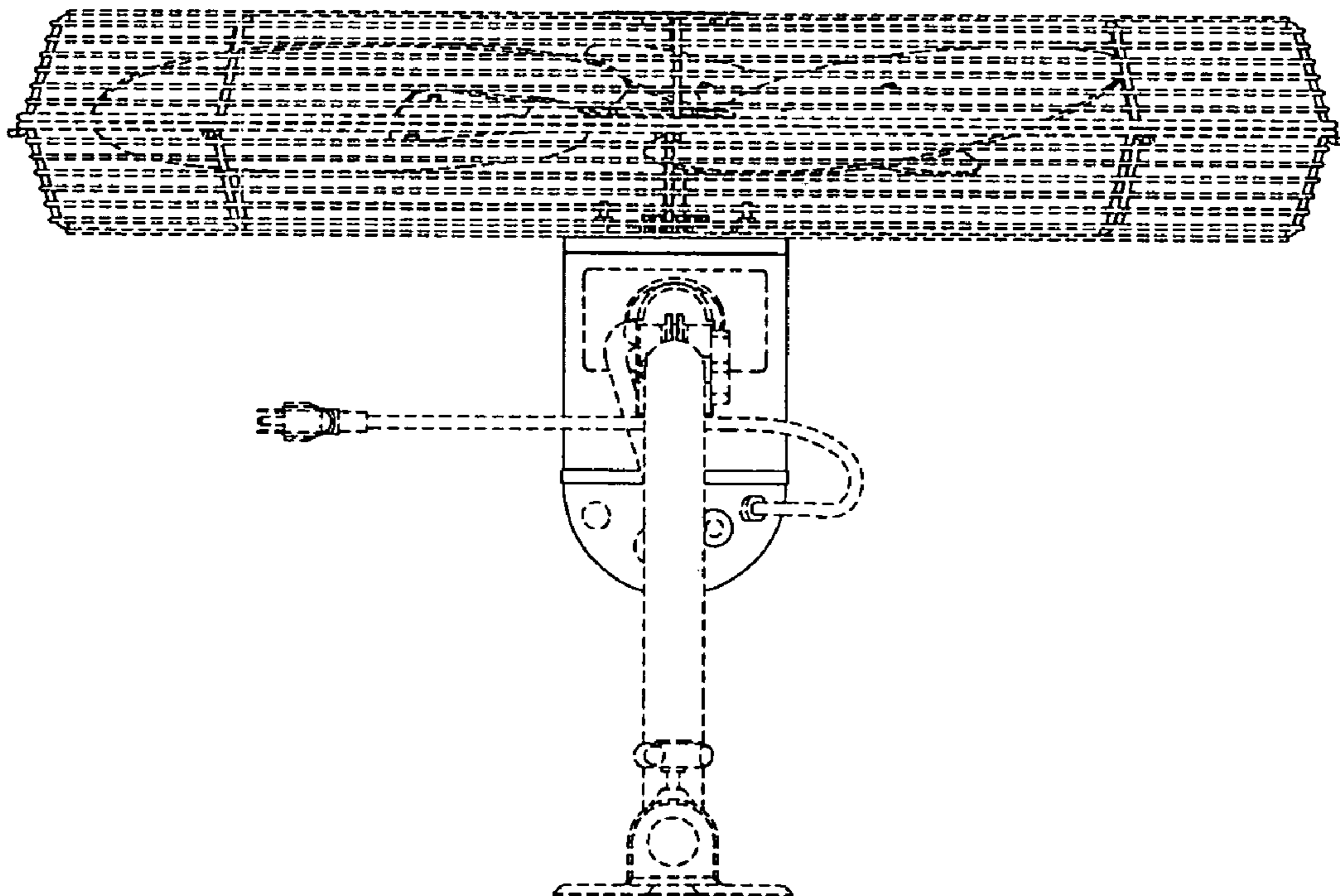


FIG. 9

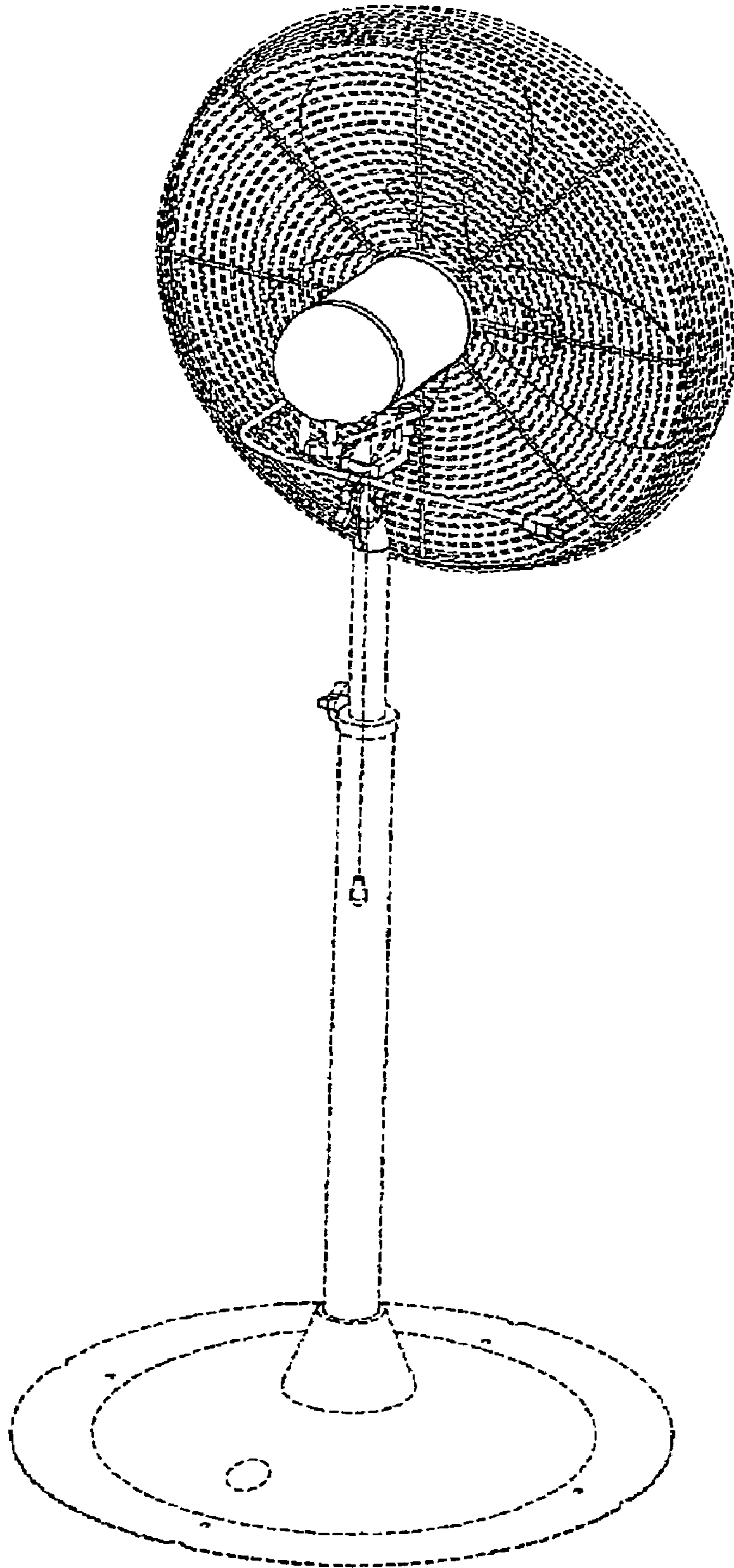


FIG. 10

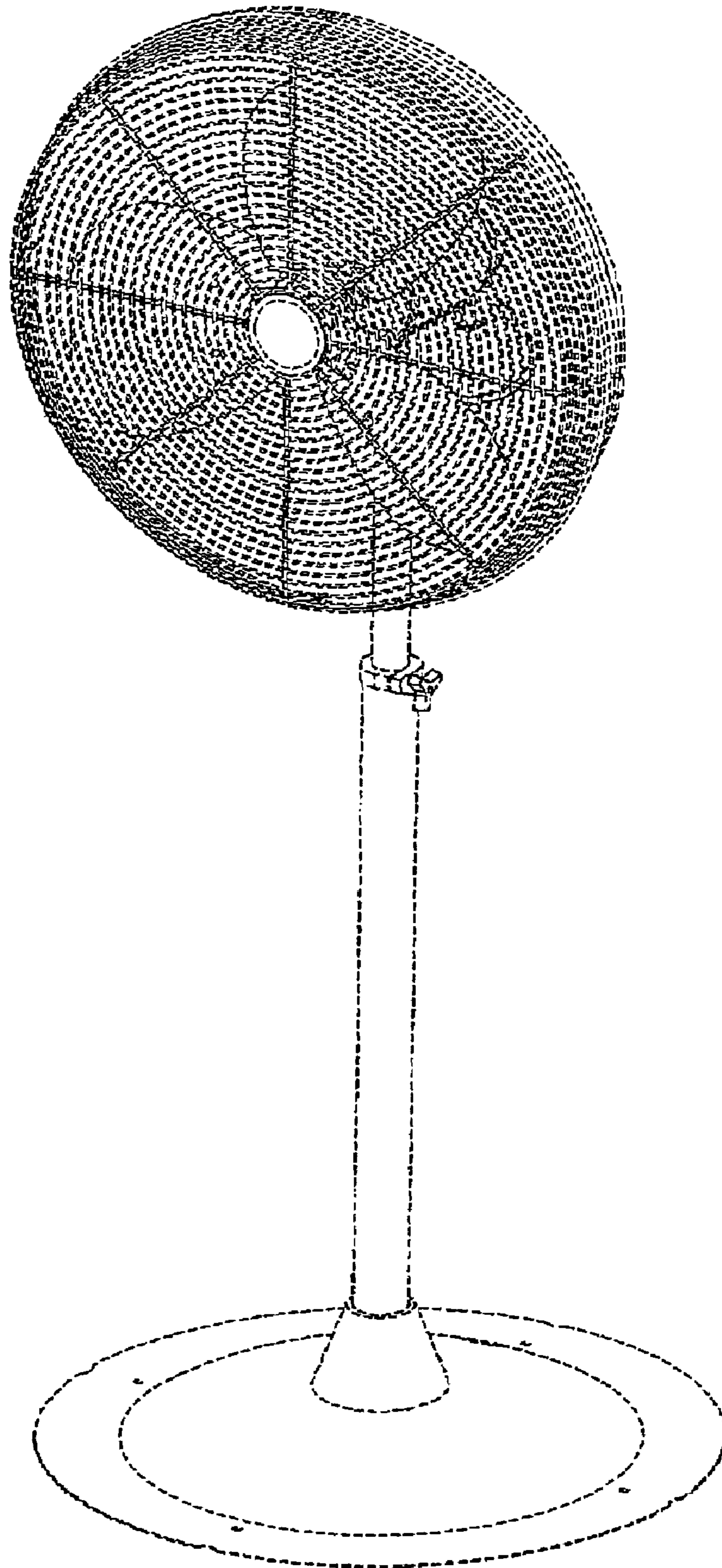


FIG. 11

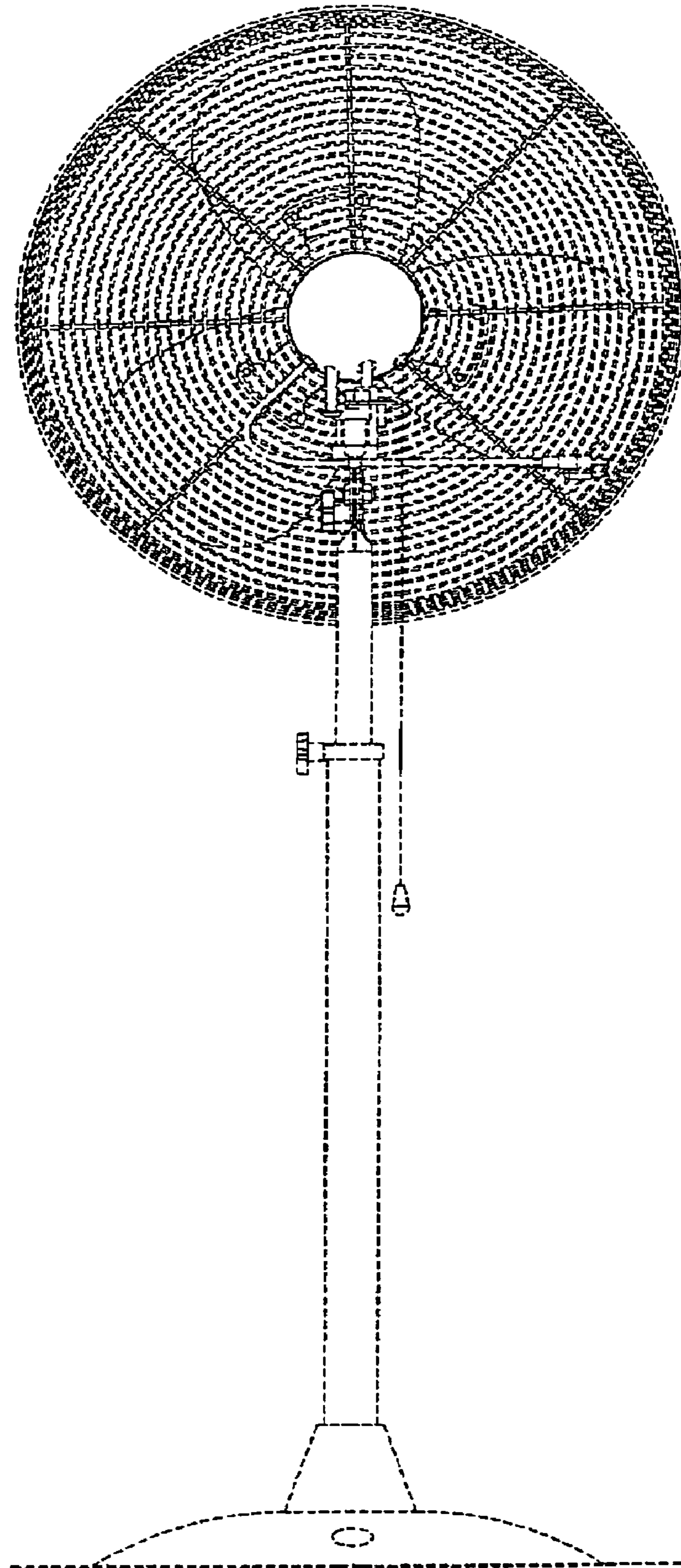


FIG. 12

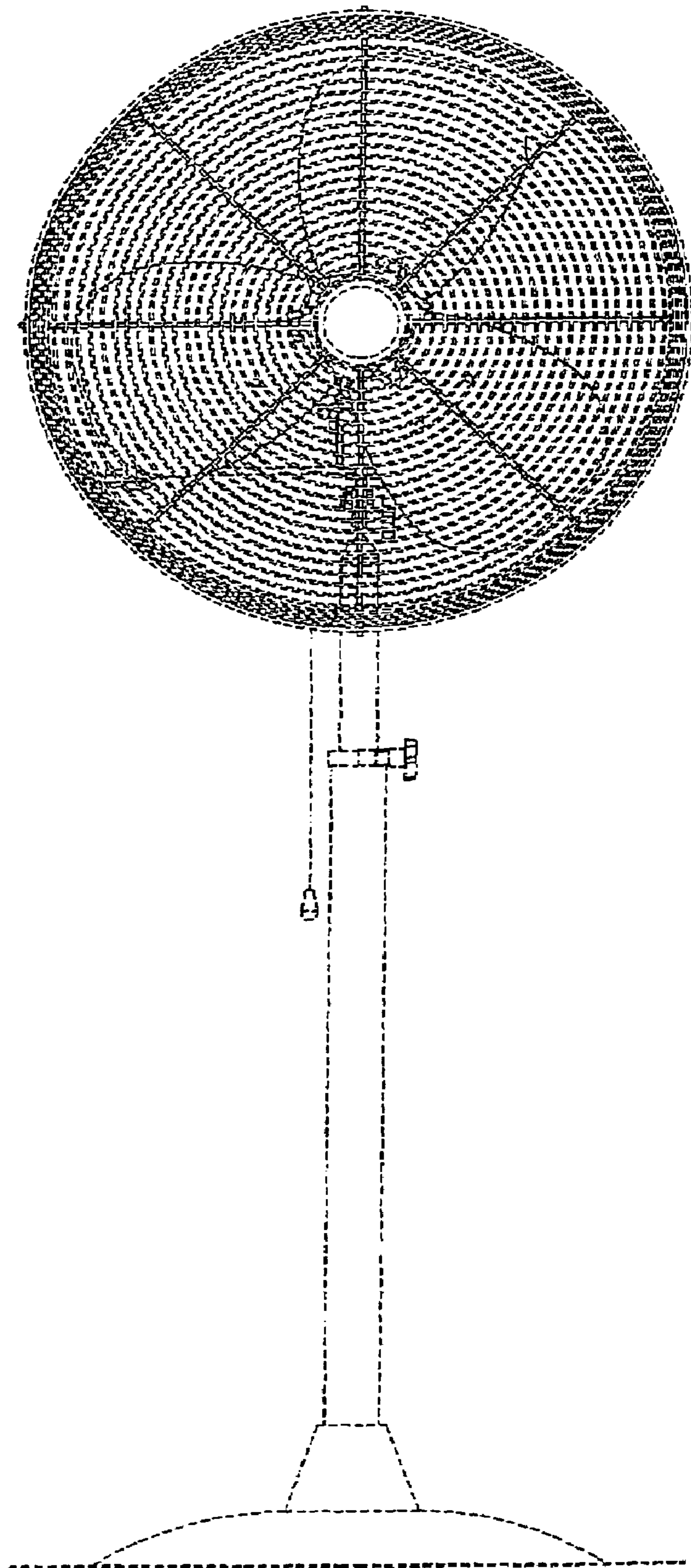


FIG. 13

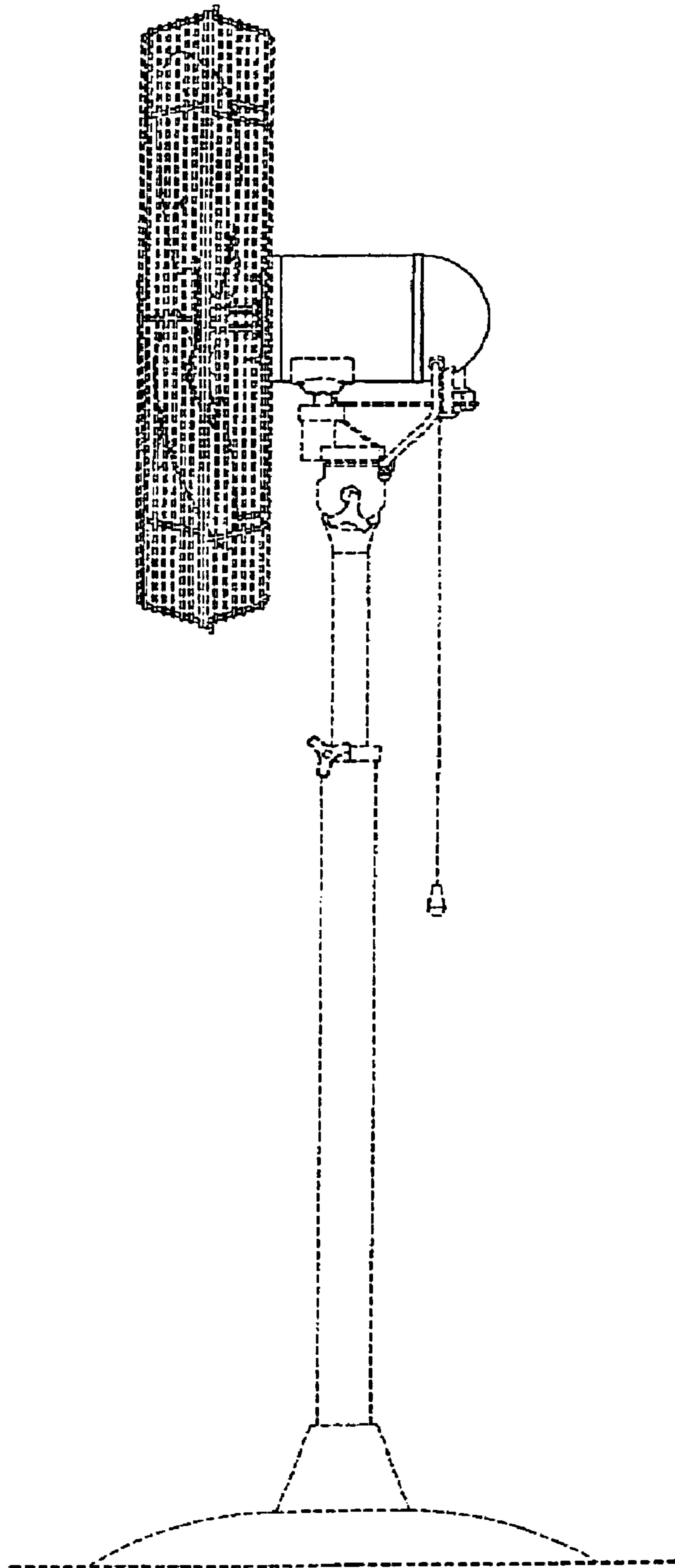


FIG. 14

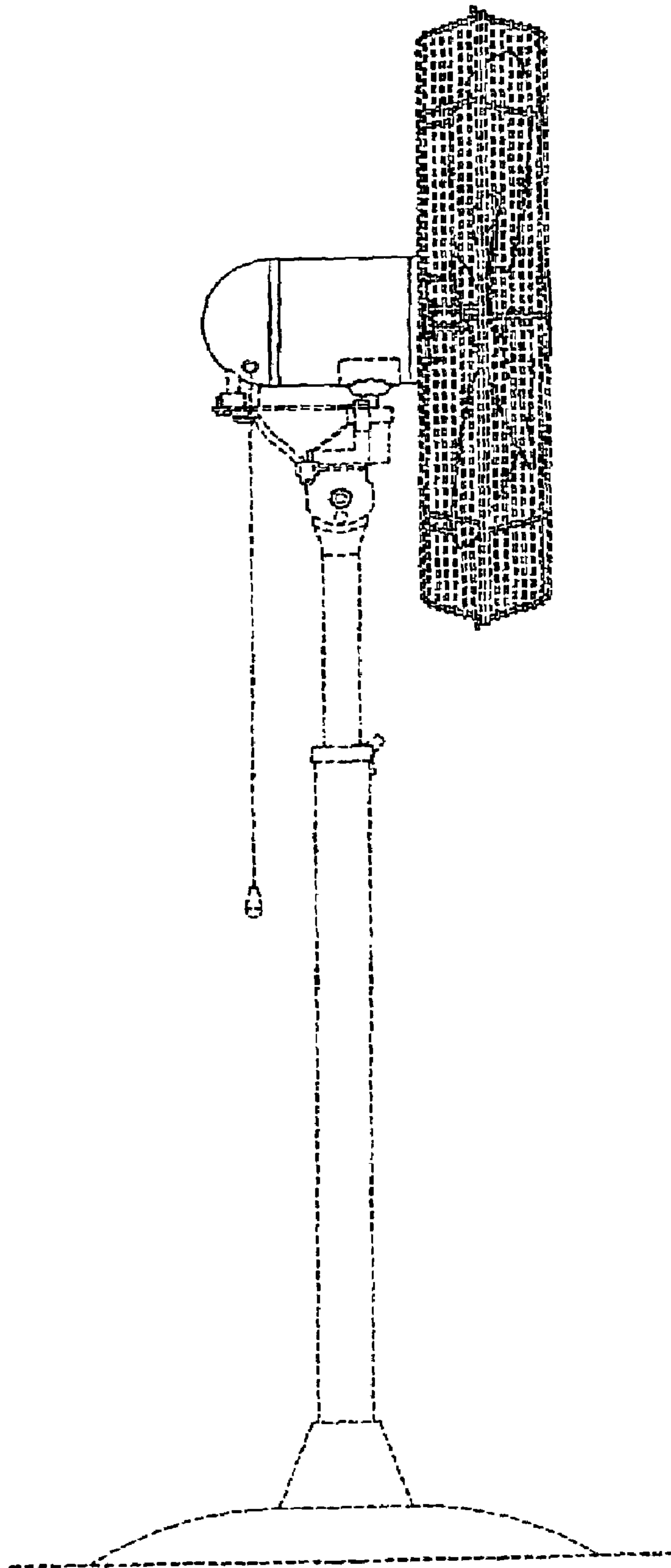


FIG. 15

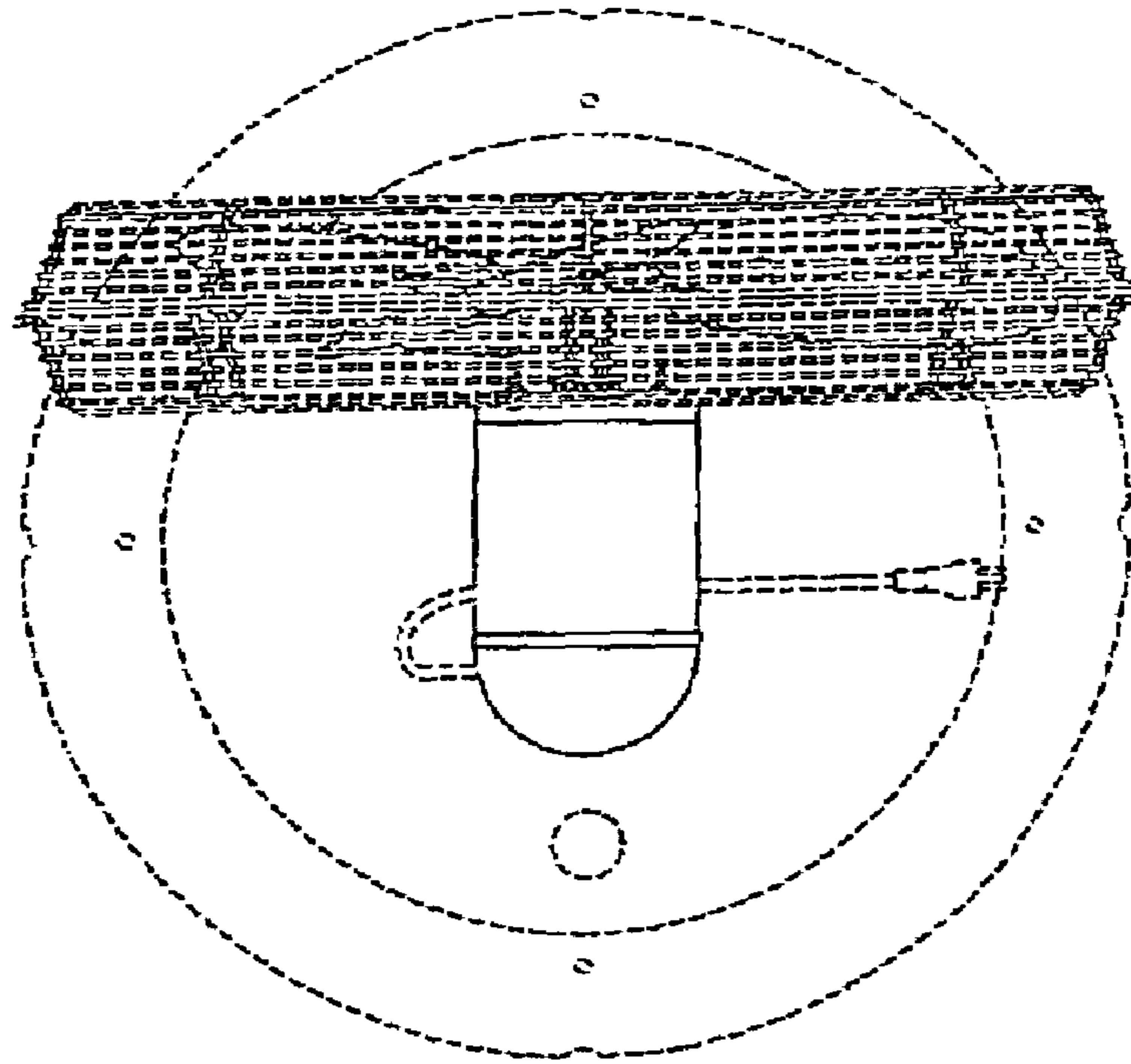
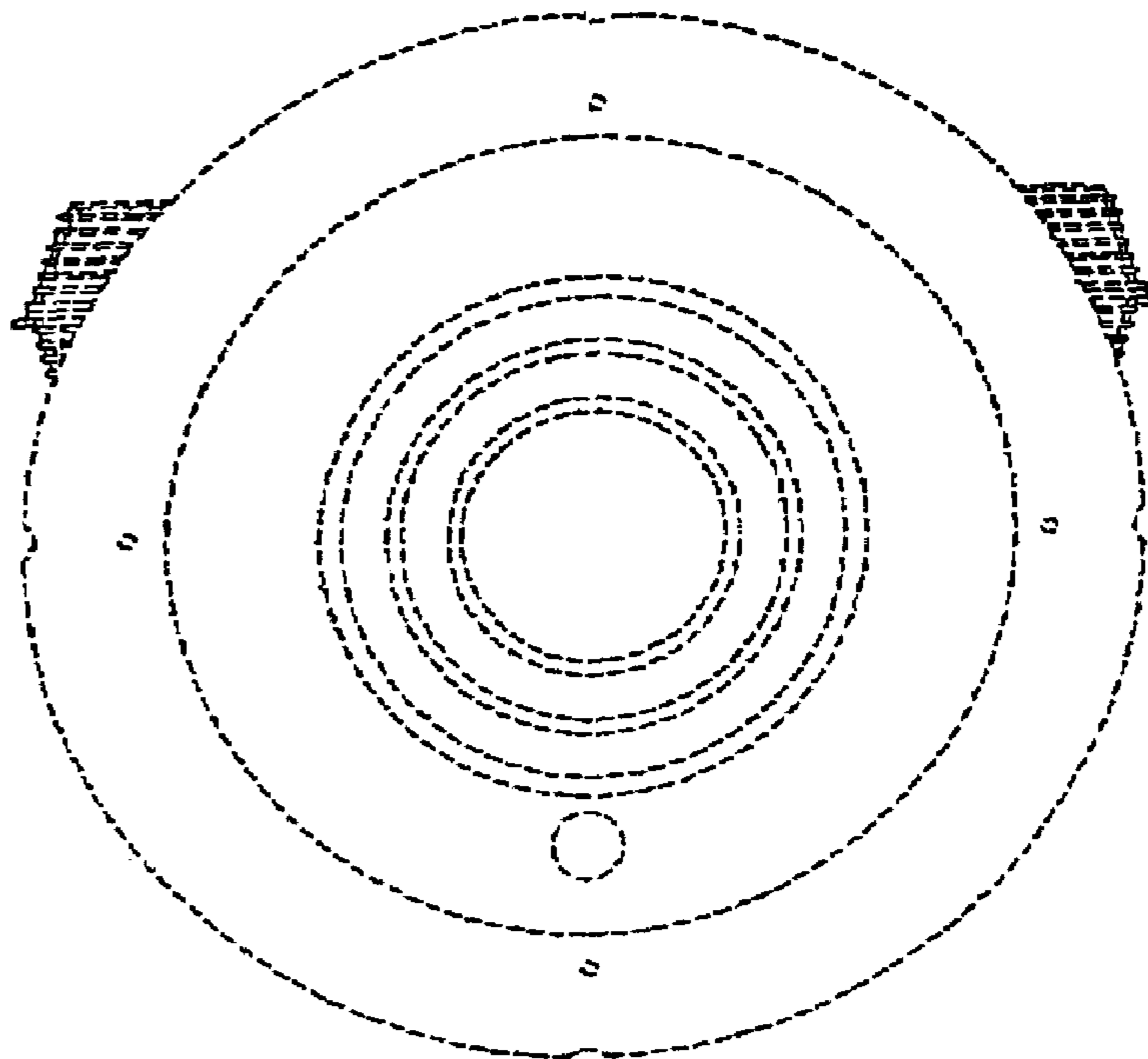


FIG. 16



UNITED STATES PATENT AND TRADEMARK OFFICE
CERTIFICATE OF CORRECTION

PATENT NO. : Des. 594,965 S
APPLICATION NO. : 29/261391
DATED : June 23, 2009
INVENTOR(S) : John C. Bucher et al.

Page 1 of 1

It is certified that error appears in the above-identified patent and that said Letters Patent is hereby corrected as shown below:

Title Page, Item (73) Assignee: should read, Chien Luen Industries Co., Ltd., Inc.

Signed and Sealed this

Seventeenth Day of November, 2009



David J. Kappos
Director of the United States Patent and Trademark Office