



US00D594962S

(12) **United States Design Patent**
Lewis

(10) **Patent No.:** **US D594,962 S**

(45) **Date of Patent:** **** Jun. 23, 2009**

(54) **PORTABLE AIR CIRCULATOR**

(75) Inventor: **William Lewis**, Denver, PA (US)

(73) Assignee: **Lasko Holdings, Inc.**, Wilmington (DE)

(**) Term: **14 Years**

(21) Appl. No.: **29/308,971**

(22) Filed: **Jul. 18, 2008**

(51) **LOC (9) Cl.** **23-04**

(52) **U.S. Cl.** **D23/383**

(58) **Field of Classification Search** D23/383,
D23/370, 411; 415/204, 206, 213.1, 214.1
See application file for complete search history.

(56) **References Cited**

U.S. PATENT DOCUMENTS

D482,772 S	*	11/2003	Dooley	D23/383
D566,823 S	*	4/2008	Lewis	D23/383
D579,100 S	*	10/2008	Lin	D23/383

* cited by examiner

Primary Examiner—Lisa P Lichtenstein
(74) *Attorney, Agent, or Firm*—Martin Fruitman

(57) **CLAIM**

The ornamental design for a portable air circulator, as shown and described.

DESCRIPTION

FIG. 1 is a right side front perspective view of a portable air circulator showing my new design;

FIG. 2 is a left side rear perspective view thereof;

FIG. 3 is a front elevation view thereof;

FIG. 4 is a right side elevation view thereof;

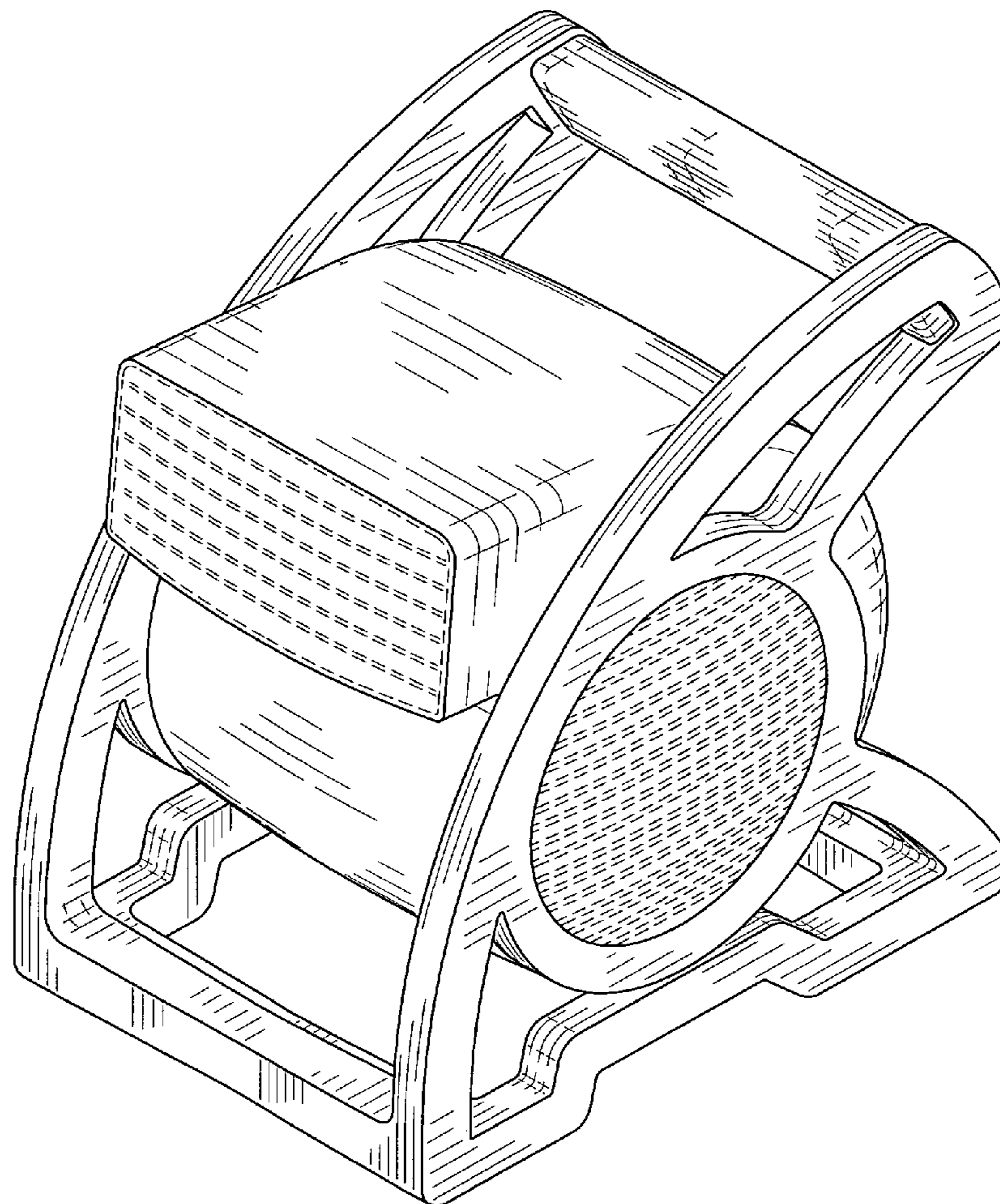
FIG. 5 is a left side elevation view thereof;

FIG. 6 is a rear elevation view thereof; and,

FIG. 7 is a top plan view thereof.

The broken line showing of portions of the air circulator is included for the purpose of illustrating environmental structure and forms no part of the claimed design.

1 Claim, 7 Drawing Sheets



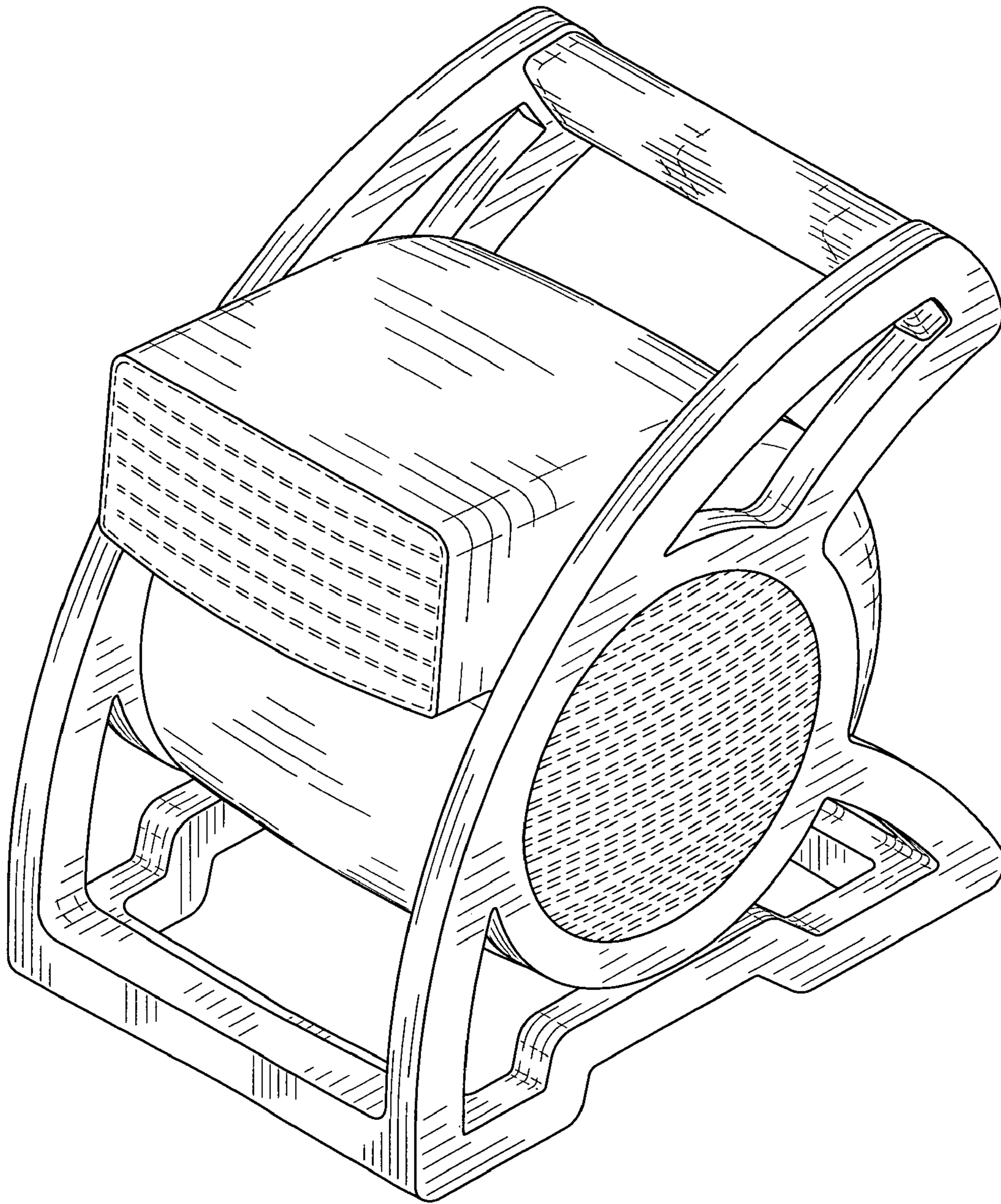


FIG. 1

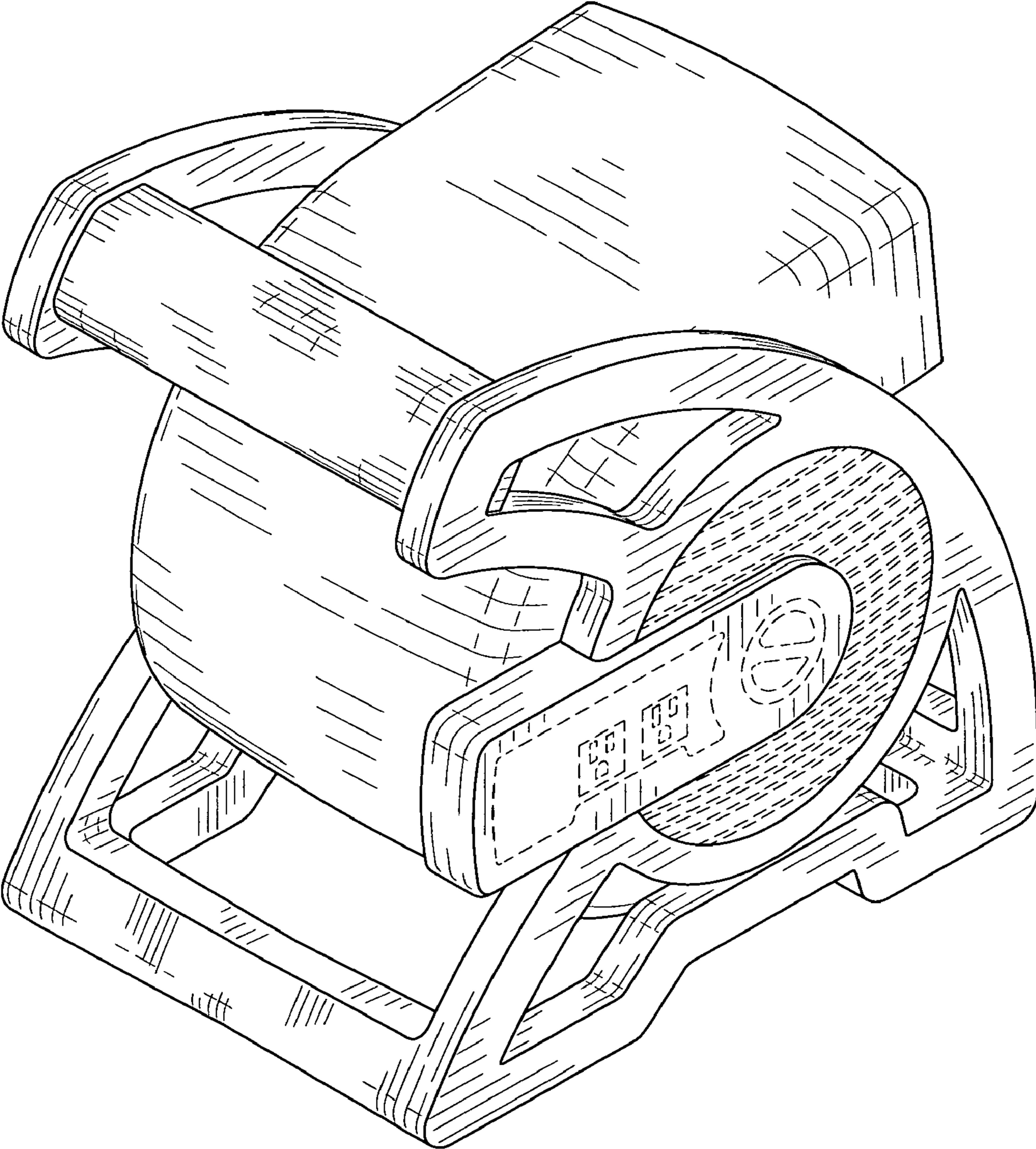


FIG. 2

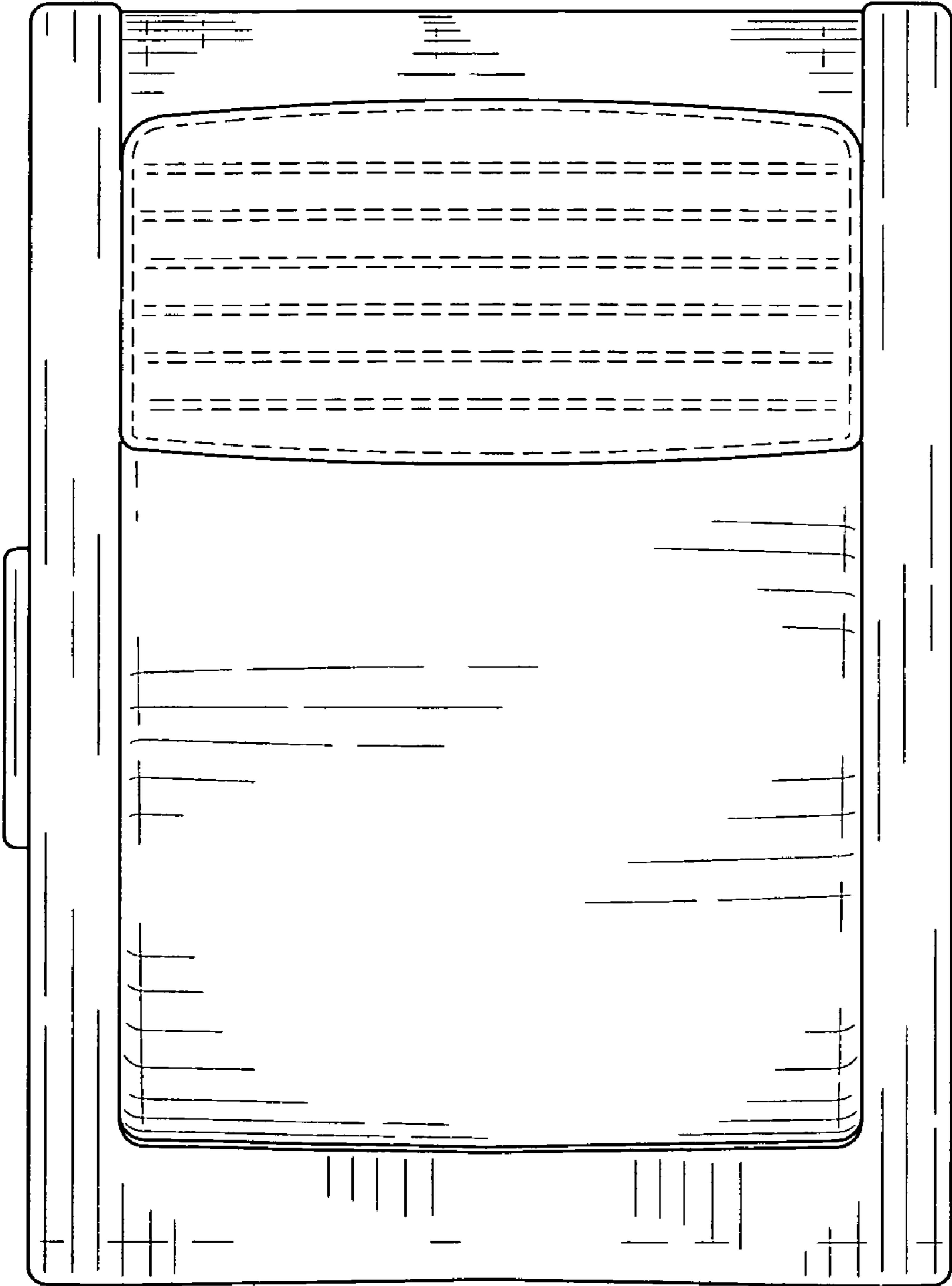


FIG. 3

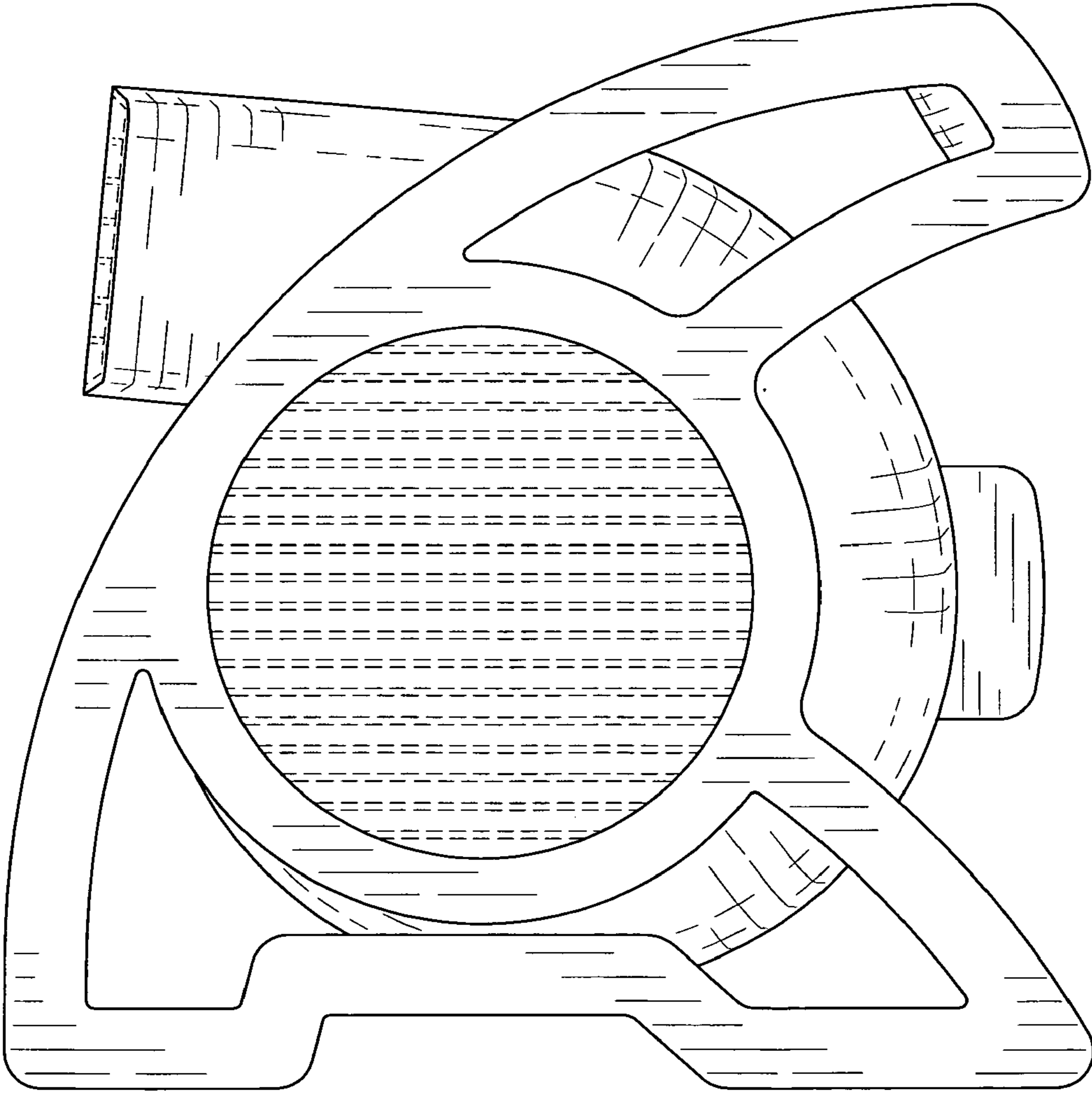


FIG. 4

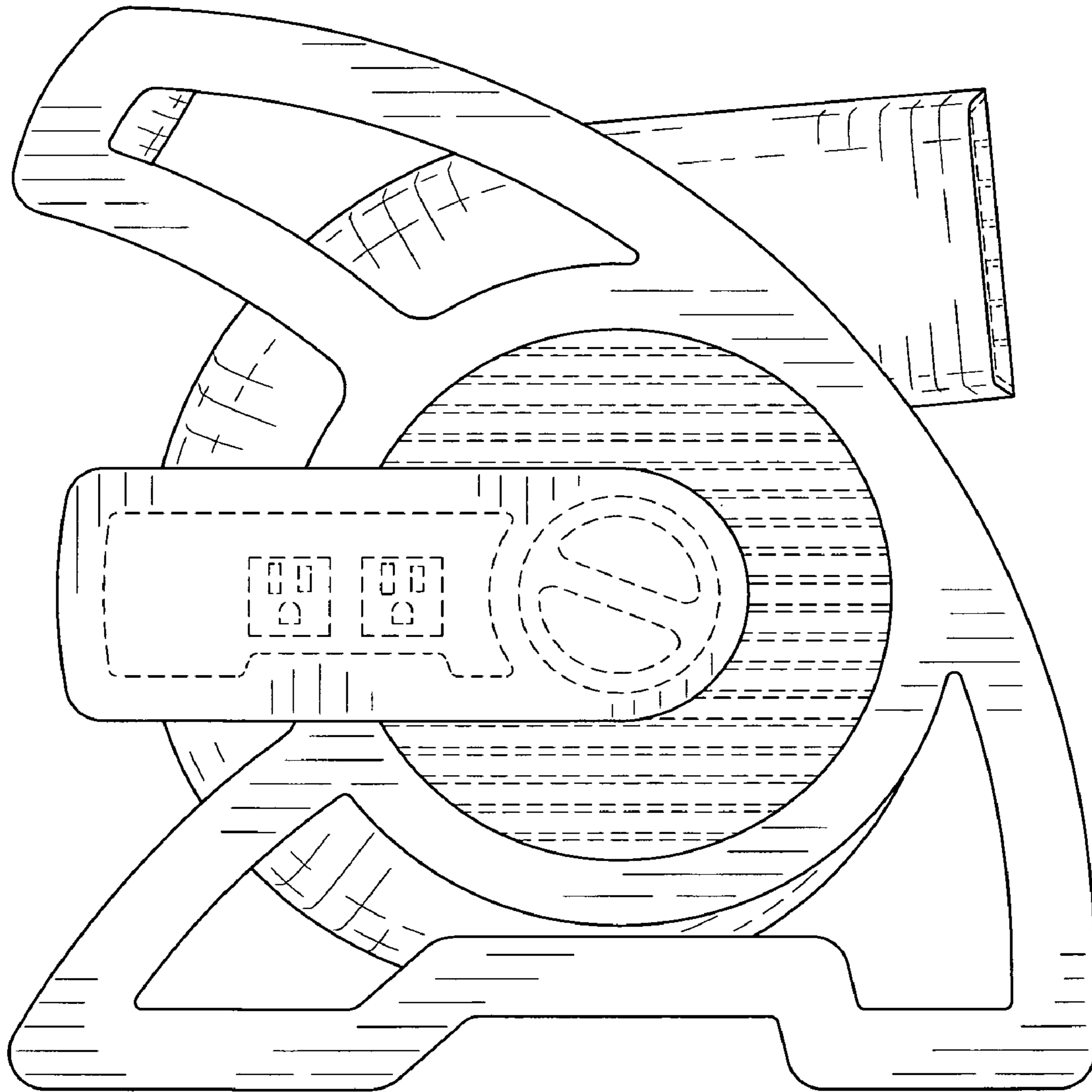


FIG. 5

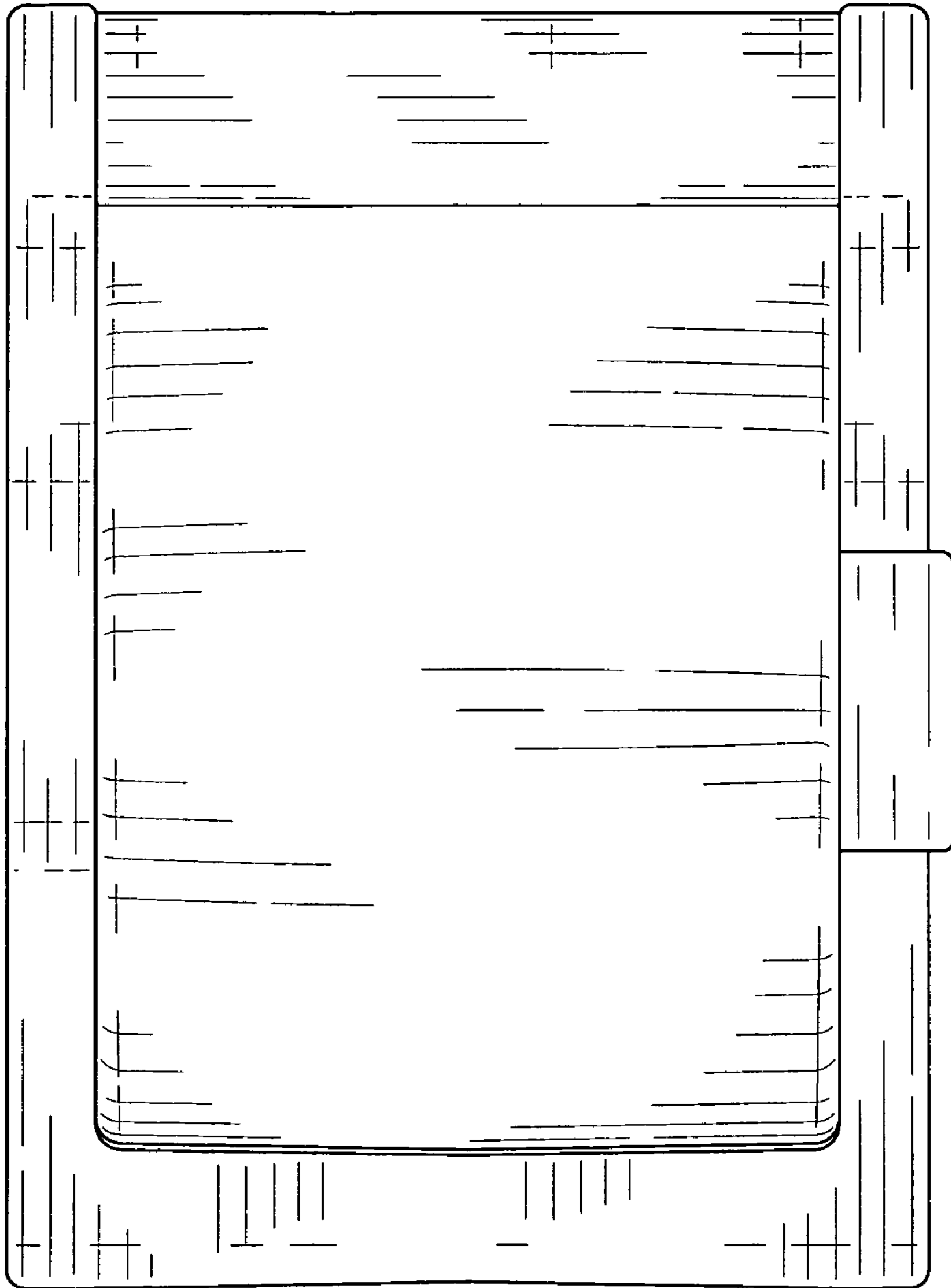


FIG. 6

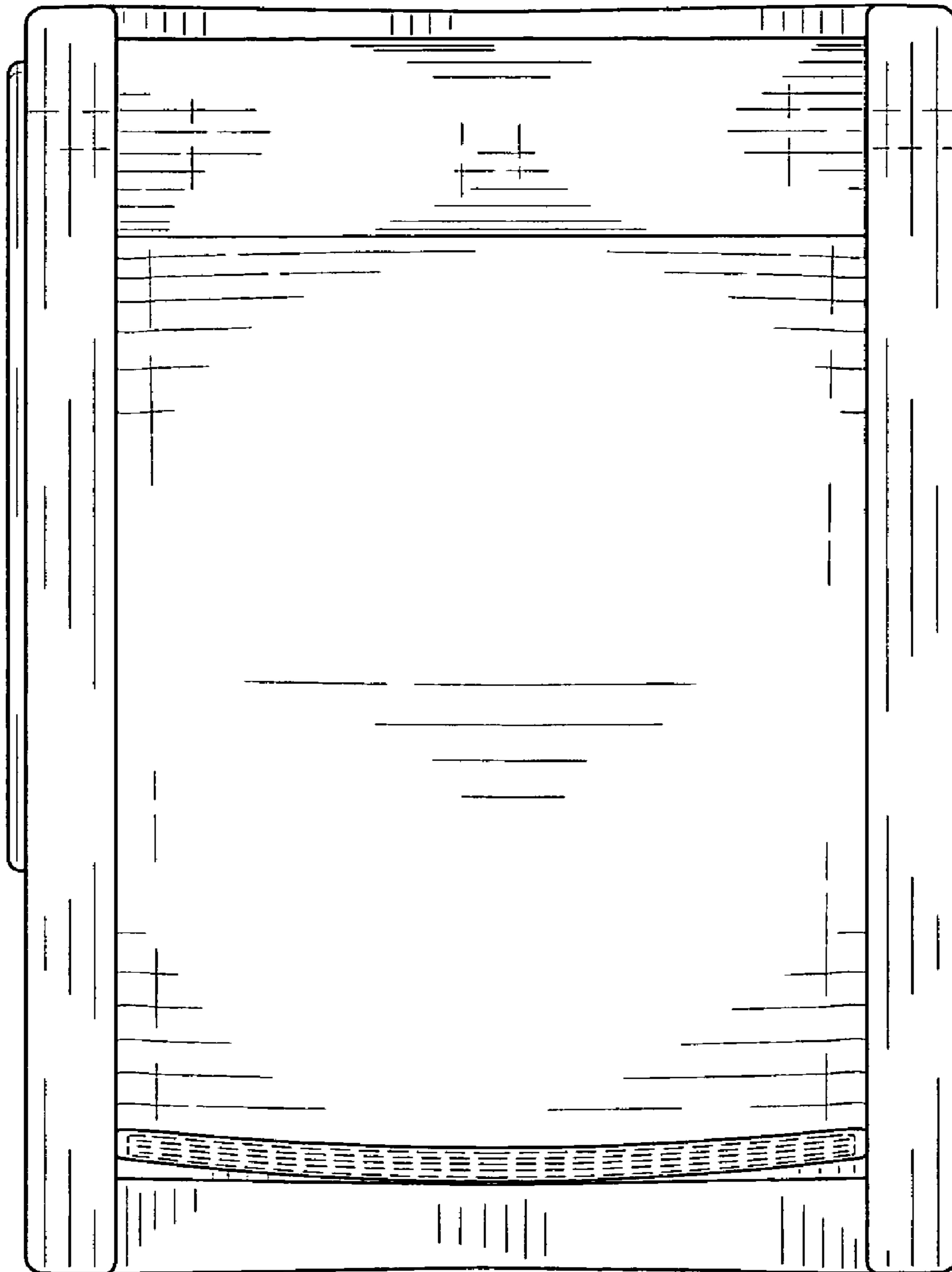


FIG. 7