



US00D594959S

(12) **United States Design Patent**
Orihara et al.

(10) **Patent No.:** **US D594,959 S**
(45) **Date of Patent:** **** Jun. 23, 2009**

(54) **FAN UNIT FOR IONIZER**

(75) Inventors: **Masayuki Orihara**, Tsukubamirai (JP);
Takayuki Toshida, Tsukubamirai (JP);
Akira Tadano, Tsukubamirai (JP)

(73) Assignee: **SMC Corporation**, Chiyoda-ku, Tokyo (JP)

(**) Term: **14 Years**

(21) Appl. No.: **29/312,433**

(22) Filed: **Oct. 20, 2008**

(30) **Foreign Application Priority Data**

Apr. 21, 2008 (JP) 2008-010242

(51) **LOC (9) Cl.** **28-99**

(52) **U.S. Cl.** **D23/381**; D23/366

(58) **Field of Classification Search** D23/355-370,
D23/381, 382, 335, 336, 338; 261/DIG. 17,
261/DIG. 42, DIG. 65, DIG. 88, DIG. 89;
239/34, 35, 37, 44, 53, 56, 57, 60, 136, 326;
392/386, 390, 394, 395; D28/5, 6

See application file for complete search history.

(56) **References Cited**

U.S. PATENT DOCUMENTS

2,611,068 A * 9/1952 Wellens 392/392
2,931,880 A * 4/1960 Yaffe 392/390
D279,815 S * 7/1985 Yuen D23/356
4,849,606 A * 7/1989 Martens et al. 392/390
D345,787 S * 4/1994 Martin D23/366
5,478,505 A * 12/1995 McElfresh et al. 261/30
5,521,357 A * 5/1996 Lock et al. 219/543

5,527,493 A * 6/1996 McElfresh et al. 261/30
D373,416 S * 9/1996 Ford et al. D23/364
D375,713 S * 11/1996 Alamian D12/191
D396,275 S * 7/1998 Pearson D23/355
D460,542 S * 7/2002 Li D23/328
D543,614 S * 5/2007 Chen D23/382

* cited by examiner

Primary Examiner—Sandra Snapp

(74) *Attorney, Agent, or Firm*—Yokoi & Co., U.S.A., Inc.;
Peter Ganjian

(57) **CLAIM**

The ornamental design for a fan unit for ionizer, as shown and described.

DESCRIPTION

FIG. 1 shows a front view of a fan unit for ionizer showing my new design;

FIG. 2 shows a rear view thereof;

FIG. 3 shows a right side view thereof;

FIG. 4 shows a left side view thereof;

FIG. 5 shows a top view thereof;

FIG. 6 shows a bottom view thereof;

FIG. 7 shows a top, front and right side perspective view thereof; and,

FIG. 8 shows a bottom, rear and left side perspective view thereof.

The broken lines shown in the drawings depict unclaimed environmental structure.

1 Claim, 4 Drawing Sheets

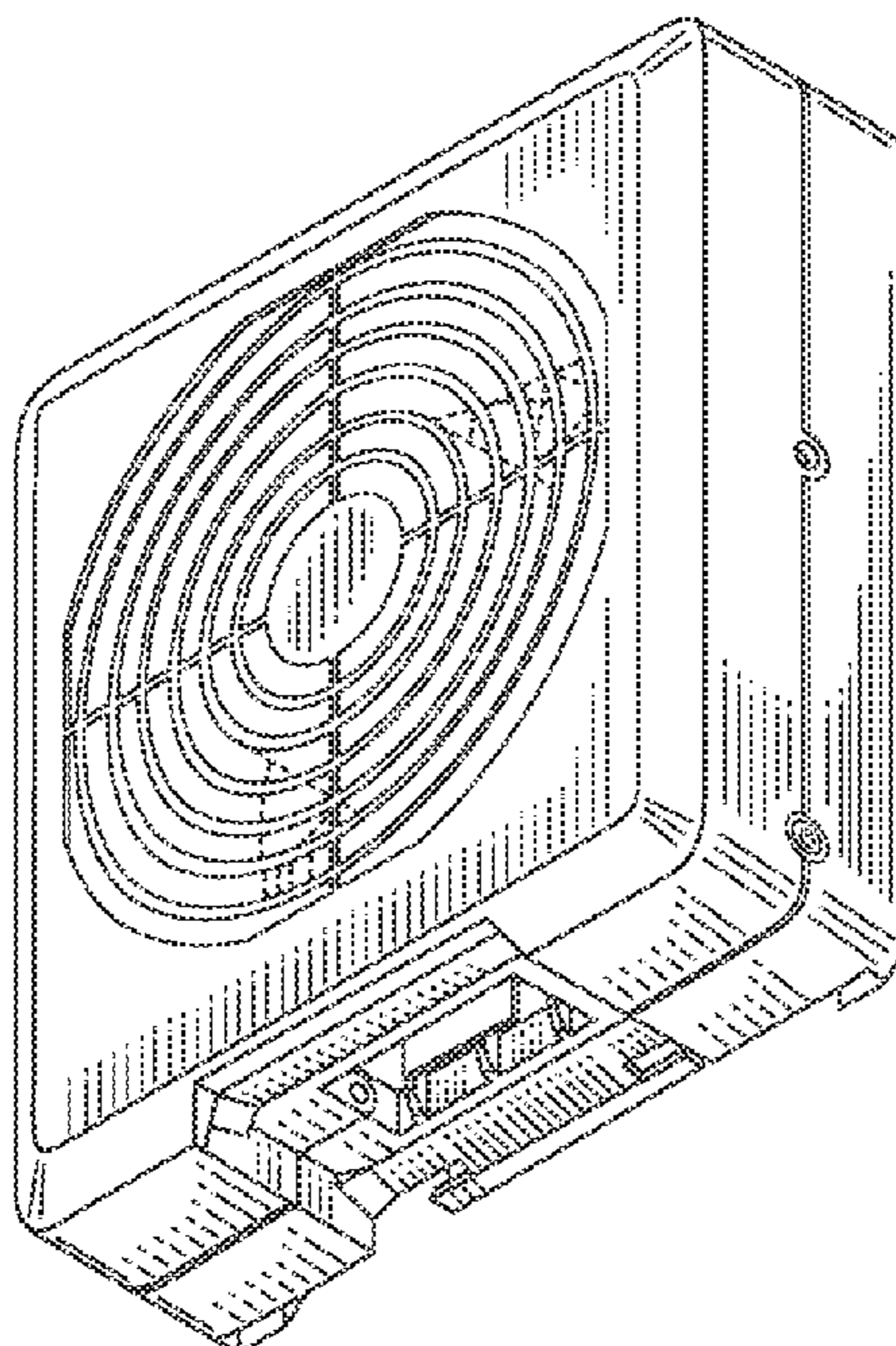


FIG. 1

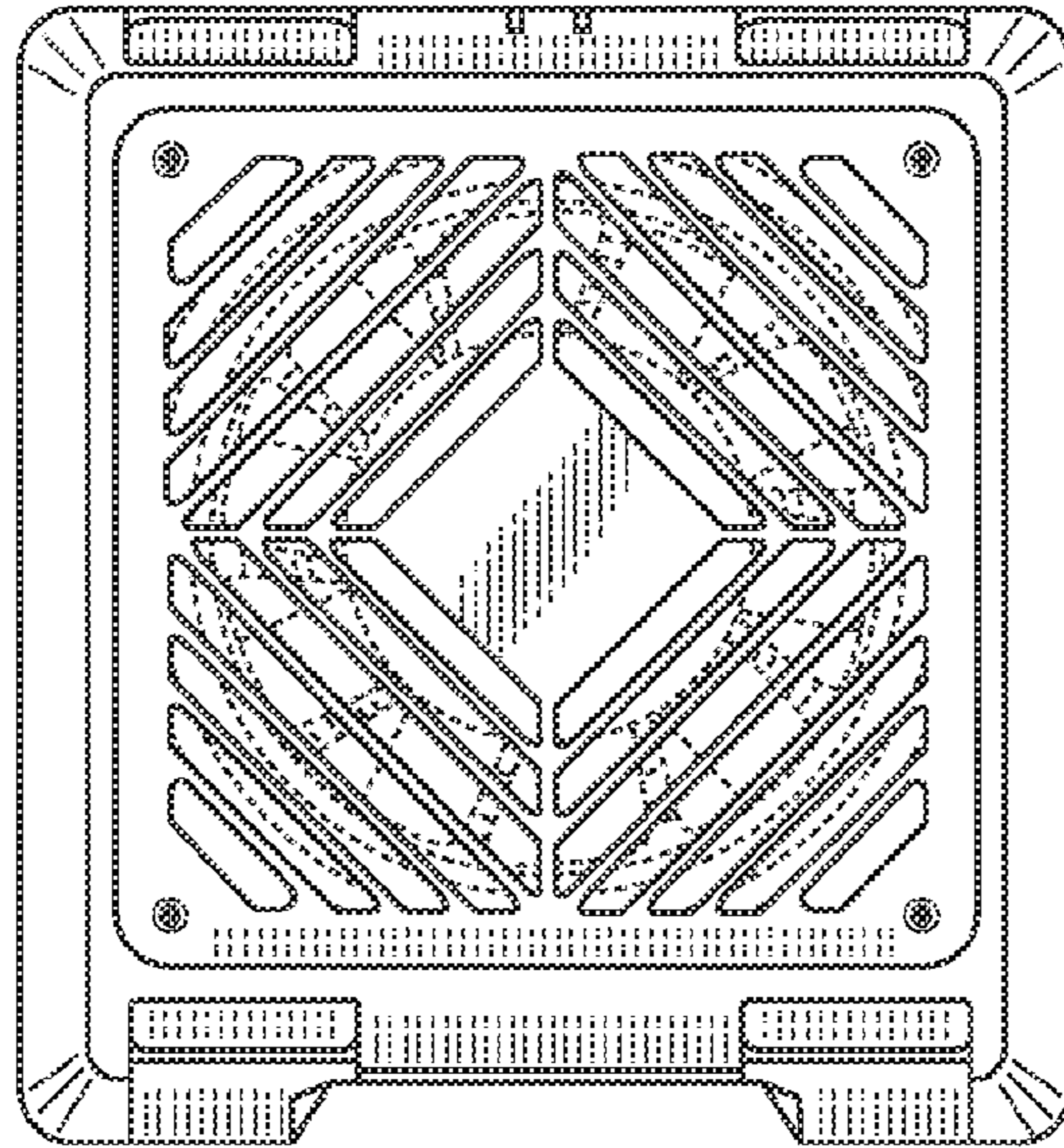


FIG. 2

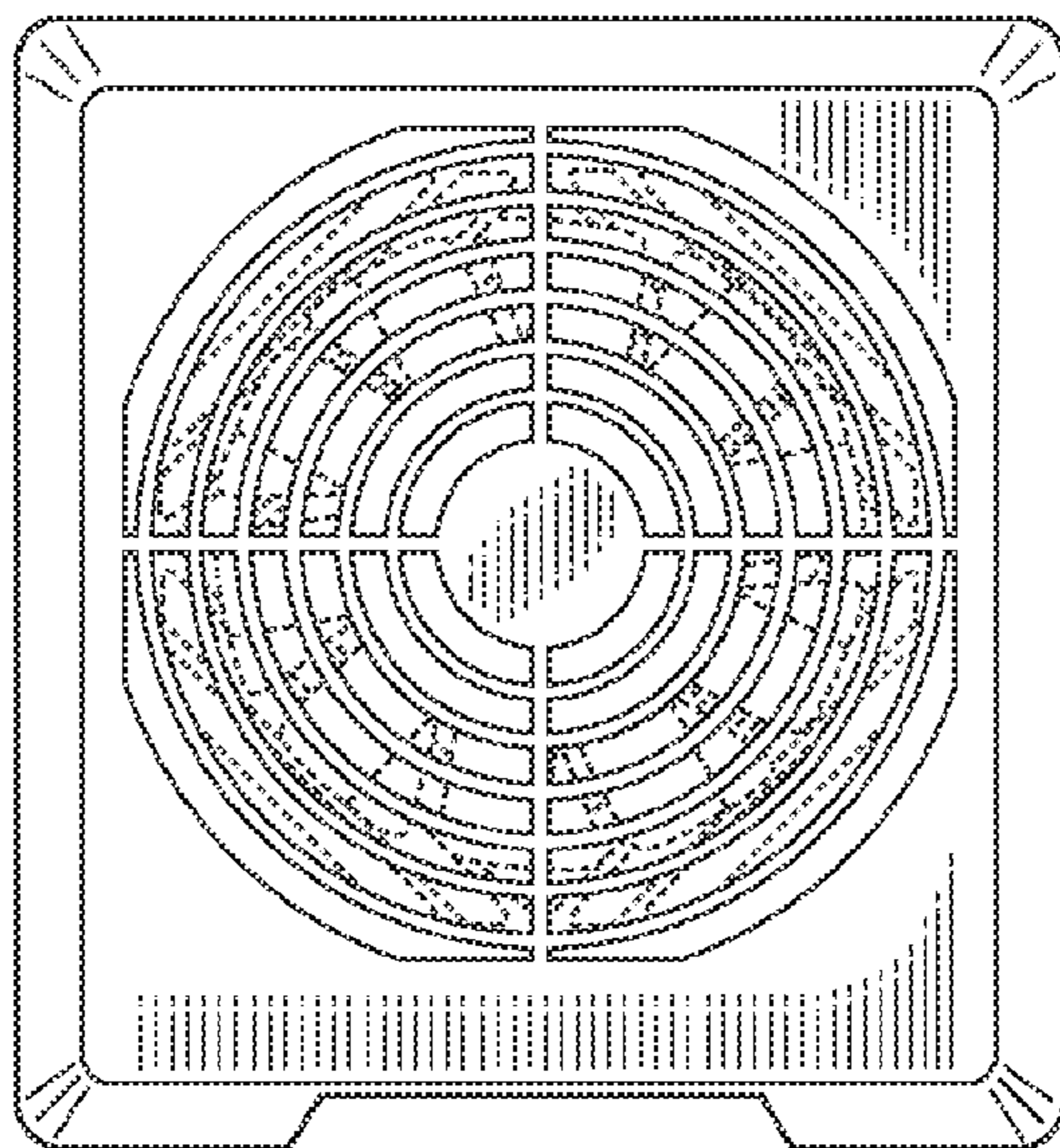


FIG. 3

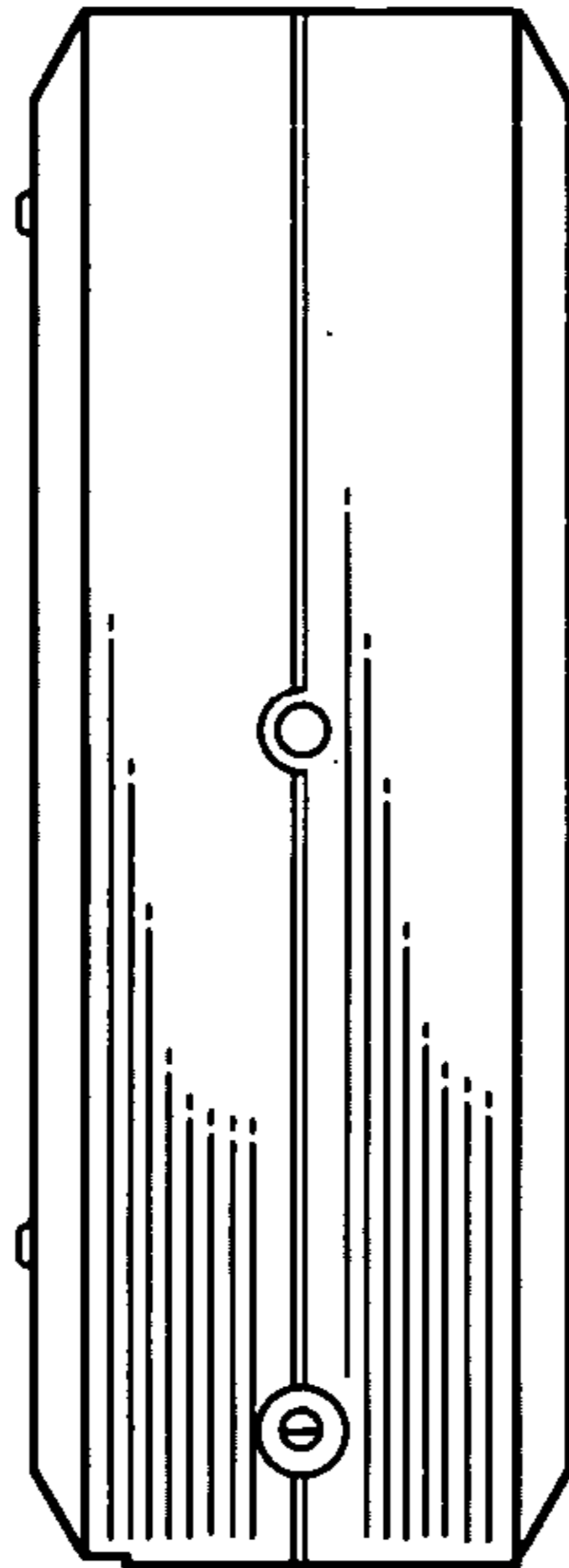


FIG. 4

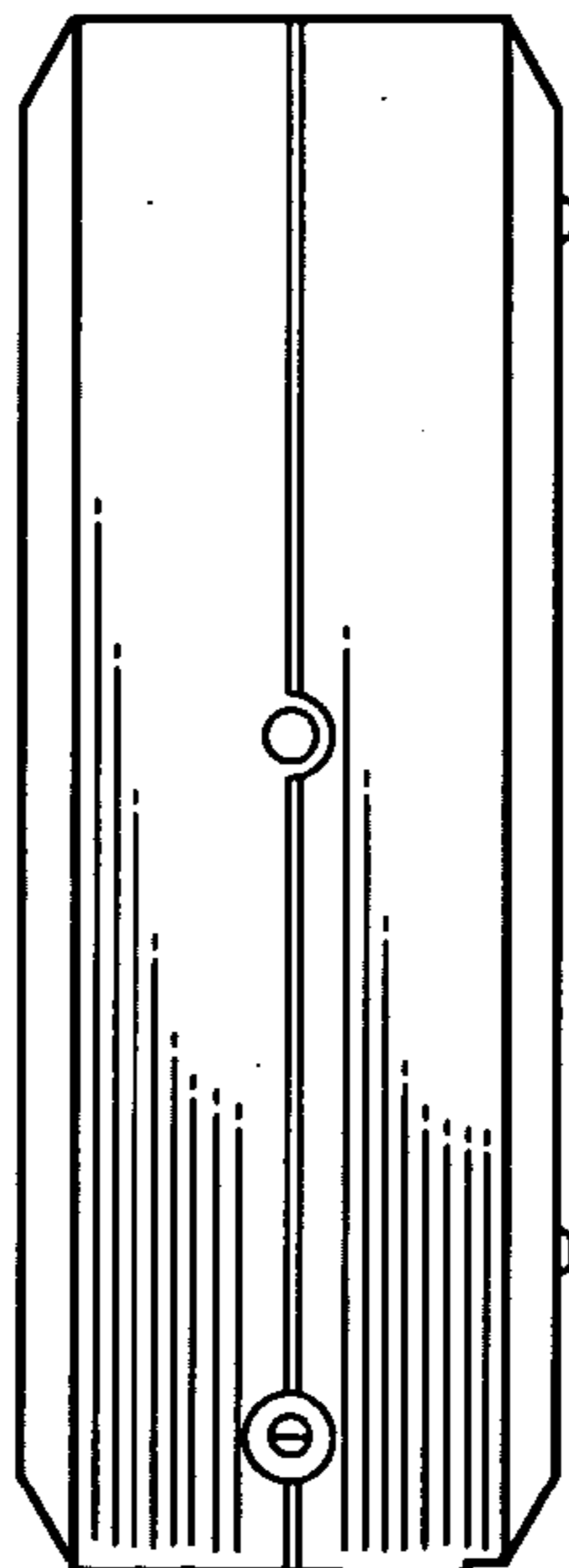


FIG. 5

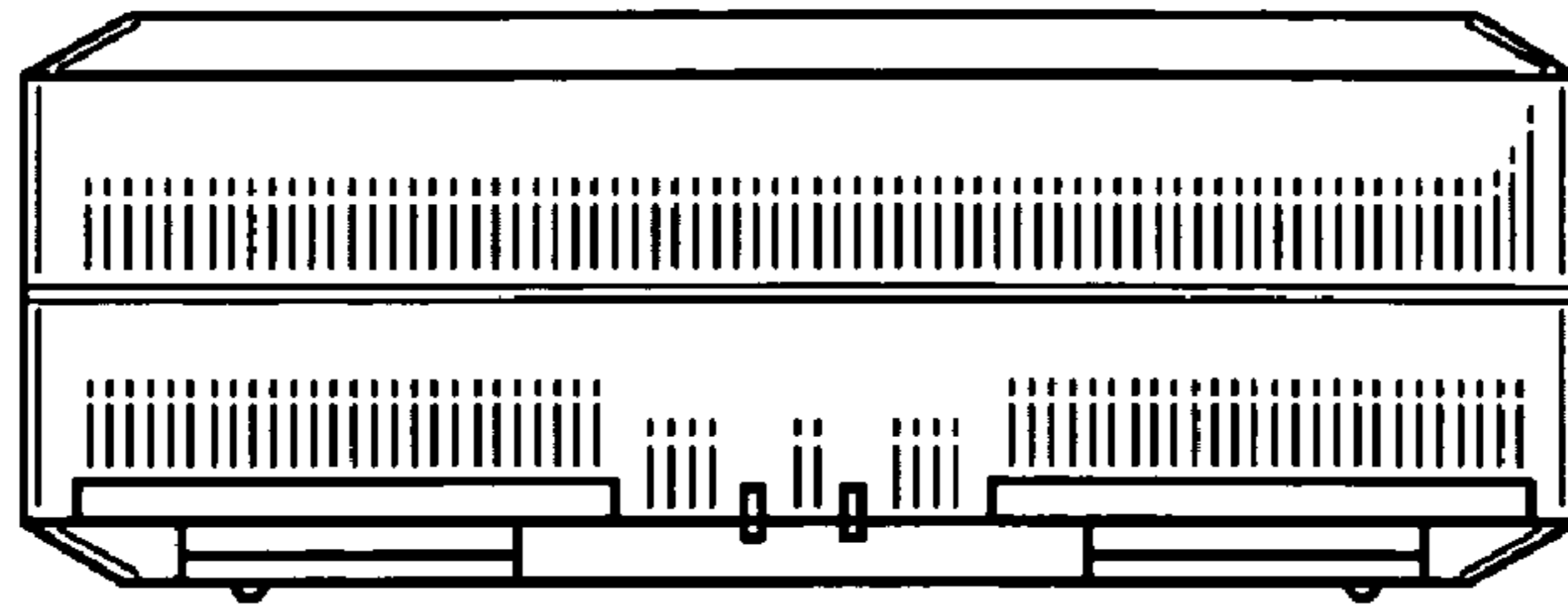


FIG. 6

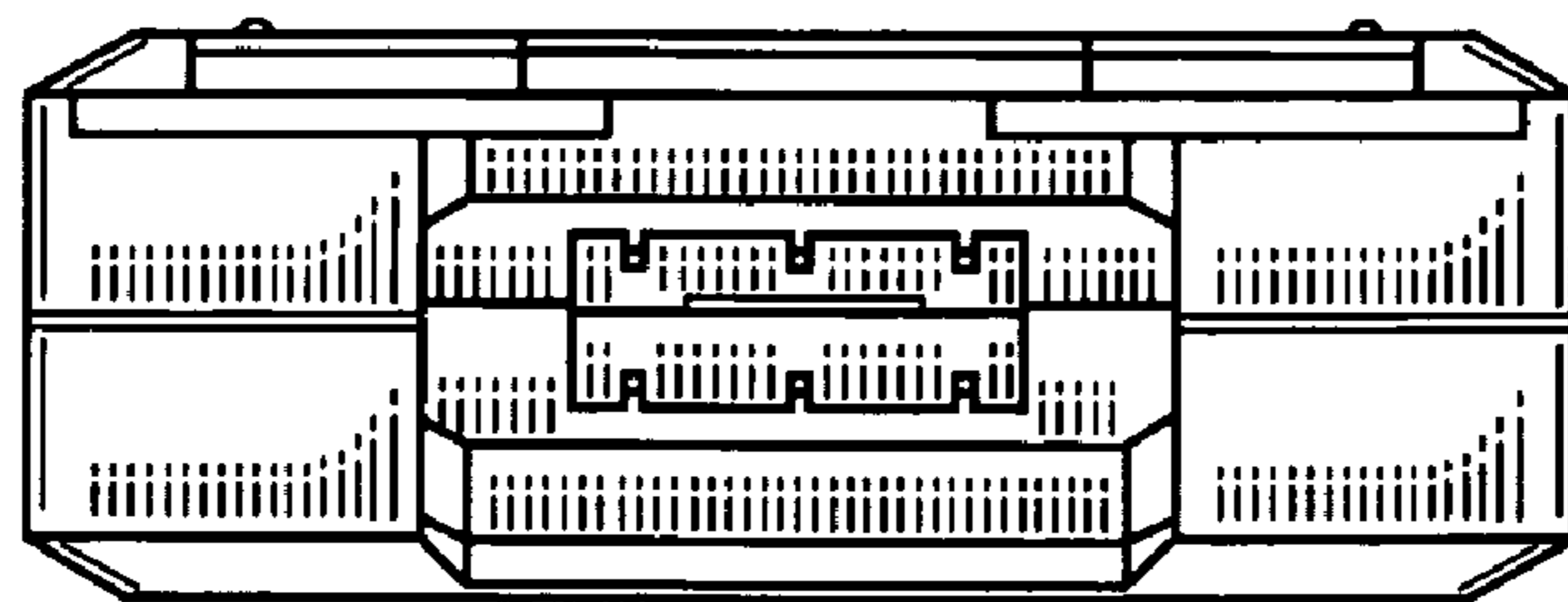


FIG. 7

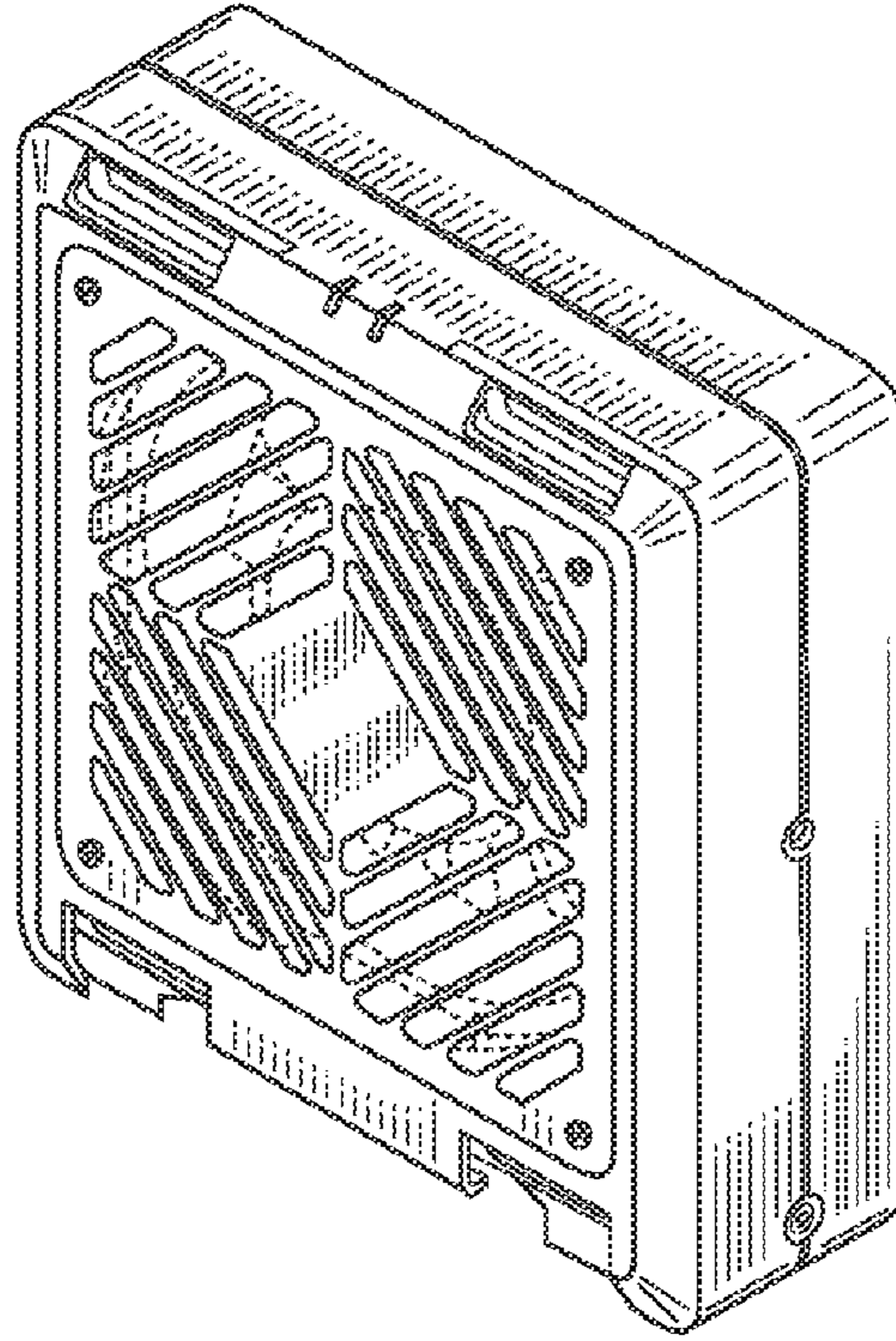


FIG. 8

