



US00D594958S

(12) **United States Design Patent**
Hidalgo

(10) **Patent No.:** **US D594,958 S**

(45) **Date of Patent:** **** Jun. 23, 2009**

(54) **COMBINATION CEILING FAN AND LIGHT FIXTURE**

Ellington Internet Catalog; Wrought Iron; Model #WR152ABZ5LKRCRD; printed from hansenwholesale.com on May 10, 2008.

(75) Inventor: **Rolando Hidalgo**, Yorba Linda, CA (US)

* cited by examiner

(73) Assignee: **Minka Lighting, Inc.**, Corona, CA (US)

Primary Examiner—Lisa P Lichtenstein

(74) *Attorney, Agent, or Firm*—Baker & McKenzie LLP

(**) Term: **14 Years**

(57) **CLAIM**

(21) Appl. No.: **29/319,981**

The ornamental design for a combination ceiling fan and light fixture, as shown and described.

(22) Filed: **Jun. 18, 2008**

(51) **LOC (9) Cl.** **23-04**

(52) **U.S. Cl.** **D23/377; D26/59**

(58) **Field of Classification Search** D23/377,
D23/379, 385, 411, 413; D26/59, 71, 81-86,
D26/88, 51; 362/96

See application file for complete search history.

DESCRIPTION

FIG. 1 is a bottom perspective view of a combination ceiling fan and light fixture in accordance with my design;

FIG. 2 is a reduced top plan view of the combination ceiling fan and light fixture in accordance with my design;

FIG. 3 is a reduced bottom plan view of the combination ceiling fan and light fixture in accordance with my design;

FIG. 4 is an enlarged front elevation view of the combination ceiling fan and light fixture in accordance with my design;

FIG. 5 is an enlarged back elevation view of the combination ceiling fan and light fixture in accordance with my design; and,

FIG. 6 is an enlarged side elevation plan view of the combination ceiling fan and light fixture in accordance with my design, the opposite side being a mirror image of that shown except for the position of the fan blades.

The broken line showing a canopy and support pole is included for the purpose of illustrating environmental structure and forms no part of the claimed design.

(56) **References Cited**

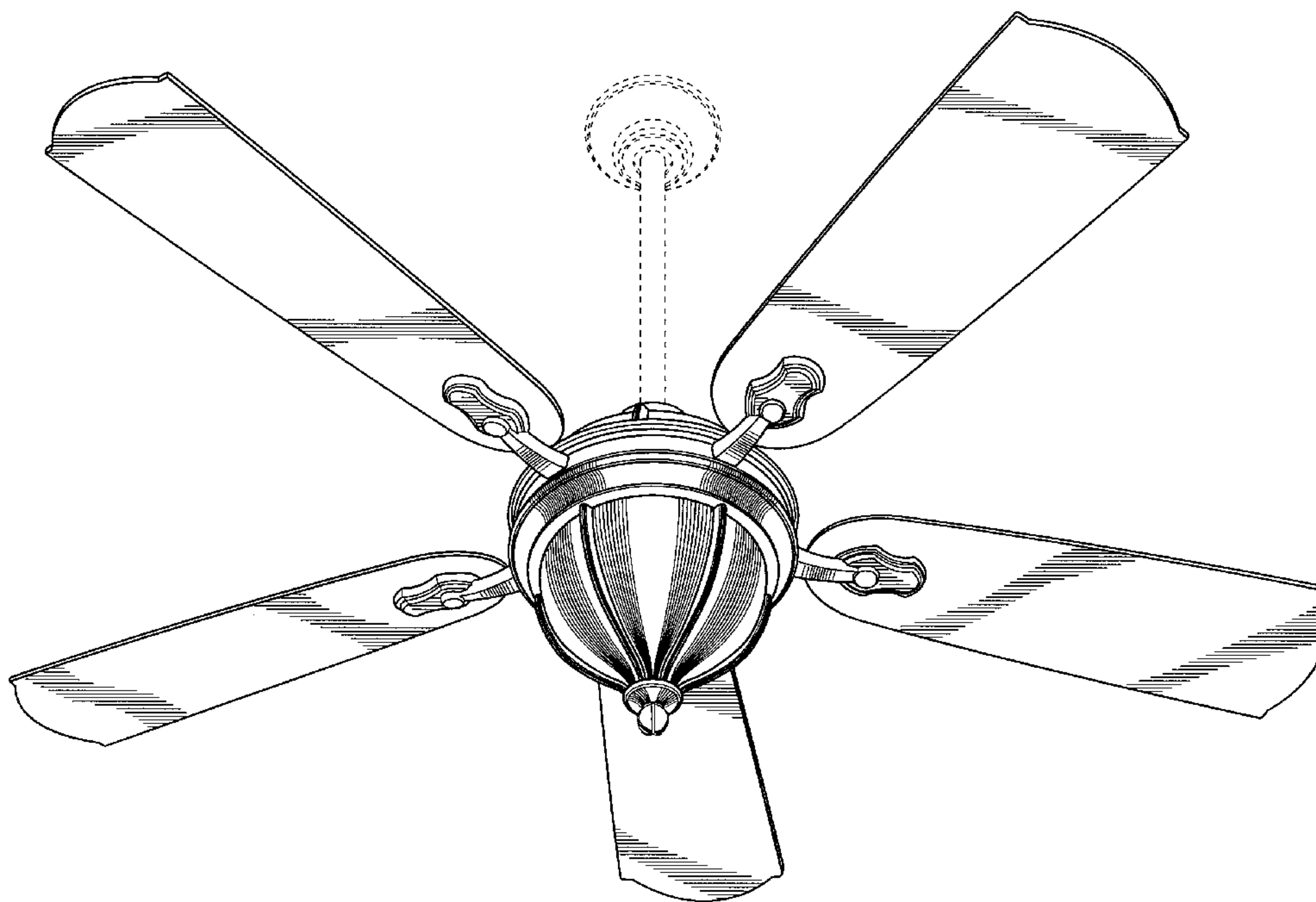
U.S. PATENT DOCUMENTS

- D376,421 S * 12/1996 Jaspers-Fayer D23/377
- D408,073 S * 4/1999 Tai D23/377
- D408,074 S * 4/1999 Tai D23/377
- D532,139 S * 11/2006 Shurtleff D26/59

OTHER PUBLICATIONS

Monte Carlo Internet Catalog; Grand Isle; Model #5GIR54RBD; printed from hansenwholesale.com on May 10, 2008.
Ellington Internet Catalog; Riviera; Model #RIV52ABZ5LKRCRD; printed from hansenwholesale.com on May 10, 2008.

1 Claim, 6 Drawing Sheets



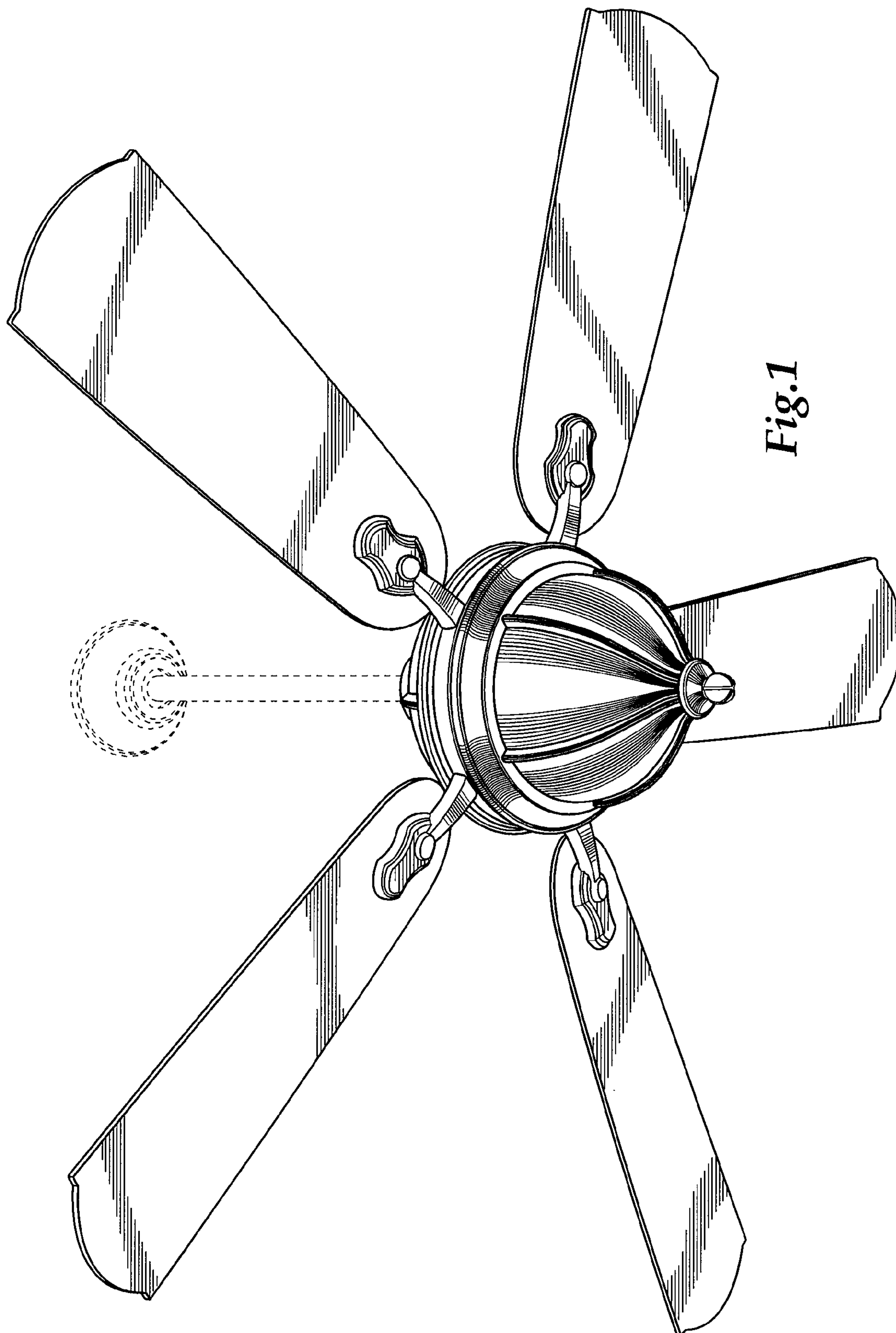


Fig. 1

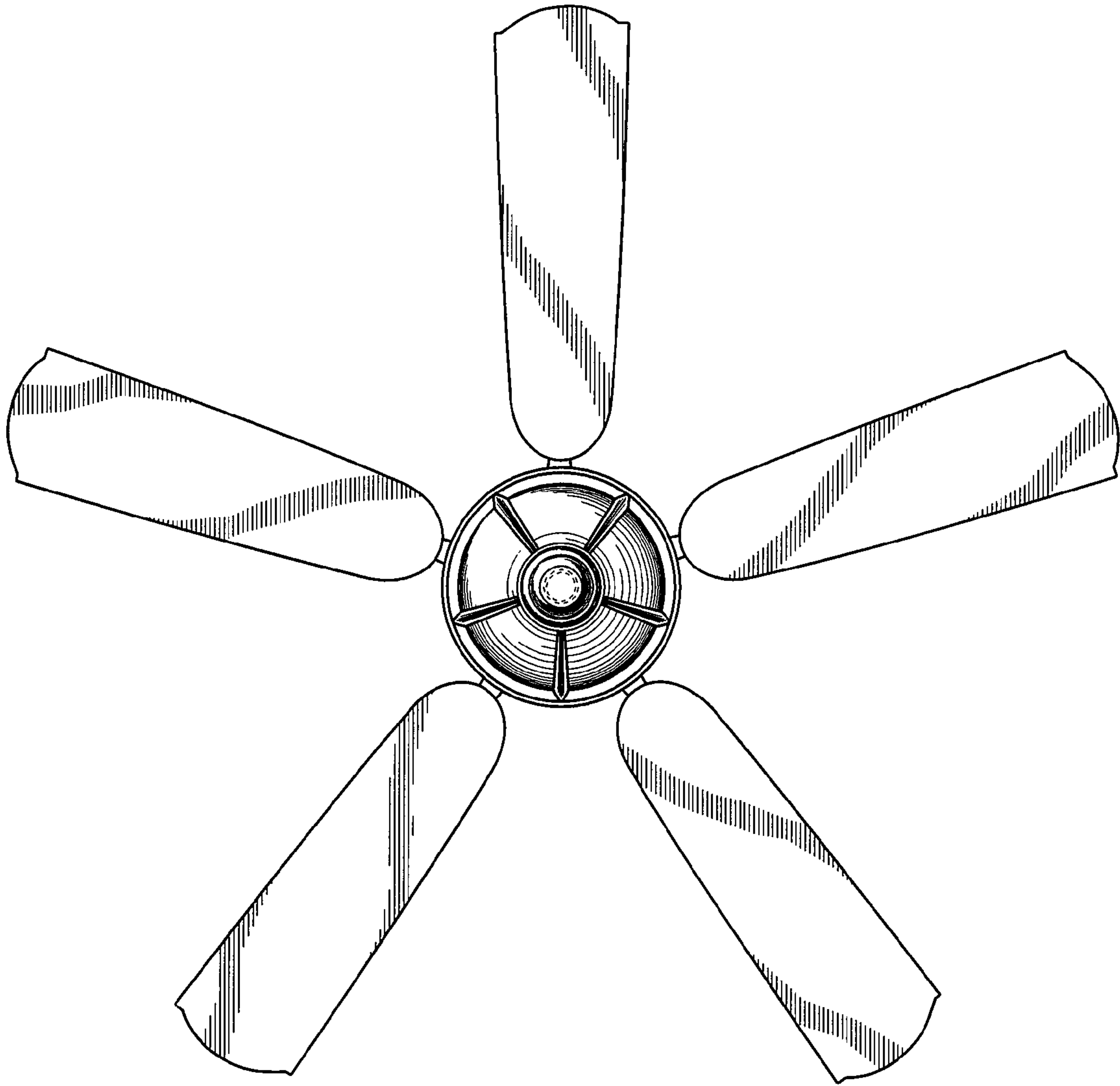


Fig.2

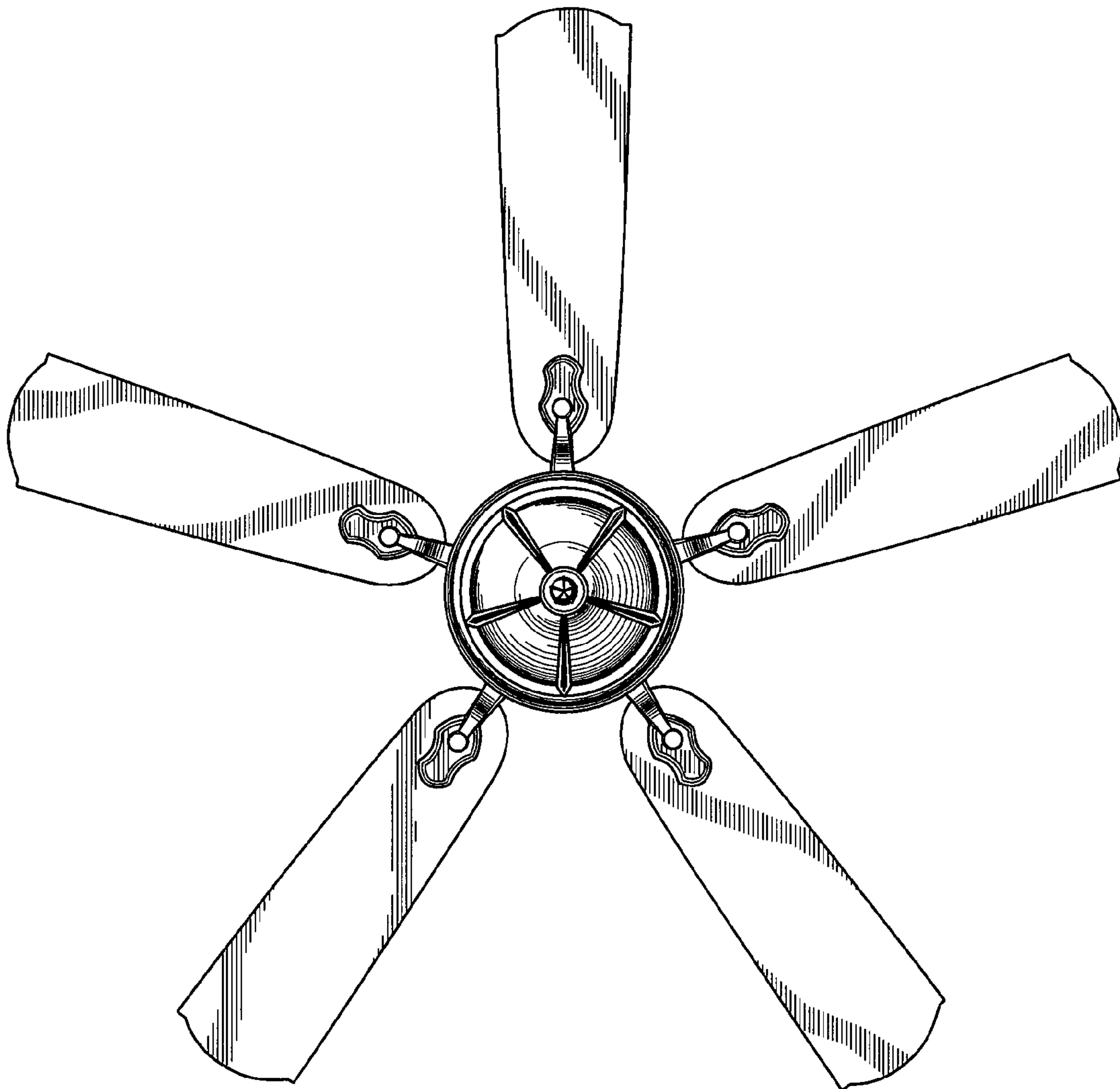


Fig.3

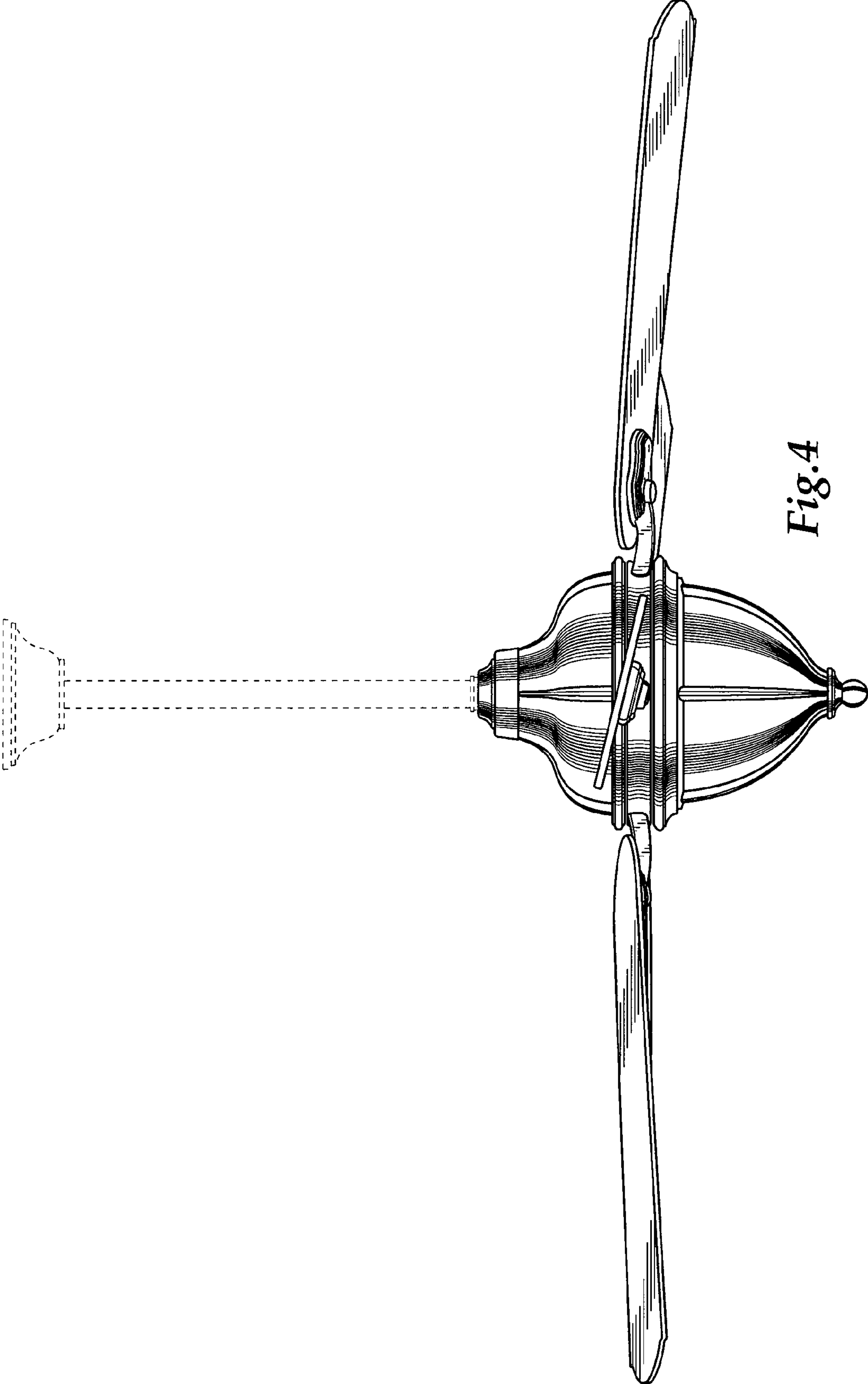


Fig. 4

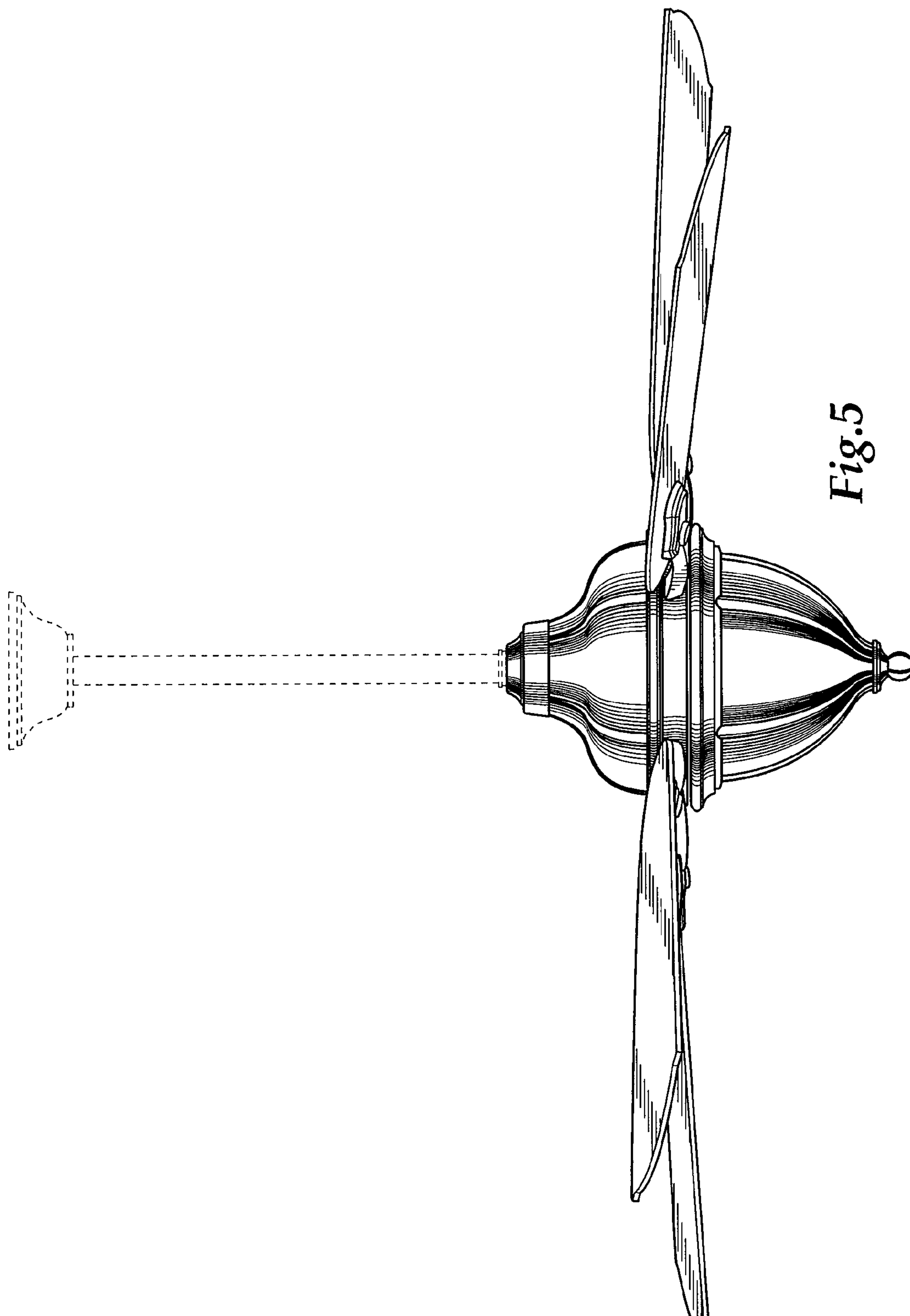


Fig.5

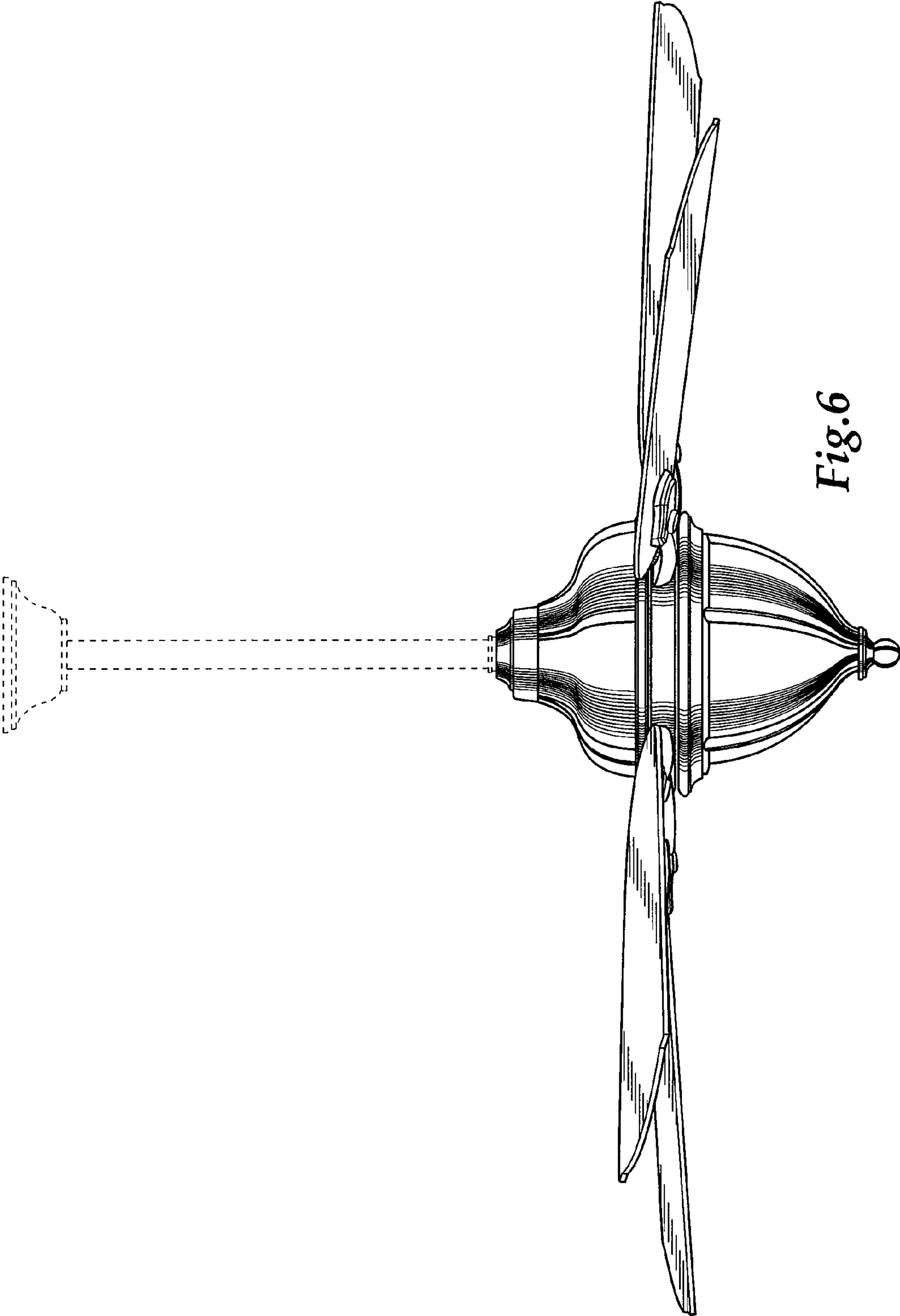


Fig.6