



US00D594957S

(12) **United States Design Patent**  
**Pickett**

(10) **Patent No.:** **US D594,957 S**  
(45) **Date of Patent:** **\*\* Jun. 23, 2009**

(54) **COMBINED CEILING FAN HOUSING AND LIGHT KIT**

*Primary Examiner*—Lisa P Lichtenstein  
(74) *Attorney, Agent, or Firm*—Parson & Goltry; Michael W. Goltry; Robert A. Parsons

(76) **Inventor:** **Mark Pickett**, 1419 E. Palm St., Altadena, CA (US) 91001

(57) **CLAIM**

(\*\*) **Term:** **14 Years**

The ornamental design for a combined ceiling fan housing and light kit, as shown and described.

(21) **Appl. No.:** **29/305,743**

(22) **Filed:** **Mar. 27, 2008**

**DESCRIPTION**

(51) **LOC (9) Cl.** ..... **23-04**

FIG. 1 is a top perspective view of a combined ceiling fan housing and light kit showing my new design;

(52) **U.S. Cl.** ..... **D23/377; D26/59**

FIG. 2 is a bottom perspective view thereof;

(58) **Field of Classification Search** ..... D23/377, D23/379, 385, 411, 413; 416/5; D26/59, D26/71, 81-86, 88, 51; 362/96

FIG. 3 is an enlarged front elevational view thereof, the rear elevational view thereof, the left side elevational view thereof, and the right side elevational view being substantially the same thereof;

See application file for complete search history.

FIG. 4 is a top plan view thereof; and,

(56) **References Cited**

**U.S. PATENT DOCUMENTS**

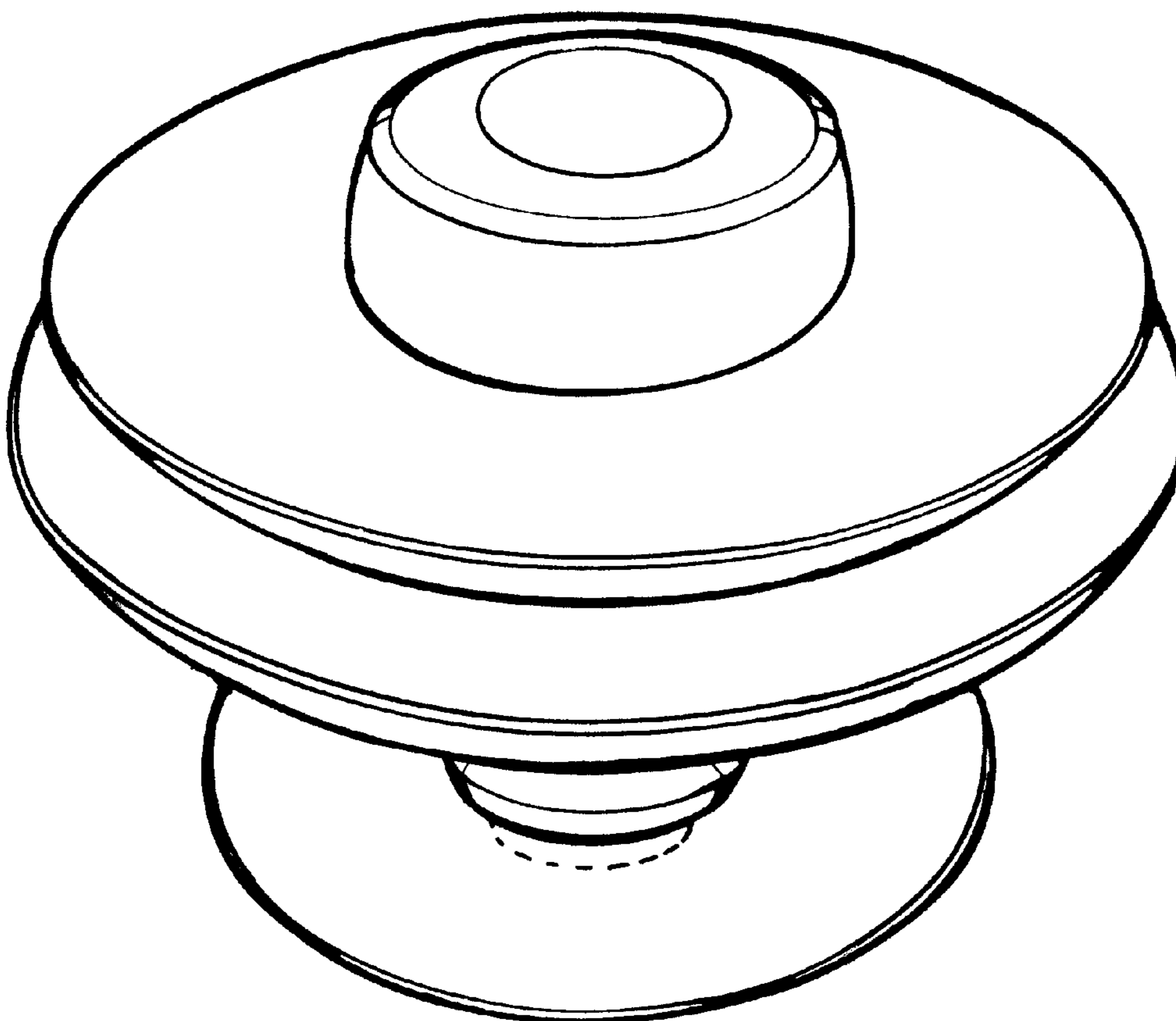
FIG. 5 is a bottom plan view thereof.

D471,269 S *	3/2003	Gajewski	.....	D23/377
D520,632 S *	5/2006	Tai	.....	D23/411
D536,439 S *	2/2007	Pickett	.....	D23/411
D548,830 S *	8/2007	Pickett	.....	D23/411
D562,961 S *	2/2008	Pickett	.....	D23/377

The broken line showing of portions of the combined ceiling fan and light kit is included for the purpose of illustrating environmental structure and forms no part of the claimed design.

\* cited by examiner

**1 Claim, 5 Drawing Sheets**



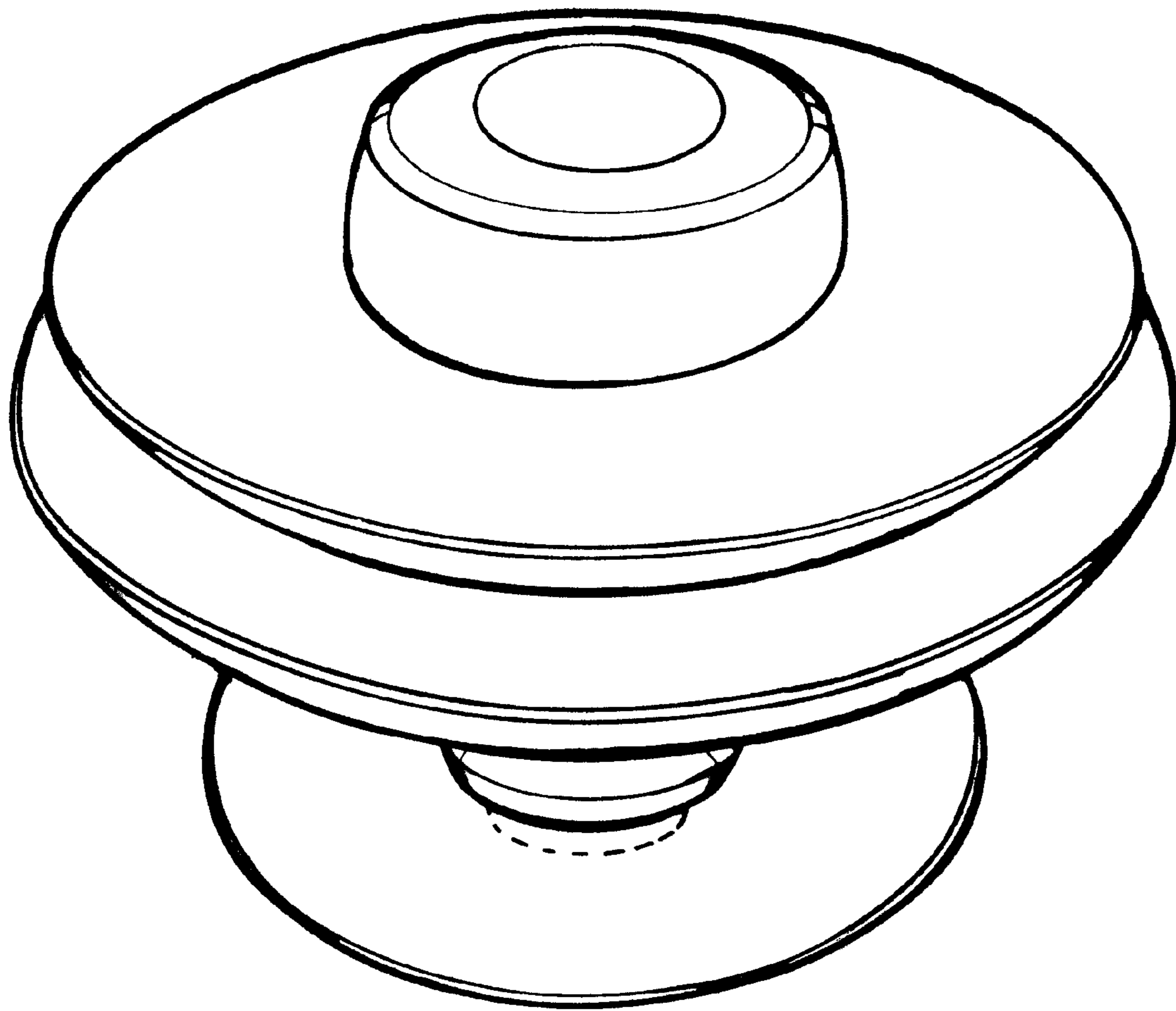


FIG. 1

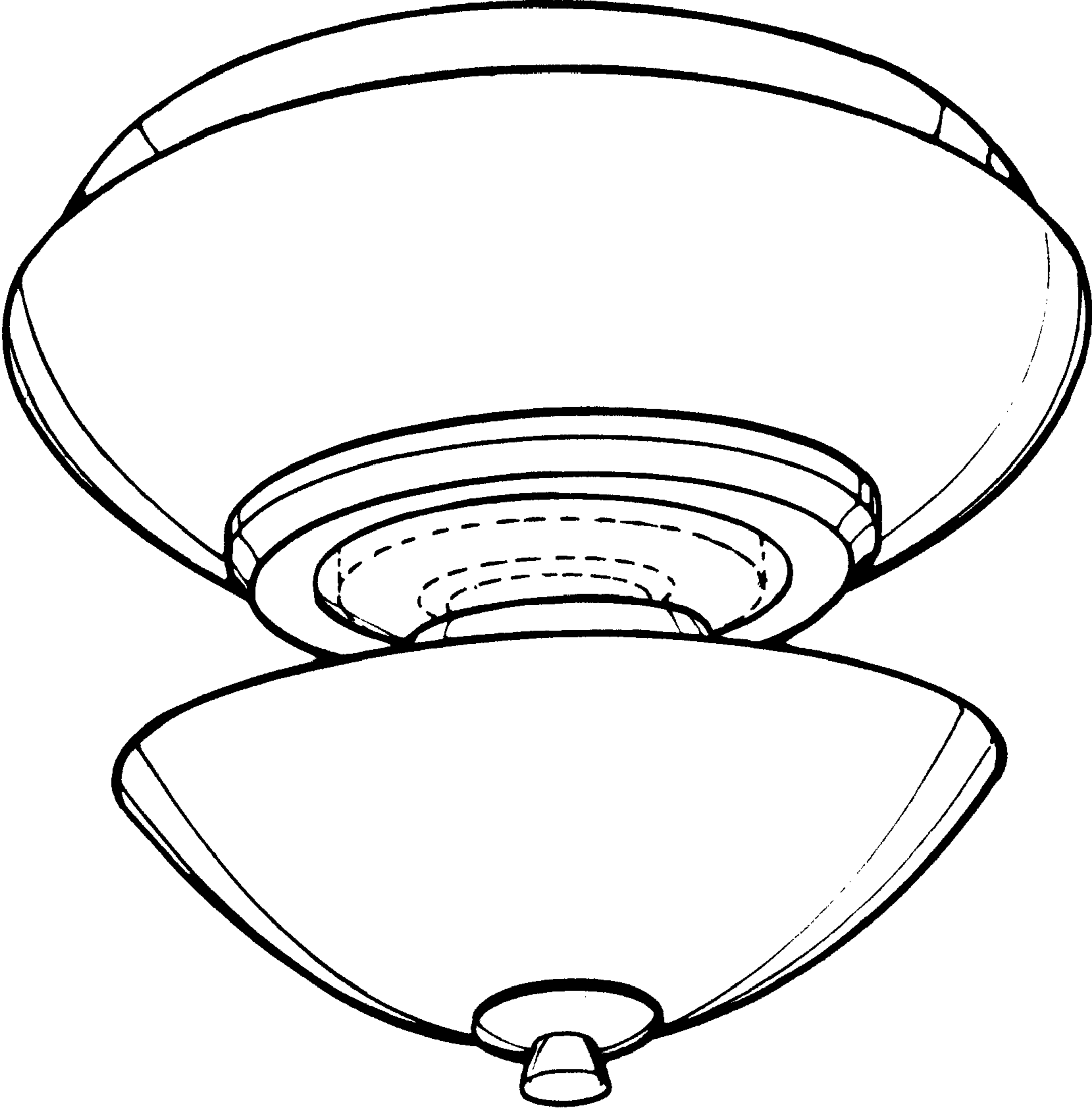


FIG. 2

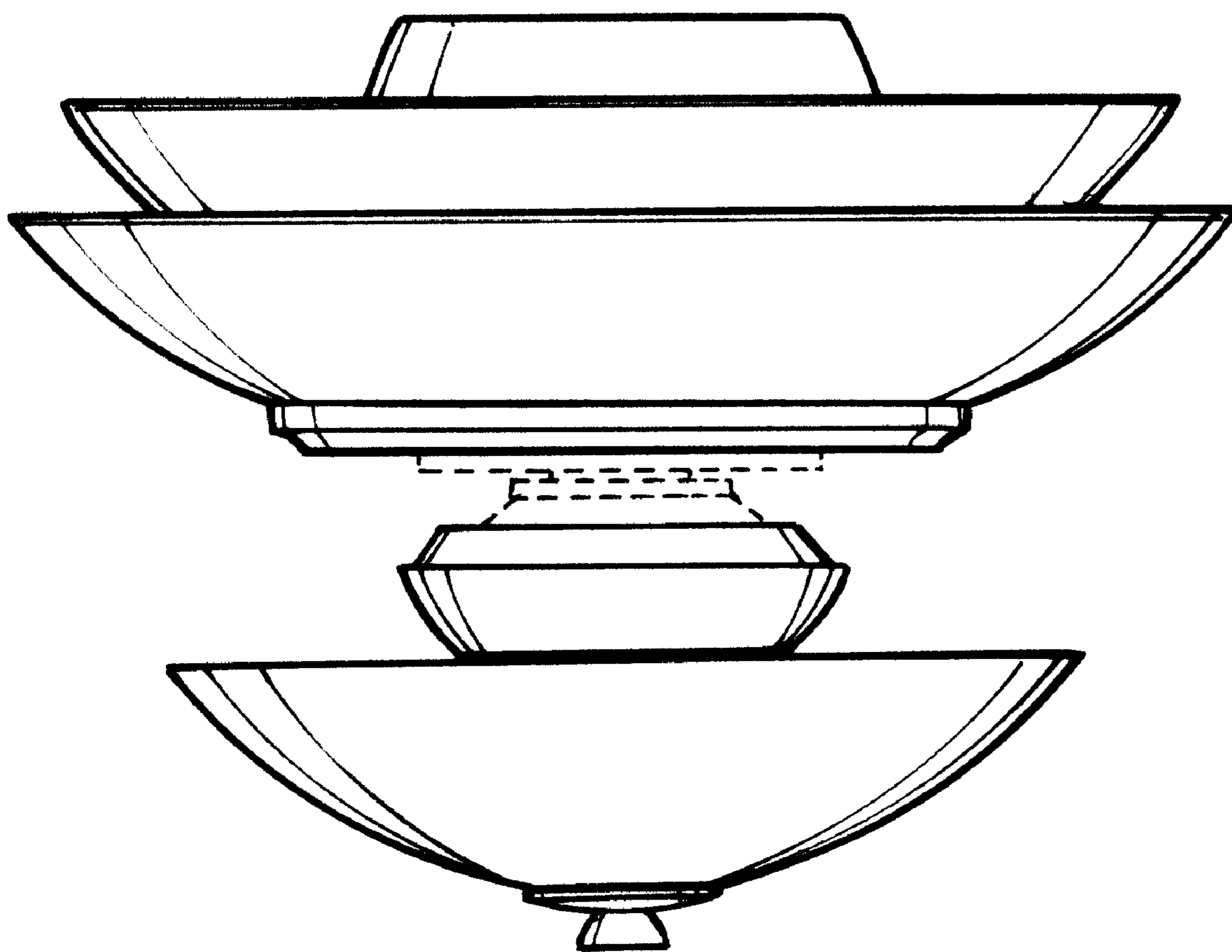


FIG. 3

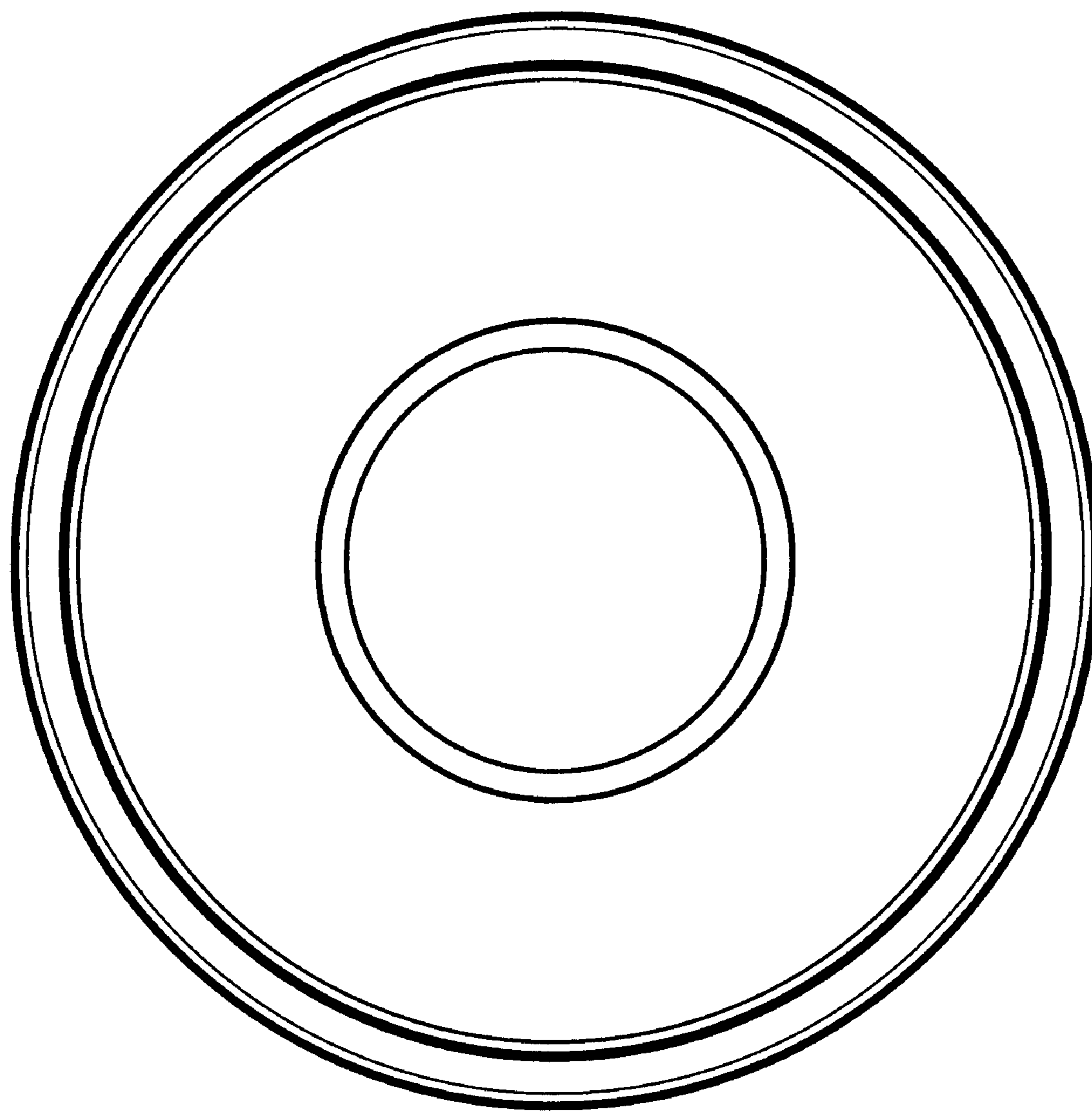


FIG. 4

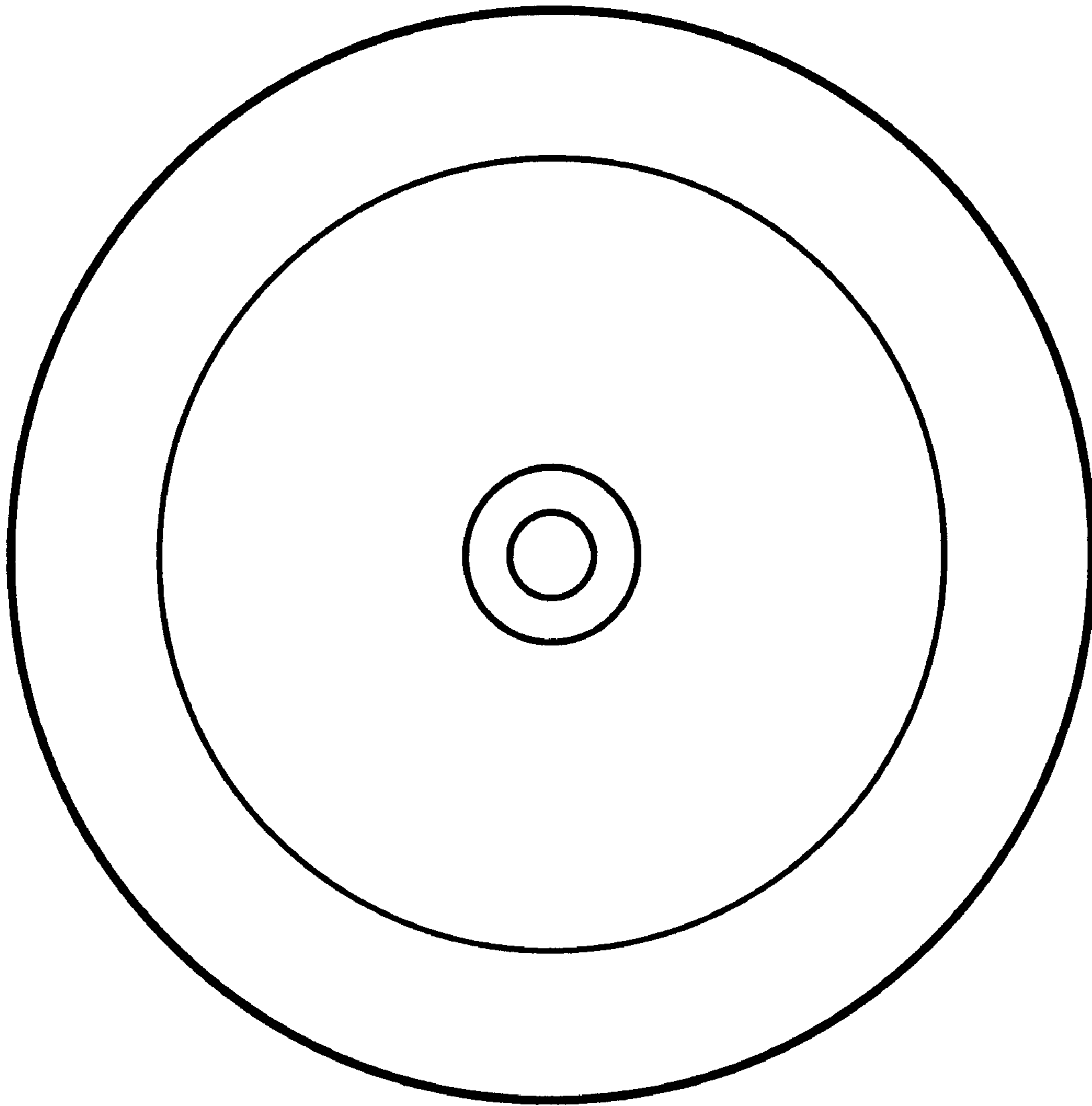


FIG. 5