



US00D594956S

(12) **United States Design Patent**
Blanchette et al.

(10) **Patent No.:** **US D594,956 S**
(45) **Date of Patent:** **** Jun. 23, 2009**

(54) **FRONT PORTION OF A KITCHEN HOOD**

(75) Inventors: **Dominic Blanchette**, Drummondville (CA); **Sébastien Lafond**, Drummondville (CA); **Daniel Marcoux**, St-Charles-de-Drummond (CA); **Denis Maltais**, Drummondville (CA); **Benoit Gauthier**, St-Augustin-de-Desmaures (CA); **Daniel Bathalon**, Drummondville (CA); **Benoit Orban**, St-Lambert (CA); **Patrick Mainville**, Montreal (CA); **Catherine Turgy**, Montreal (CA)

(73) Assignee: **Venmar Ventilation Inc.**, Drummondville (CA)

(**) Term: **14 Years**

(21) Appl. No.: **29/242,402**

(22) Filed: **Nov. 10, 2005**

(51) **LOC (9) Cl.** **23-04**

(52) **U.S. Cl.** **D23/372**

(58) **Field of Classification Search** D23/372, D23/371, 383; 126/299 R, 299 D

See application file for complete search history.

(56) **References Cited**

U.S. PATENT DOCUMENTS

3,690,245	A *	9/1972	Ferlise et al.	126/299 D
D361,376	S	8/1995	Isabelle et al.		
D367,319	S	2/1996	Isabelle et al.		
D436,658	S *	1/2001	Goulet	D23/372
D451,587	S *	12/2001	Goulet	D23/372

* cited by examiner

Primary Examiner—Lisa P Lichtenstein

(57) **CLAIM**

The ornamental design for a front portion of a kitchen hood, as shown and described.

DESCRIPTION

FIG. 1 is a top perspective view of the front portion of a kitchen hood;

FIG. 2 is a bottom perspective view of the front portion of a kitchen hood of FIG. 1;

FIG. 3 is a front view of the front portion of a kitchen hood of FIG. 1;

FIG. 4 is a right side view of the front portion of a kitchen hood of FIG. 1;

FIG. 5 is a top view of the front portion of a kitchen hood of FIG. 1;

FIG. 6 is a bottom view of the front portion of a kitchen hood of FIG. 1;

FIG. 7 is a rear view of the front portion of a kitchen hood of FIG. 1;

FIG. 8 is a top perspective view of the front portion of a kitchen hood showing a second embodiment of our design;

FIG. 9 is a bottom perspective view of the front portion of a kitchen hood of FIG. 8;

FIG. 10 is a front view of the front portion of a kitchen hood of FIG. 8;

FIG. 11 is a right side view of the front portion of a kitchen hood of FIG. 8;

FIG. 12 is a top view of the front portion of a kitchen hood of FIG. 8;

FIG. 13 is a bottom view of the front portion of a kitchen hood of FIG. 8;

FIG. 14 is a rear view of the front portion of a kitchen hood of FIG. 8;

FIG. 15 is a top perspective view of the front portion of a kitchen hood showing a third embodiment of our design;

FIG. 16 is a bottom perspective view of the front portion of a kitchen hood of FIG. 15;

FIG. 17 is a front view of the front portion of a kitchen hood of FIG. 15;

FIG. 18 is a right side view of the front portion of a kitchen hood of FIG. 15;

FIG. 19 is a top view of the front portion of a kitchen hood of FIG. 15;

FIG. 20 is a bottom view of the front portion of a kitchen hood of FIG. 15;

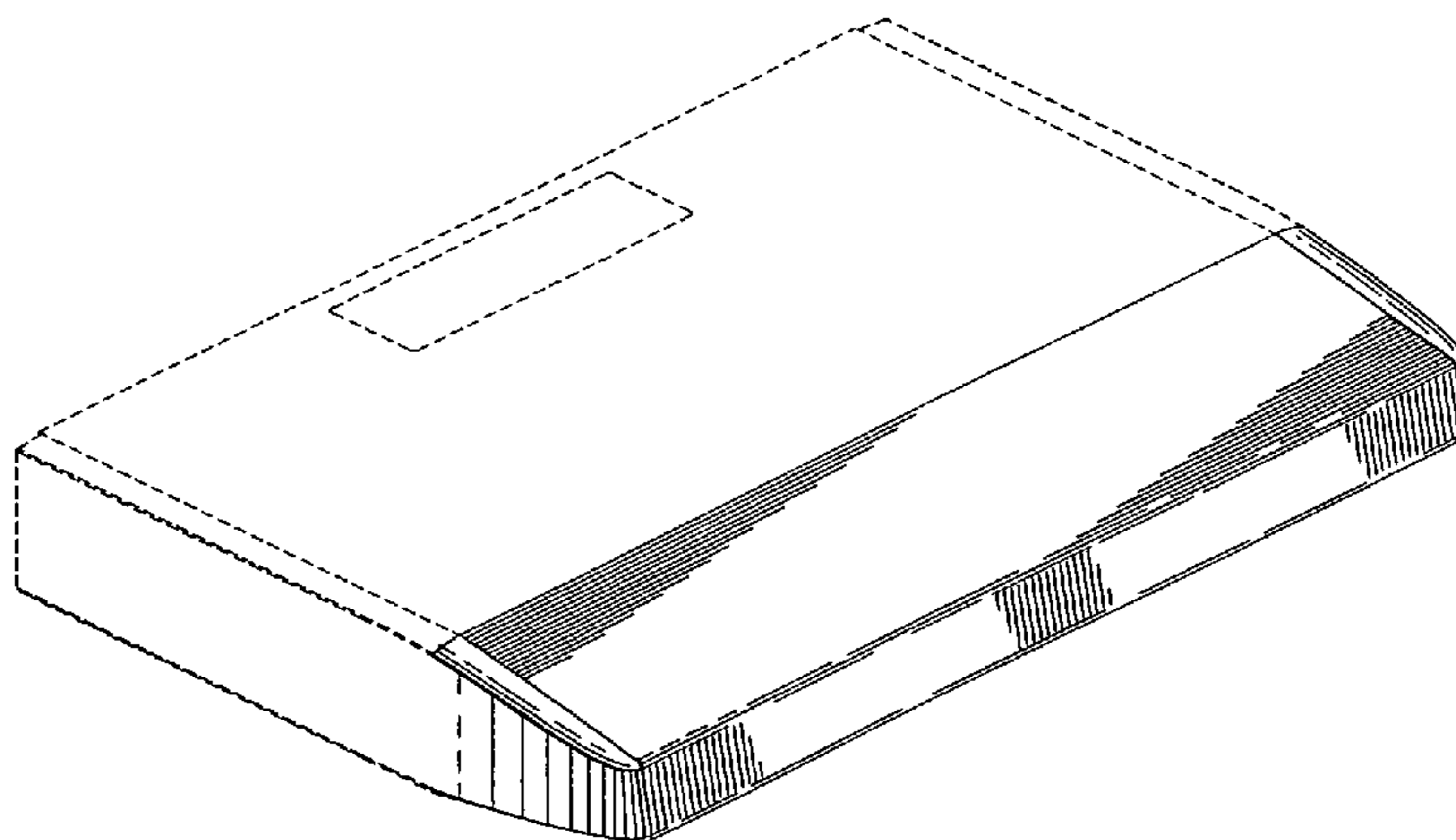


FIG. **21** is a rear view of the front portion of a kitchen hood of FIG. **15**;

FIG. **22** is a top perspective view of the front portion of a kitchen hood showing a fourth embodiment of our design;

FIG. **23** is a bottom perspective view of the front portion of a kitchen hood of FIG. **22**;

FIG. **24** is a front view of the front portion of a kitchen hood of FIG. **22**;

FIG. **25** is a right side view of the front portion of a kitchen hood of FIG. **22**;

FIG. **26** is a top view of the front portion of a kitchen hood of FIG. **22**;

FIG. **27** is a bottom view of the front portion of a kitchen hood of FIG. **22**; and,

FIG. **28** is a rear view of the front portion of a kitchen hood of FIG. **22**.

The broken line showing of environmental structure is for illustrative purposes only and forms no part of the claimed design.

1 Claim, 12 Drawing Sheets

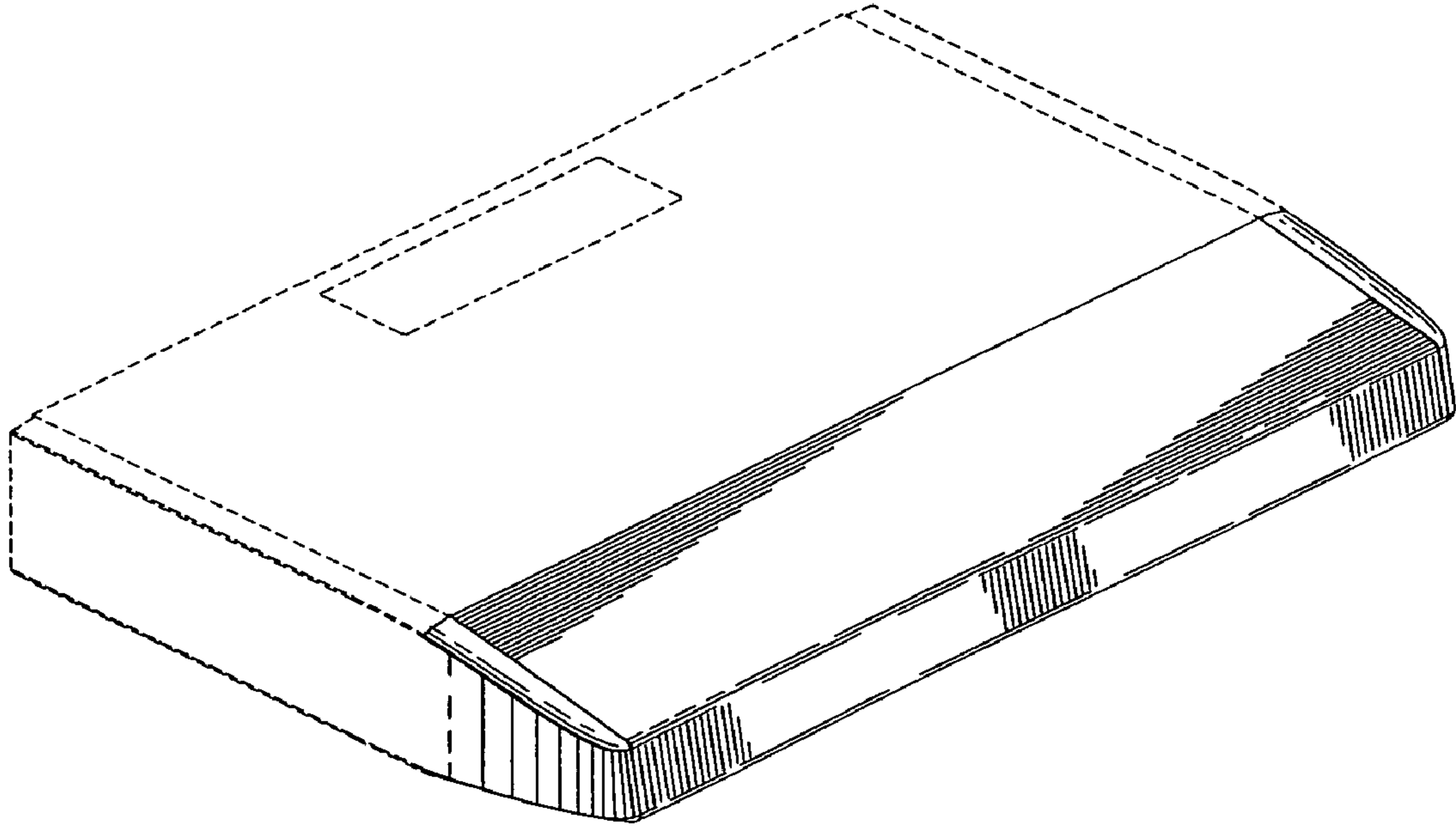


FIG. 1

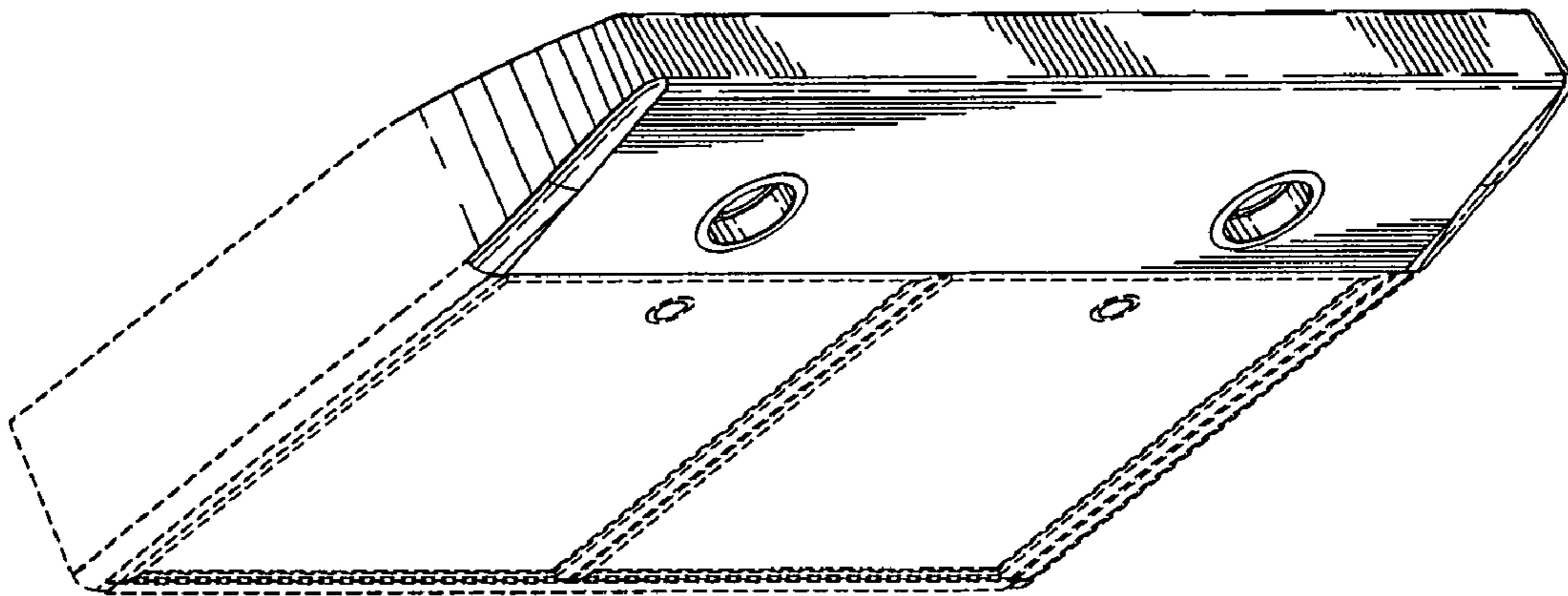


FIG. 2

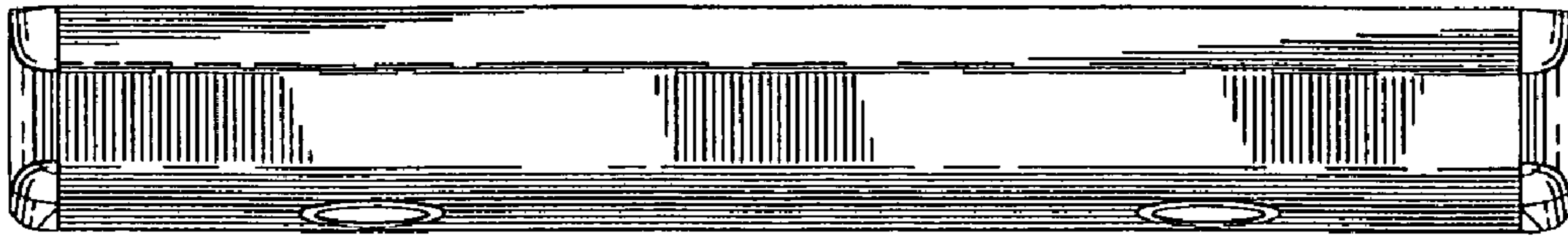


FIG. 3



FIG. 4

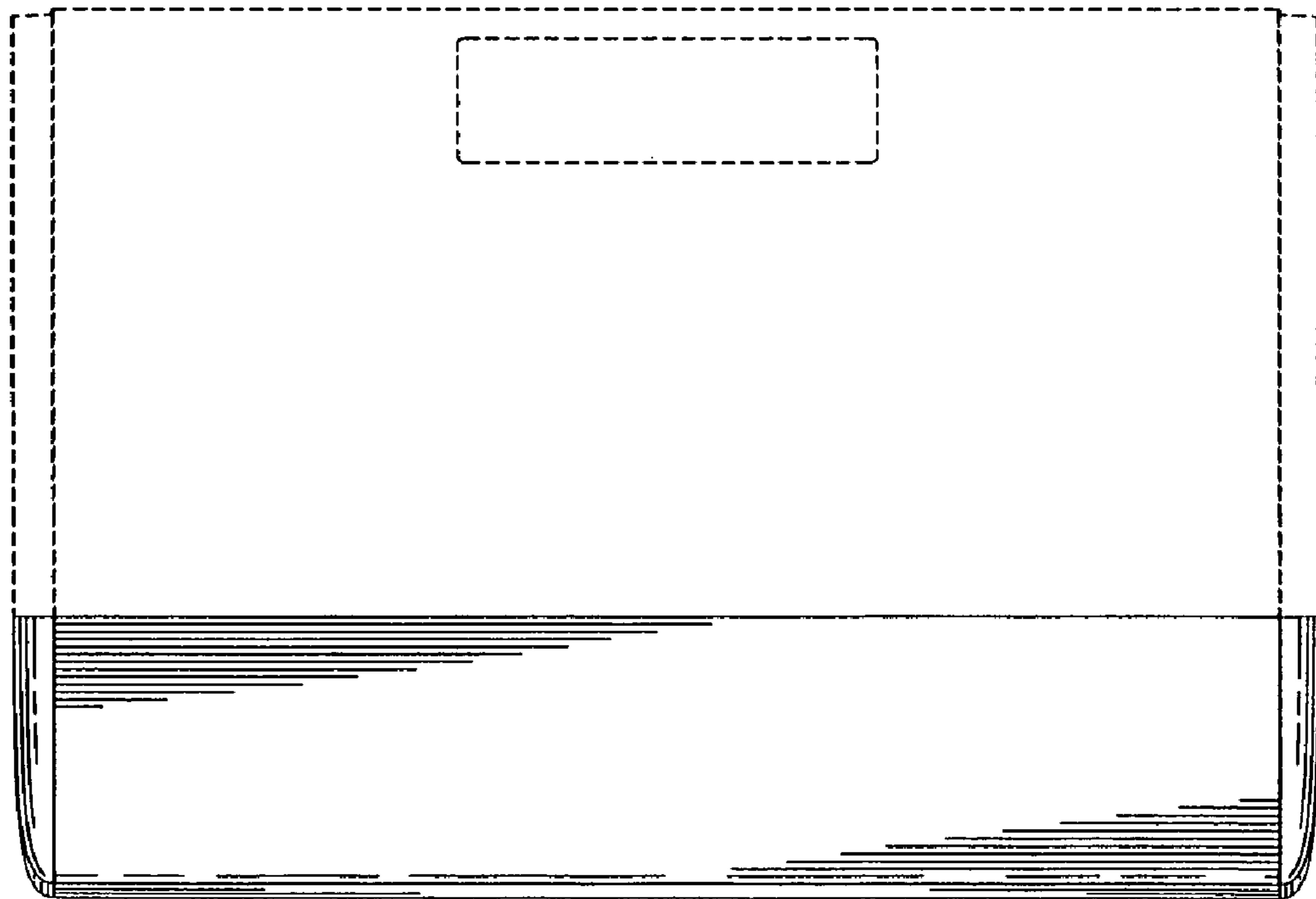


FIG. 5

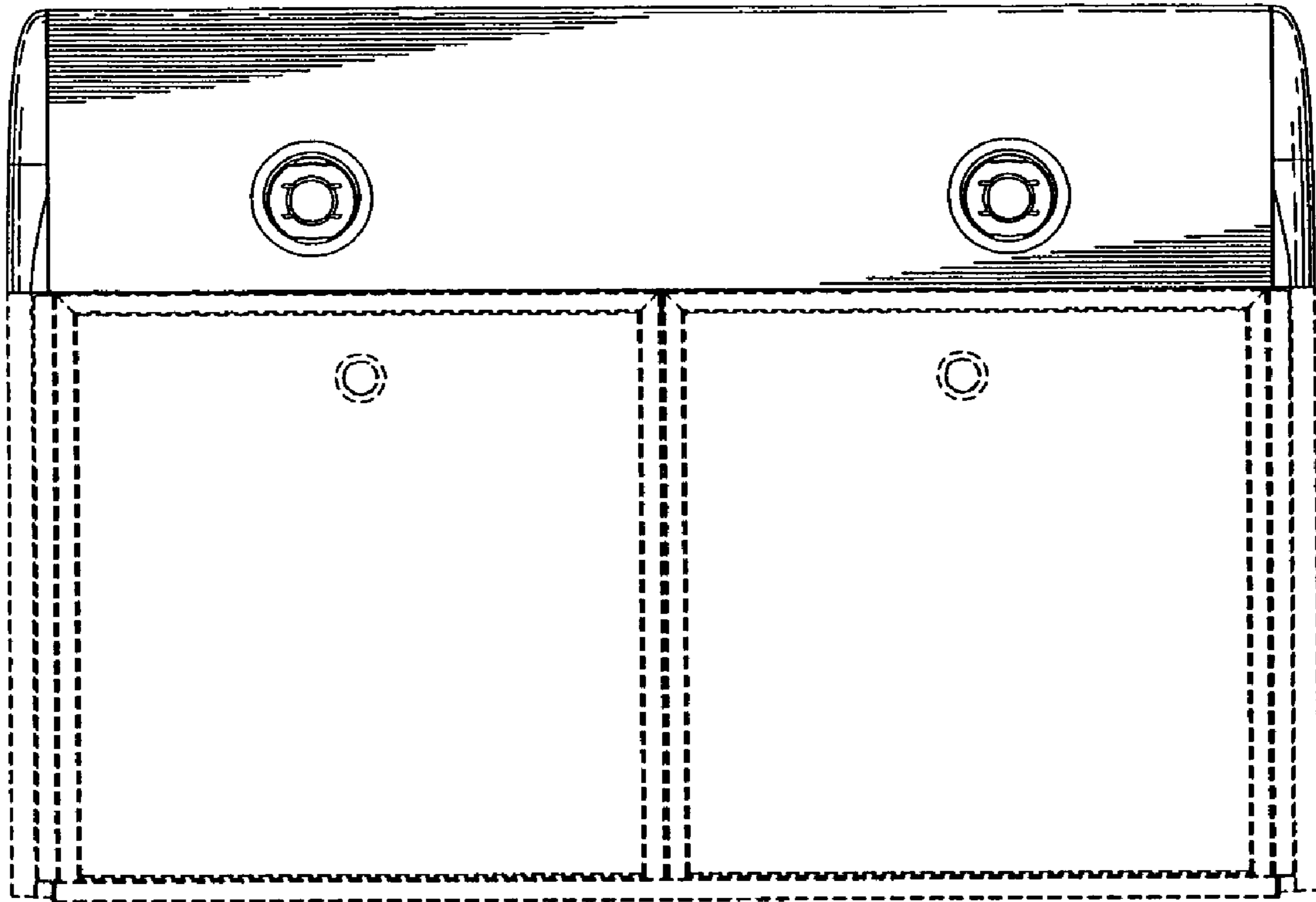


FIG. 6

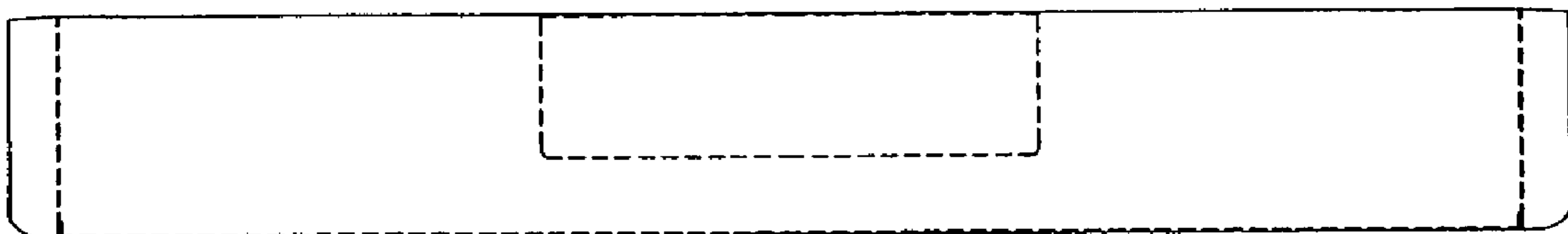


FIG. 7

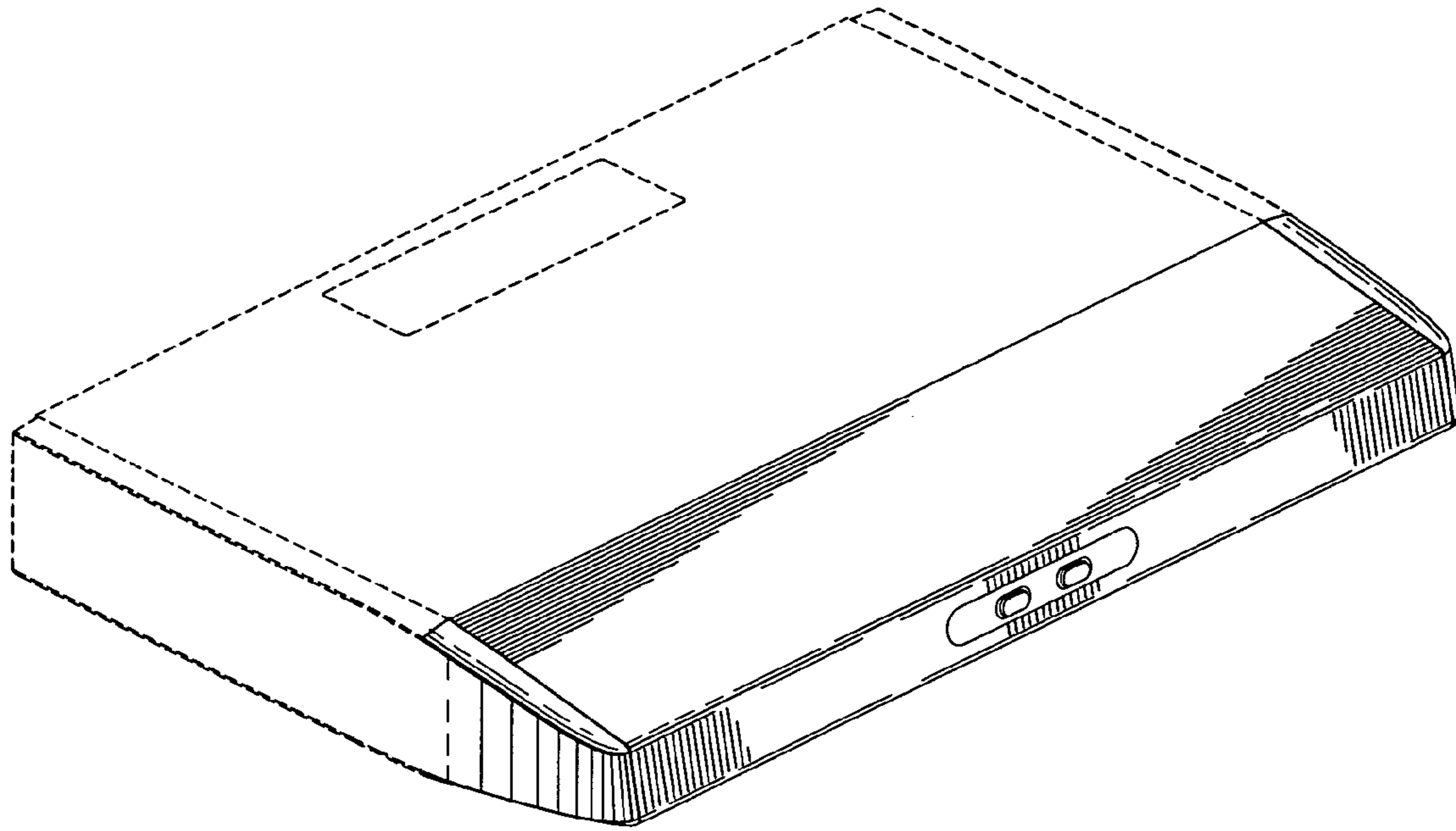


FIG. 8

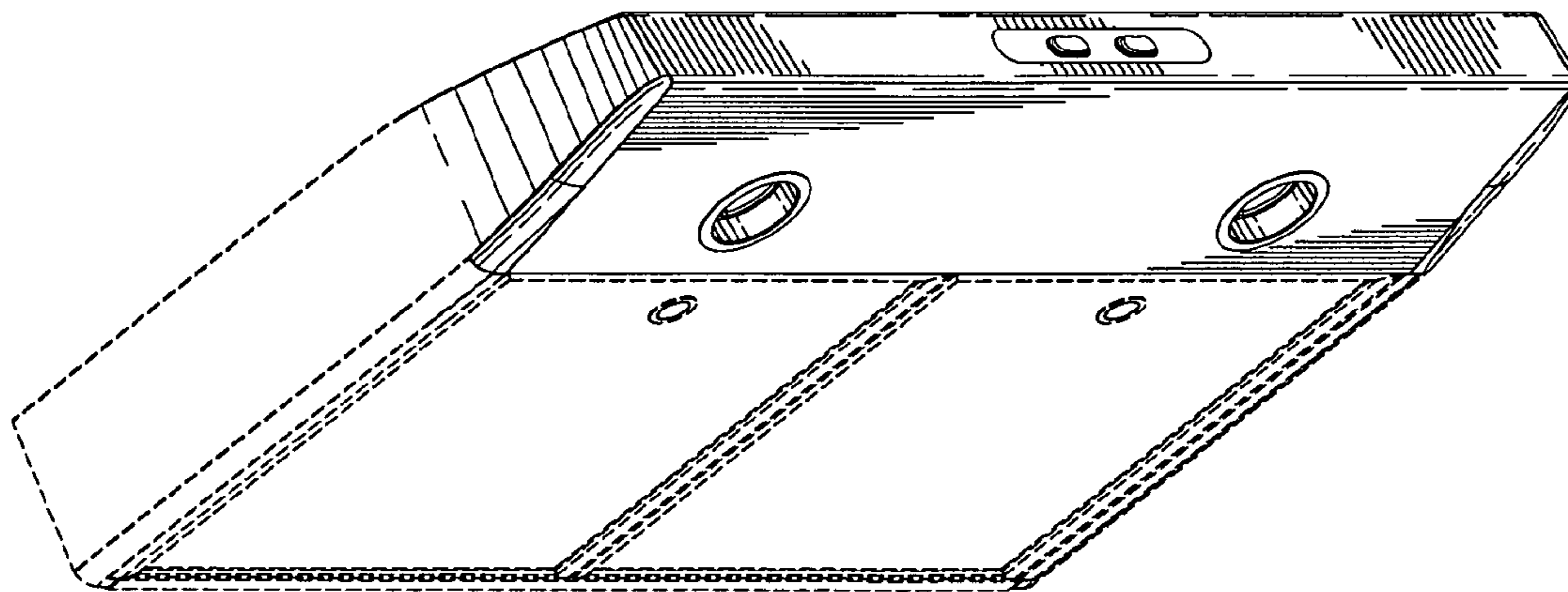


FIG. 9

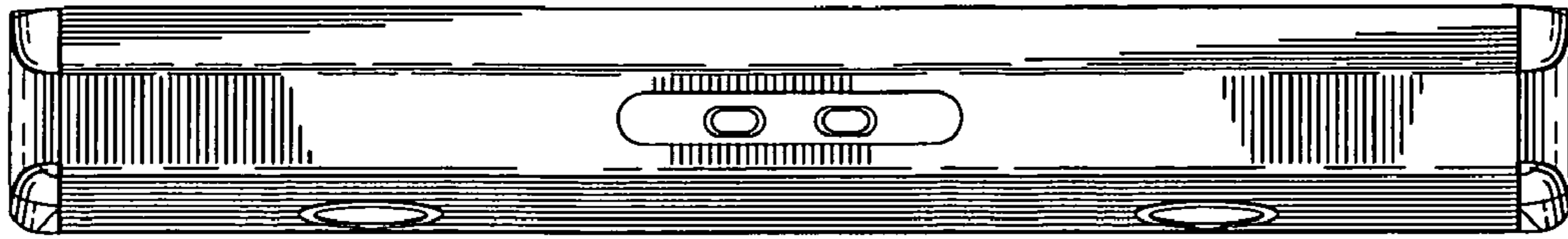


FIG. 10



FIG. 11

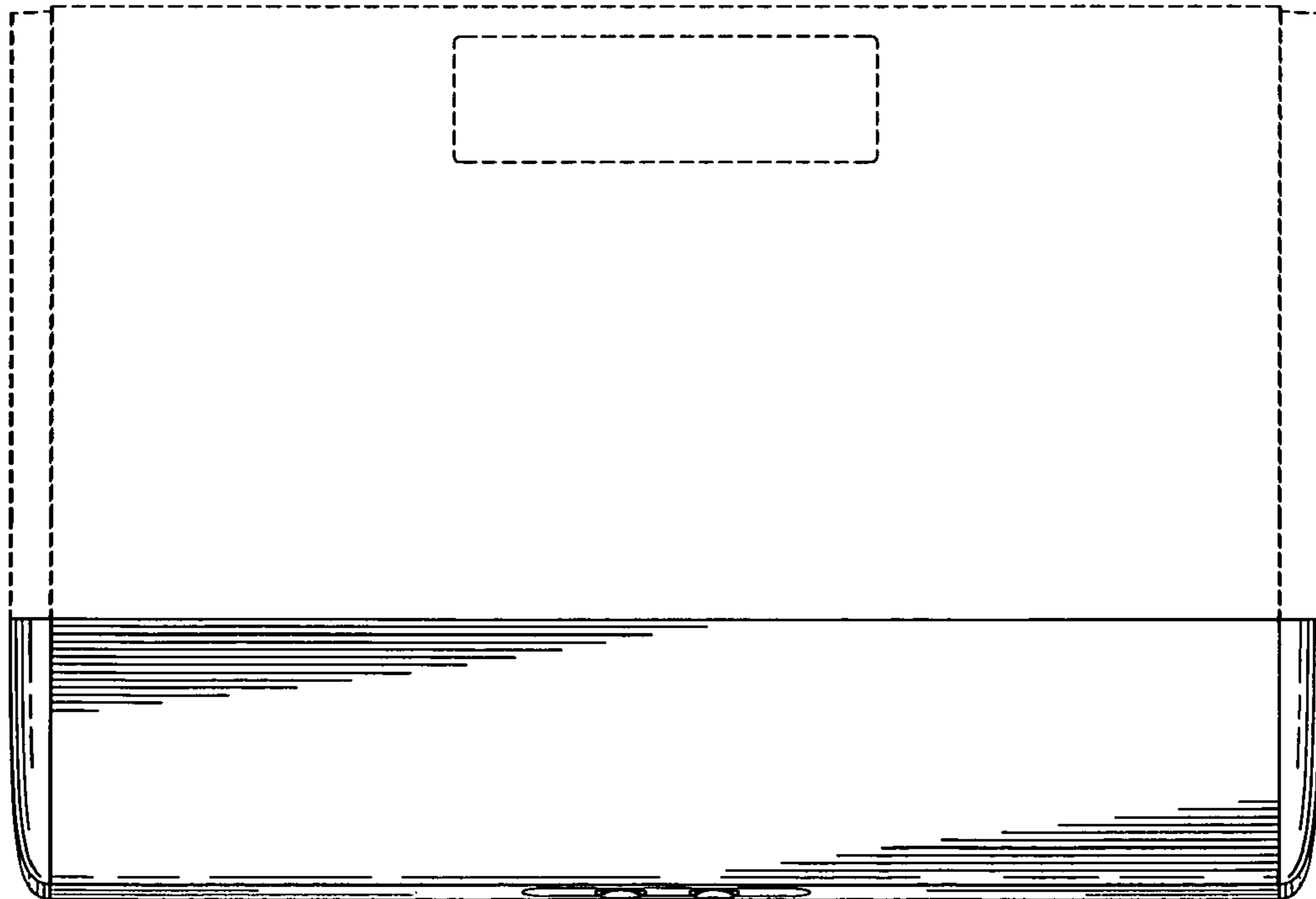


FIG. 12

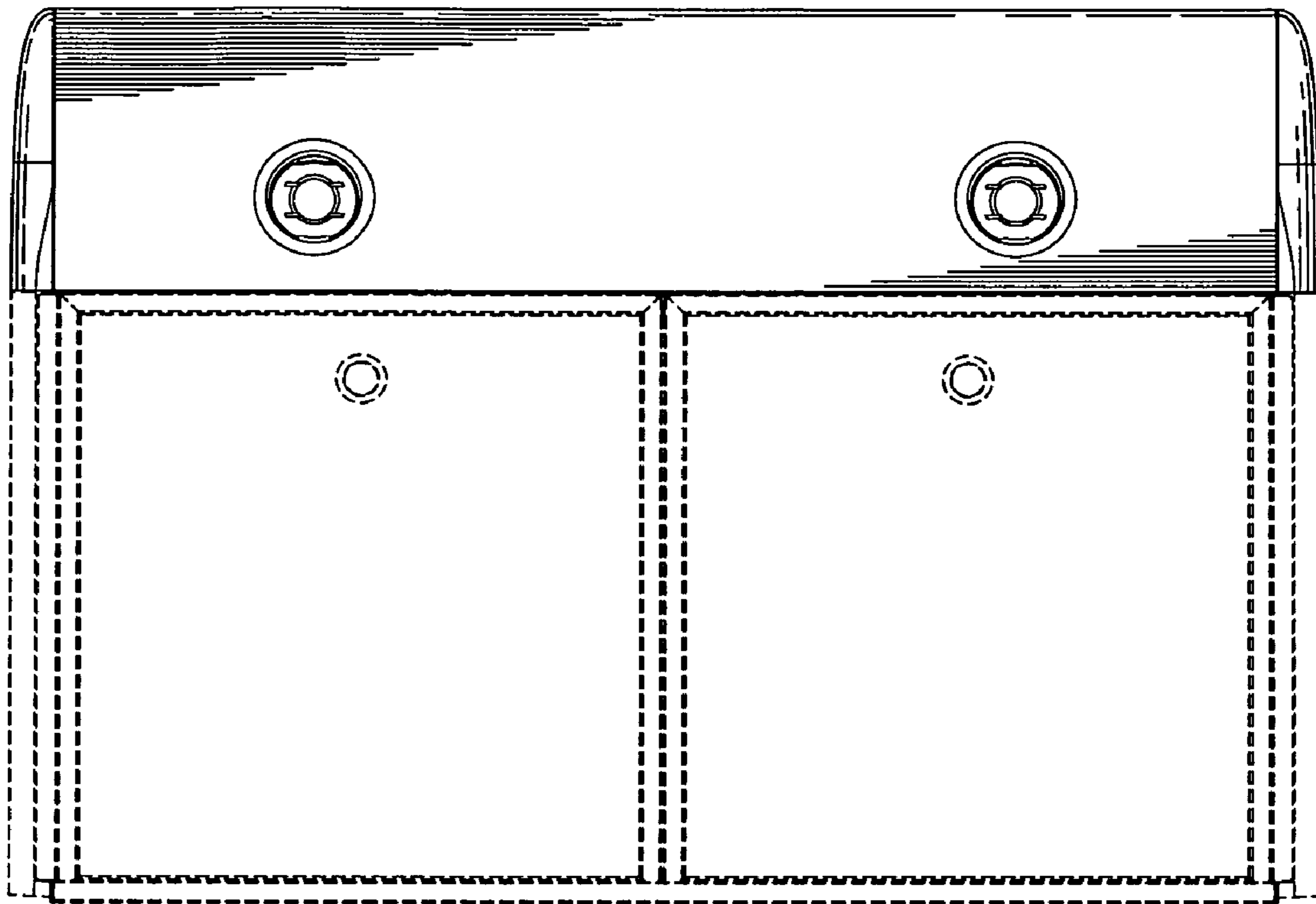


FIG. 13

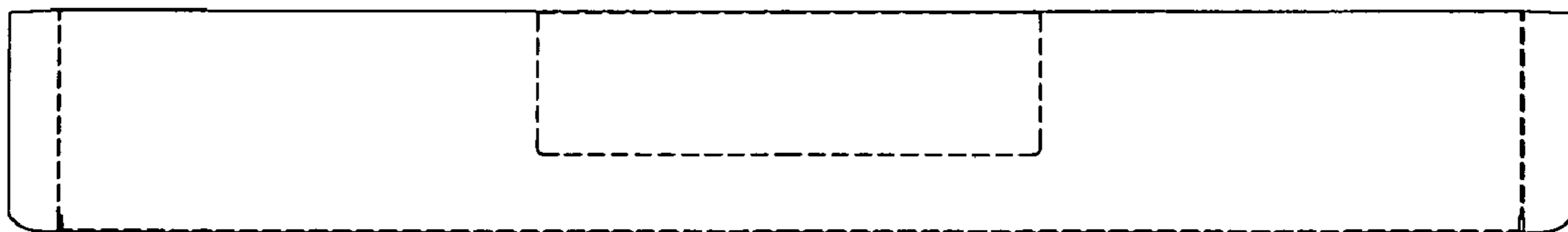


FIG. 14

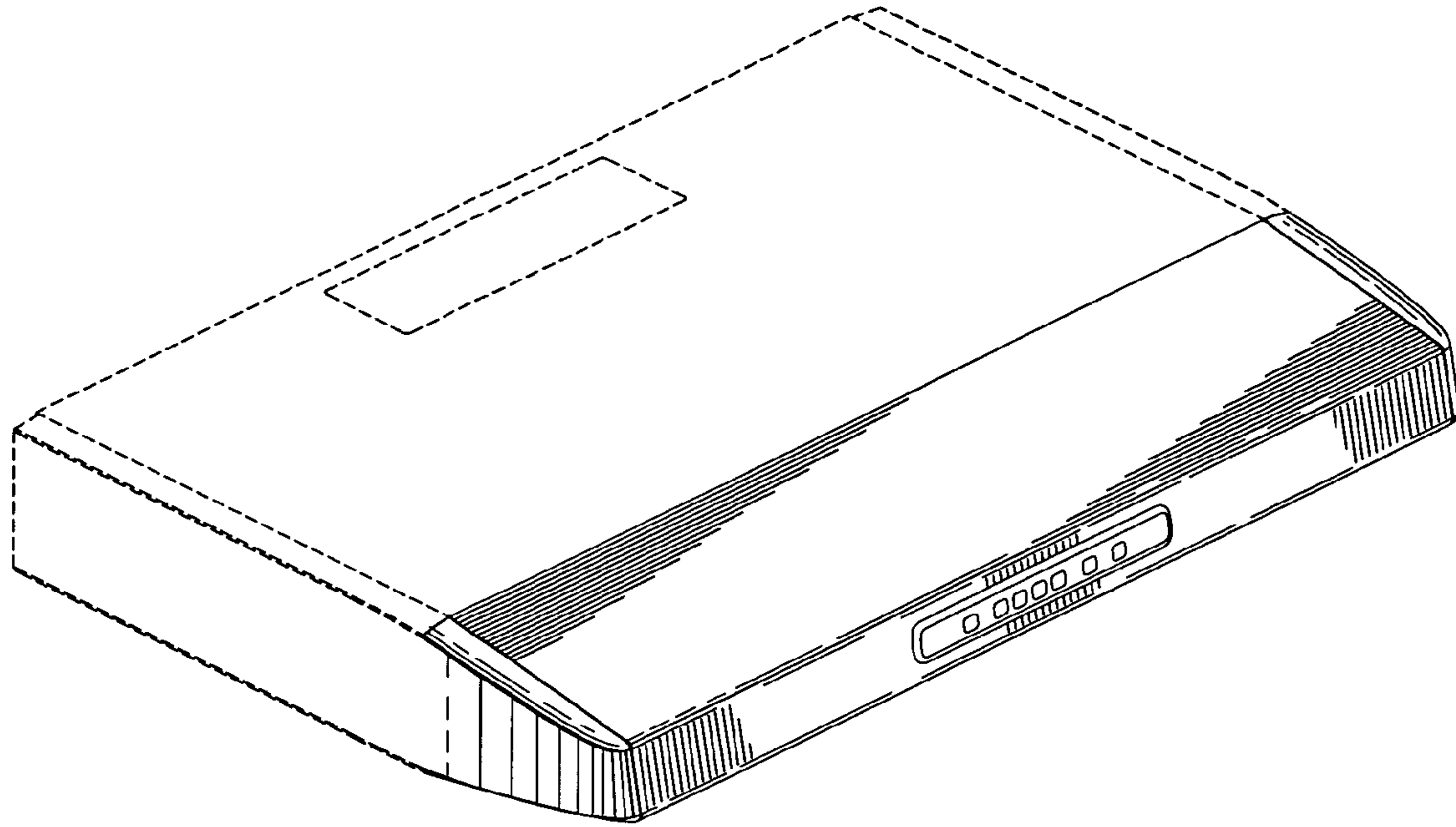


FIG. 15

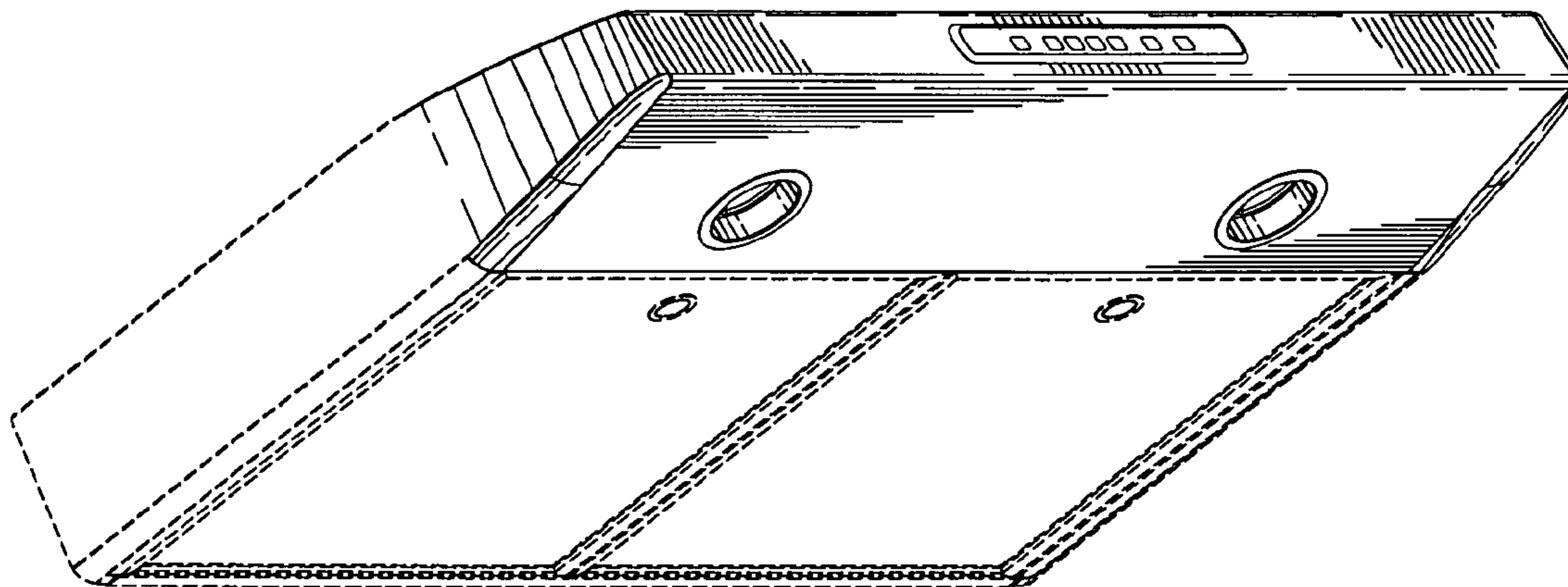


FIG. 16

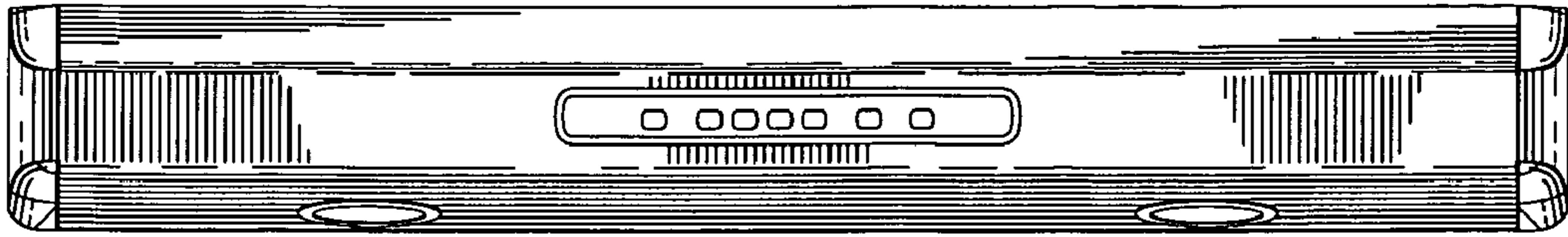


FIG. 17



FIG. 18

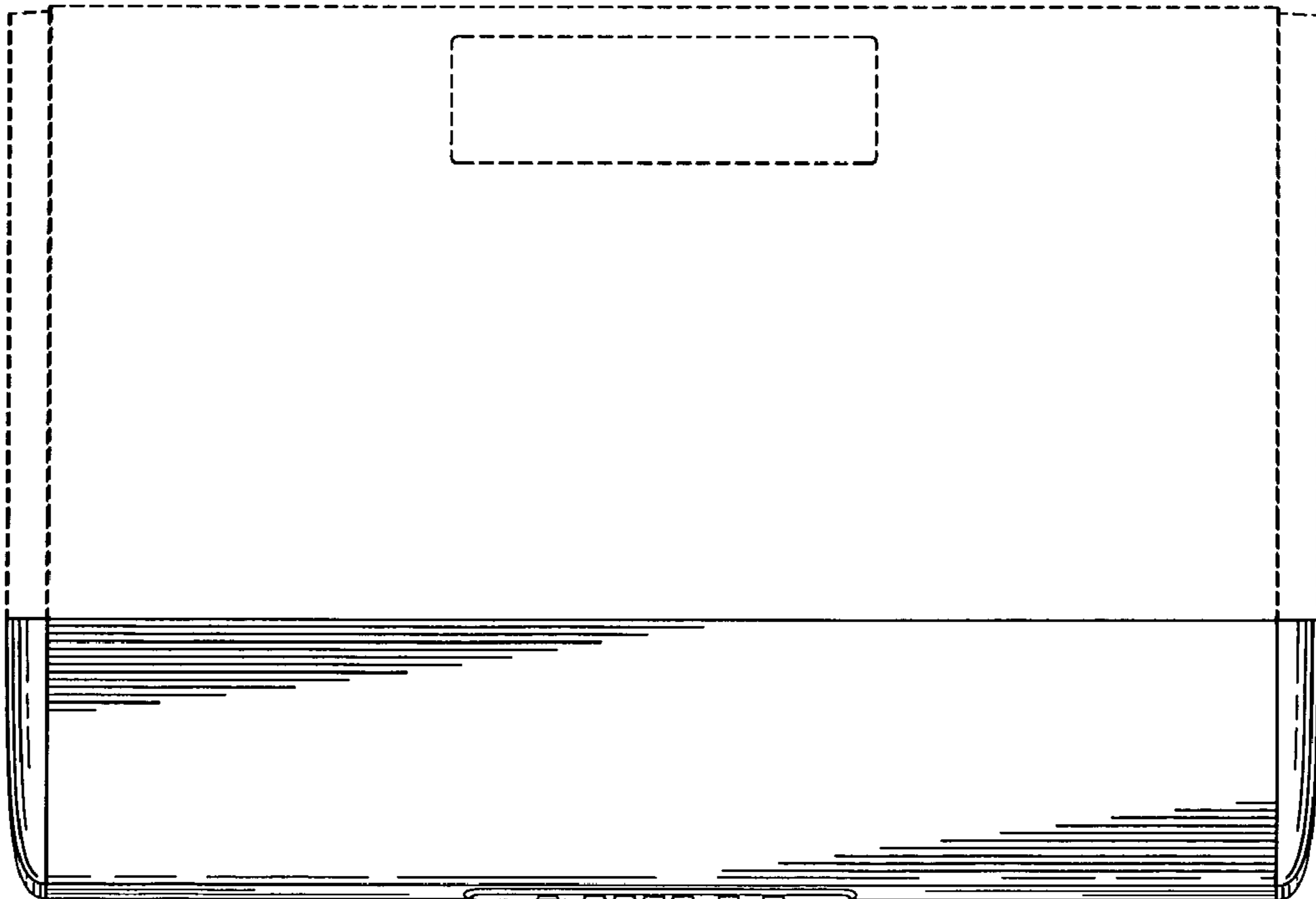


FIG. 19

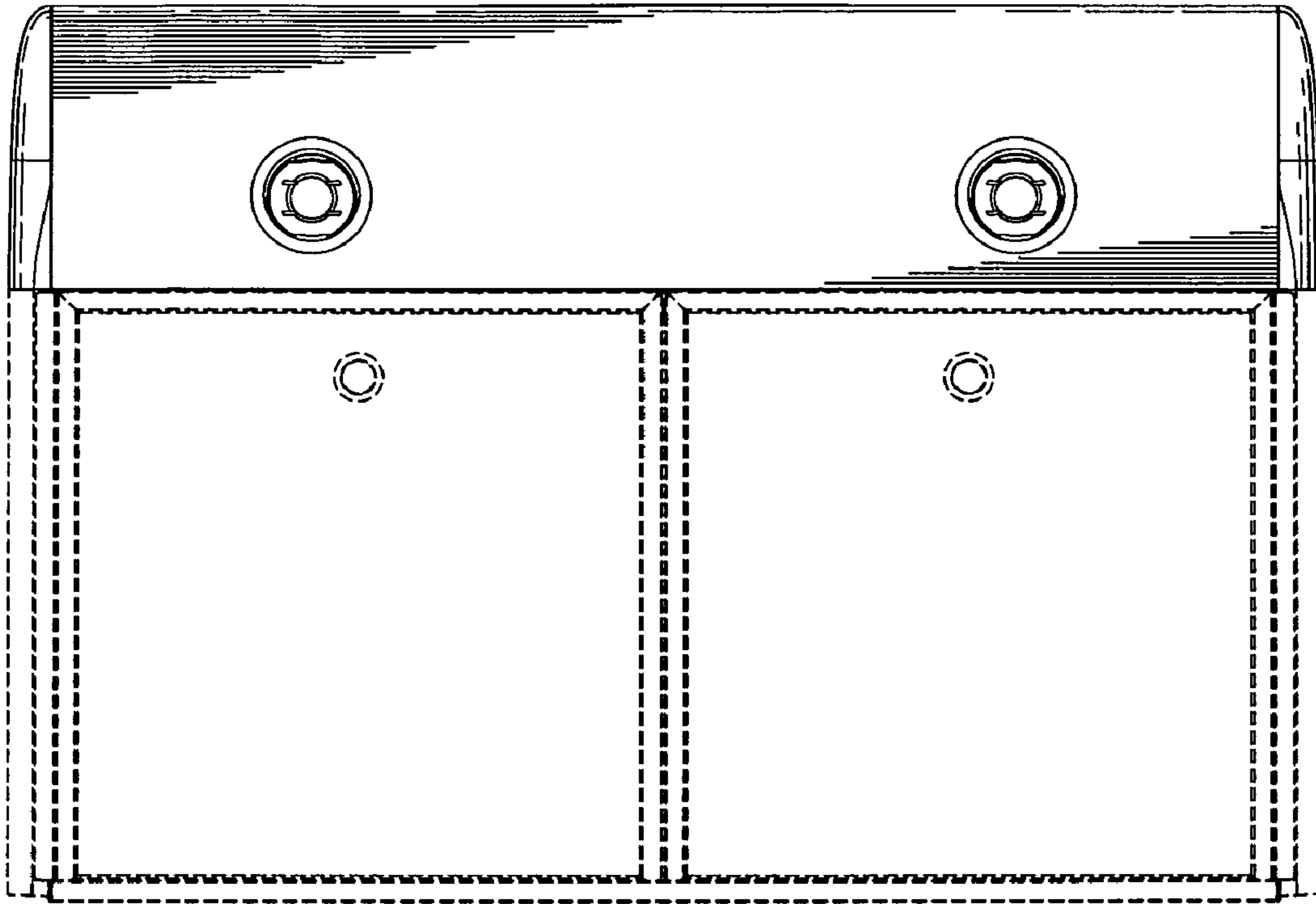


FIG. 20

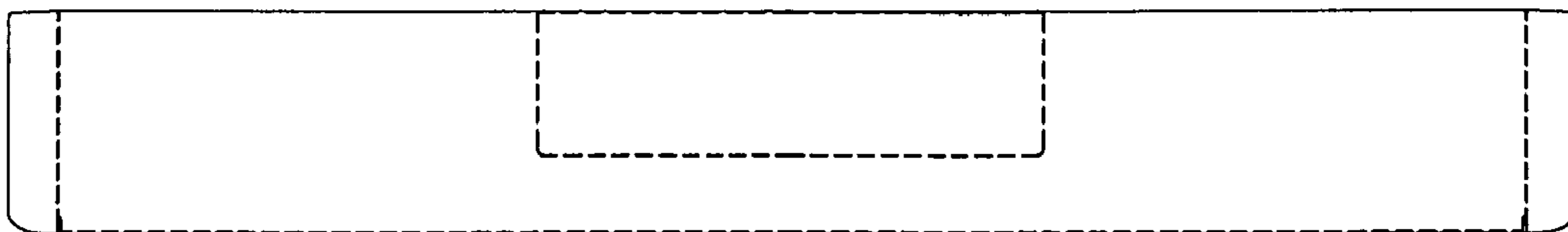


FIG. 21

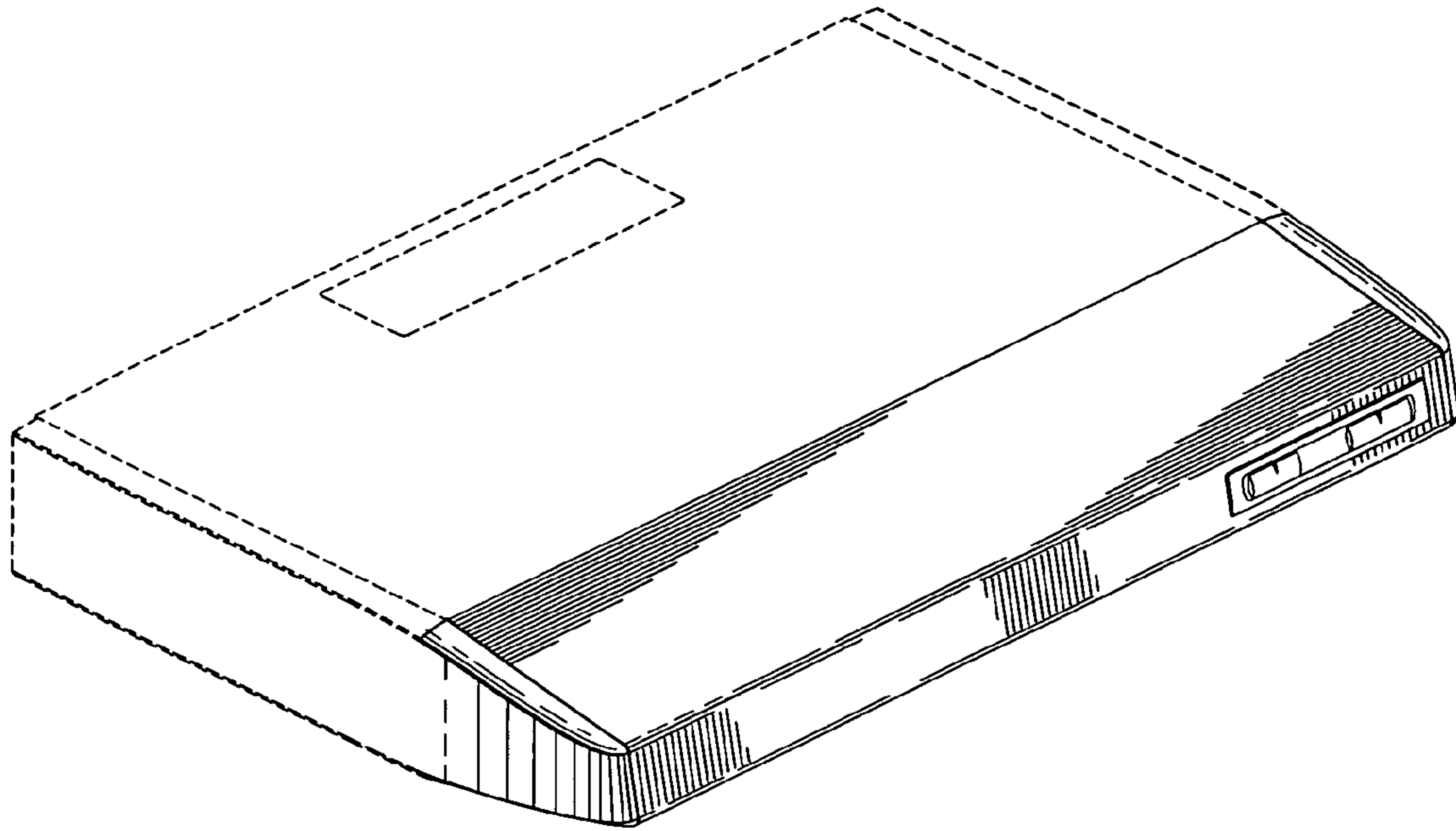


FIG. 22

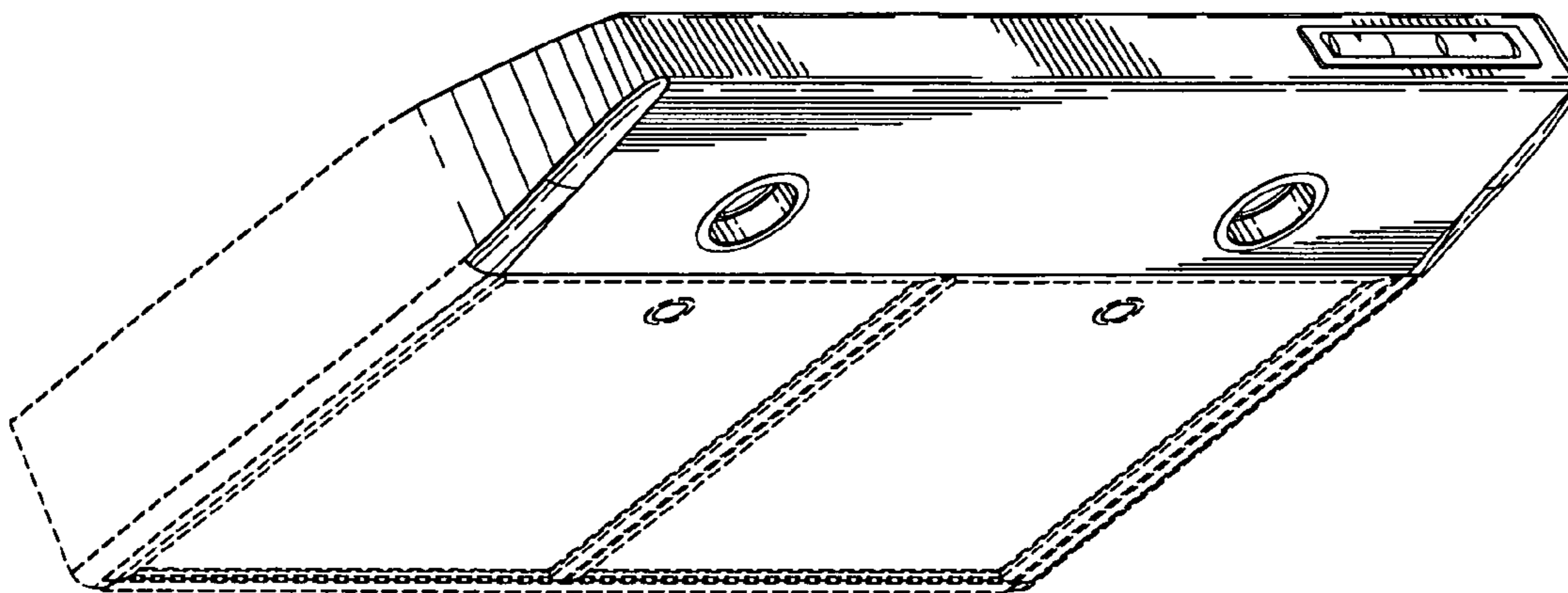


FIG. 23

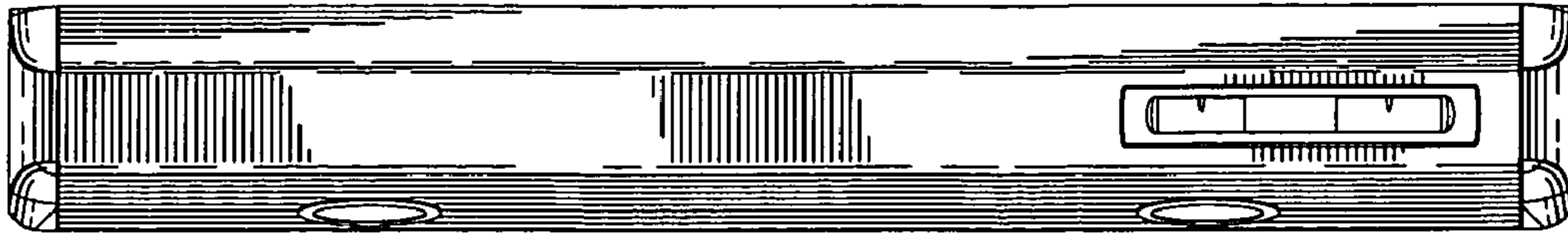


FIG. 24



FIG. 25

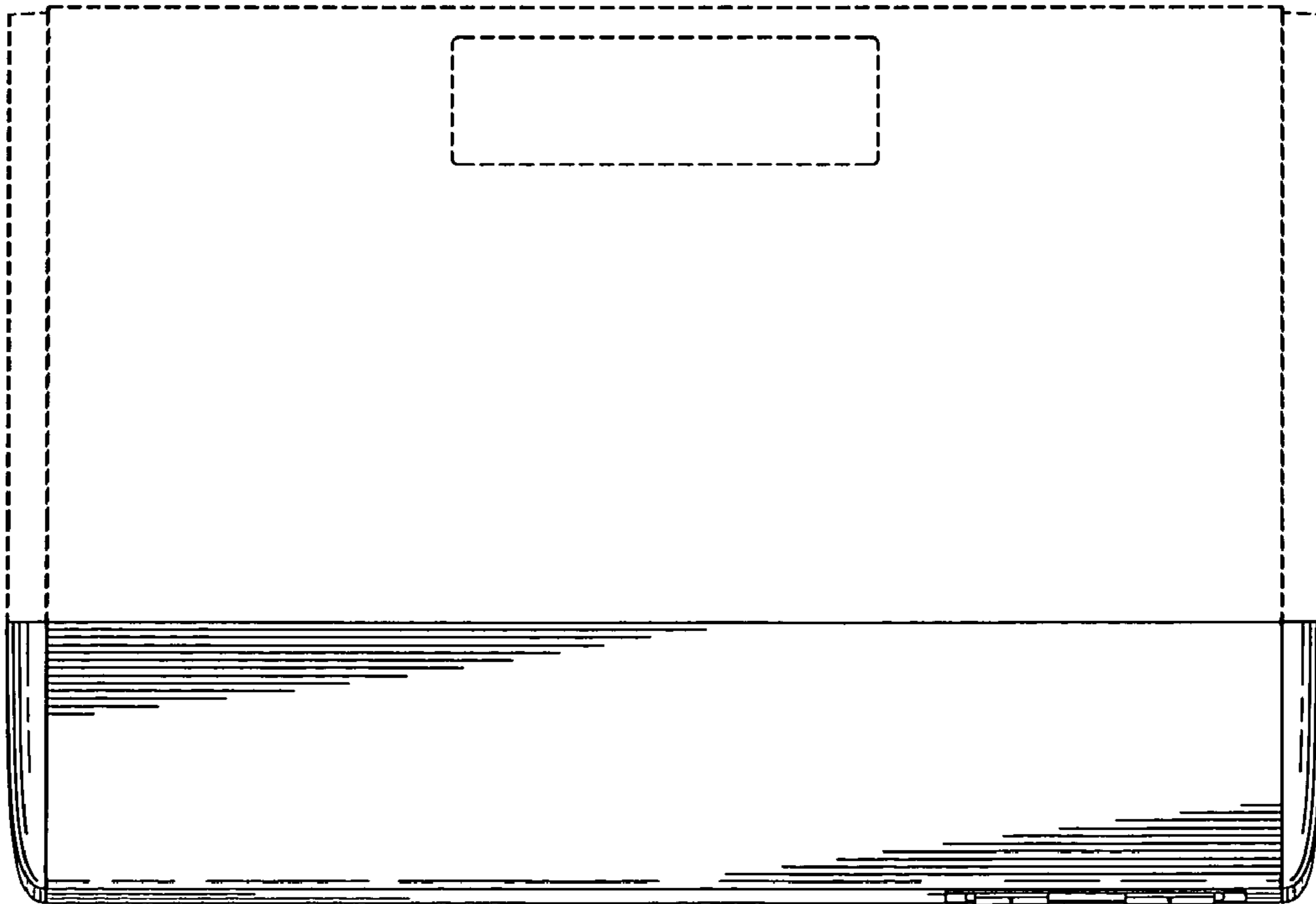


FIG. 26

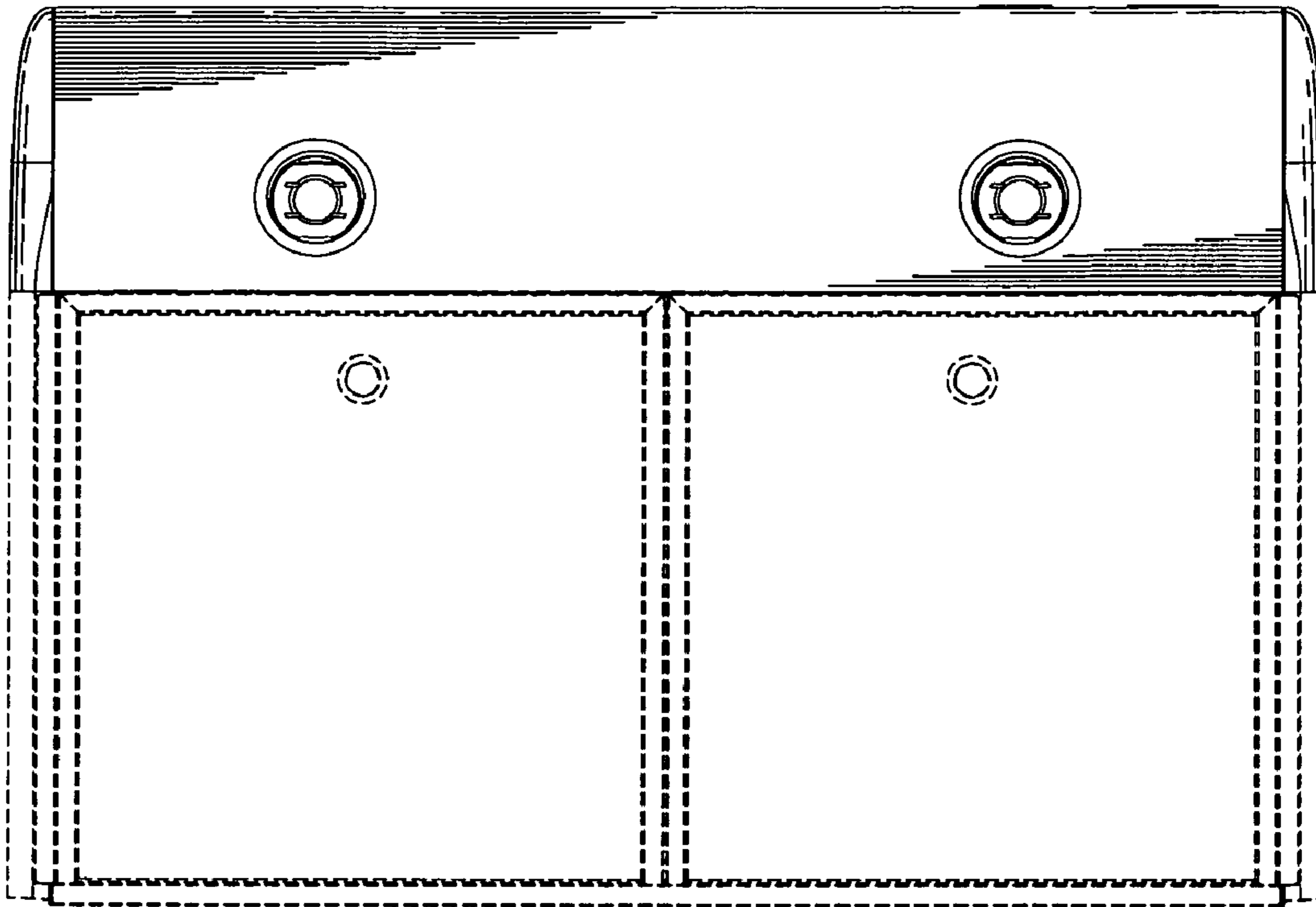


FIG. 27

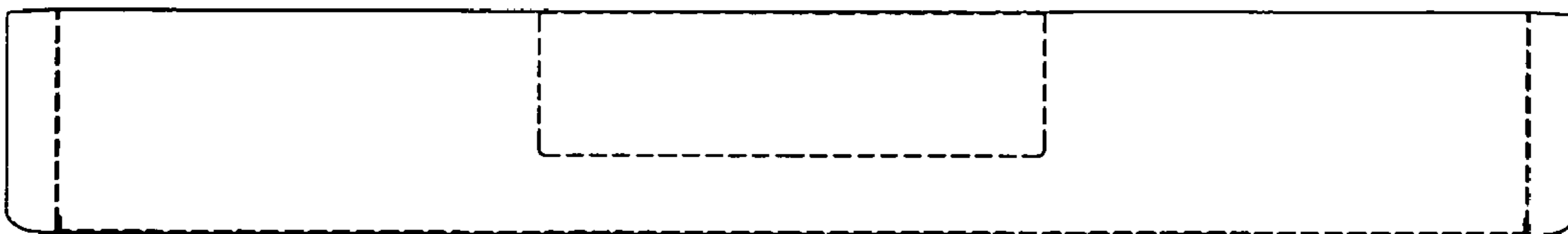


FIG. 28