



US00D594954S

(12) **United States Design Patent**
Wheatley

(10) **Patent No.:** **US D594,954 S**
(45) **Date of Patent:** **** Jun. 23, 2009**

(54) **VENT STICK AIR FRESHENER WITH BAMBOO SHAPE**

(75) Inventor: **Alan J. Wheatley**, Bluffdale, UT (US)

(73) Assignee: **American Covers, Inc.**, Bluffdale, UT (US)

(**) Term: **14 Years**

(21) Appl. No.: **29/325,498**

(22) Filed: **Oct. 1, 2008**

(51) **LOC (9) Cl.** **28-99**

(52) **U.S. Cl.** **D23/366**

(58) **Field of Classification Search** D23/355-369;
261/DIG. 17, DIG. 42, DIG. 65, DIG. 88,
261/DIG. 89; 239/34, 35, 37, 44, 53, 56,
239/57, 60, 136, 326; 392/386, 390, 394,
392/395; D28/5, 6

See application file for complete search history.

(56) **References Cited**

U.S. PATENT DOCUMENTS

2,733,333	A *	1/1956	Peters	392/393
5,193,445	A *	3/1993	Ferguson	99/482
D338,519	S *	8/1993	Peterson	D23/356
6,202,938	B1 *	3/2001	Collier	239/34
D440,294	S *	4/2001	Bilek	D23/365
6,264,887	B1	7/2001	Farmer		
D507,341	S *	7/2005	Taylor	D23/368
D535,379	S *	1/2007	Hundertmark	D23/366
D546,432	S *	7/2007	Hundertmark	D23/366
D585,971	S *	2/2009	Carrizales, Jr.	D23/366

OTHER PUBLICATIONS

www.autothing.com/Products/Air%20Fresheners/air%20freshener-clip.htm, Air Fresheners, Fresh Scents for you mobile Life, Clip-on Air Vent Clips rom Eagle O., , accessed Aug. 12, 2008, 1 page.
http://decomodo.com/articles/category/lighting/, Bamboo Pillar Candle, Jan. 8, 2008, 1 page.
www.4imprint.com/EXEC/DETAIL/FROMPRODUCTGROUP/~SKU100300/~CA100300.htm, Hot Rod Vent Stick Air Freshener (it . . . , accessed Aug. 12, 2008, 2 pages.

* cited by examiner

Primary Examiner—Sandra Snapp

(74) *Attorney, Agent, or Firm*—Thorpe North & Western, LLP

(57) **CLAIM**

The ornamental design for the vent stick air freshener with bamboo shape, as shown and described.

DESCRIPTION

FIG. 1 is a front perspective view of the vent stick air freshener with bamboo shape in accordance with my invention;

FIG. 2 is a front elevation view thereof;

FIG. 3 is a rear elevation view thereof;

FIG. 4 is a left side elevation view thereof;

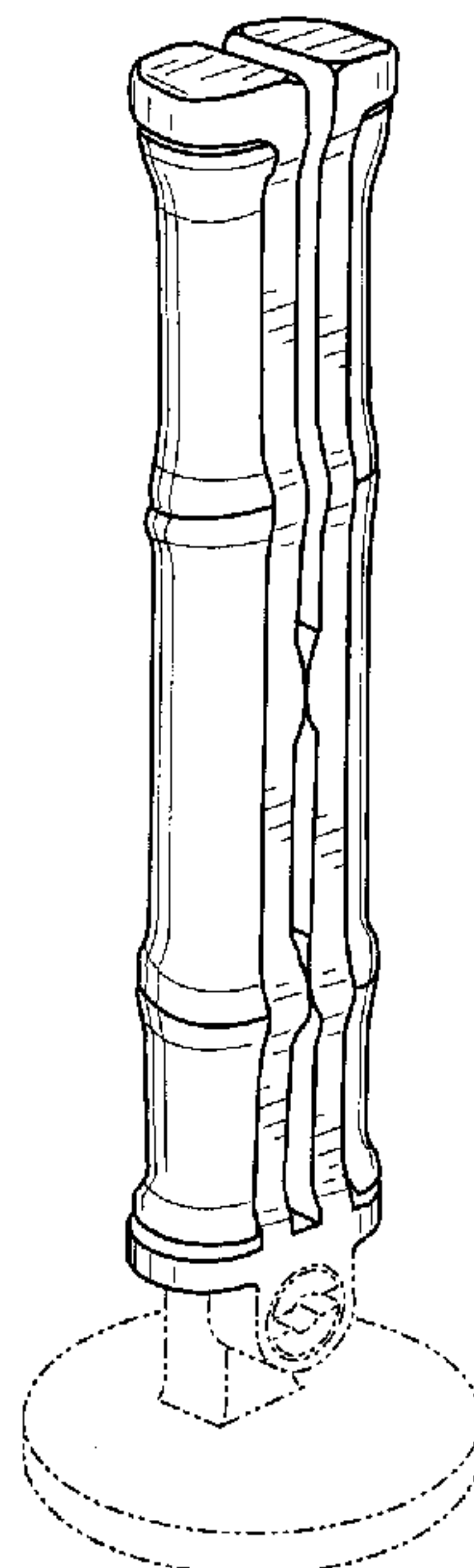
FIG. 5 is a right side elevation view thereof;

FIG. 6 is a top plan view thereof; and,

FIG. 7 is a bottom plan view thereof.

The broken lines shown in FIGS. 1-7 are for illustrative purposes only and form no part of the claimed design.

1 Claim, 3 Drawing Sheets



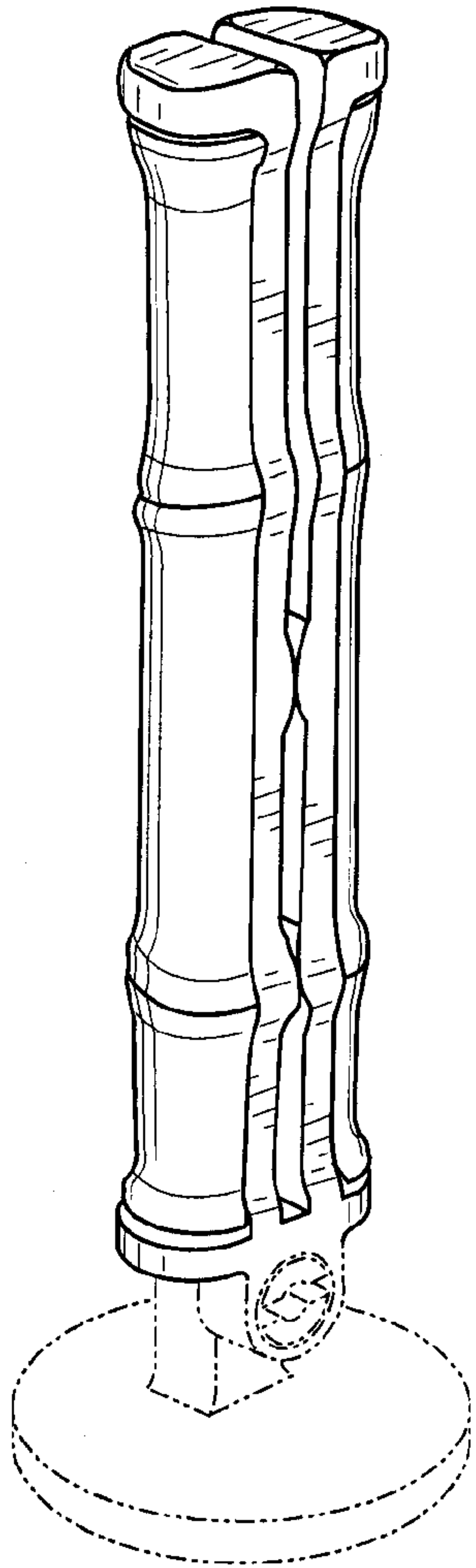


FIG. 1

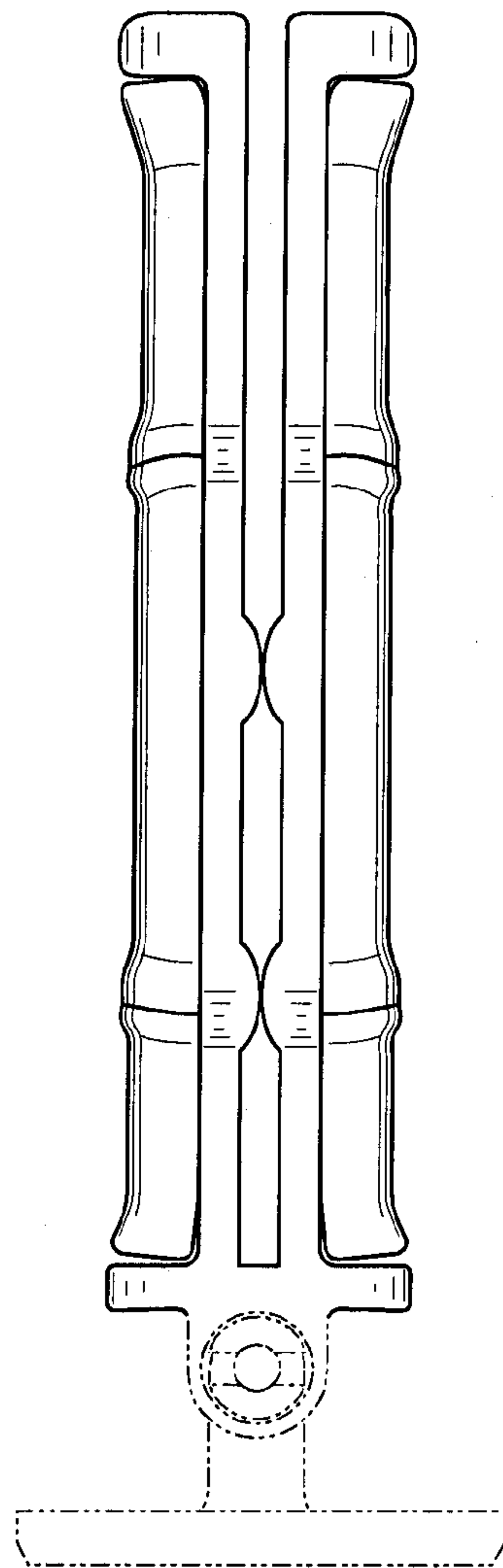


FIG. 2

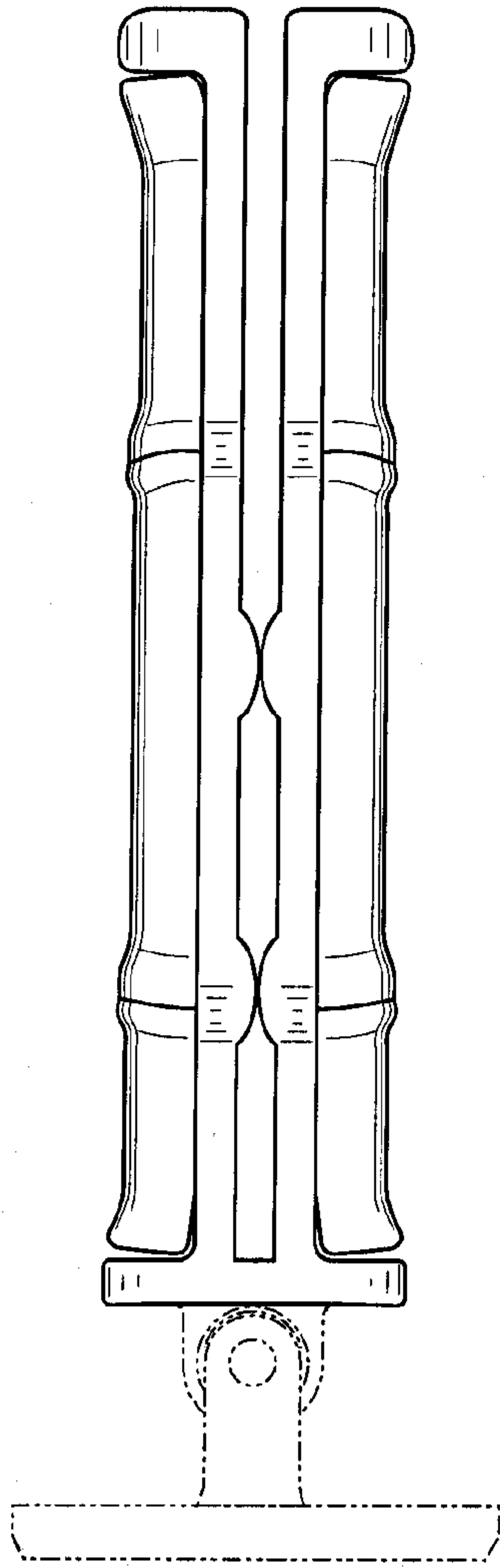


FIG. 3

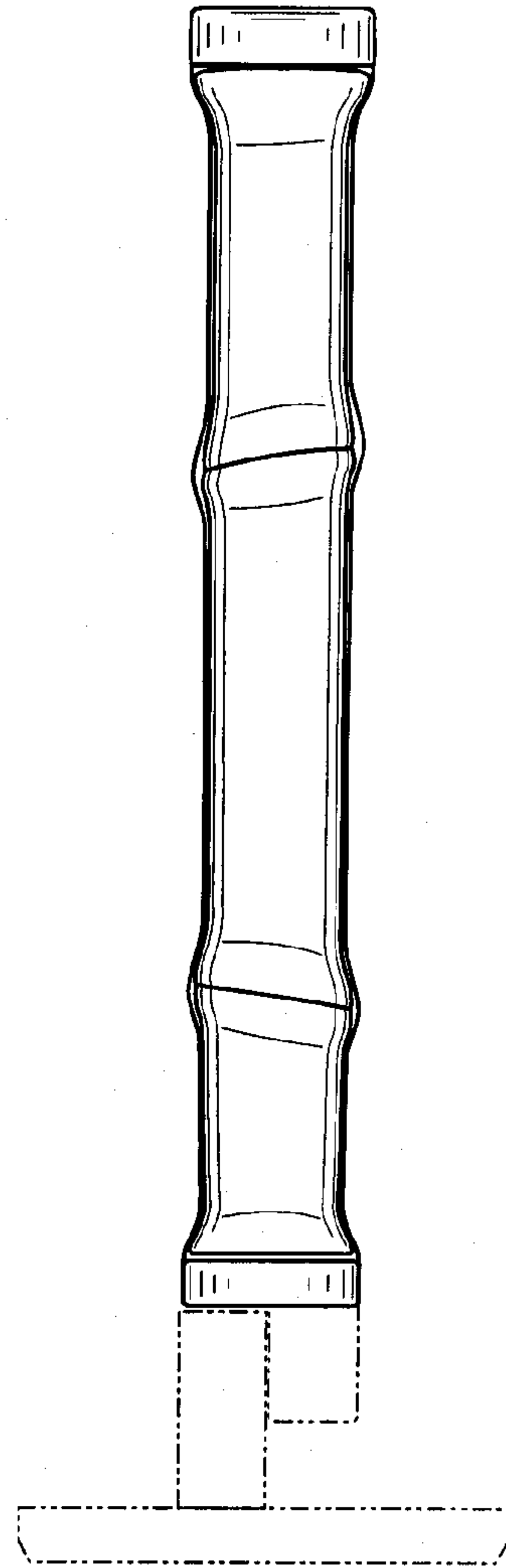


FIG. 4

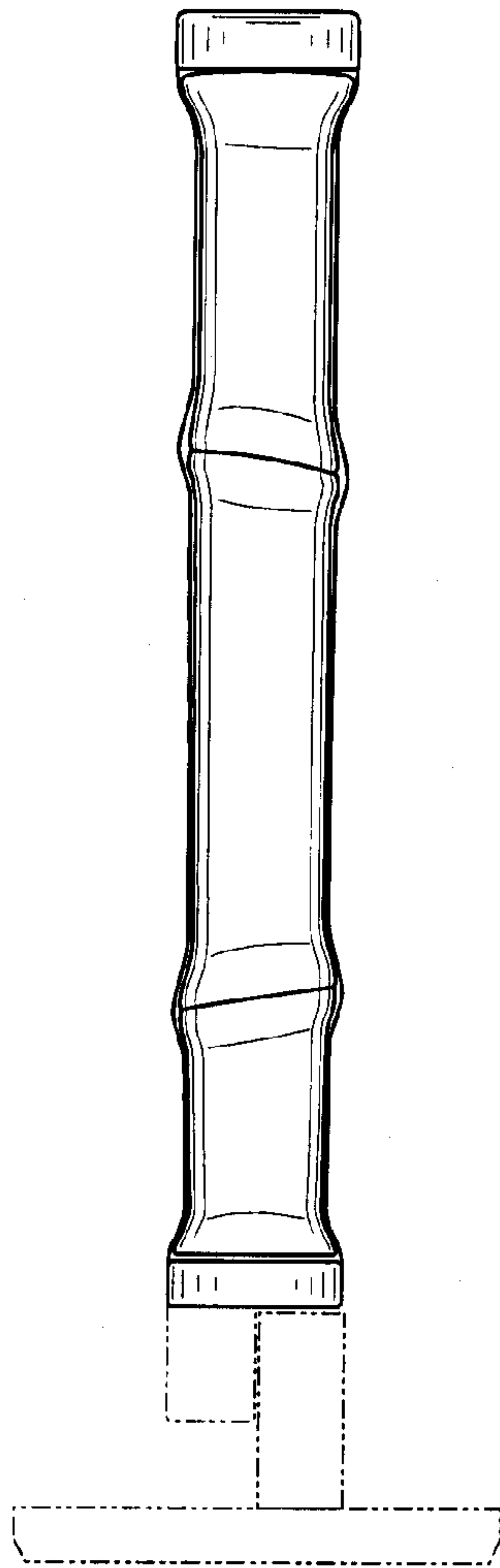


FIG. 5

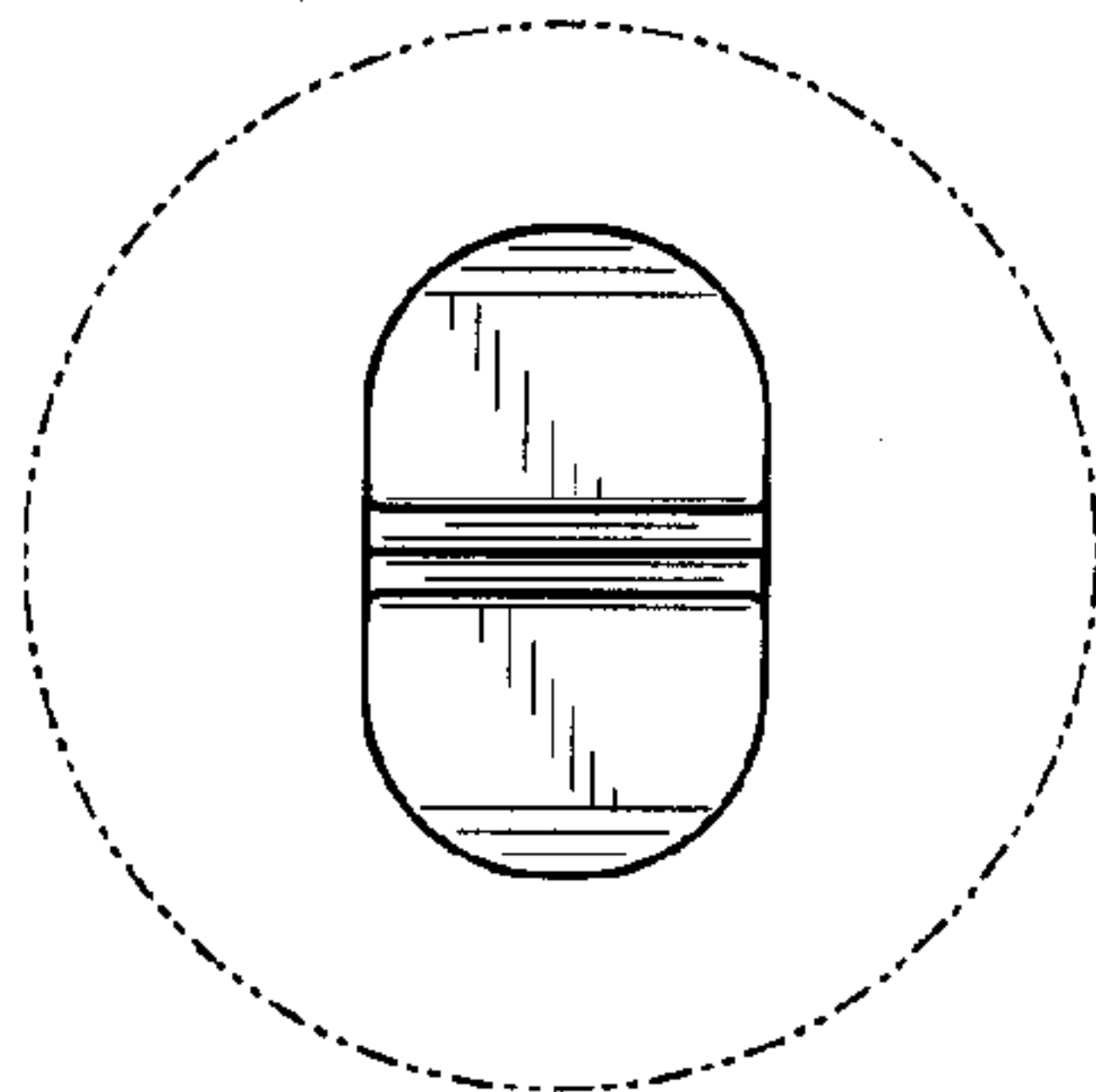


FIG. 6

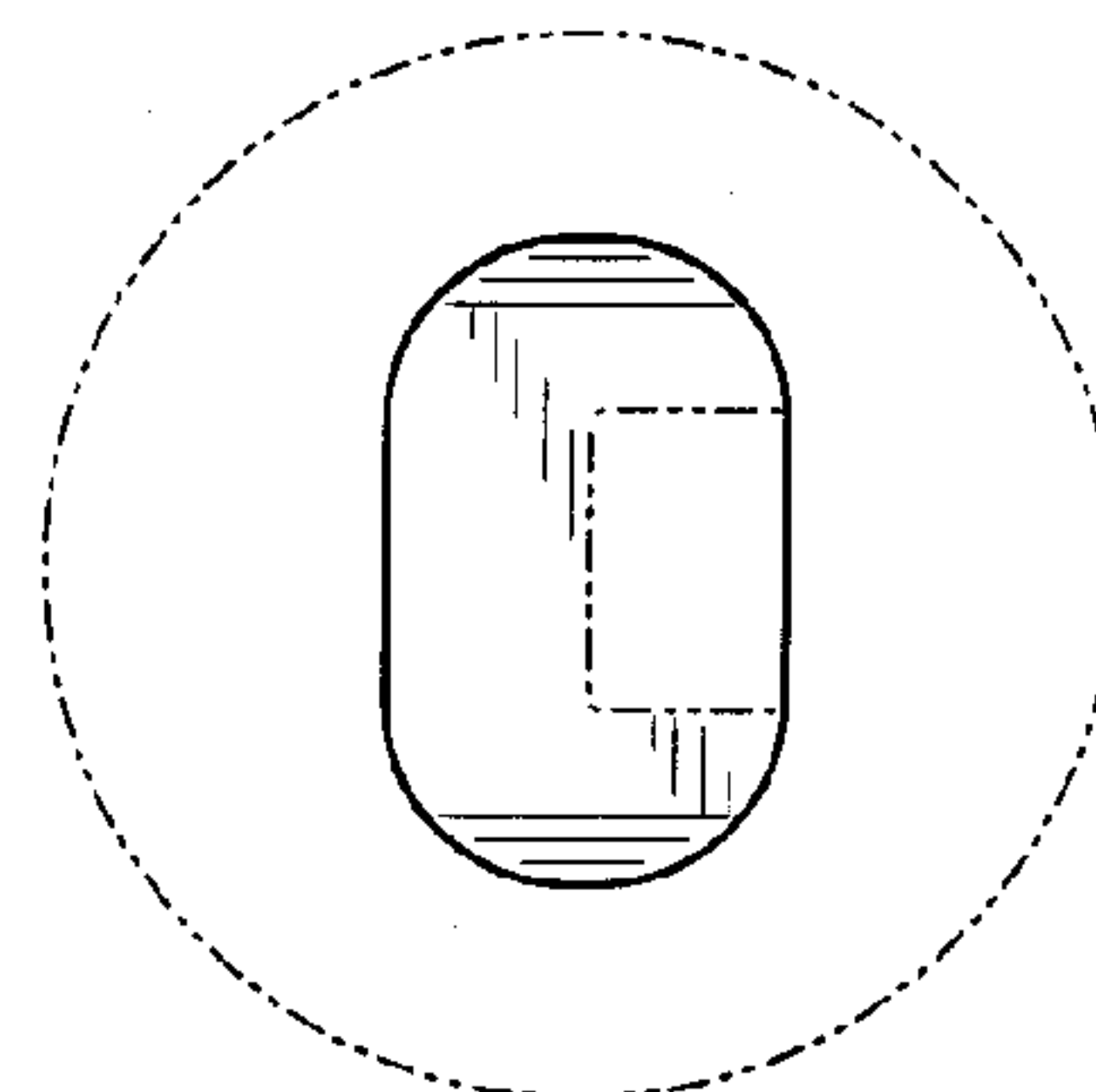


FIG. 7