



US00D594952S

(12) **United States Design Patent**
Orihara et al.

(10) **Patent No.:** **US D594,952 S**
(45) **Date of Patent:** **** Jun. 23, 2009**

(54) **CONTROL UNIT FOR IONIZER**
(75) Inventors: **Masayuki Orihara**, Tsukubamirai (JP);
Takayuki Toshida, Tsukubamirai (JP);
Akira Tadano, Tsukubamirai (JP)
(73) Assignee: **SMC Corporation**, Chiyoda-ku, Tokyo
(JP)

5,521,357 A * 5/1996 Lock et al. 219/543
5,527,493 A * 6/1996 McElfresh et al. 261/30
D373,416 S * 9/1996 Ford et al. D23/364
D374,713 S * 10/1996 Ford et al. D23/364
D375,713 S * 11/1996 Alamian D12/191
D396,275 S * 7/1998 Pearson D23/355
D460,542 S * 7/2002 Li D23/328
D464,414 S * 10/2002 Sekoguchi et al. D23/355
D543,614 S * 5/2007 Chen D23/382

(**) Term: **14 Years**
(21) Appl. No.: **29/312,436**
(22) Filed: **Oct. 20, 2008**

* cited by examiner
Primary Examiner—Sandra Snapp
(74) *Attorney, Agent, or Firm*—Yokoi & Co., U.S.A., Inc.;
Peter Ganjian

(30) **Foreign Application Priority Data**
Apr. 21, 2008 (JP) 2008-010241

(57) **CLAIM**
The ornamental design for a control unit for ionizer, as shown
and described.

(51) **LOC (9) Cl.** **28-99**
(52) **U.S. Cl.** **D23/366**
(58) **Field of Classification Search** D23/355-370,
D23/381, 382, 335, 336, 338; 261/DIG. 17,
261/DIG. 42, DIG. 65, DIG. 88, DIG. 89;
239/34, 35, 37, 44, 53, 56, 57, 60, 136, 326;
392/386, 390, 394, 395; D28/5, 6
See application file for complete search history.

DESCRIPTION

FIG. 1 shows a front view of a control unit for ionizer showing
my new design;
FIG. 2 shows a rear view thereof;
FIG. 3 shows a right side view thereof;
FIG. 4 shows a left side view thereof;
FIG. 5 shows a top view thereof;
FIG. 6 shows a bottom view thereof;
FIG. 7 shows a top, front and right side perspective view
thereof;
FIG. 8 shows a bottom, front and right side perspective view
thereof; and,
FIG. 9 shows a bottom, rear and left side perspective view
thereof.

(56) **References Cited**
U.S. PATENT DOCUMENTS
2,611,068 A * 9/1952 Wellens 392/392
2,931,880 A * 4/1960 Yaffe 392/390
D279,815 S * 7/1985 Yuen D23/356
4,849,606 A * 7/1989 Martens et al. 392/390
D317,043 S * 5/1991 Glucksman et al. D23/364
D323,210 S * 1/1992 Wortham D23/364
D345,787 S * 4/1994 Martin D23/366
D357,311 S * 4/1995 Yehl D23/364
5,478,505 A * 12/1995 McElfresh et al. 261/30

1 Claim, 5 Drawing Sheets

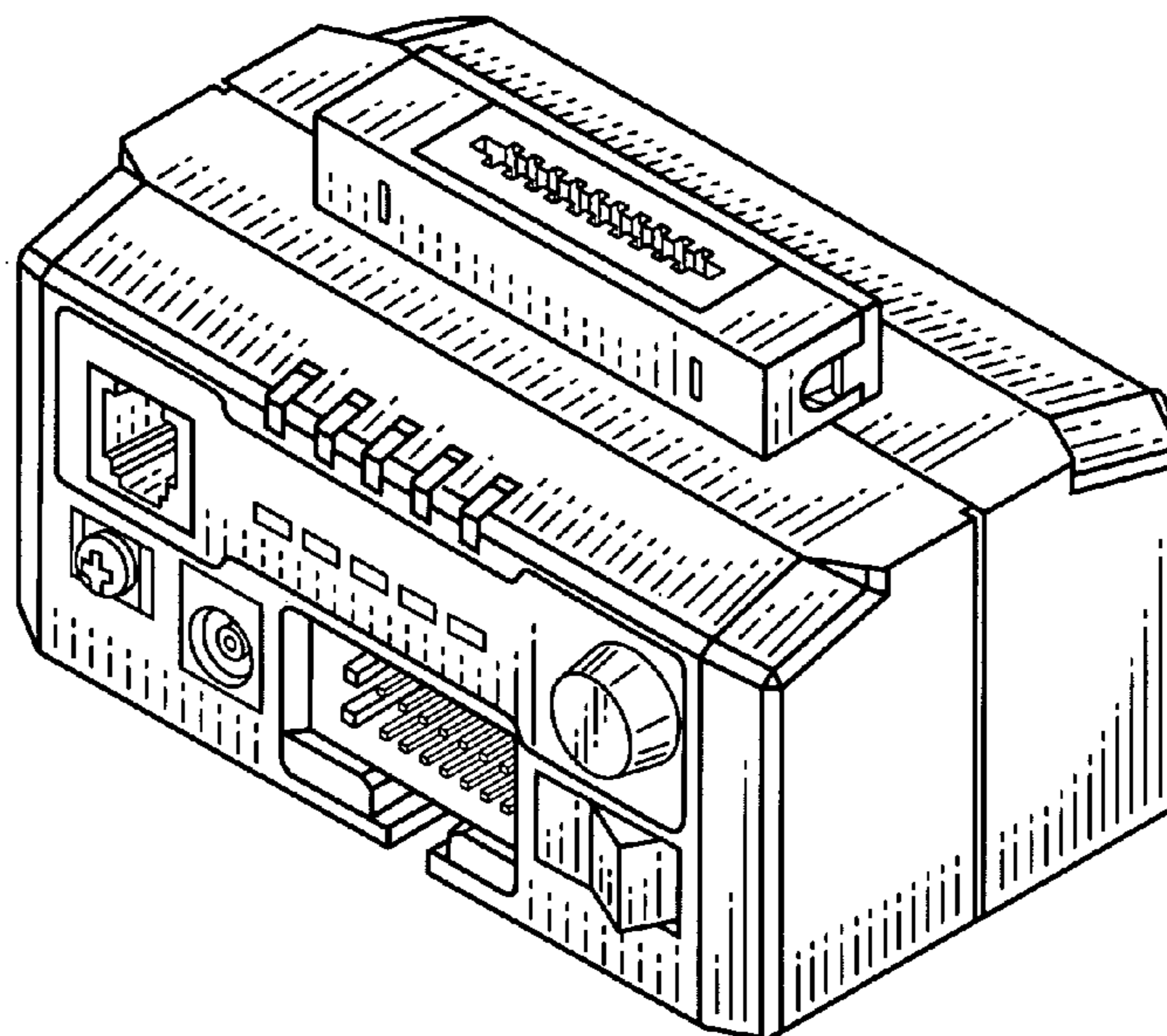


FIG. 1

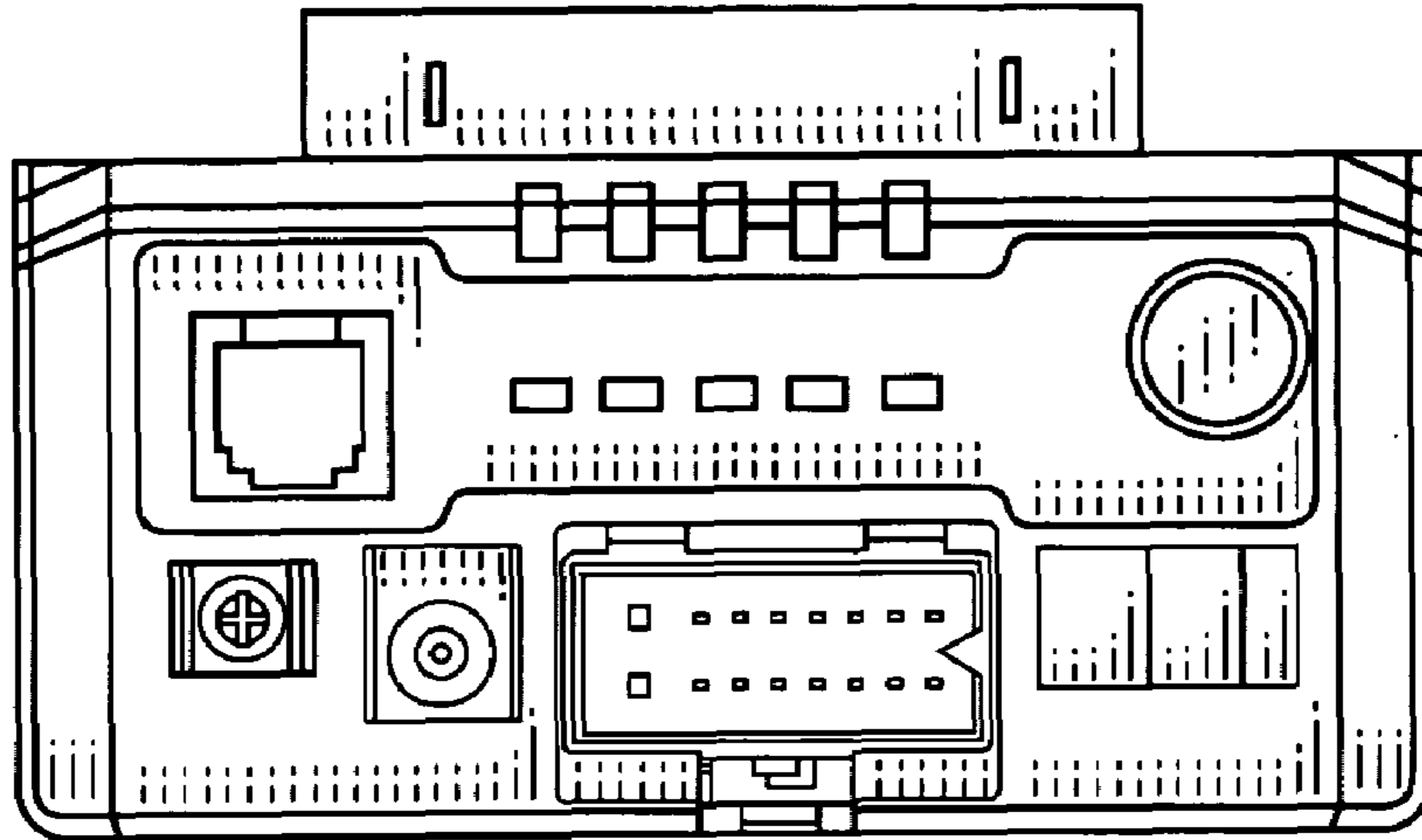


FIG. 2

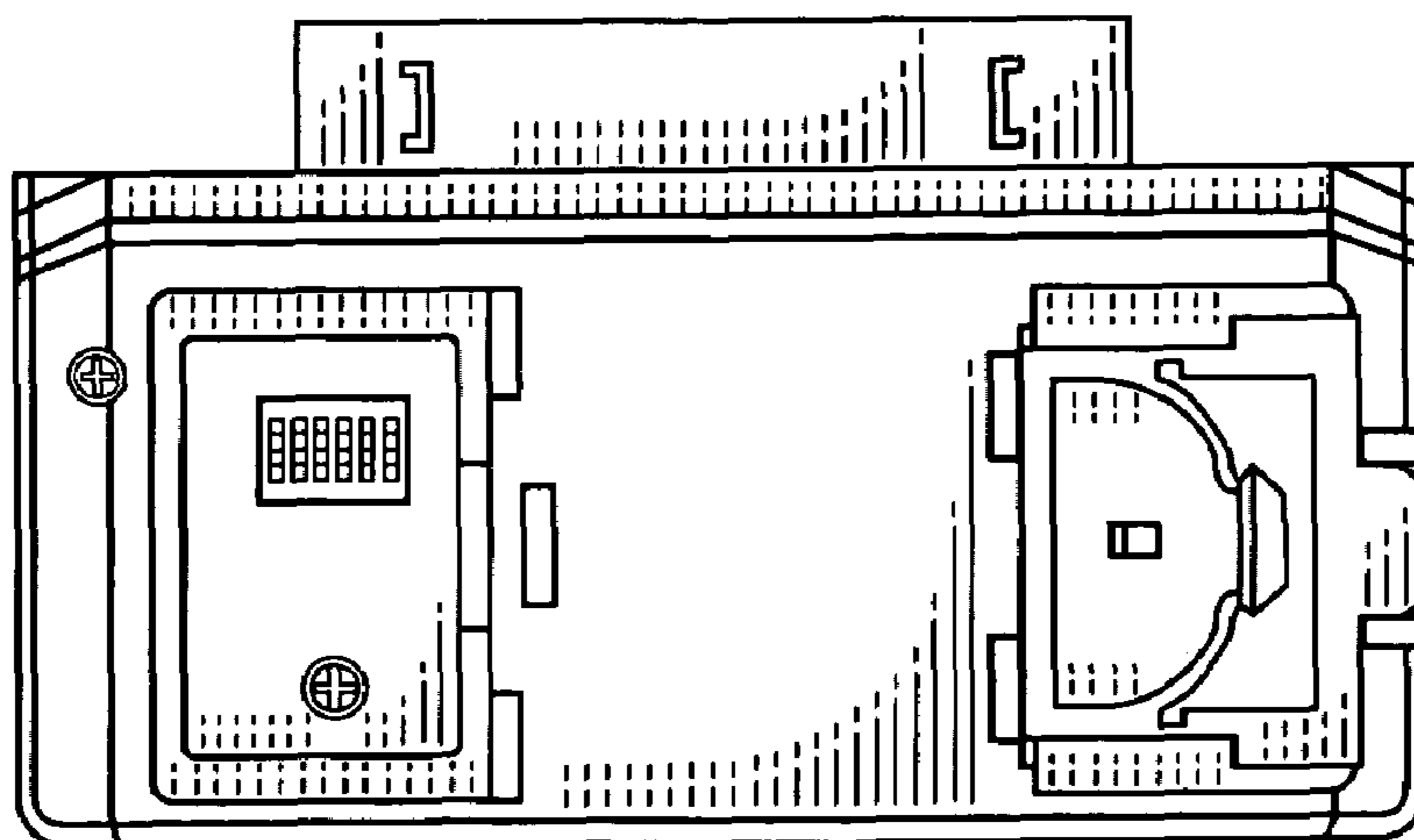


FIG. 3

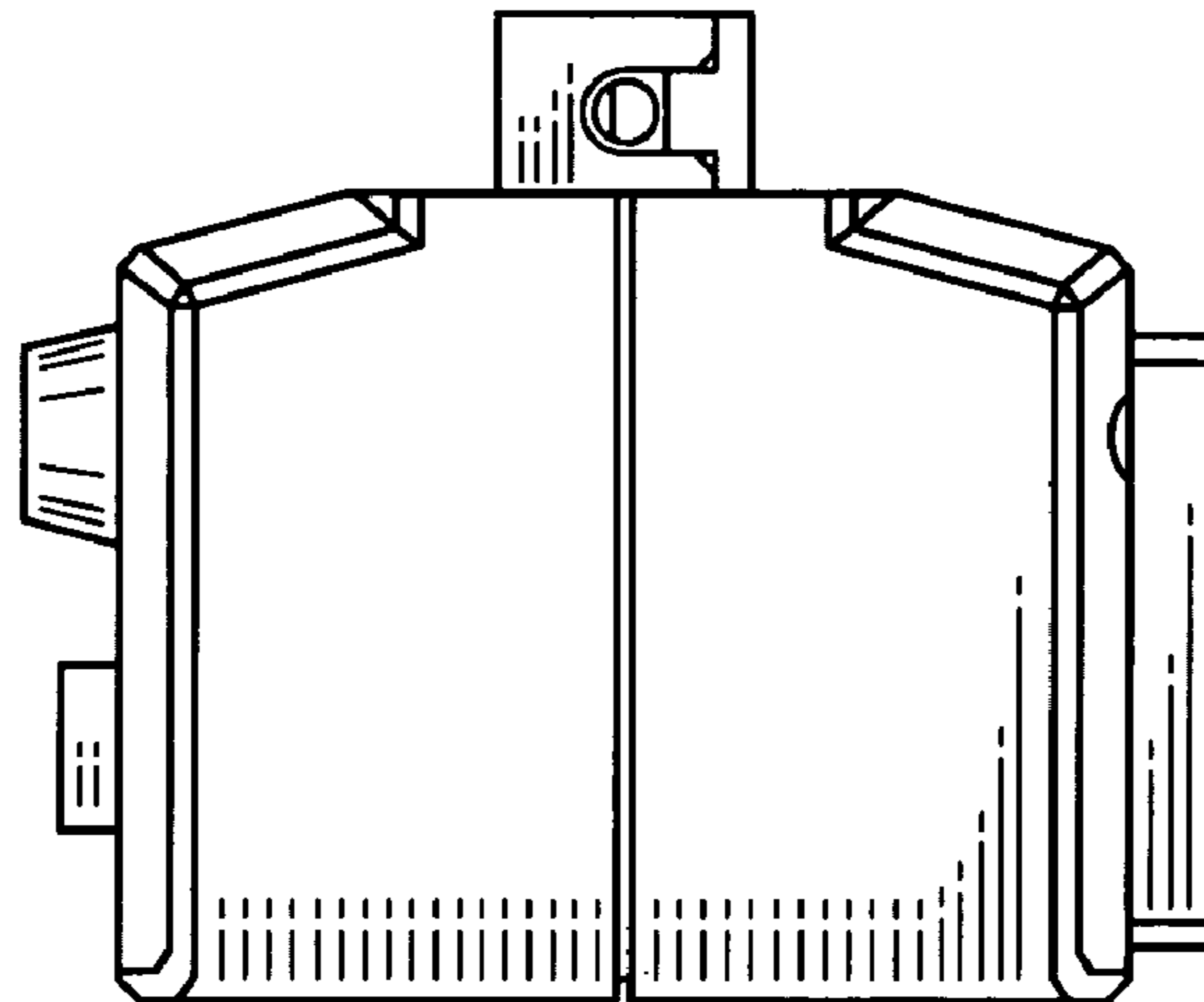


FIG. 4

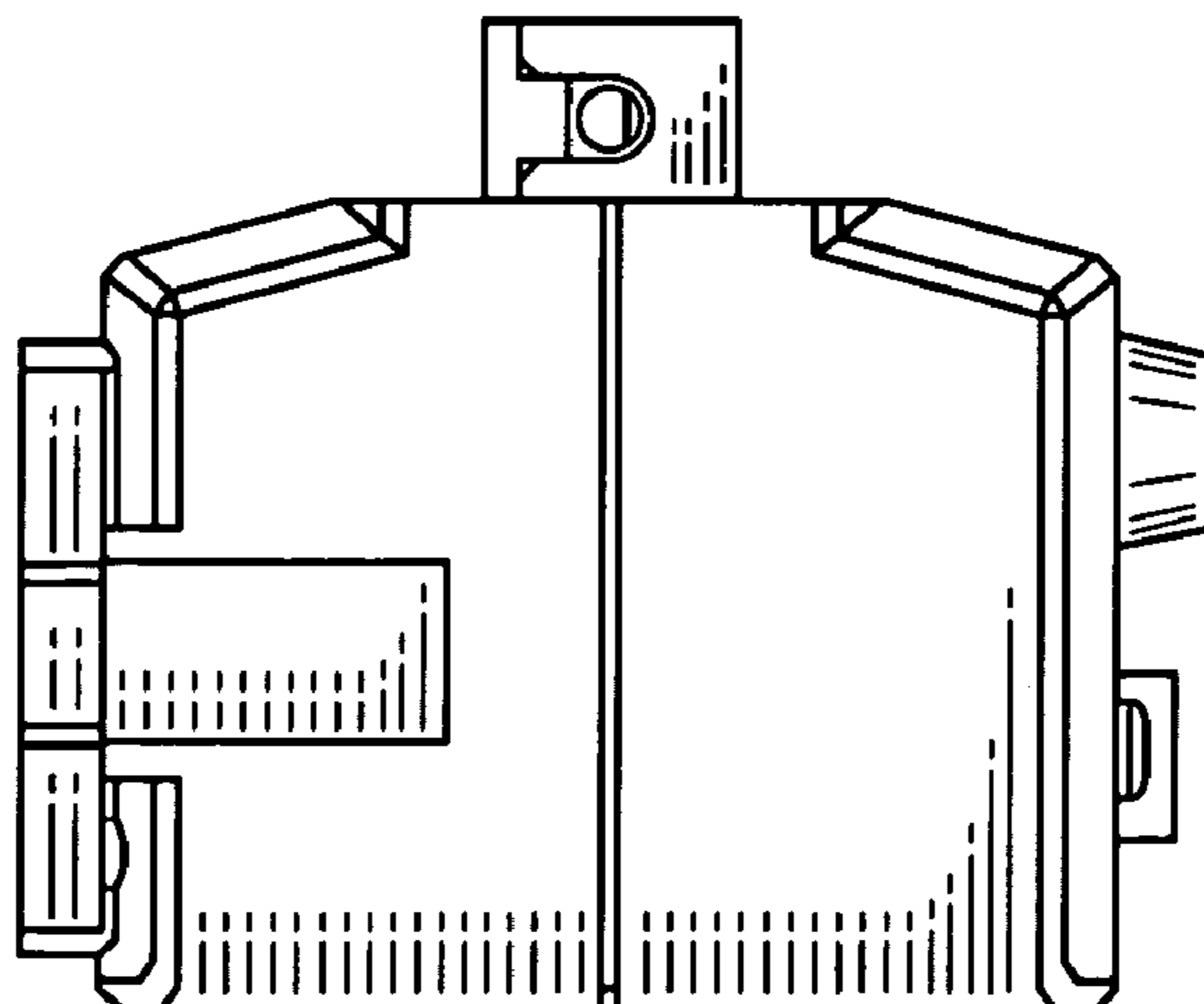


FIG. 5

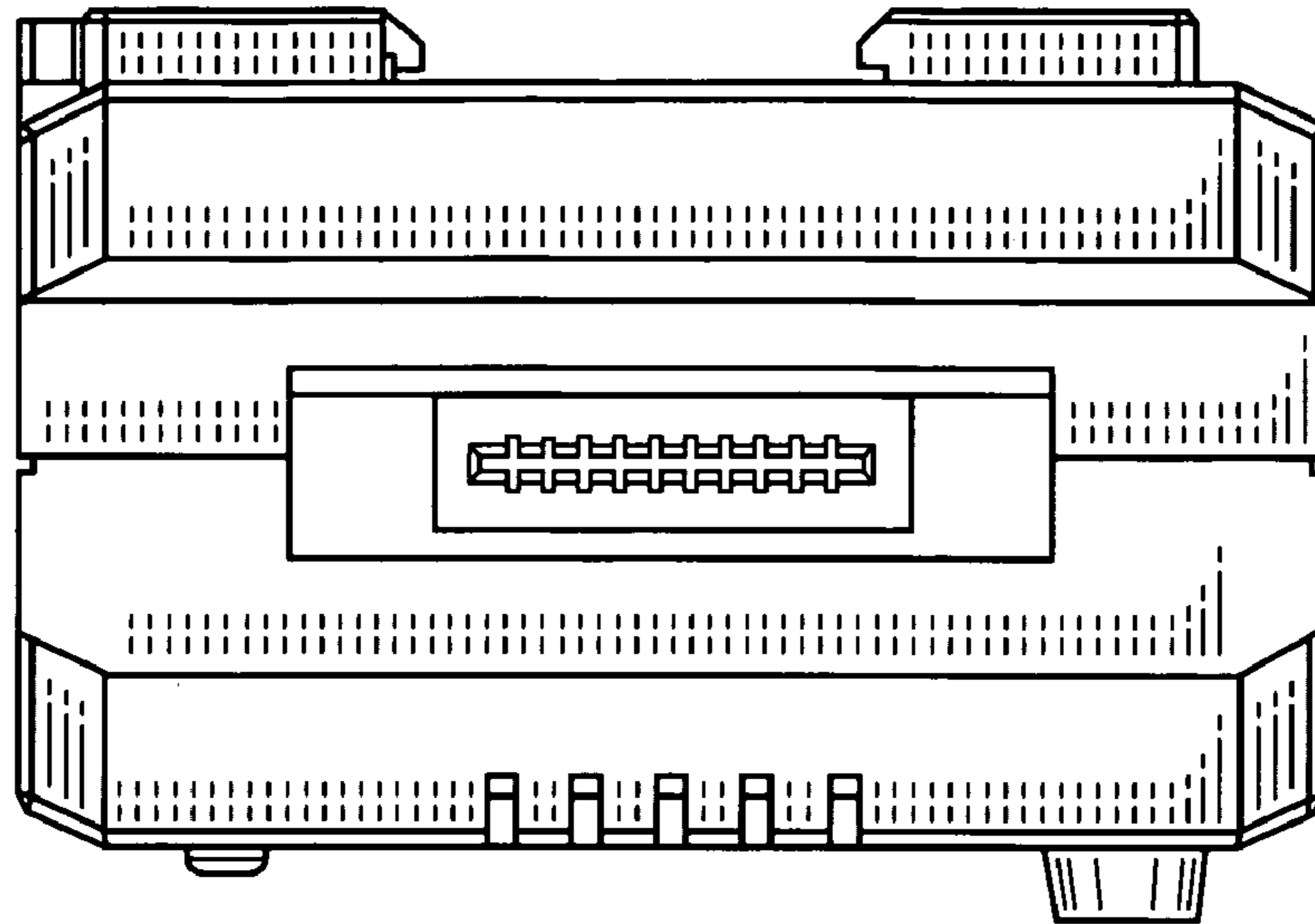


FIG. 6

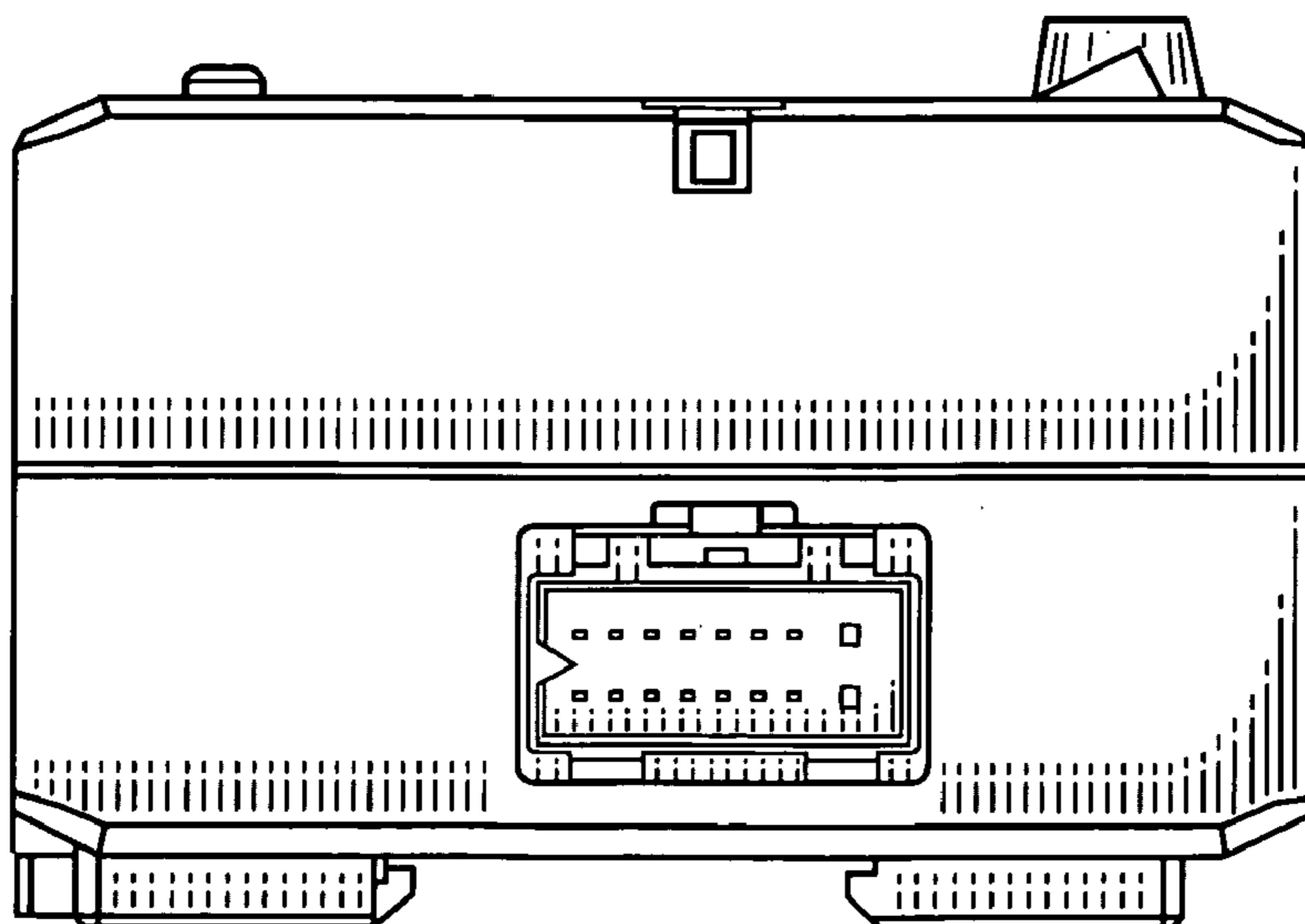


FIG. 7

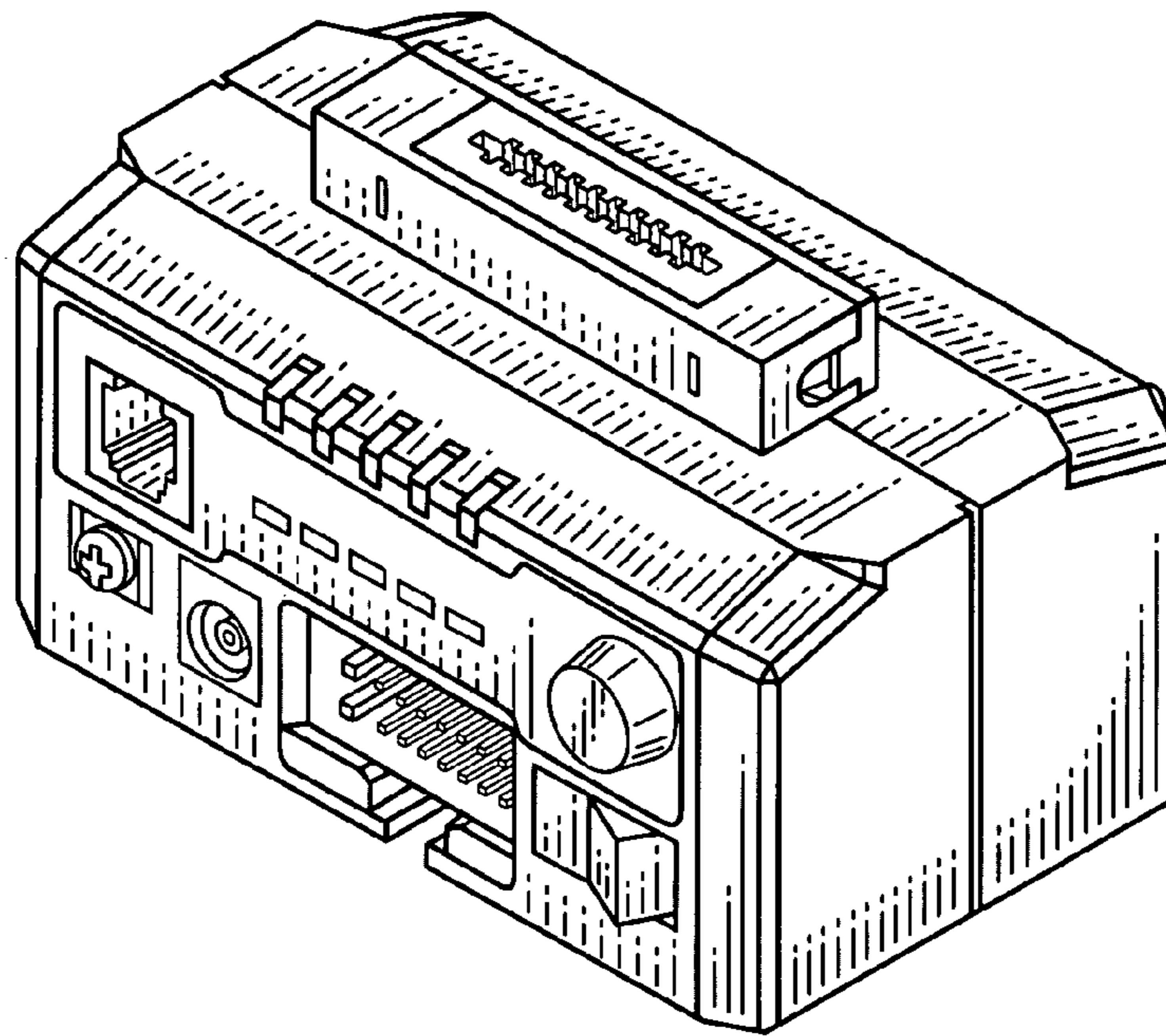


FIG. 8

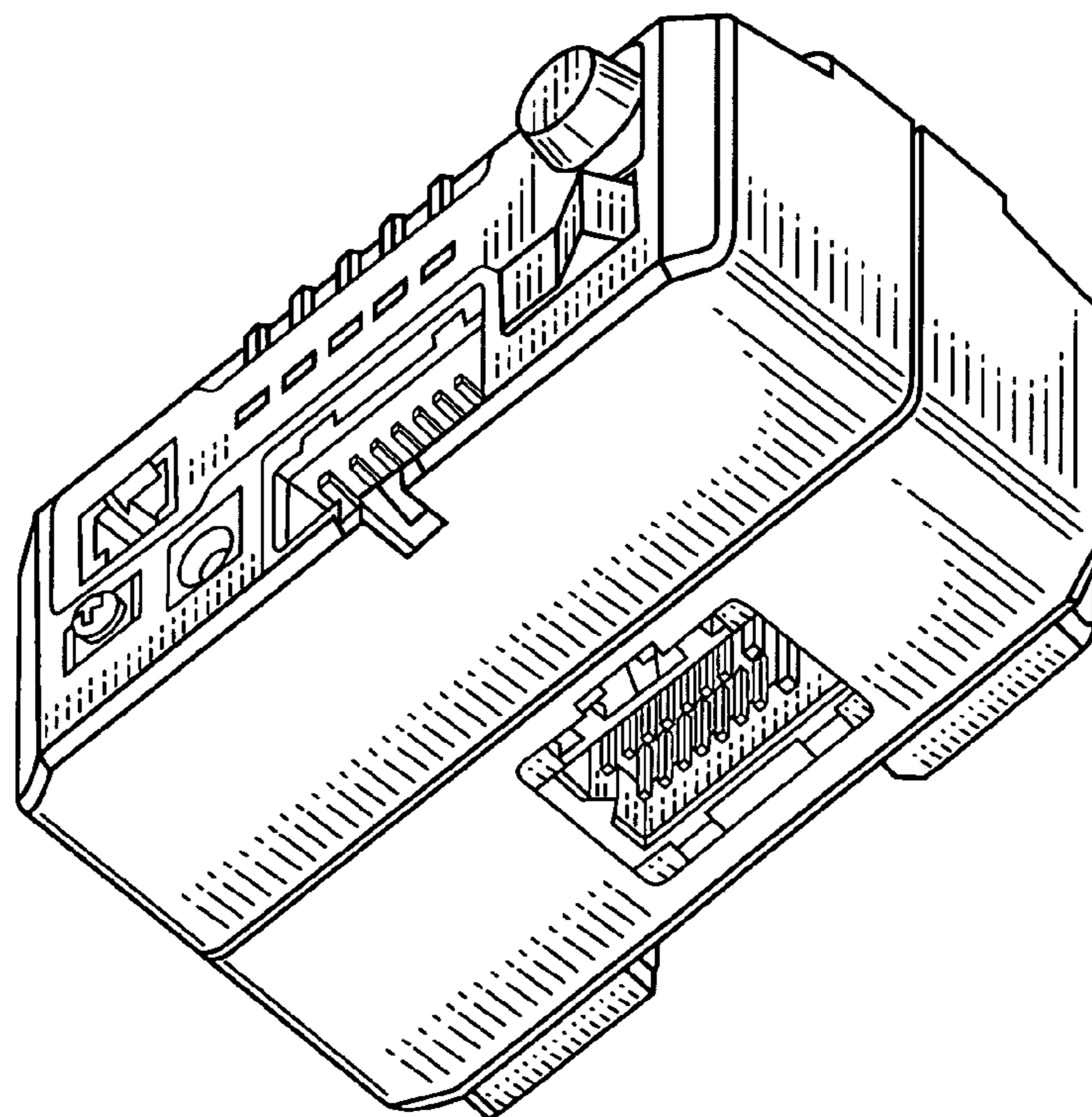


FIG. 9

