



US00D594946S

(12) **United States Design Patent**
Gilbert

(10) **Patent No.:** **US D594,946 S**
(45) **Date of Patent:** **** Jun. 23, 2009**

(54) **SEAT**
(75) **Inventor:** **Christopher Jon Gilbert**, Moreland Hills, OH (US)
(73) **Assignee:** **Moen Incorporated**, North Olmsted, OH (US)

D397,426 S 8/1998 Woods
6,035,462 A 3/2000 Bennett et al.
6,418,567 B1 7/2002 Brinkman
D482,765 S 11/2003 Ming-Hwa
D520,616 S 5/2006 Sharp
D582,529 S * 12/2008 Henshaw et al. D23/295
2003/0070220 A1 4/2003 Peterson et al.
2003/0217409 A1 11/2003 Catanescu et al.
2004/0148691 A1 8/2004 Peterson et al.
2005/0039250 A1 2/2005 Krause
2007/0089227 A1 4/2007 Battiston

(**) **Term:** **14 Years**
(21) **Appl. No.:** **29/322,691**

* cited by examiner

(22) **Filed:** **Aug. 8, 2008**

Primary Examiner—Robert A Delehanty
(74) *Attorney, Agent, or Firm*—Calfee, Halter & Griswold LLP

(51) **LOC (9) Cl.** **23-01**
(52) **U.S. Cl.** **D23/311**
(58) **Field of Classification Search** D23/273–274,
D23/303, 309, 311; 4/663–664, 444, 485–486,
4/661, 234, 237, 242.1, 245.1, 902, DIG. 15,
4/217

(57) **CLAIM**

The ornamental design for a seat, as shown and described.

See application file for complete search history.

DESCRIPTION

(56) **References Cited**

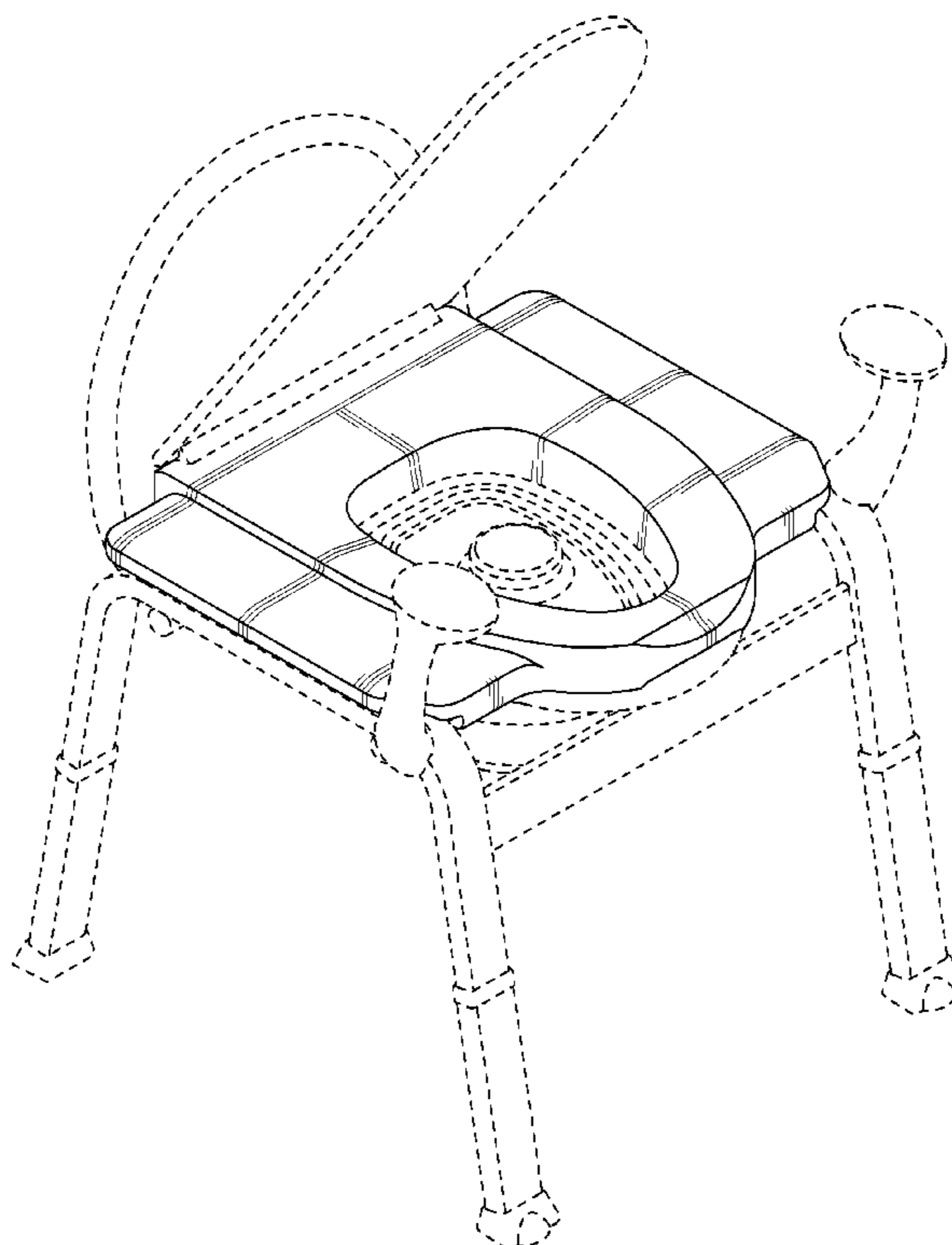
FIG. 1 is a perspective view of a seat of the new design;
FIG. 2 is a front elevational view of the seat of FIG. 1;
FIG. 3 is a rear elevational view of the seat of FIG. 1;
FIG. 4 is a left side elevational view of the seat of FIG. 1, the right side elevational view being a mirror image; and,
FIG. 5 is a top plan view of the seat of FIG. 1.

U.S. PATENT DOCUMENTS

3,854,773 A 12/1974 Thomas
D234,769 S 4/1975 Thomas
D236,345 S 8/1975 Thomas
D260,583 S 9/1981 Brewer
D276,931 S 12/1984 Bard
4,837,868 A 6/1989 Allen
4,962,551 A 10/1990 Bly
5,289,596 A 3/1994 Rose et al.
D355,710 S 2/1995 Hostetler et al.
D377,971 S 2/1997 Vanakkeren et al.

The broken line showing of a chair and toilet seat lid is included for the purpose of illustrating the seat and forms no part of the claimed design.

1 Claim, 5 Drawing Sheets



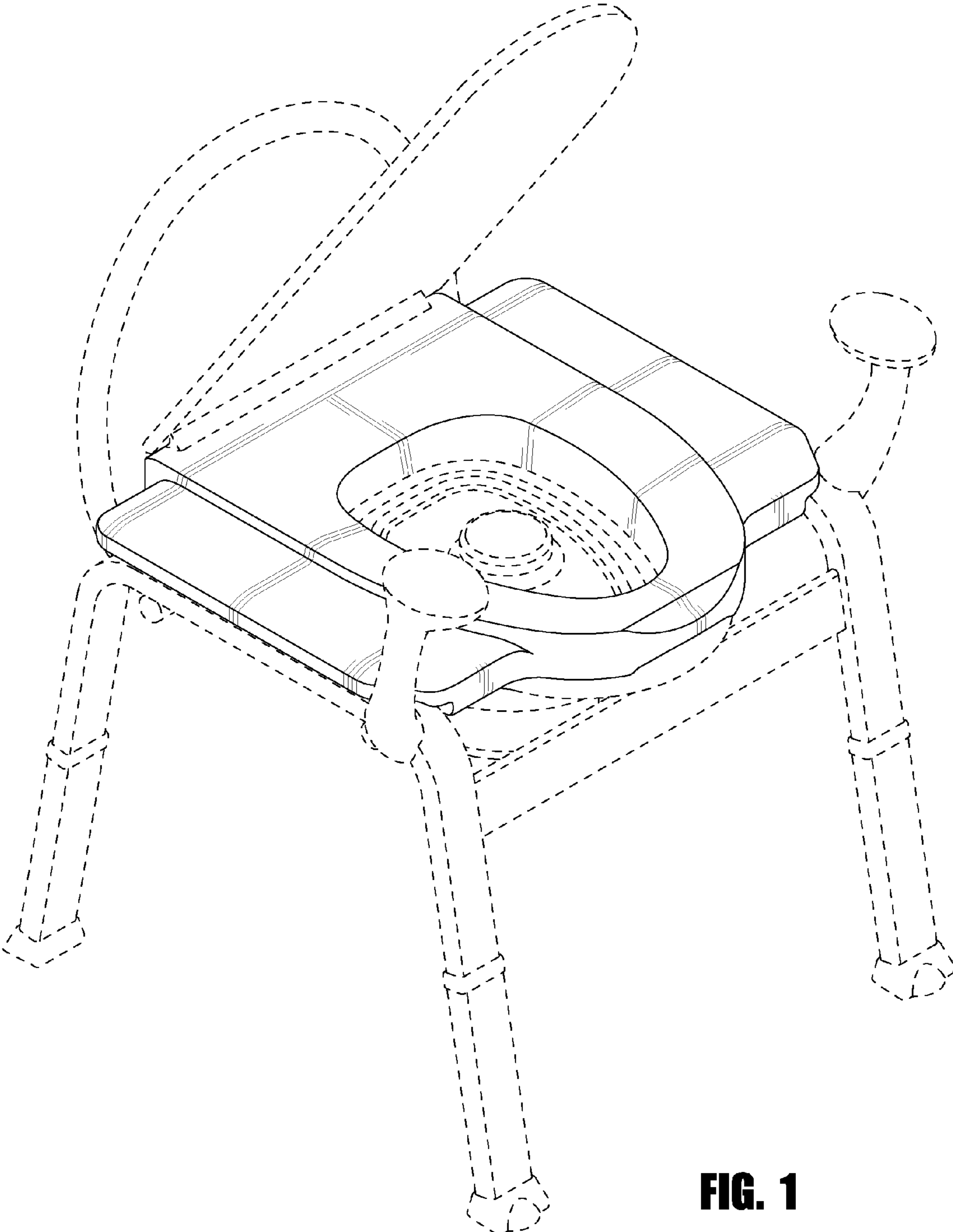


FIG. 1

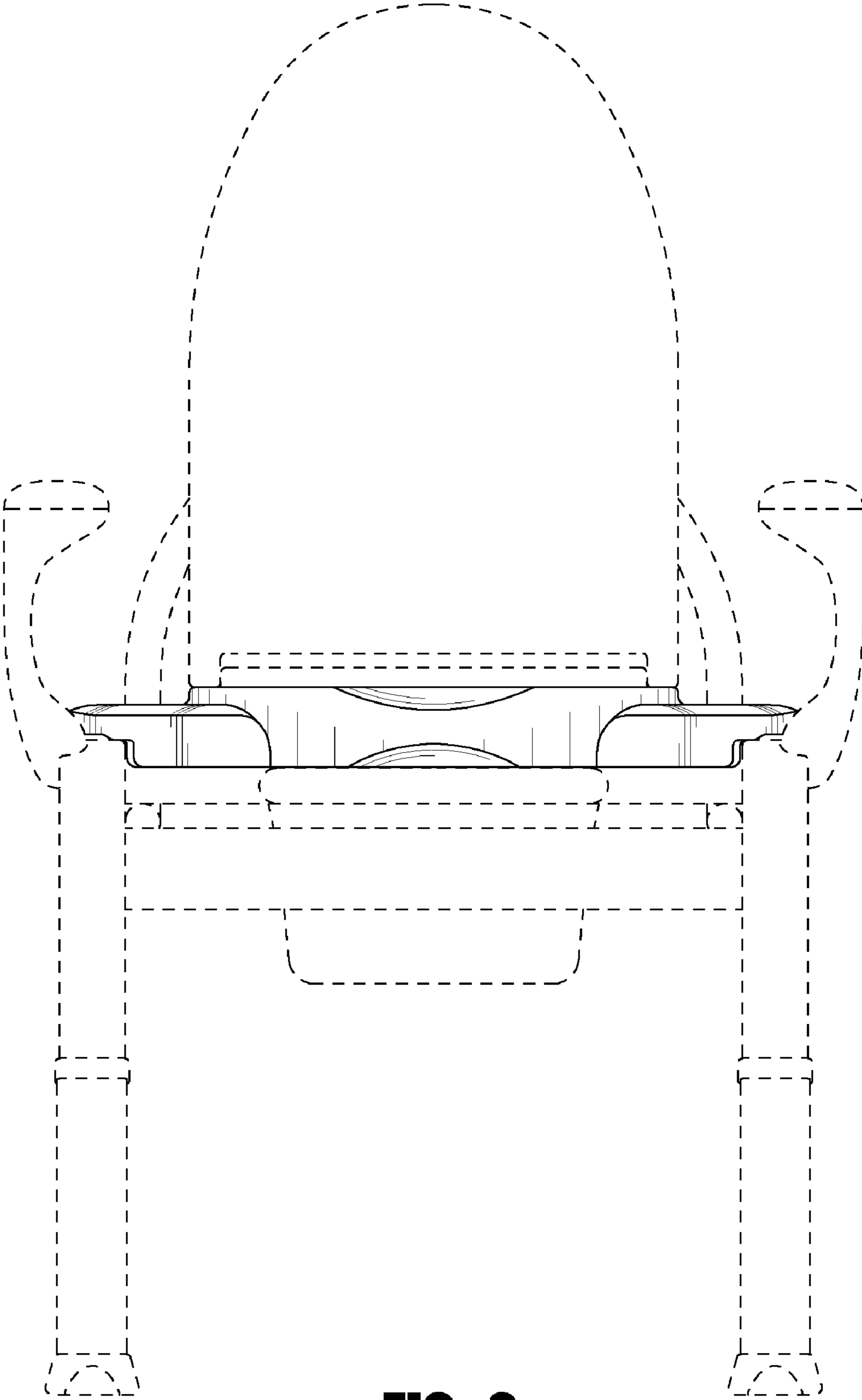


FIG. 2

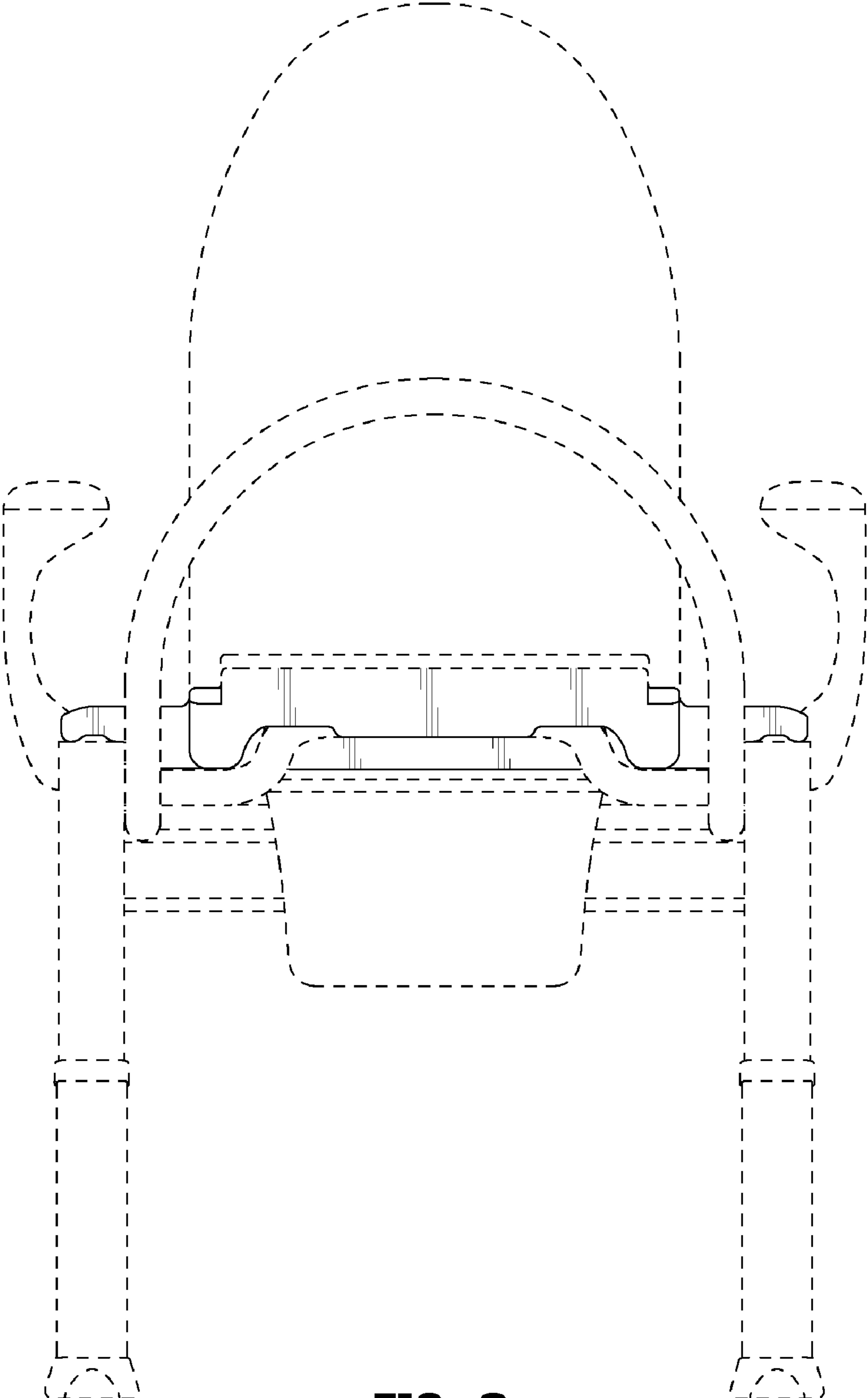


FIG. 3

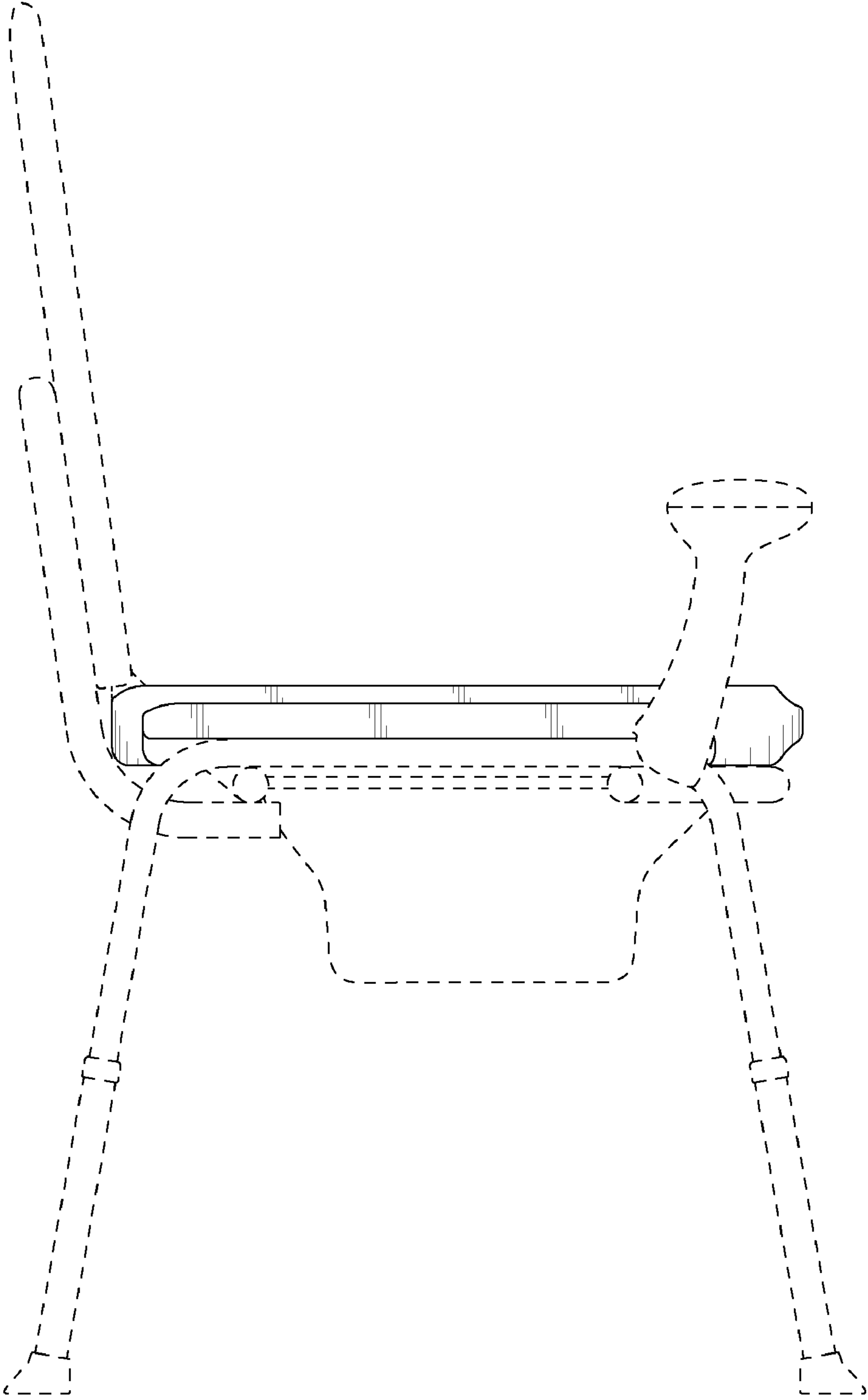


FIG. 4

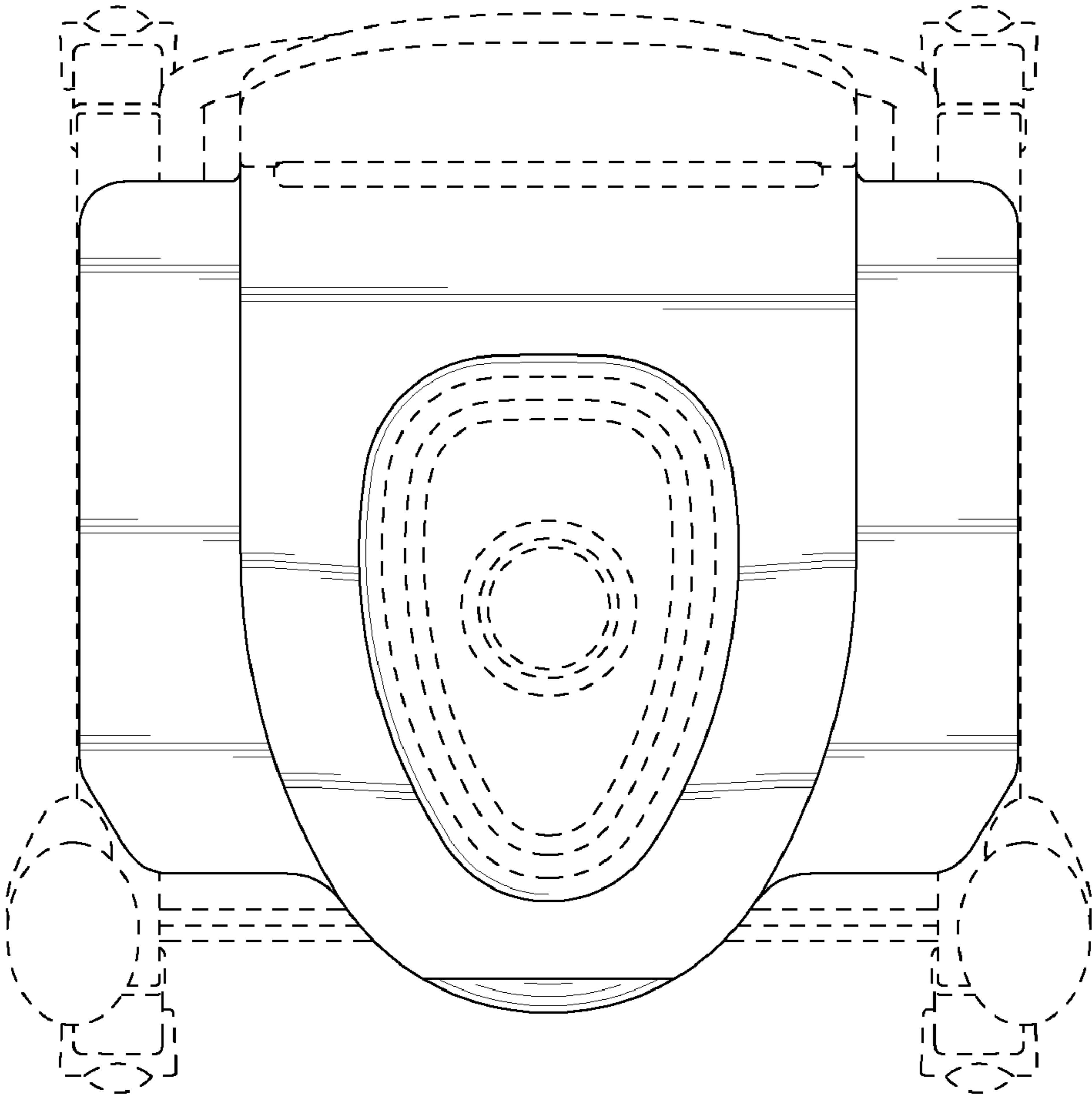


FIG. 5