



US00D594943S

(12) **United States Design Patent**
Starck

(10) **Patent No.:** **US D594,943 S**
(45) **Date of Patent:** **** Jun. 23, 2009**

(54) **WATER CLOSET**

(74) *Attorney, Agent, or Firm*—Jordan and Hamburg LLP

(75) Inventor: **Philippe Starck**, Paris (FR)

(57) **CLAIM**

(73) Assignee: **Duravit AG**, Hornberg (DE)

The ornamental design for a water closet, as shown and described.

(**) Term: **14 Years**

(21) Appl. No.: **29/310,283**

(22) Filed: **Aug. 7, 2008**

DESCRIPTION

(51) **LOC (9) Cl.** **23-02**

(52) **U.S. Cl.** **D23/301**

(58) **Field of Classification Search** D23/273–274,
D23/299–301, 303, 309, 313; 4/663–664,
4/328, 329, 353, 420, 661, DIG. 15

See application file for complete search history.

FIG. 1 is a perspective view of a water closet showing one embodiment of my new design;

FIG. 2 is a left side elevational view thereof;

FIG. 3 is a front perspective view thereof;

FIG. 4 is a rear elevational view thereof;

FIG. 5 is a perspective view thereof showing the seat cover in an open position;

FIG. 6 is a perspective view thereof showing the seat cover and the seat in an open position; and,

FIG. 7 is a bottom plan view thereof.

The right side elevational view is a mirror image of the left side elevational view.

The broken lines showing of portions of the bottom surface of the toilet are for illustrative purposes only and form no part of the claimed design.

(56) **References Cited**

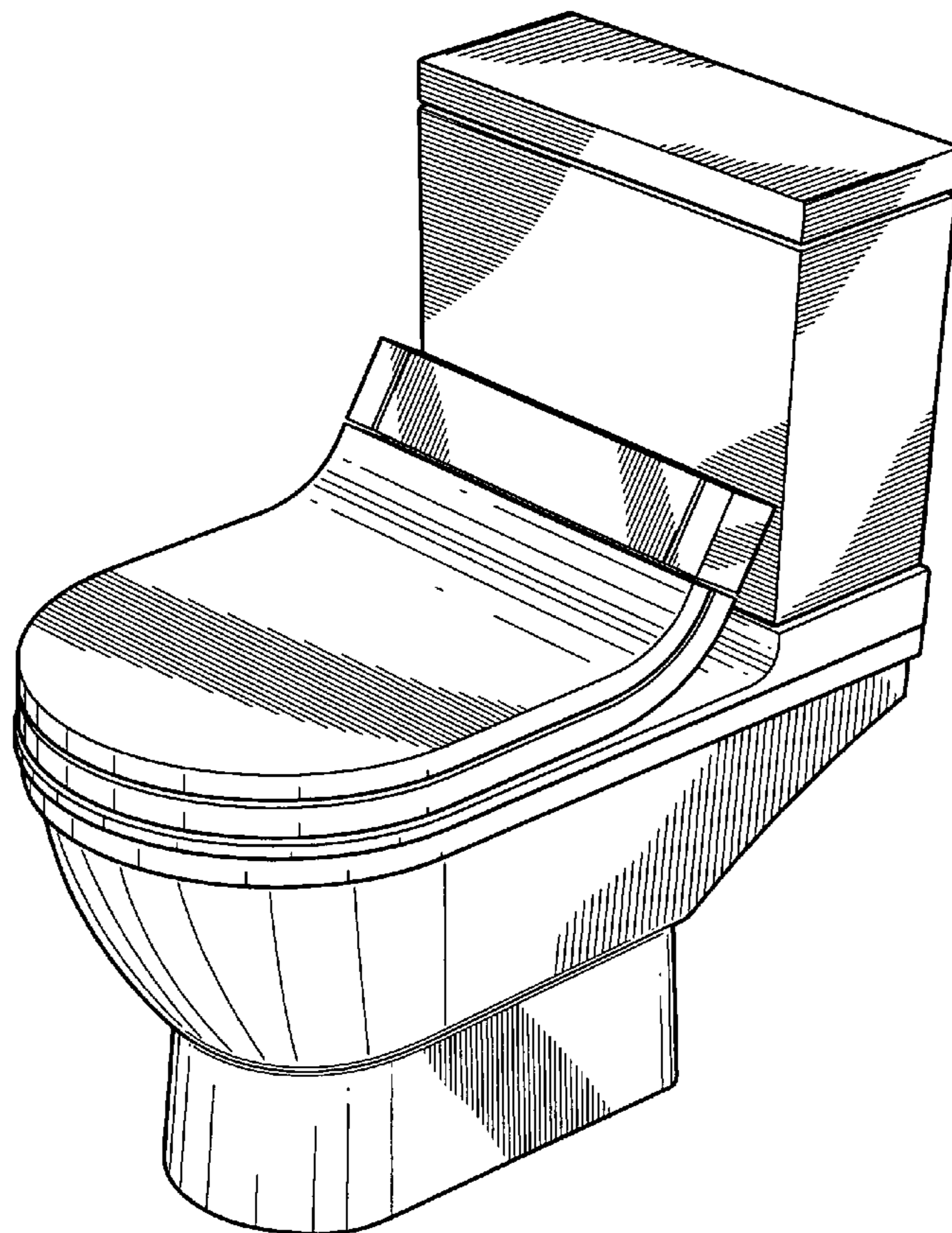
U.S. PATENT DOCUMENTS

D101,441 S	*	10/1936	Dreyfuss	D23/301
D455,202 S	*	4/2002	Soulier	D23/301
D556,873 S	*	12/2007	Lin et al.	D23/301
D583,030 S	*	12/2008	Kobayashi et al.	D23/295

* cited by examiner

Primary Examiner—Robert A Delehanty

1 Claim, 7 Drawing Sheets



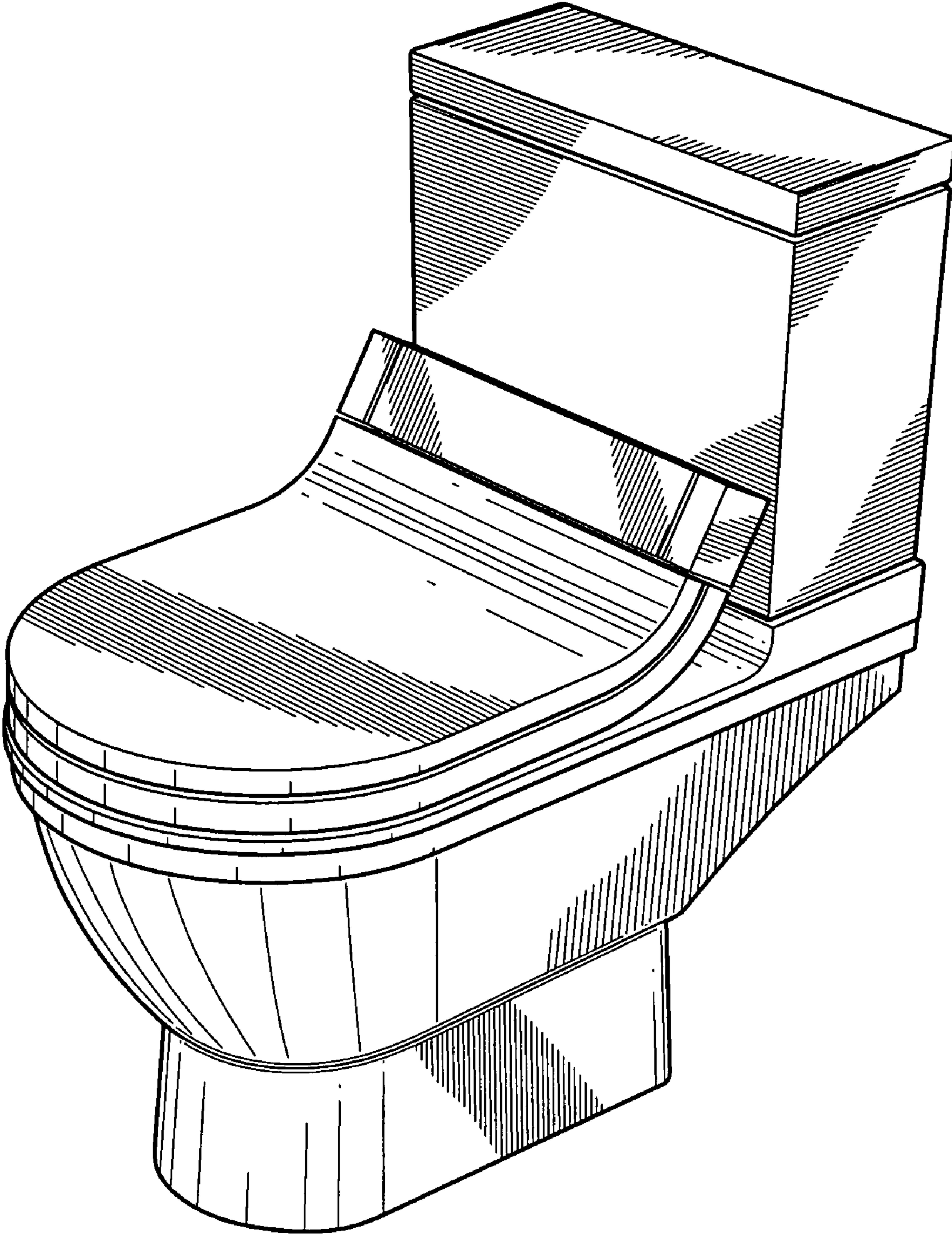


FIG. 1

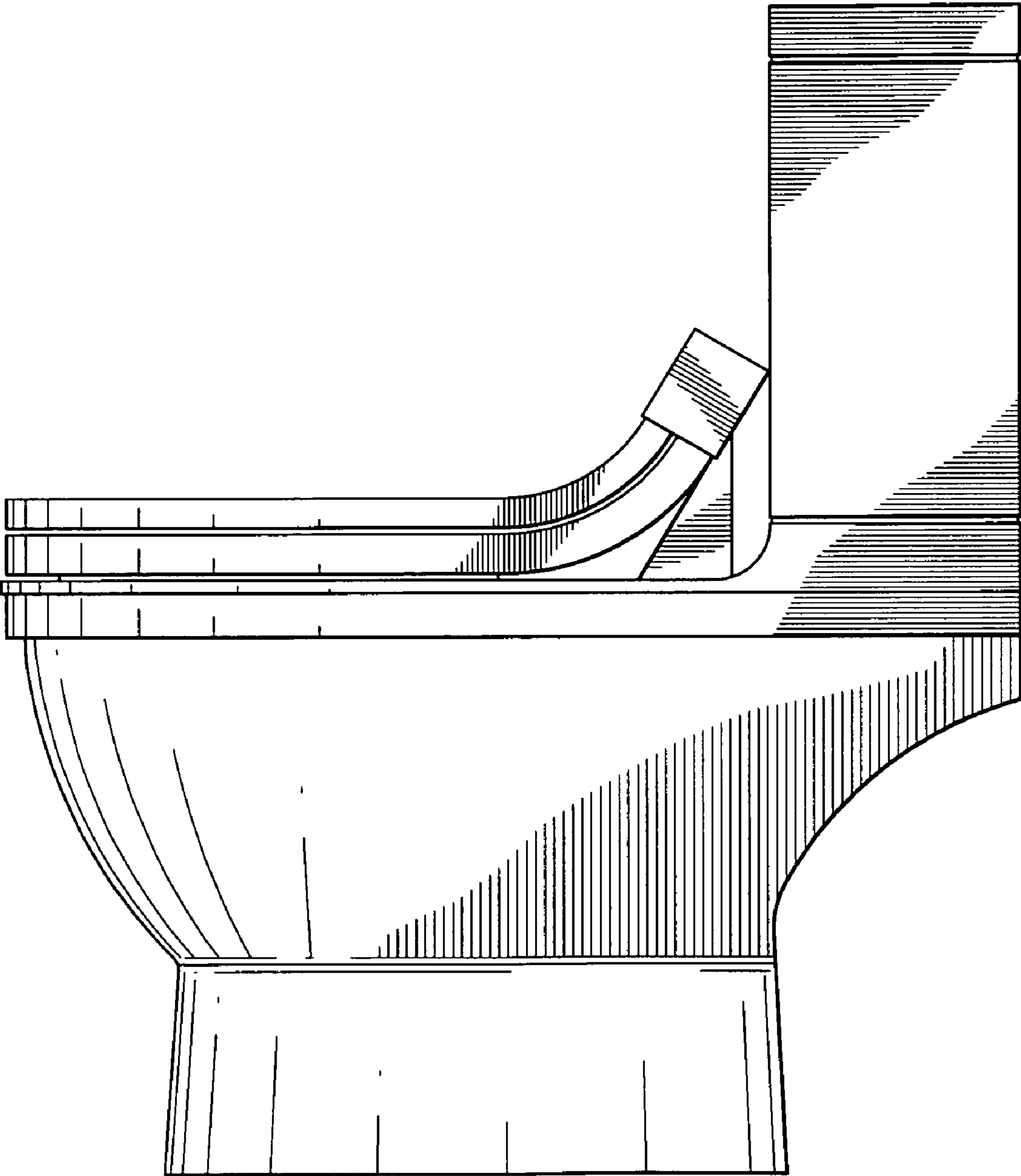


FIG. 2

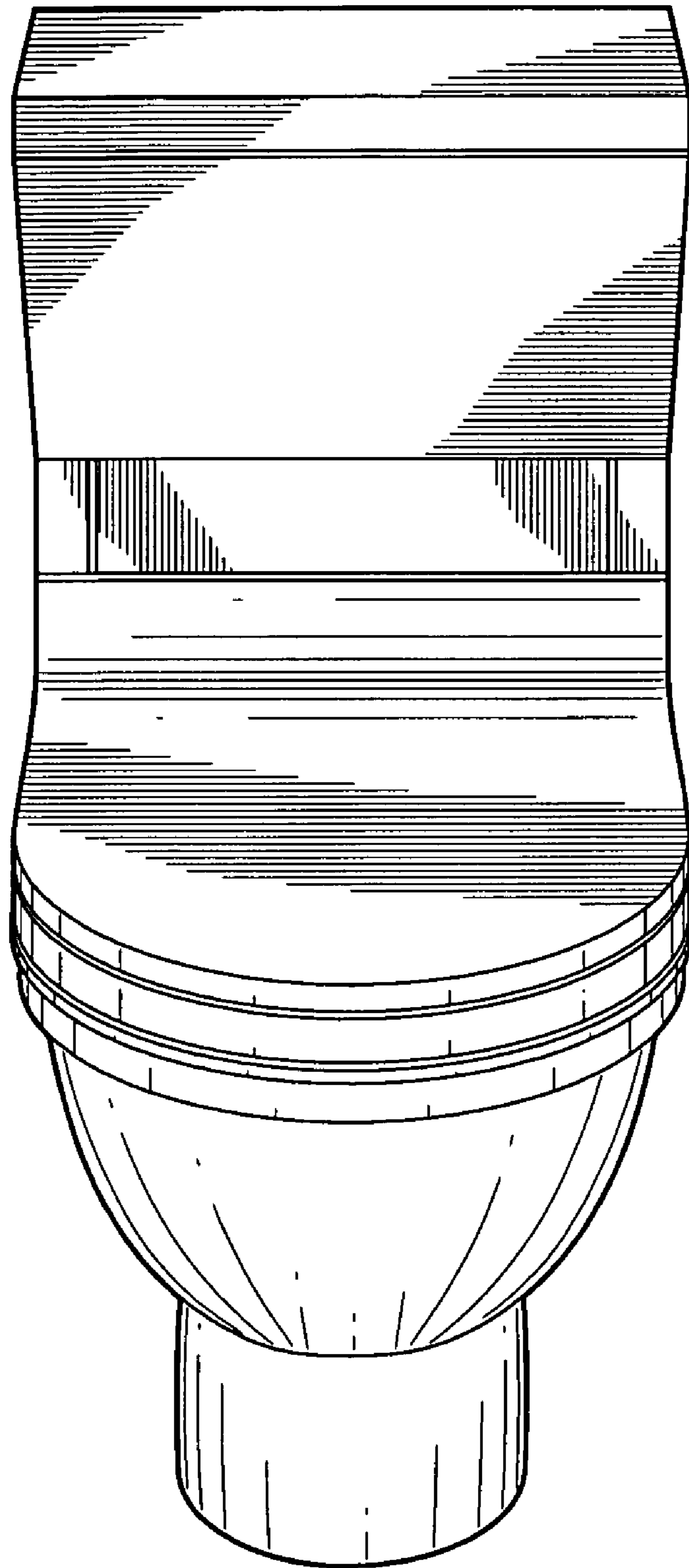


FIG. 3

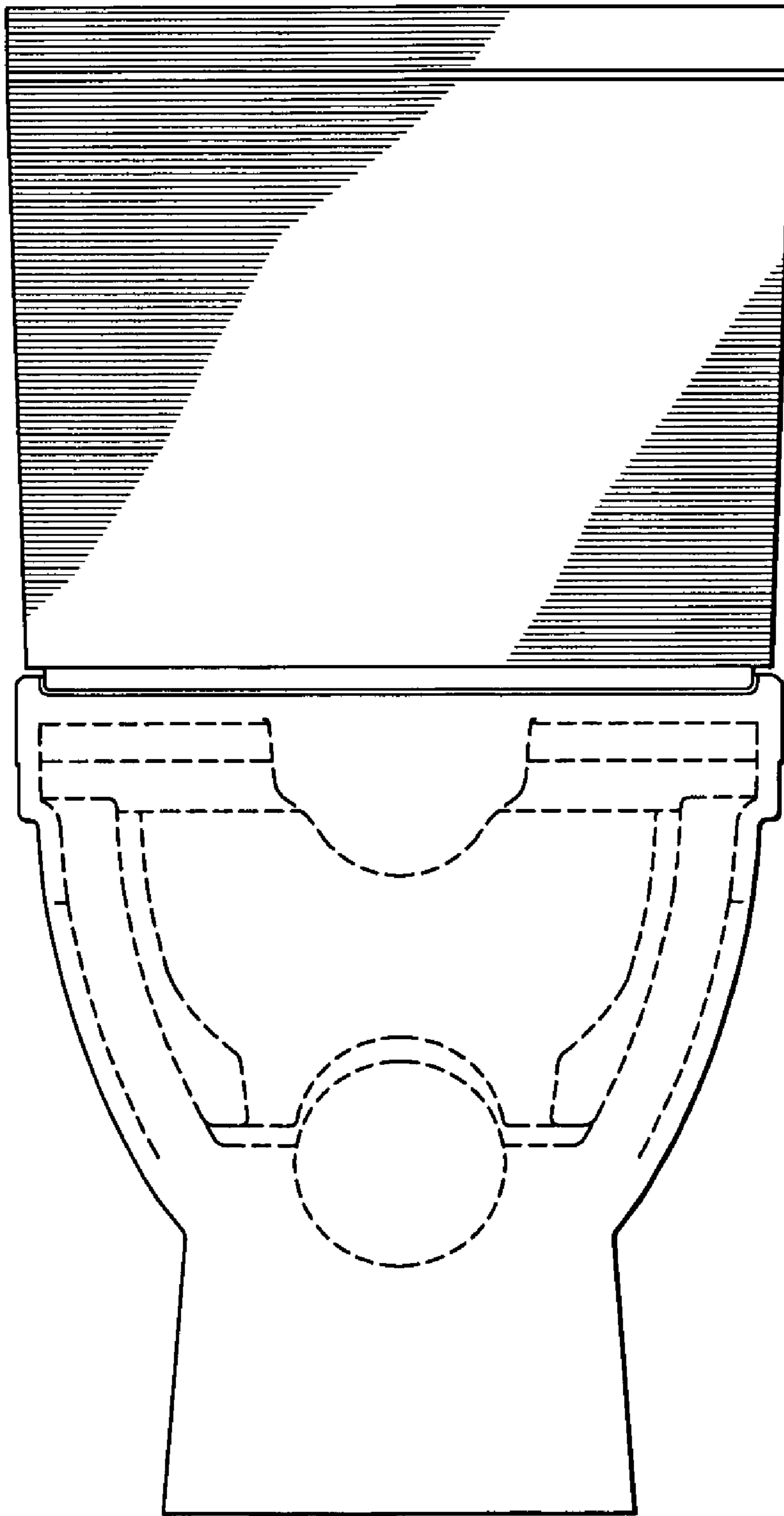


FIG.4

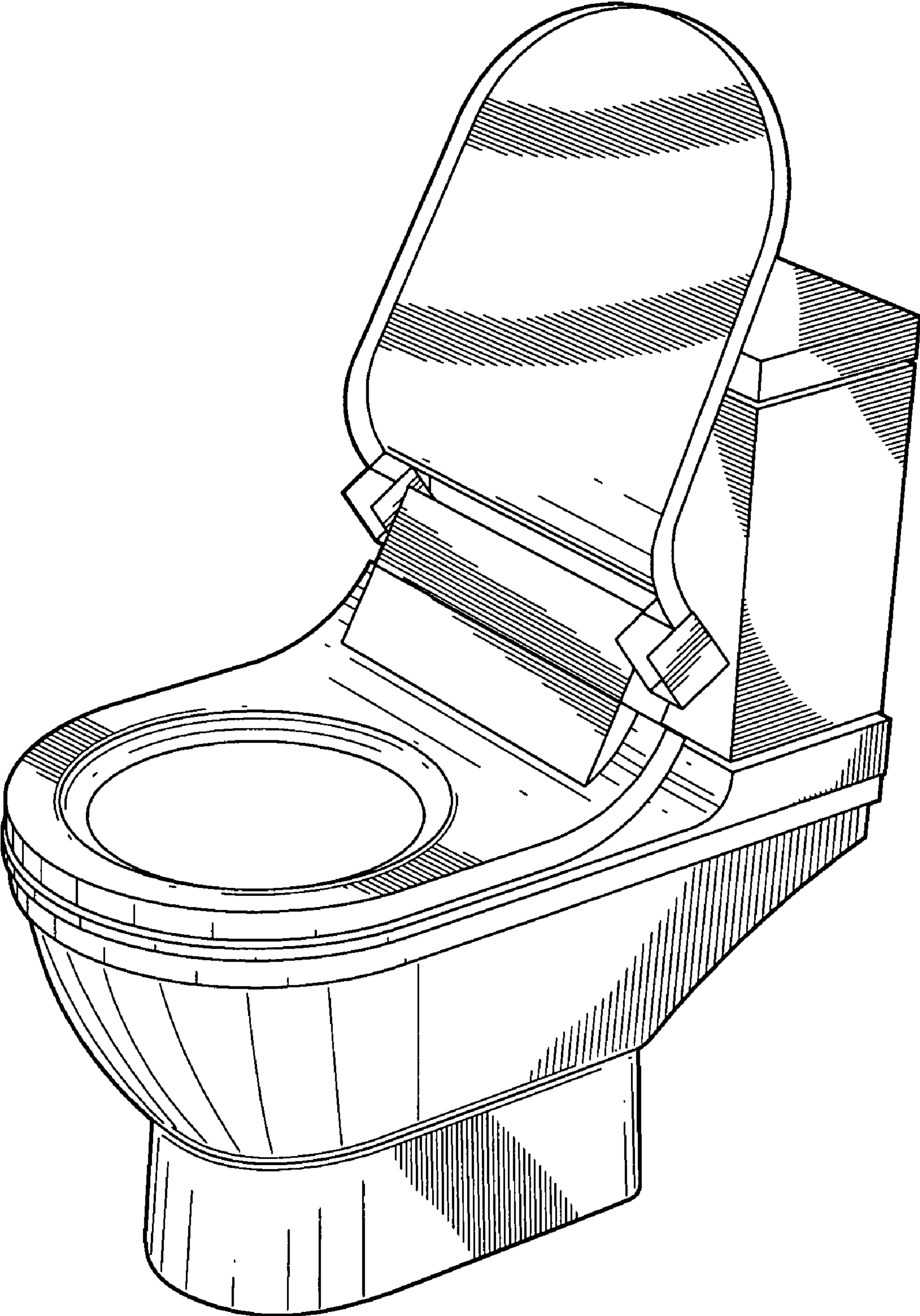


FIG. 5

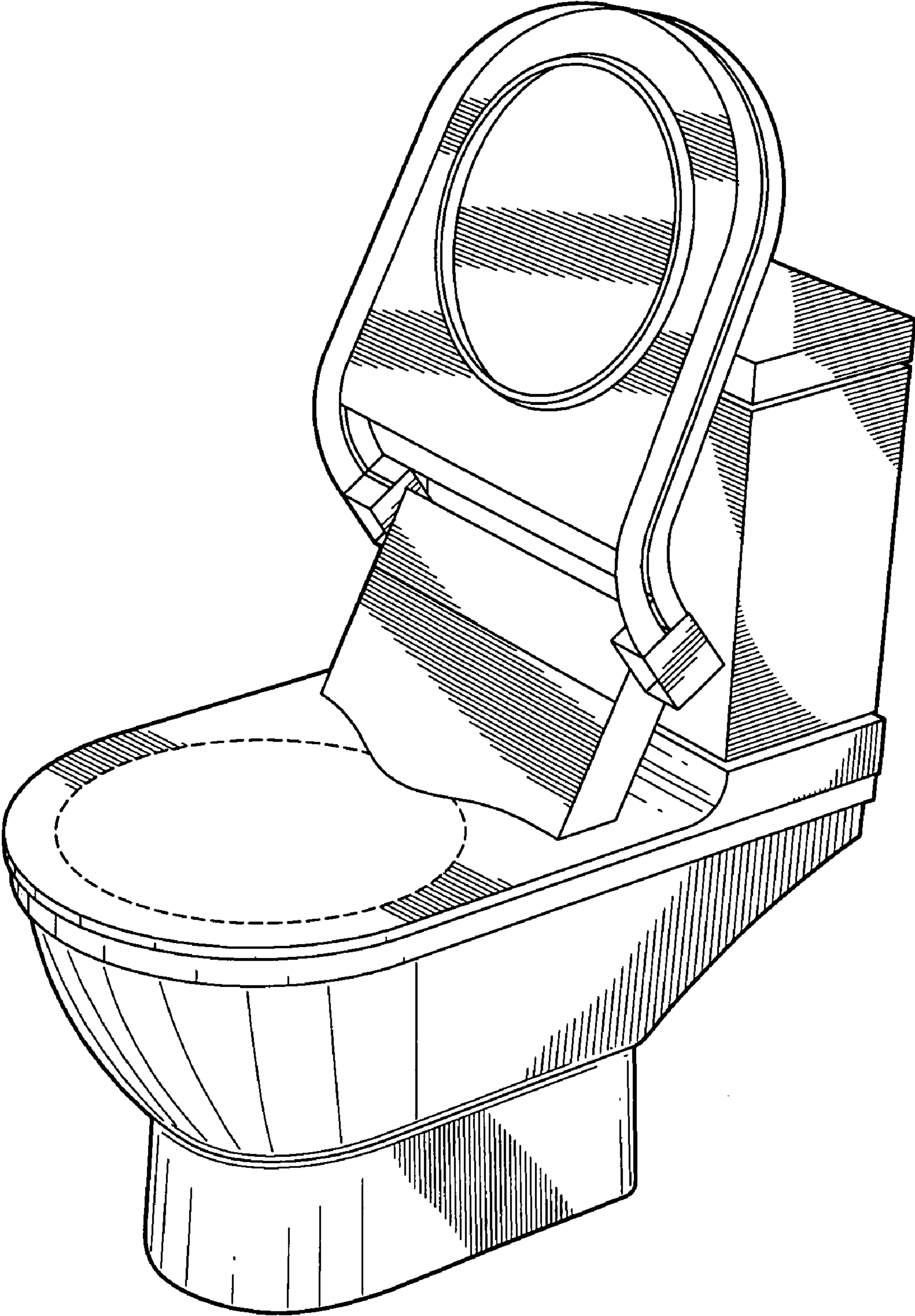


FIG. 6

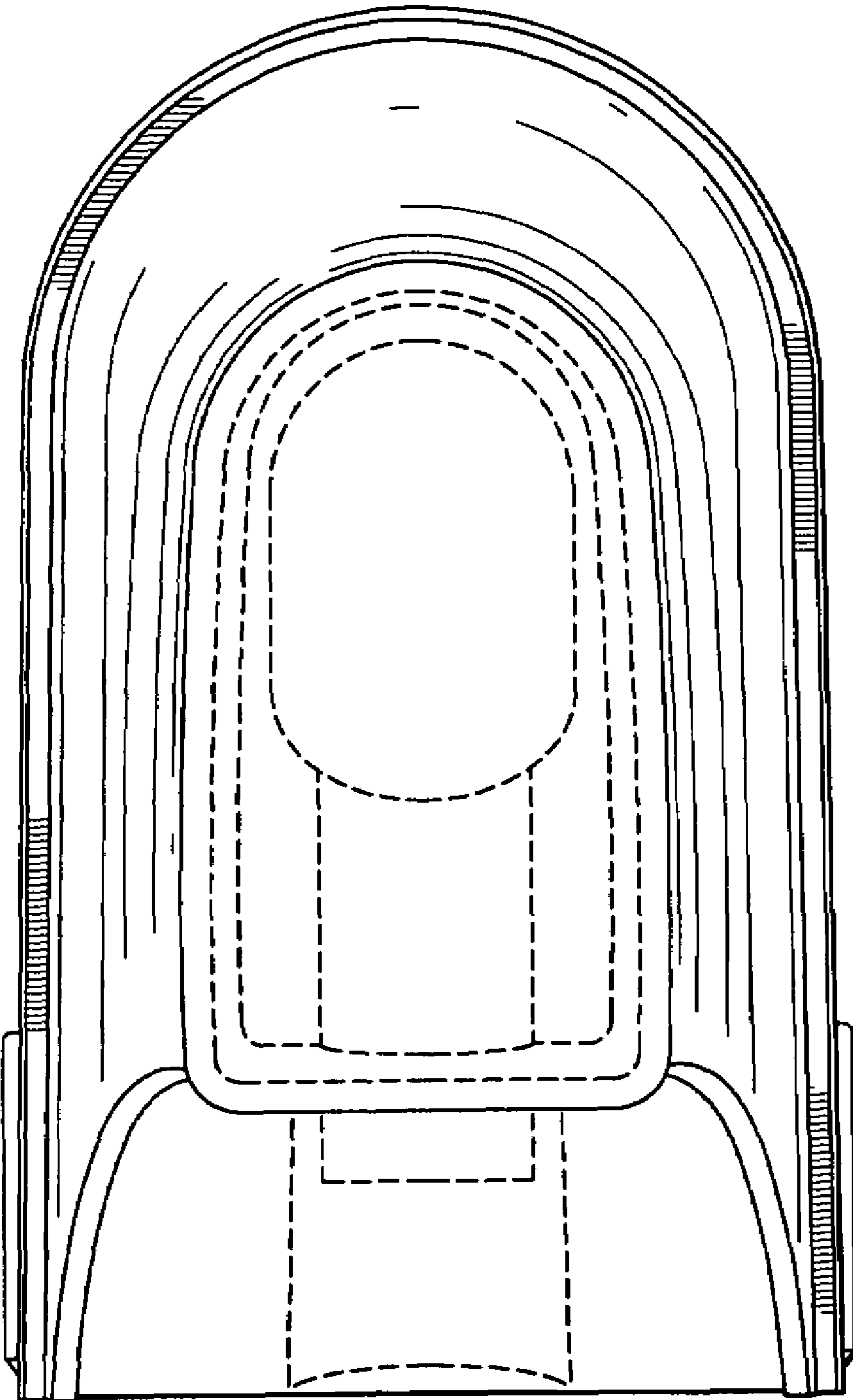


FIG. 7