



US00D594942S

(12) **United States Design Patent**  
**Slothower et al.**

(10) **Patent No.:** **US D594,942 S**  
(45) **Date of Patent:** **\*\* Jun. 23, 2009**

(54) **PLUMBING FIXTURE**

(75) Inventors: **Anna-Pia Slothower**, Mill Valley, CA (US); **Mary J. Reid**, Sheboygan, WI (US)

(73) Assignee: **Kohler Co.**, Kohler, WI (US)

(\*\*) Term: **14 Years**

(21) Appl. No.: **29/329,498**

(22) Filed: **Dec. 16, 2008**

**Related U.S. Application Data**

(62) Division of application No. 29/299,548, filed on Dec. 28, 2007, now Pat. No. Des. 585,128.

(51) **LOC (9) Cl.** ..... **23-01**

(52) **U.S. Cl.** ..... **D23/295**

(58) **Field of Classification Search** ..... D23/273–274,  
D23/295–299, 303, 309, 313; 4/663–664,  
4/300, 312, 329, 348, 352–535  
See application file for complete search history.

(56) **References Cited**

**U.S. PATENT DOCUMENTS**

D531,288 S 10/2006 Soulier  
D556,873 S 12/2007 Lin et al.

**OTHER PUBLICATIONS**

Kohler Co. “Serif Comfort Height Elongated Toilet”. Model No. K-3464. Kohler.com online catalog. Copyright 2007 Kohler Co.

Kohler Co. “Memoirs Comfort Height Round-Front Toilet”. Model No. K-3511. Kohler.com online catalog. Copyright 2007 Kohler Co.  
Sterling. “Toilet”. Sterling online catalog. Copyright 2007 Kohler Co.

Eljer. “Cypress 17 Toilet”. Model No. 091-0275. Eljer.com online catalog.

Kohler Co. “Iron Works Tellieur Elongated Toilet”. Model No. K-3456-U2. Kohler.com online catalog. Copyright 2007 Kohler Co.

*Primary Examiner*—Robert A Delehanty

(74) *Attorney, Agent, or Firm*—Quarles & Brady LLP

(57) **CLAIM**

The ornamental design for a plumbing fixture, as shown and described.

**DESCRIPTION**

In a preferred embodiment, the nature of this product is as a plumbing fixture in the form of a base for a water closet.

FIG. 1 is a right, top, front perspective view of a plumbing fixture according to our new design;

FIG. 2 is a top plan view thereof;

FIG. 3 is a right side elevational view thereof, the left side elevational view thereof being a mirror image of the right side shown;

FIG. 4 is a front elevational view thereof;

FIG. 5 is a rear elevational view thereof; and,

FIG. 6 is a bottom plan view thereof.

The broken line representations in the figures are for the purpose of illustration only, and form no part of the claimed design.

**1 Claim, 3 Drawing Sheets**

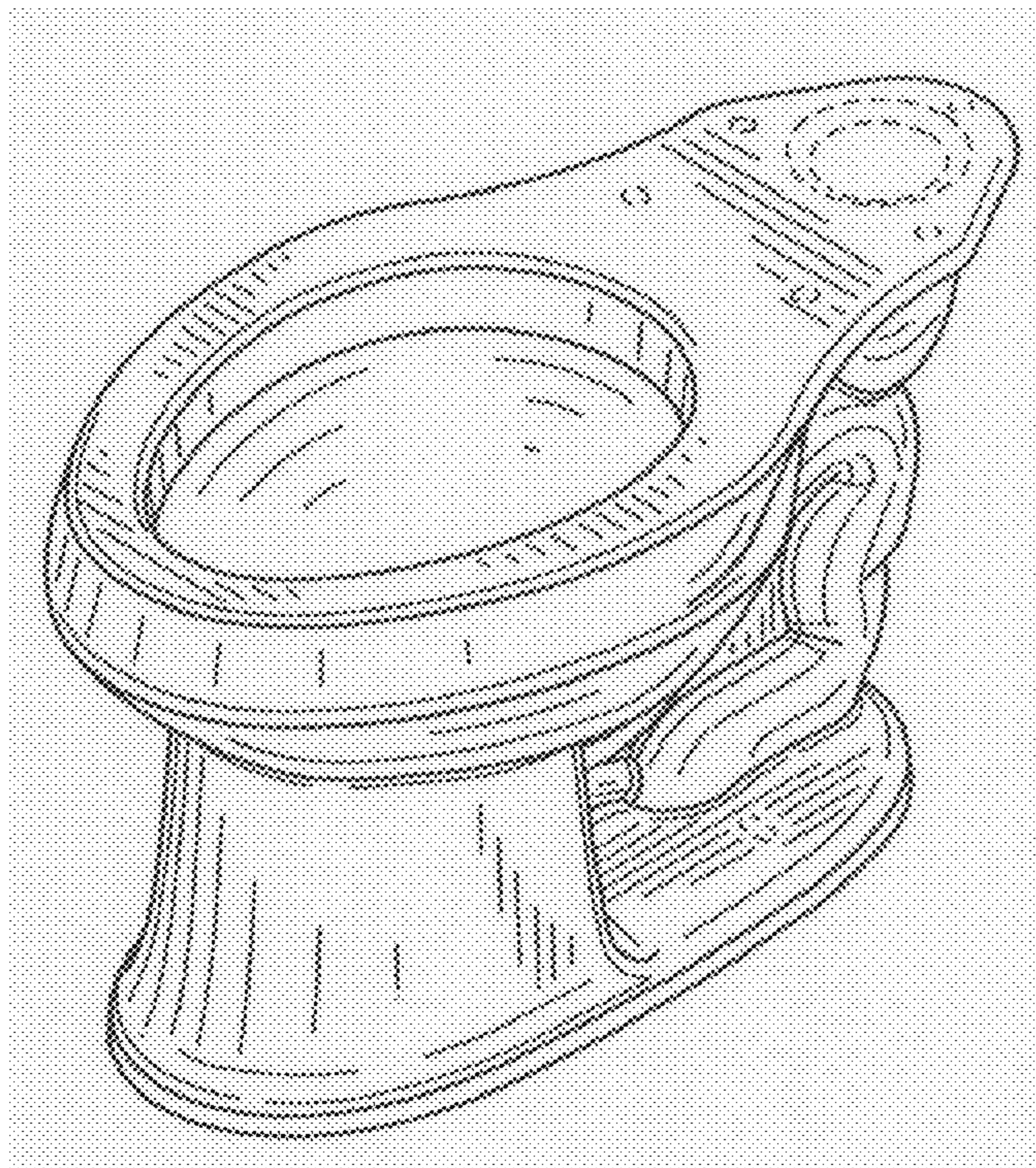


FIG. 1

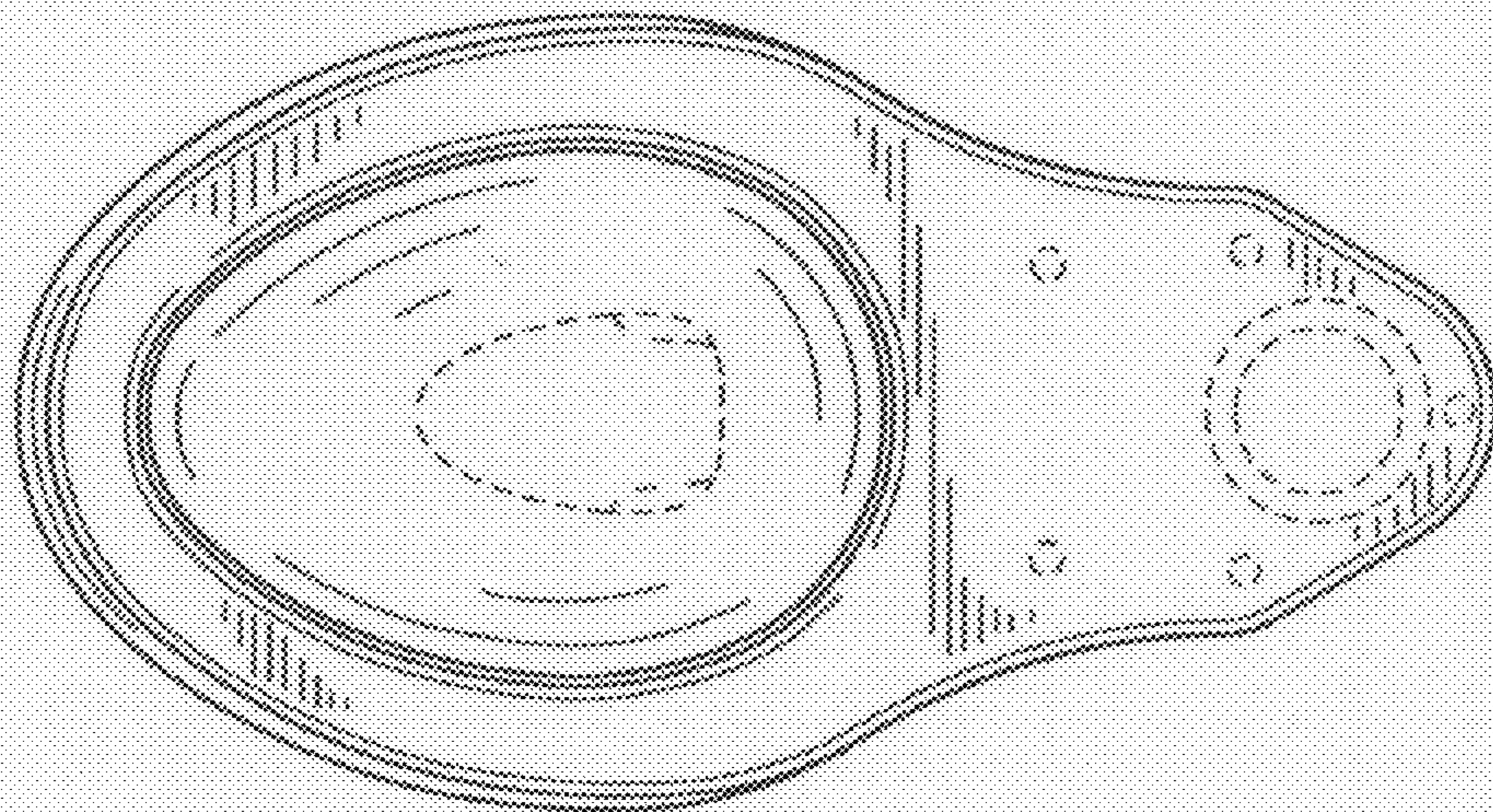
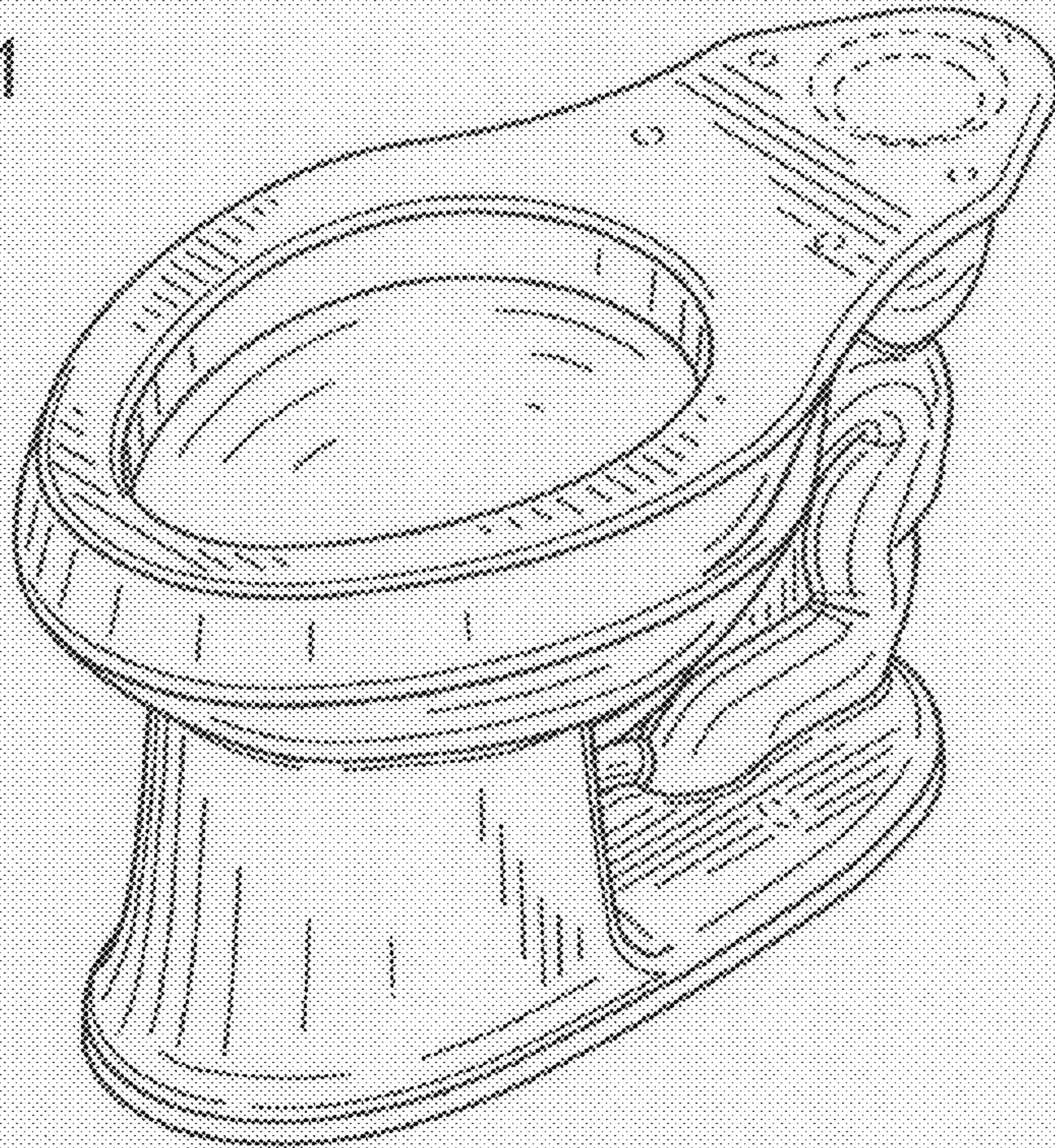


FIG. 2

FIG. 3

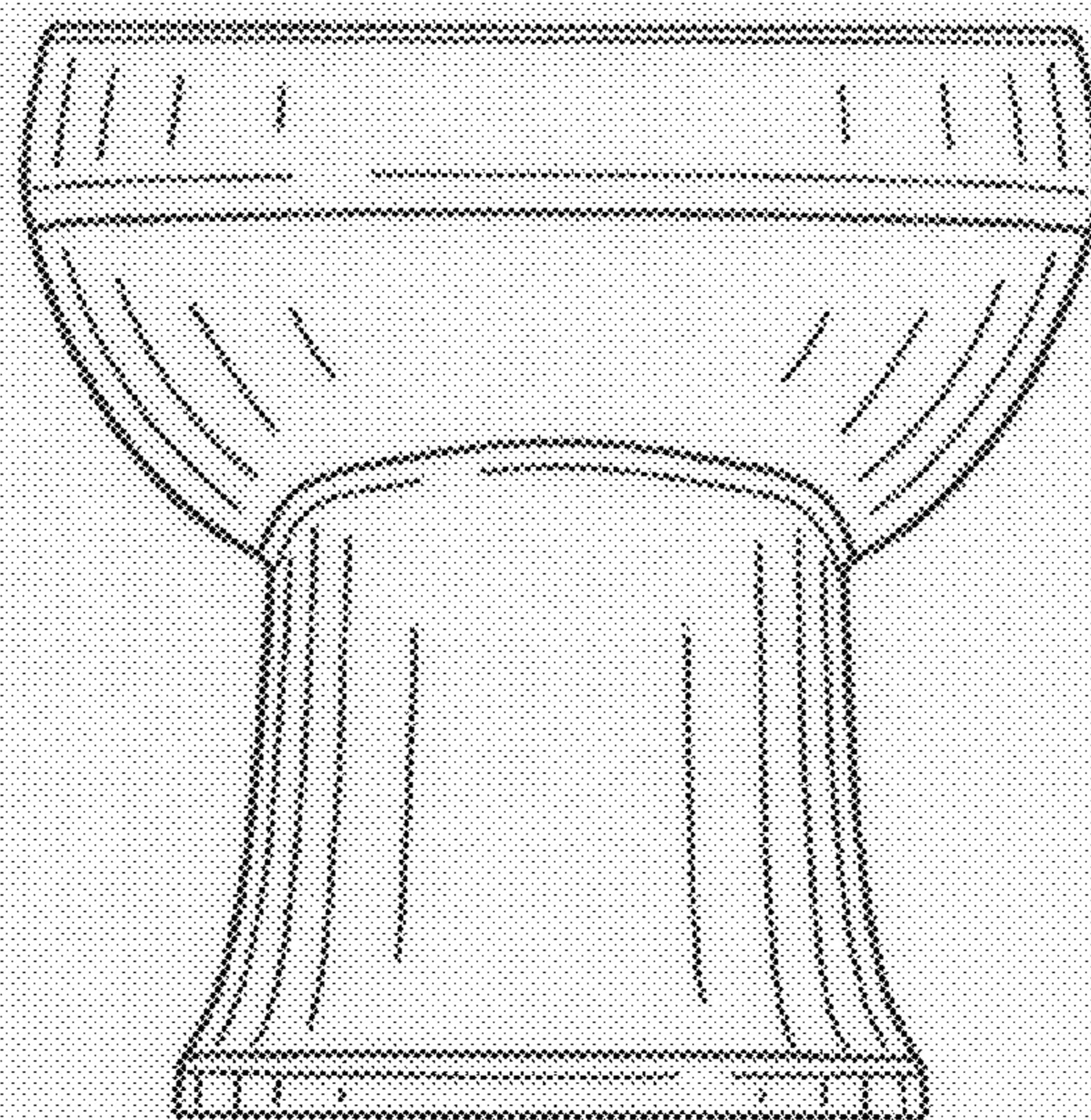
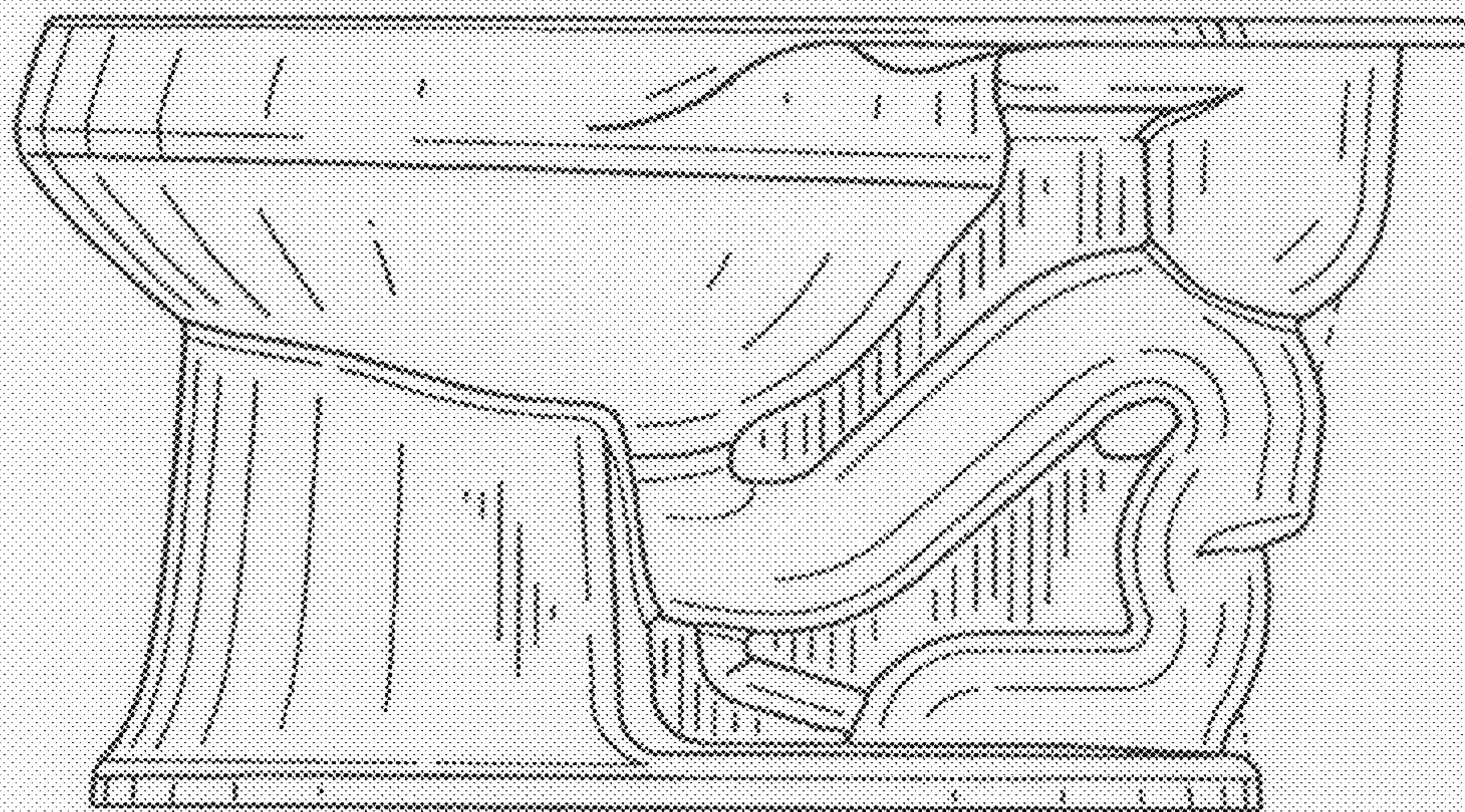


FIG. 4

FIG. 5

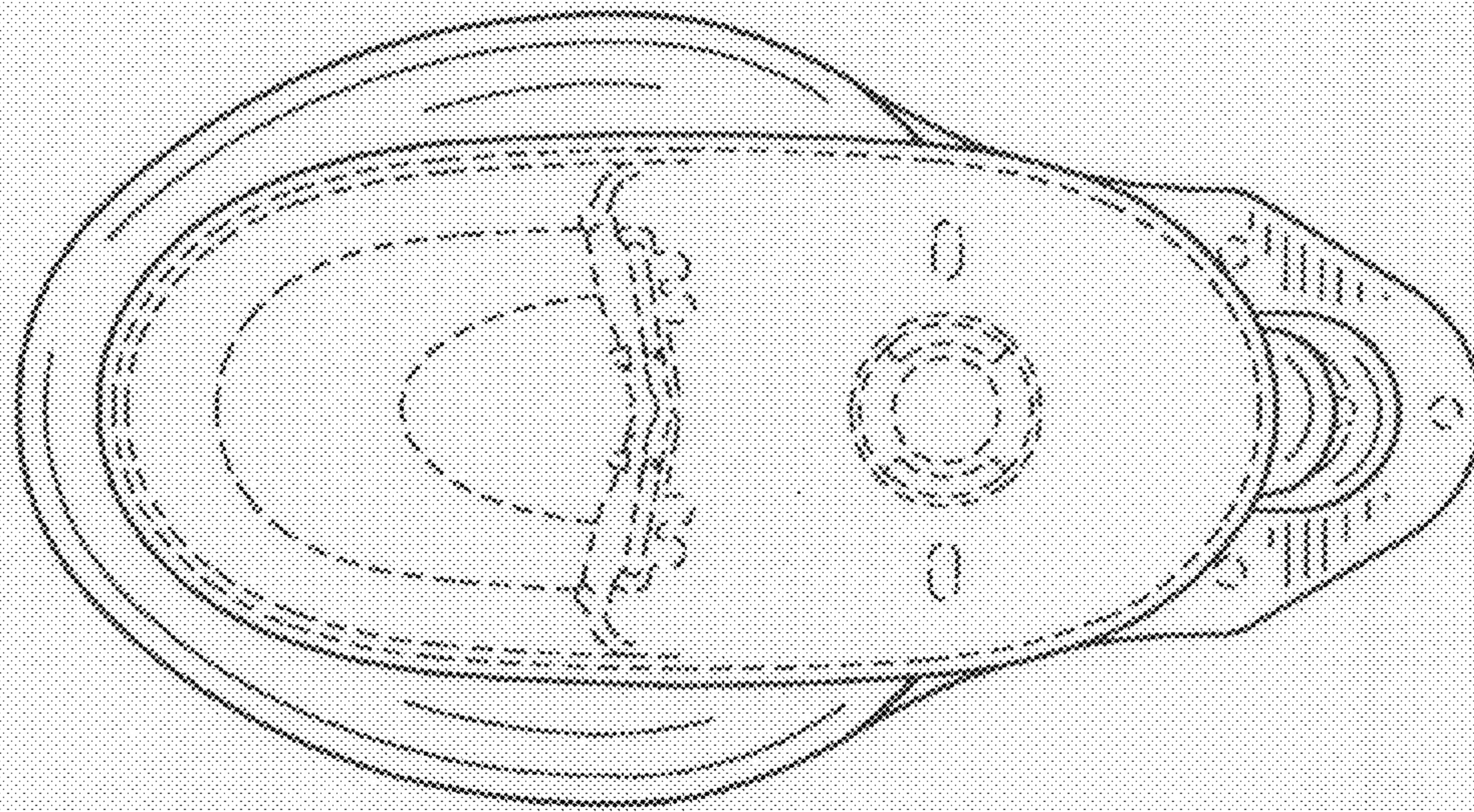
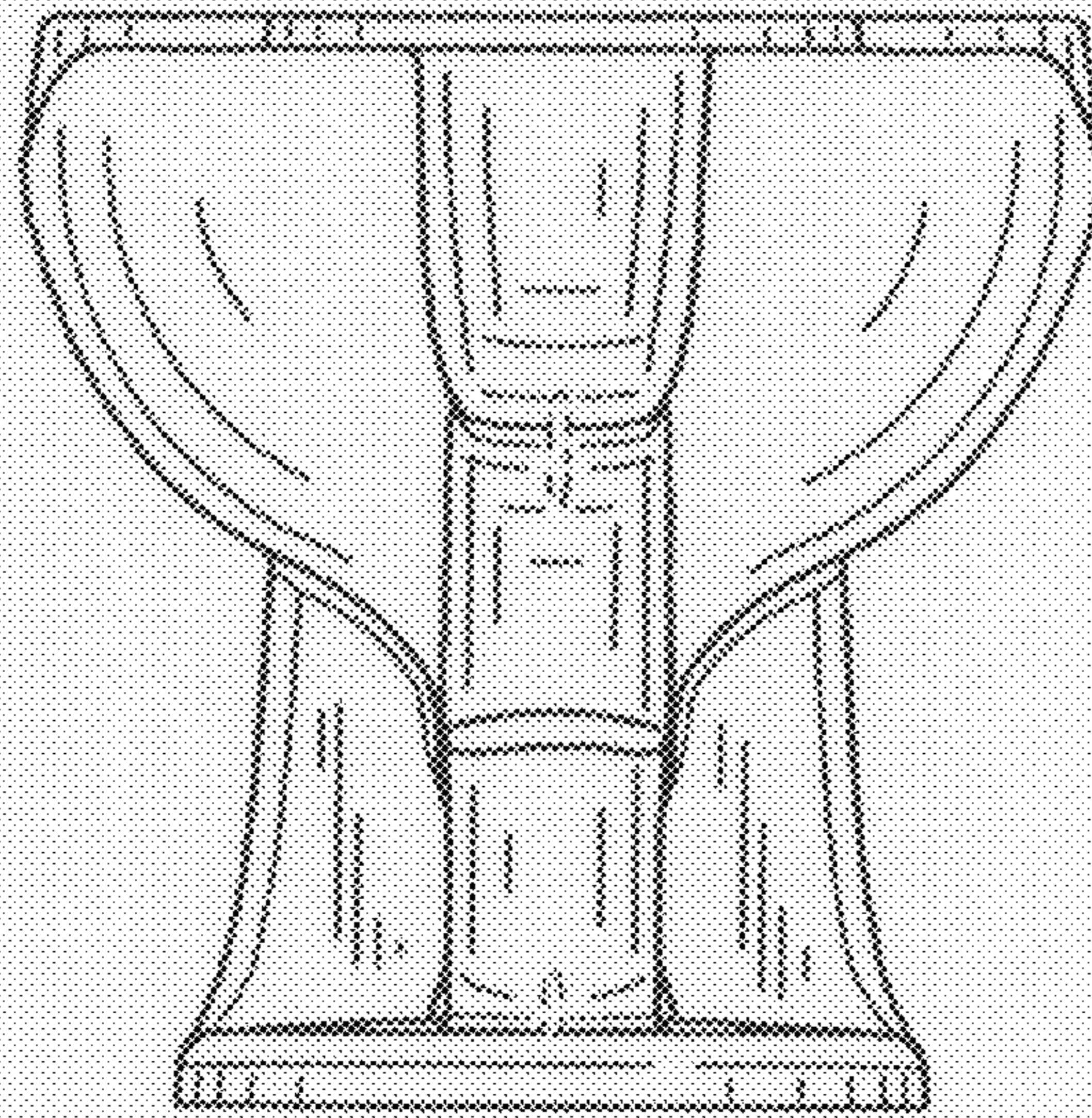


FIG. 6