



US00D594940S

(12) **United States Design Patent**  
**Bates**

(10) **Patent No.:** **US D594,940 S**

(45) **Date of Patent:** **\*\* Jun. 23, 2009**

(54) **PLUMBING FIXTURE**

(75) Inventor: **Michael R. Bates**, Sheboygan, WI (US)

(73) Assignee: **Kohler Co.**, Kohler, WI (US)

(\*\*) Term: **14 Years**

(21) Appl. No.: **29/306,489**

(22) Filed: **Apr. 10, 2008**

(51) **LOC (9) Cl.** ..... **23-02**

(52) **U.S. Cl.** ..... **D23/277**

(58) **Field of Classification Search** ..... D23/293,  
D23/275-280.1, 303, 304-306; D24/204;  
4/663, 538-539, 541.1, 546, 586, 574.1  
See application file for complete search history.

(56) **References Cited**

**U.S. PATENT DOCUMENTS**

D253,367 S *	11/1979	Weaver	.....	D23/280.1
D482,763 S *	11/2003	Thomas	.....	D23/280.1
D524,926 S *	7/2006	Lebrun et al.	.....	D23/280.1
D560,768 S *	1/2008	Smith	.....	D23/280.1
D564,639 S *	3/2008	Bruce	.....	D23/280.1

**OTHER PUBLICATIONS**

Kohler Co. "Tea-for-Two 5' Bath Whirlpool". Model No. K-852-H2.  
Kohler Co. online catalog. Copyright 2008 Kohler Co.  
Kohler Co. "Kathryn 5.5' Bath Whirlpool". Model No. K-809-HE.  
Kohler Co. online catalog. Copyright 2008 Kohler Co.  
Aquatic. "HotSoak77". Model No. AI22AIR6636CHS.  
HomePortfolio.com online catalog. Copyright 1997-2008  
HomePortfolio Inc.

\* cited by examiner

*Primary Examiner*—Robert A Delehanty  
(74) *Attorney, Agent, or Firm*—Quarles & Brady LLP

(57) **CLAIM**

The ornamental design for a plumbing fixture, as shown and described.

**DESCRIPTION**

In a preferred embodiment, the nature of this product is as a plumbing fixture in the form of a bathing tub, whirlpool, spa or the like.

FIG. 1 is a left, top, front perspective view of a plumbing fixture embodying my new design;

FIG. 2 is a top plan view thereof;

FIG. 3 is a front elevational view thereof, the rear elevational view thereof being a mirror image of the front shown;

FIG. 4 is a left side elevational view thereof;

FIG. 5 is a right side elevational view thereof;

FIG. 6 is a bottom plan view thereof;

FIG. 7 is a left, top, front perspective view of a plumbing fixture according to another embodiment of my new design;

FIG. 8 is a top plan view thereof;

FIG. 9 is a front elevational view thereof, the rear elevational view thereof being a mirror image of the front shown;

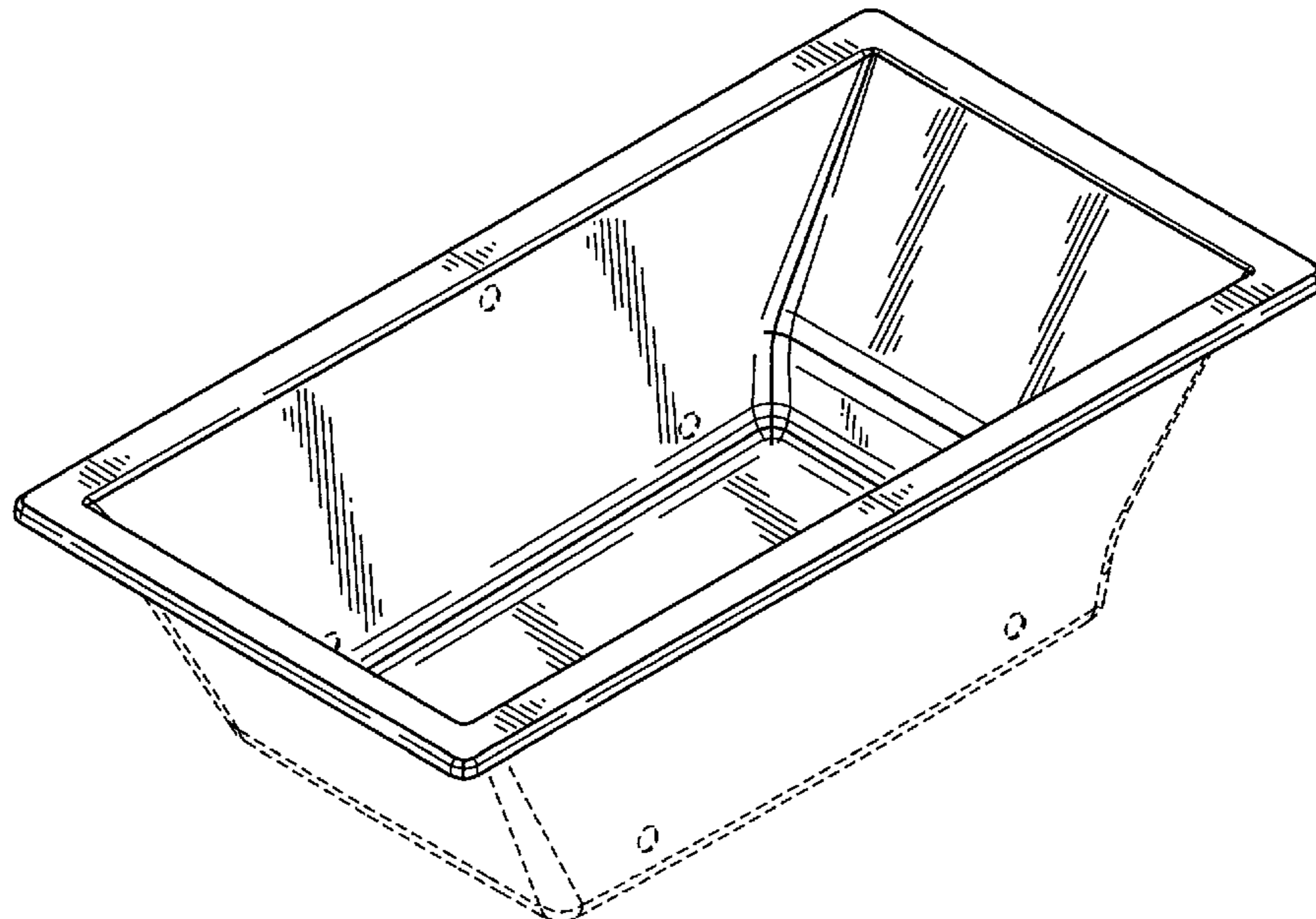
FIG. 10 is a left side elevational view thereof;

FIG. 11 is a right side elevational view thereof; and,

FIG. 12 is a bottom plan view thereof.

The broken line representations in the figures, are for the purpose of illustration only, and form no part of the claimed design.

**1 Claim, 8 Drawing Sheets**



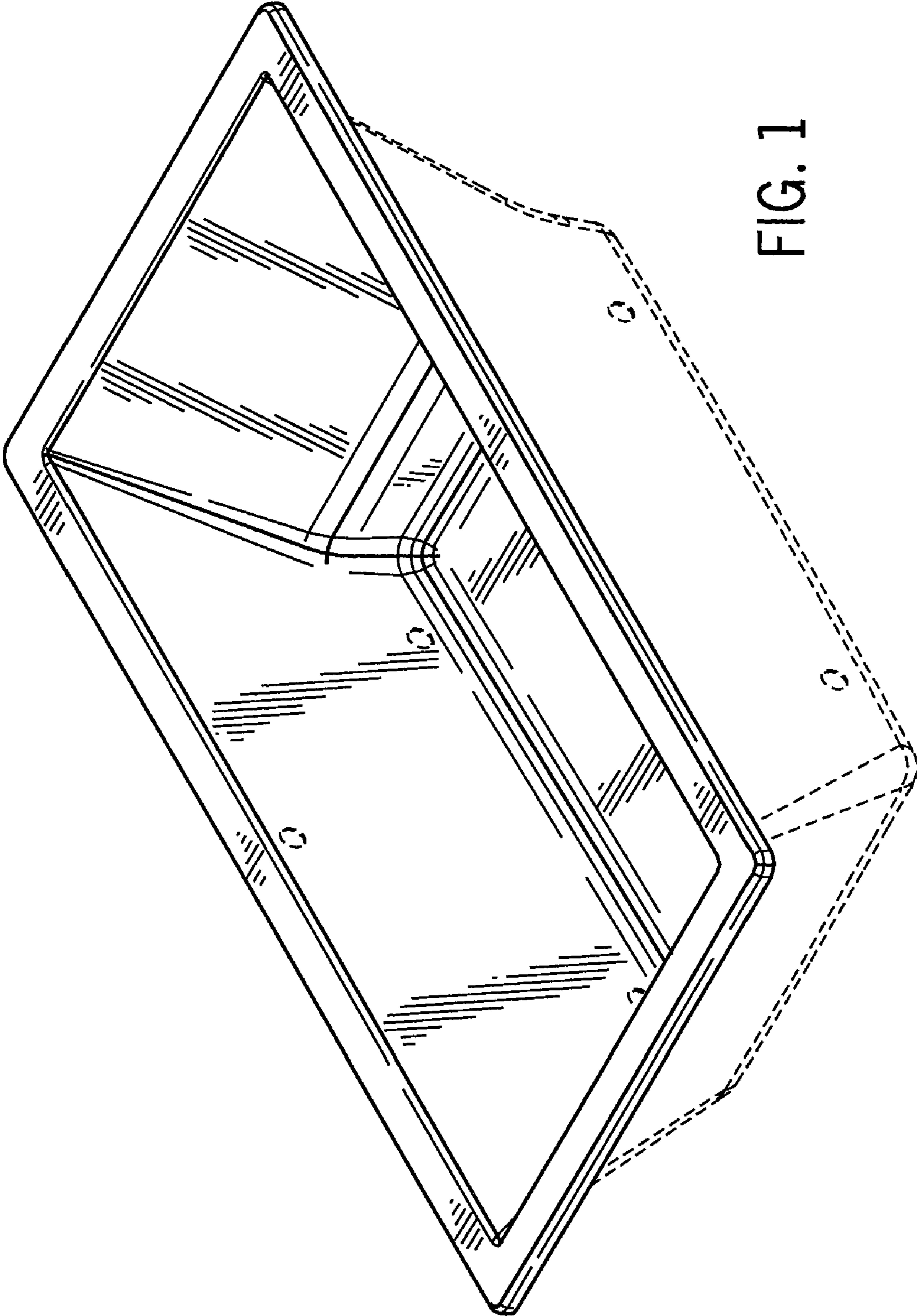


FIG. 1

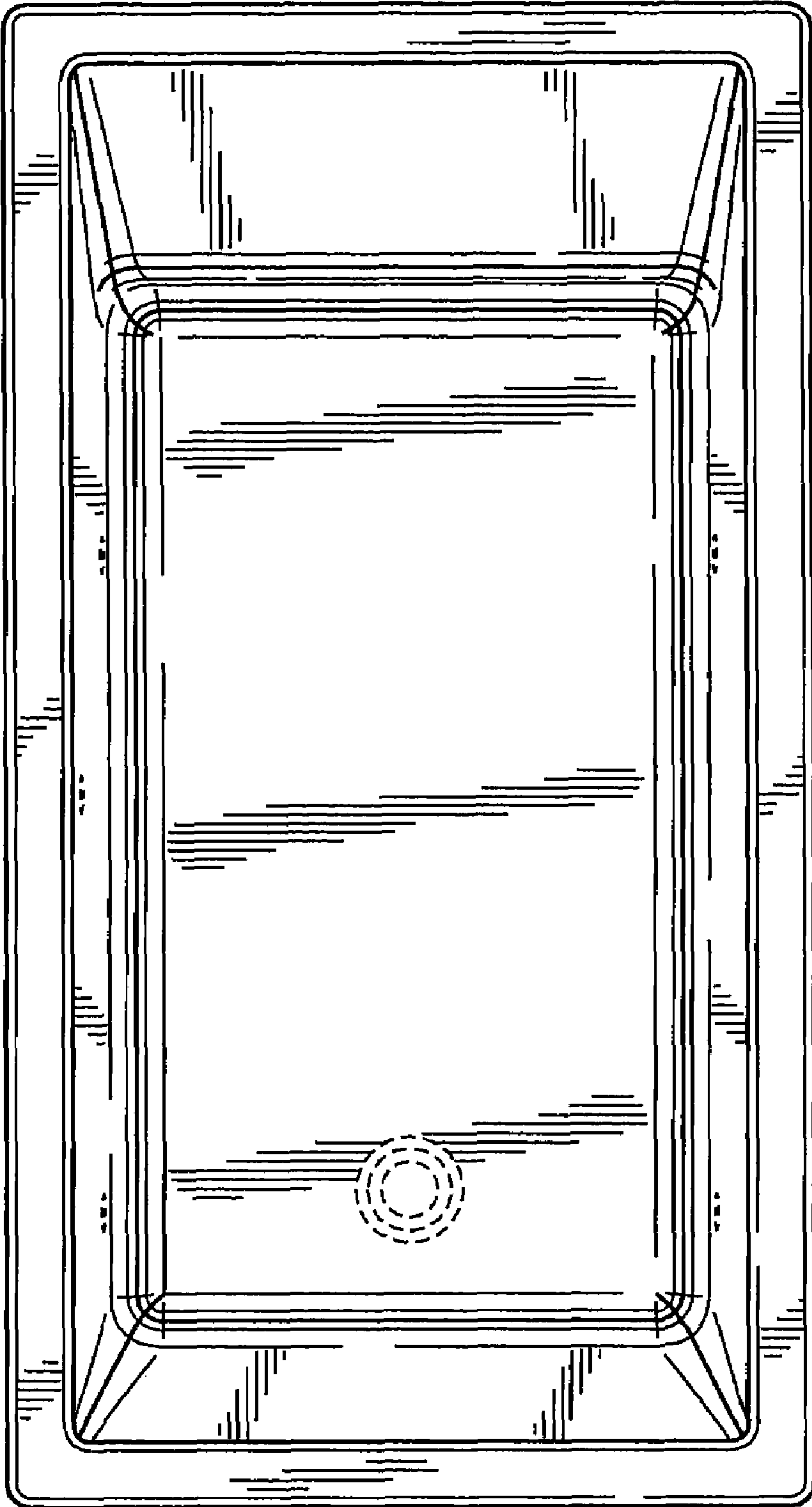


FIG. 2

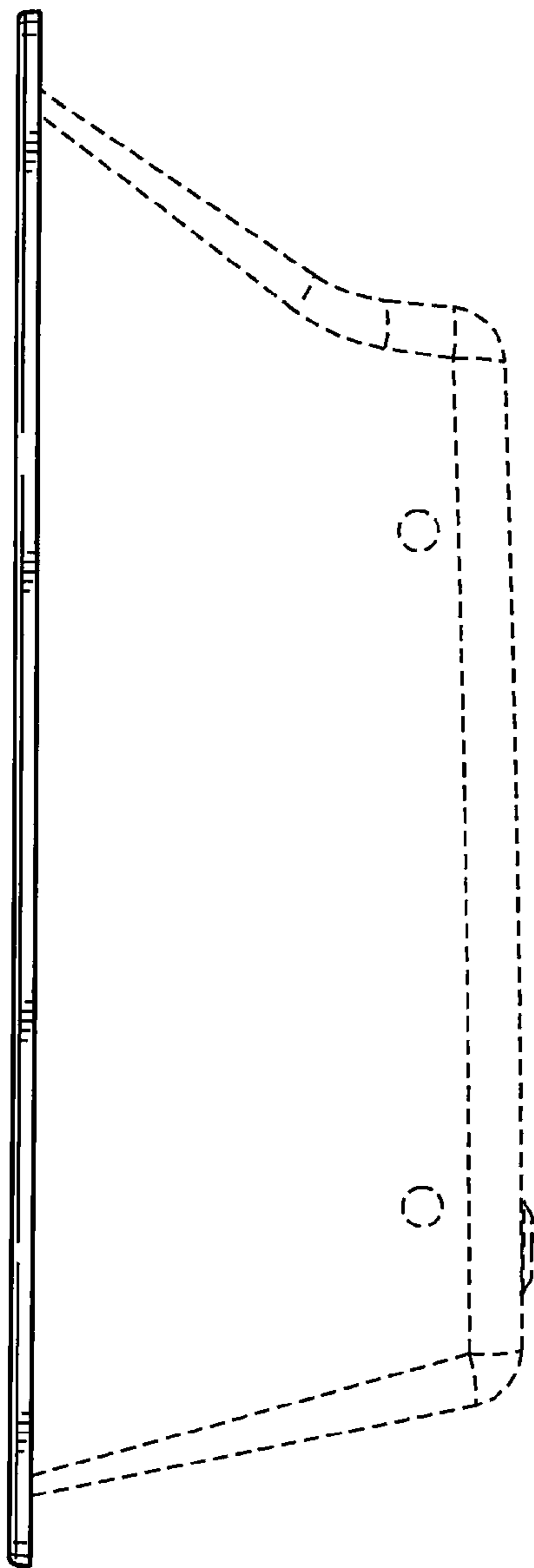


FIG. 3

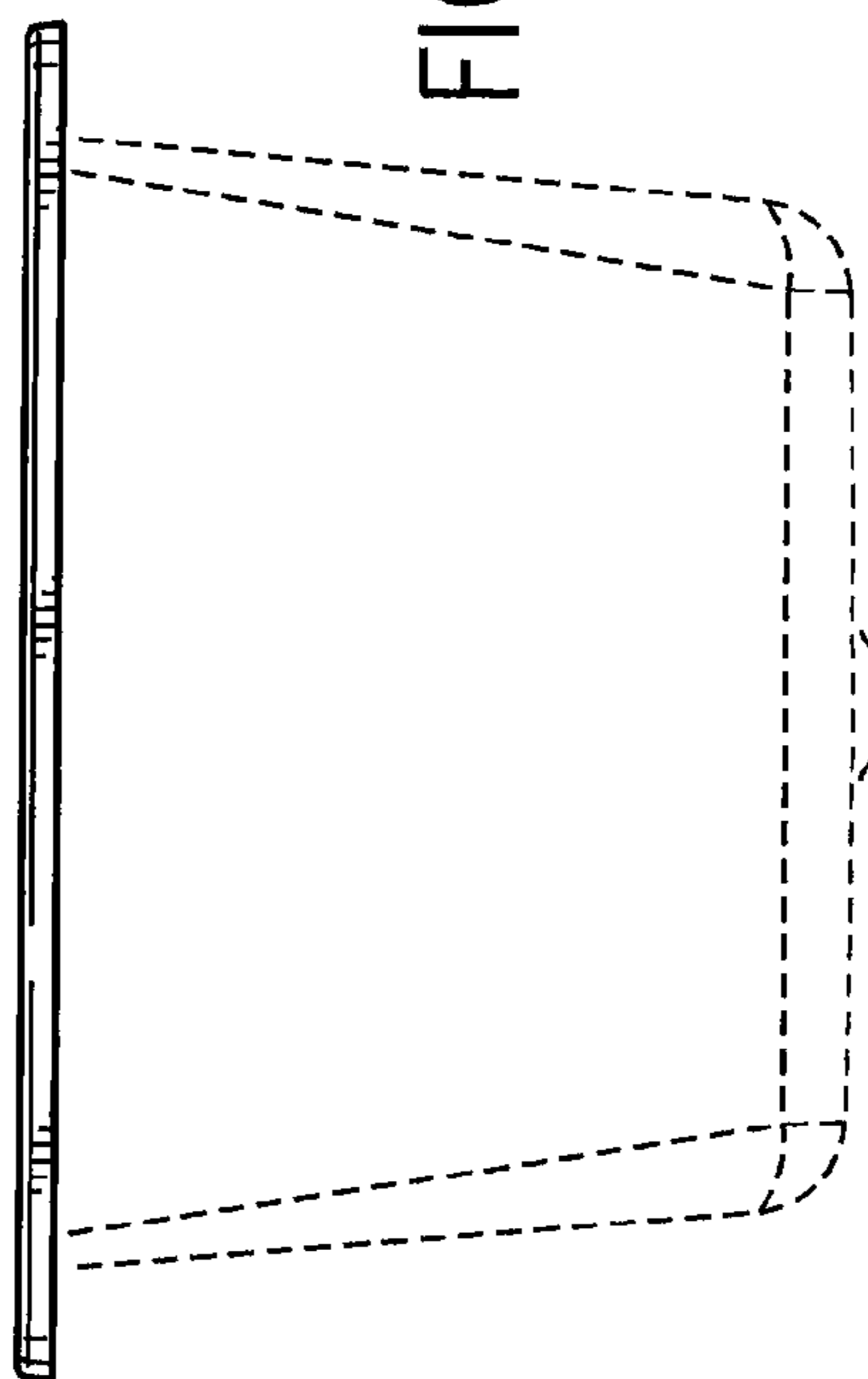


FIG. 4

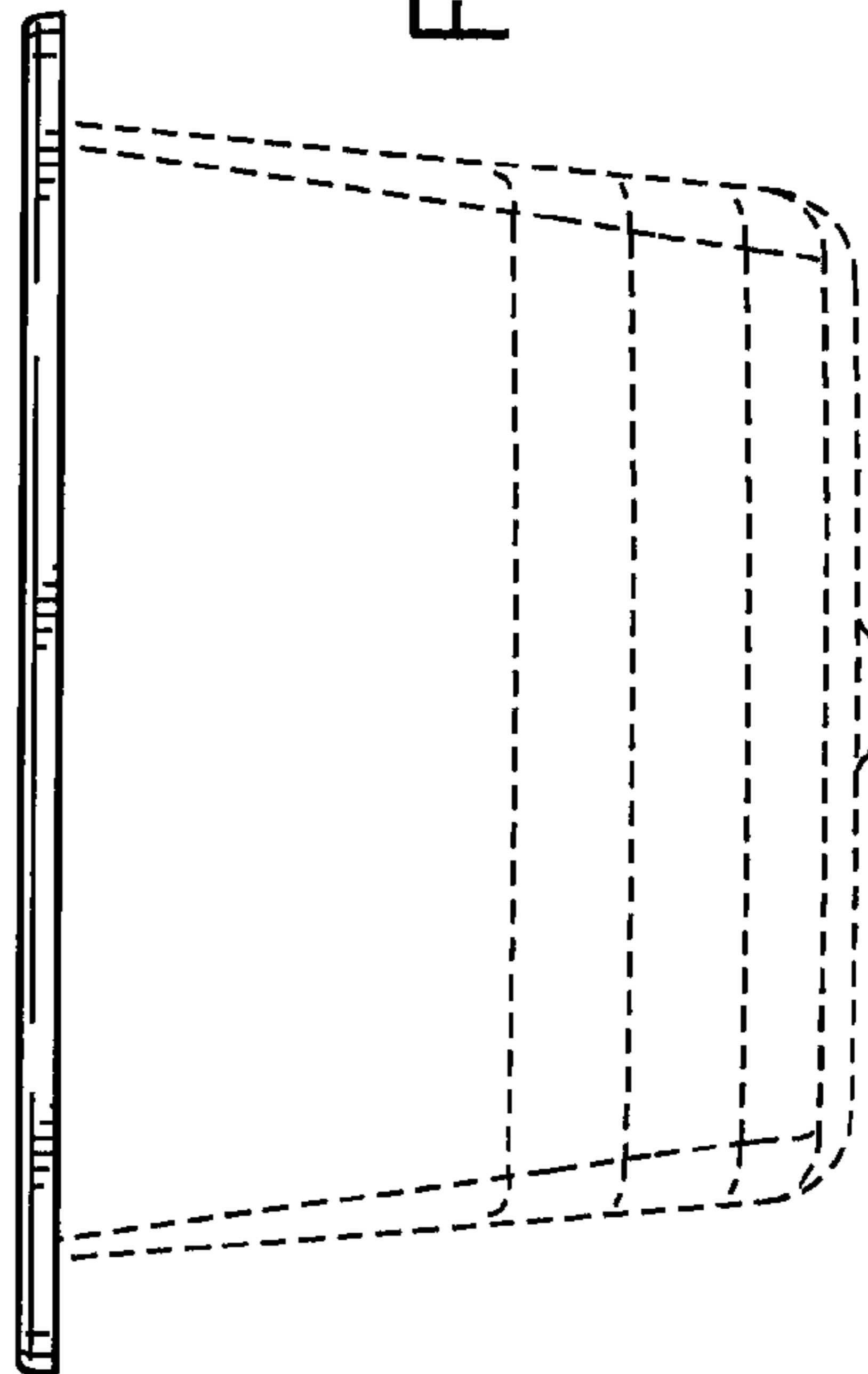


FIG. 5

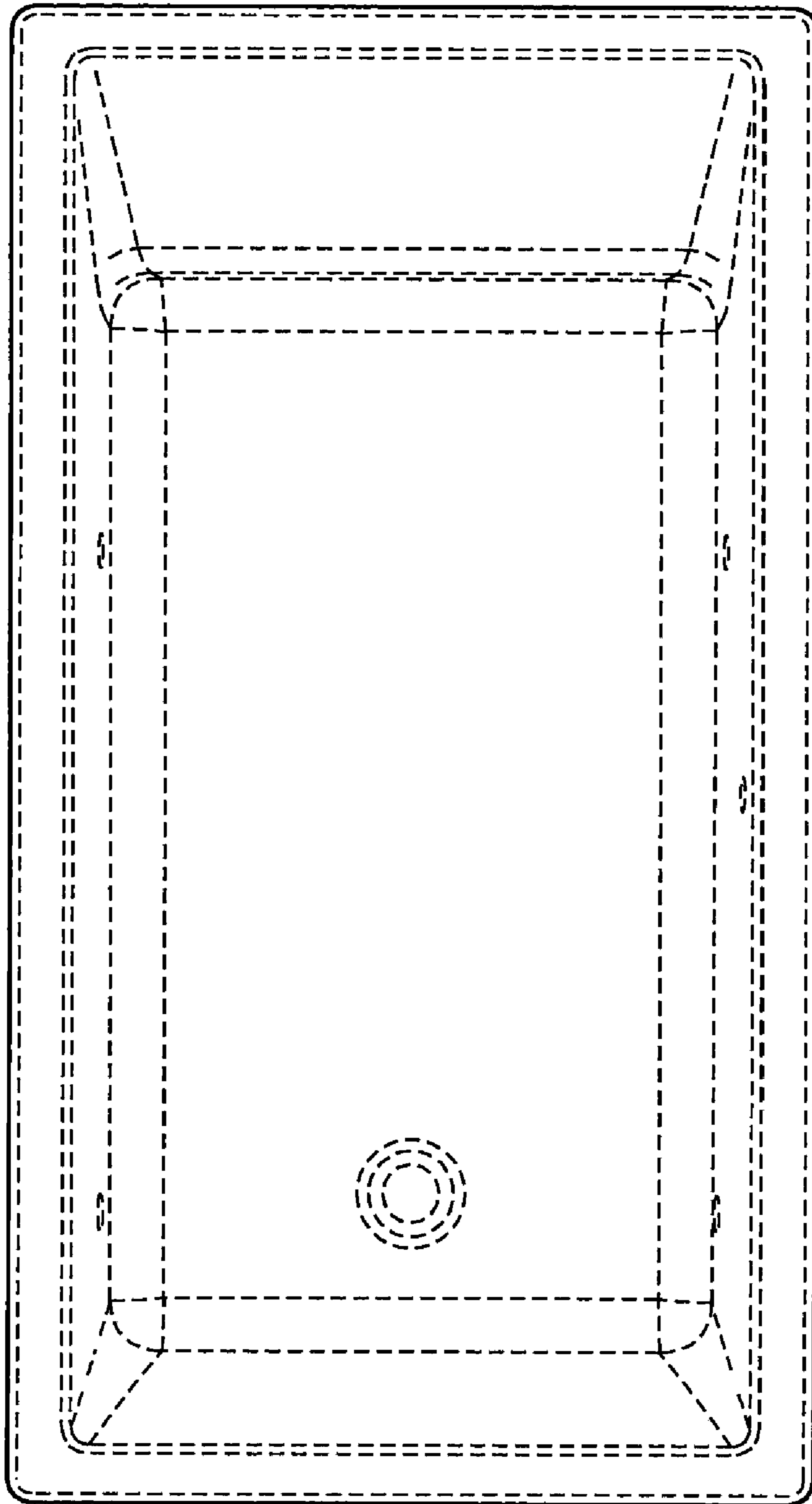


FIG. 6

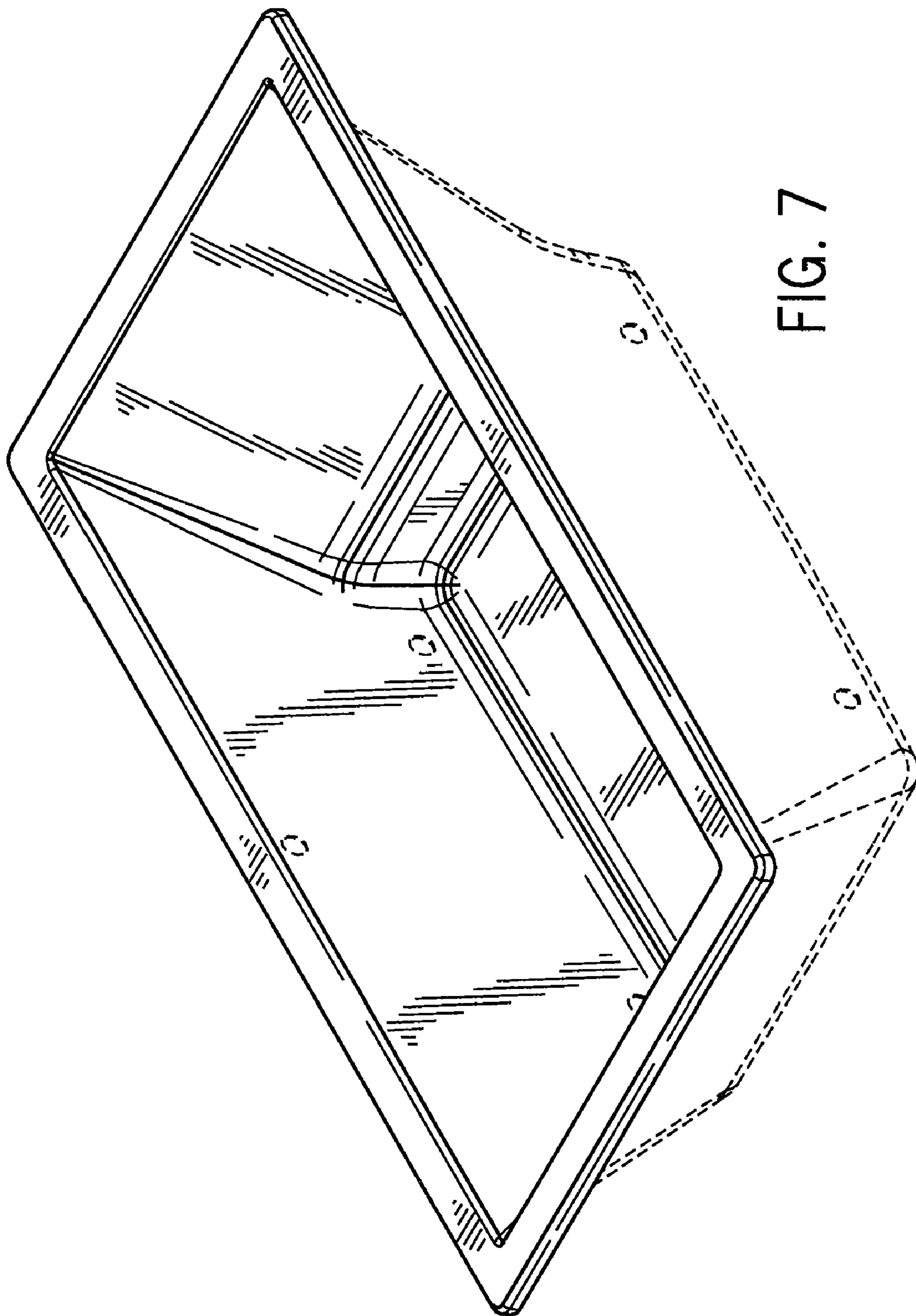


FIG. 7

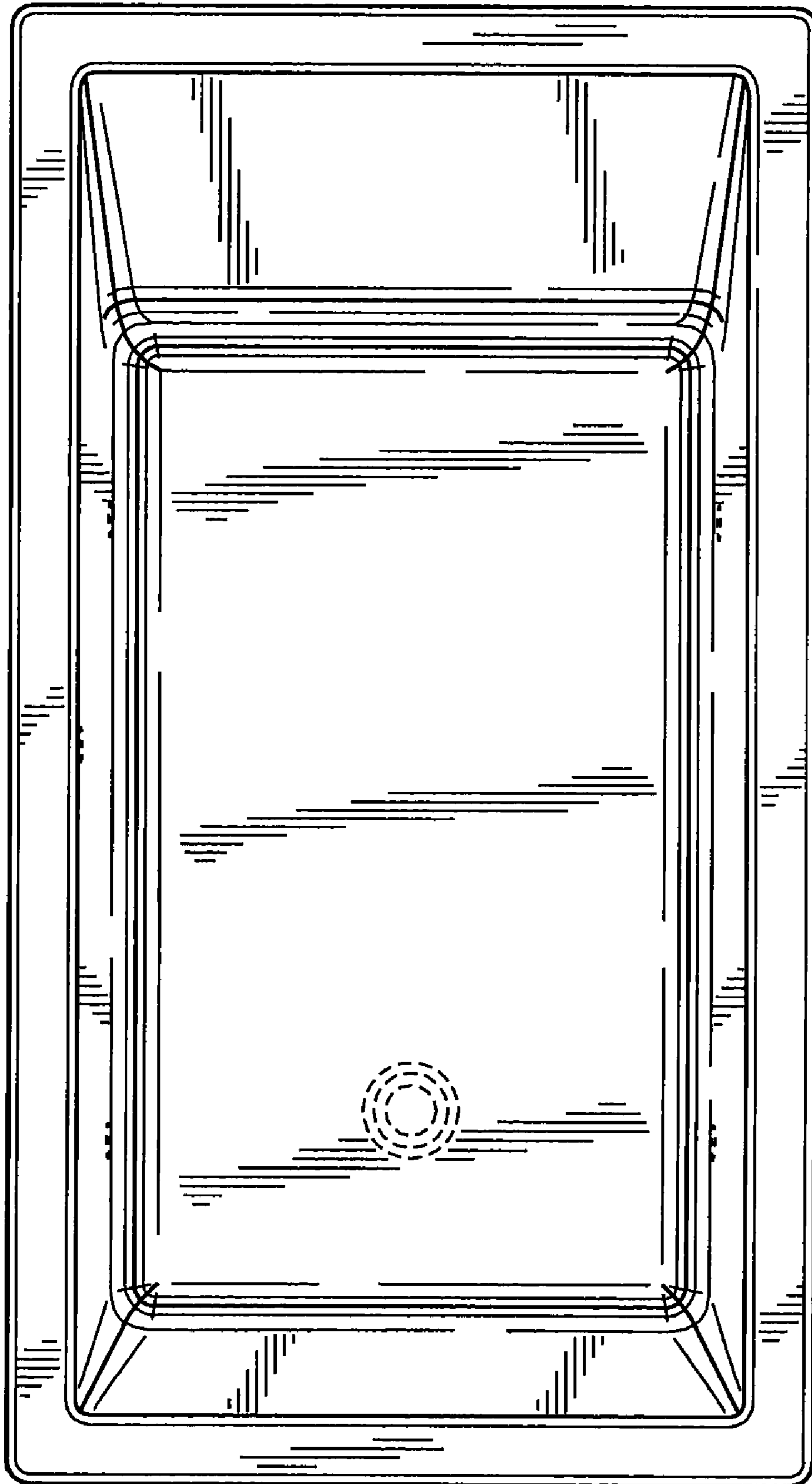


FIG. 8

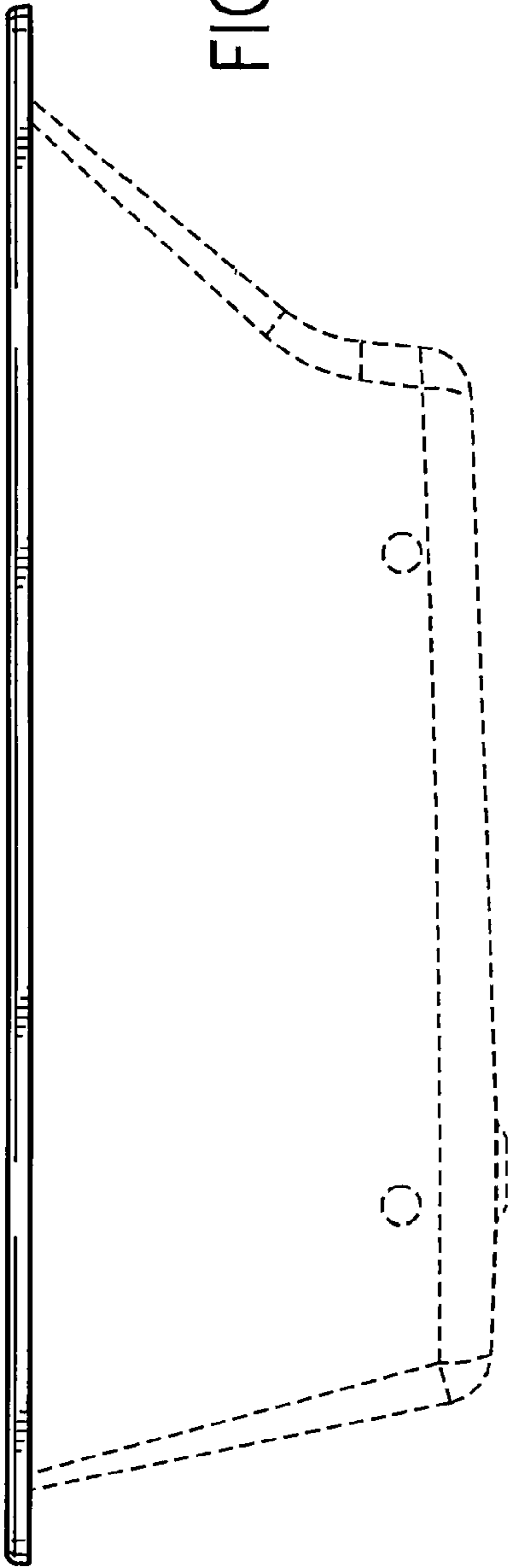


FIG. 9

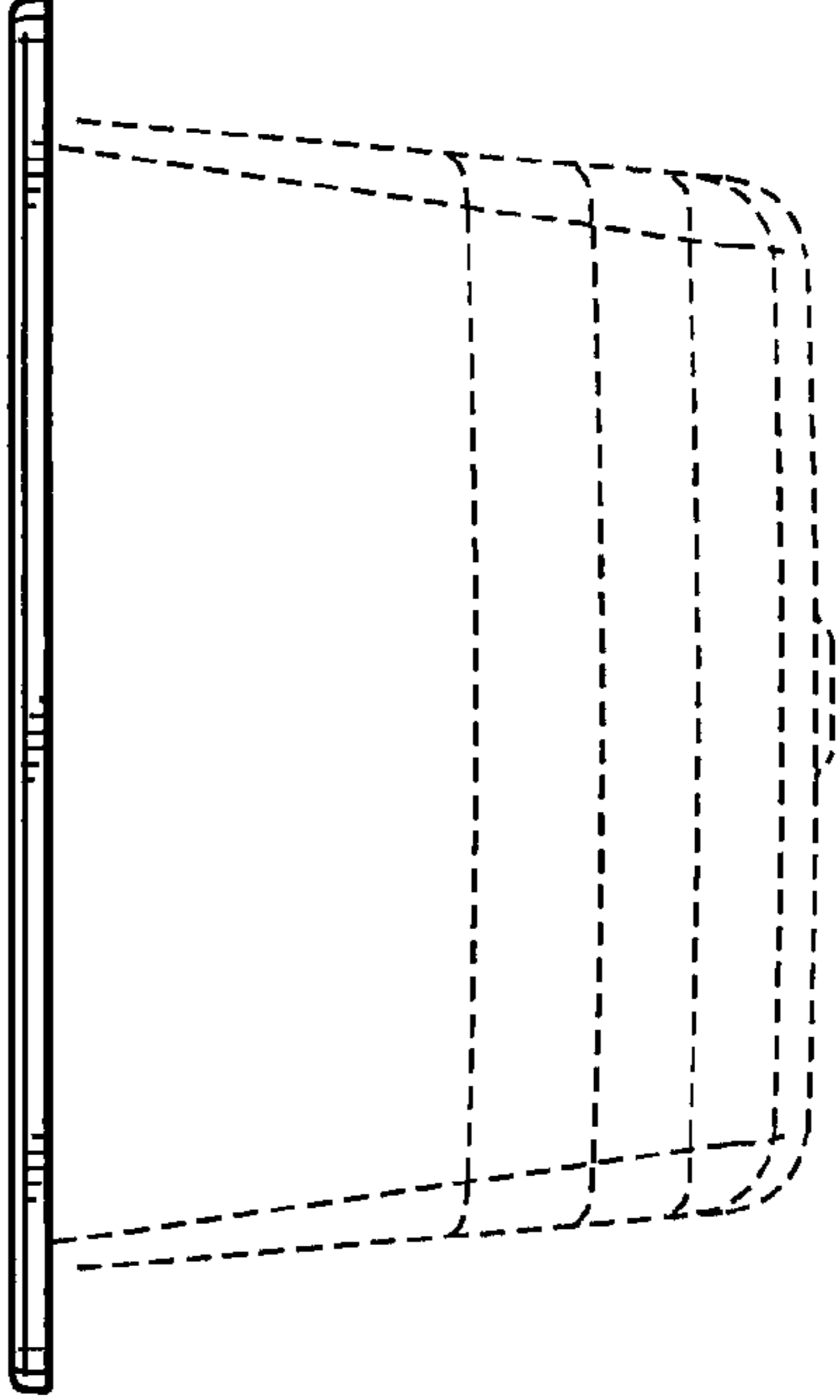


FIG. 11

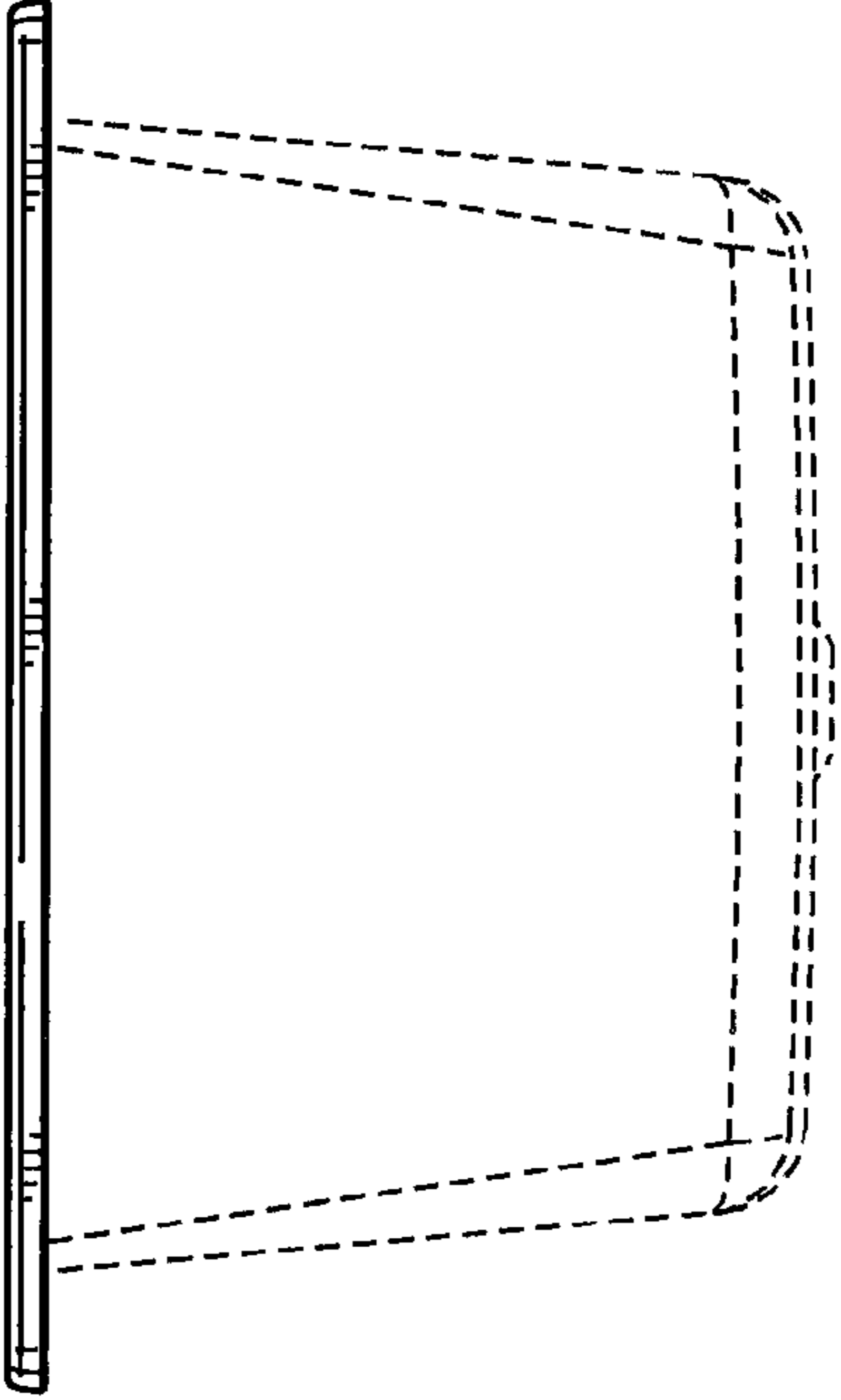


FIG. 10



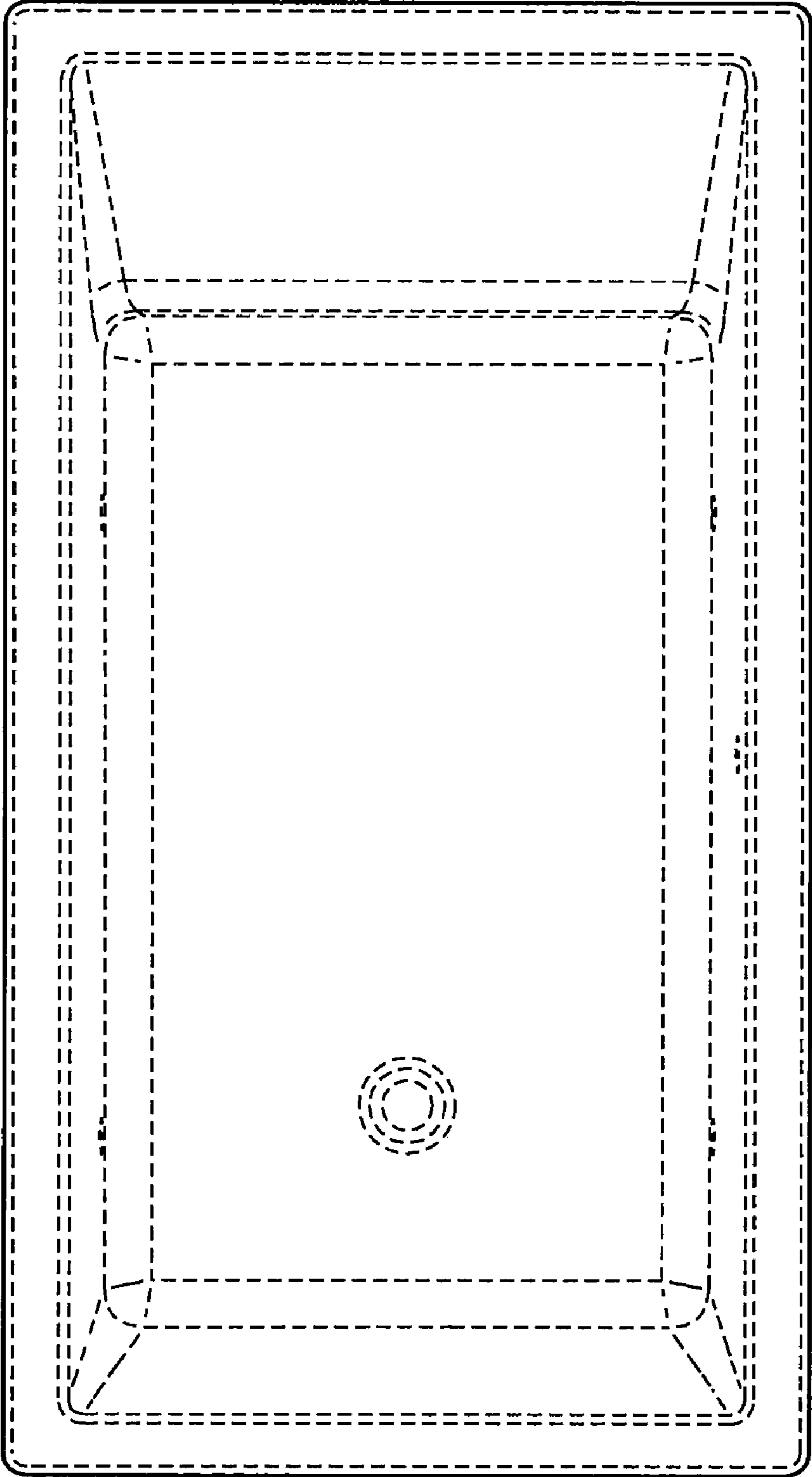


FIG. 12