



US00D594935S

(12) **United States Design Patent**
Schoenherr et al.

(10) **Patent No.:** **US D594,935 S**

(45) **Date of Patent:** **** Jun. 23, 2009**

(54) **FAUCET**

D535,725 S * 1/2007 Chu et al. D23/241
D572,798 S * 7/2008 Bickler et al. D23/238

(75) Inventors: **Tom Schoenherr**, Stuttgart (DE); **Anke Salomon**, Stuttgart (DE)

* cited by examiner

(73) Assignee: **Hansgrohe AG**, Schiltach (DE)

Primary Examiner—Robert A Delehanty

(**) Term: **14 Years**

(74) *Attorney, Agent, or Firm*—Nirav D. Parikh; Edgar A. Zarins

(21) Appl. No.: **29/322,644**

(57) **CLAIM**

(22) Filed: **Aug. 8, 2008**

The ornamental design for a faucet, as shown and described.

(51) **LOC (9) Cl.** **23-01**

(52) **U.S. Cl.** **D23/238**

(58) **Field of Classification Search** D23/239–243,
D23/250–254, 255–257; 4/675–678; 137/801;
16/110.1; D8/300, 307–312; D6/512, 524,
D6/546, 550

See application file for complete search history.

DESCRIPTION

FIG. 1 is a front perspective view of a faucet showing our design;

FIG. 2 is a front elevational view thereof;

FIG. 3 is a rear elevational view thereof;

FIG. 4 is a left side elevational view thereof; the right side elevational view being a mirror image thereof; and,

FIG. 5 is a top plan view thereof.

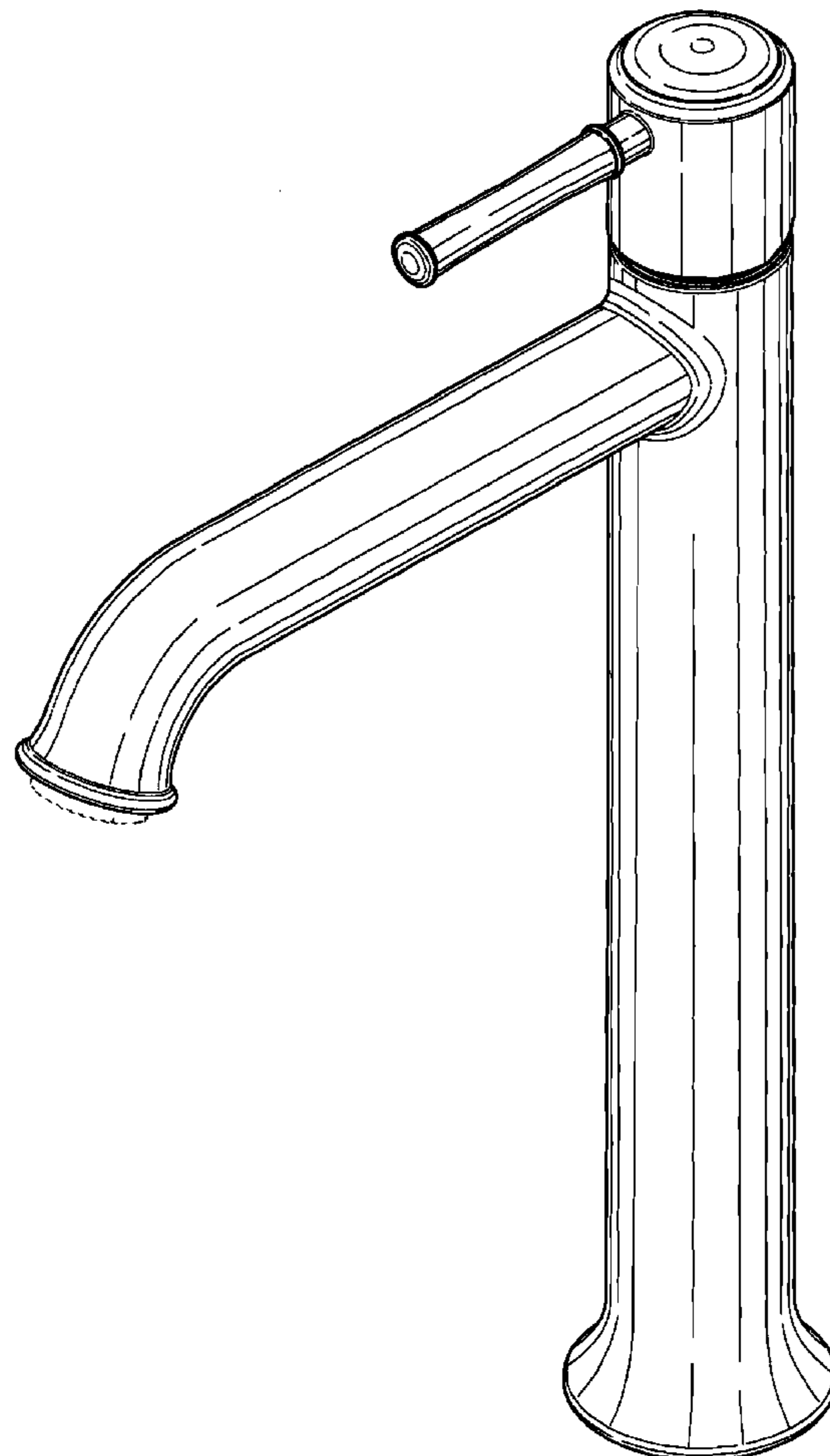
The features shown in broken lines depict environmental subject matter only and form no part of the claimed design.

(56) **References Cited**

U.S. PATENT DOCUMENTS

6,712,094 B1 * 3/2004 Chen 137/801
D514,199 S * 1/2006 Starck D23/238

1 Claim, 5 Drawing Sheets



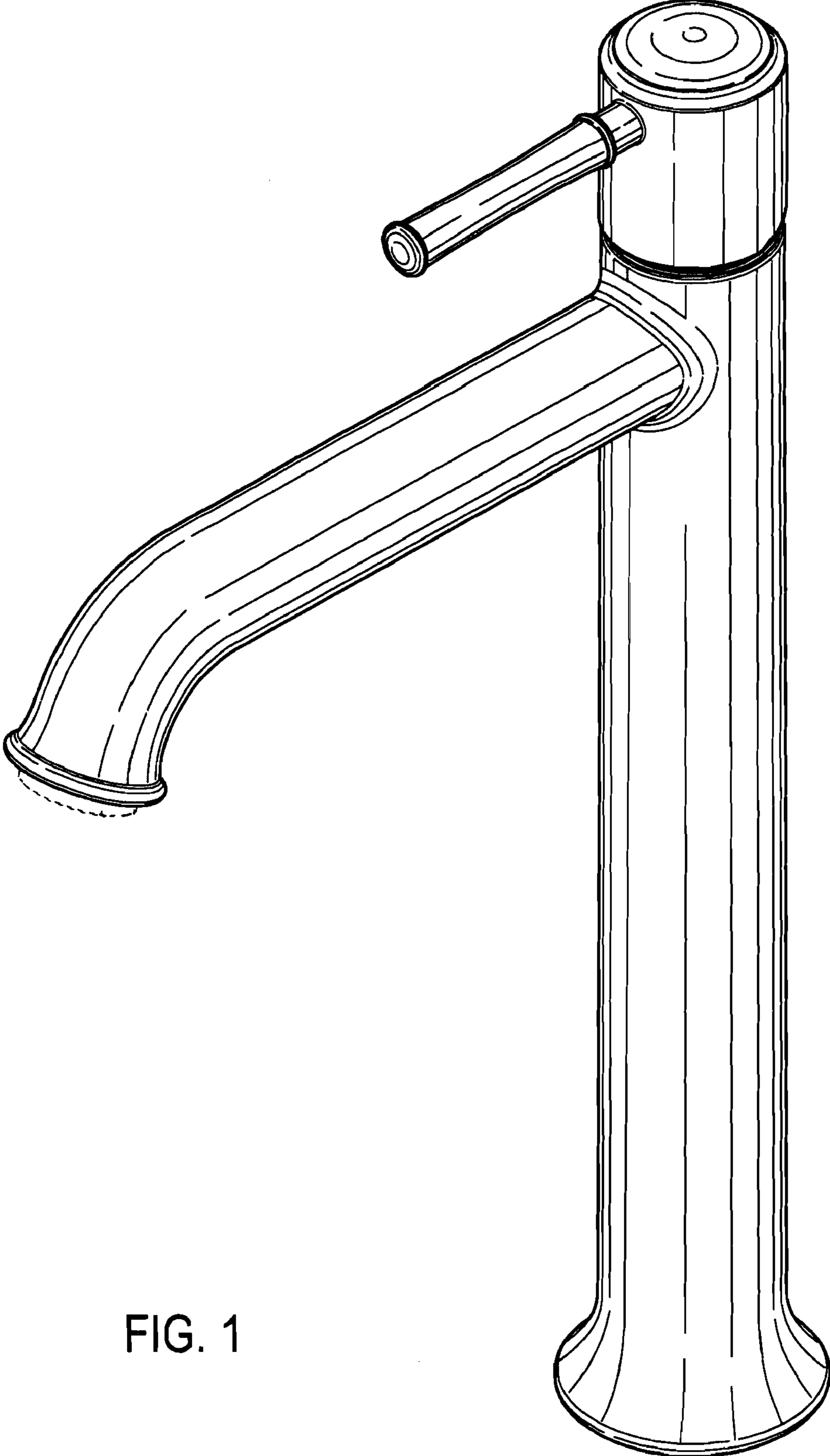


FIG. 1

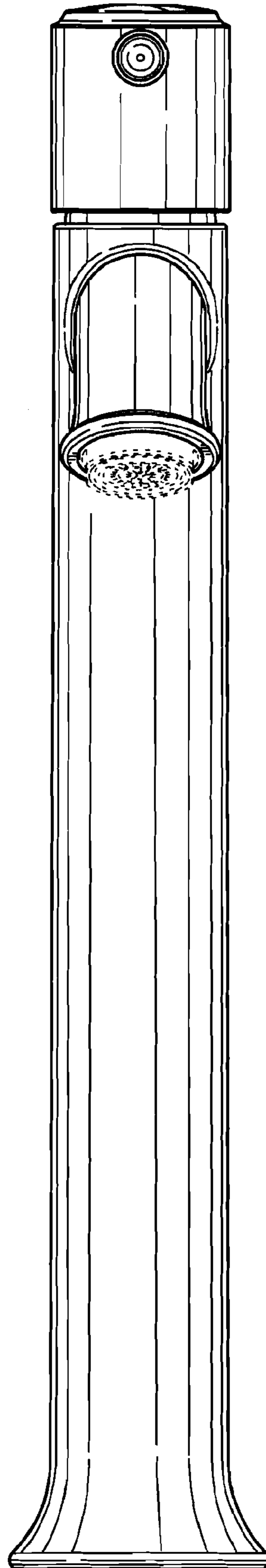


FIG. 2

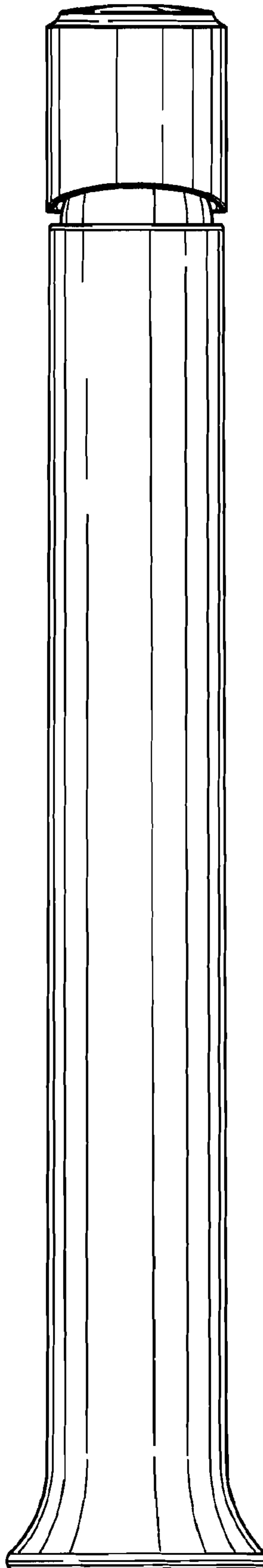


FIG. 3

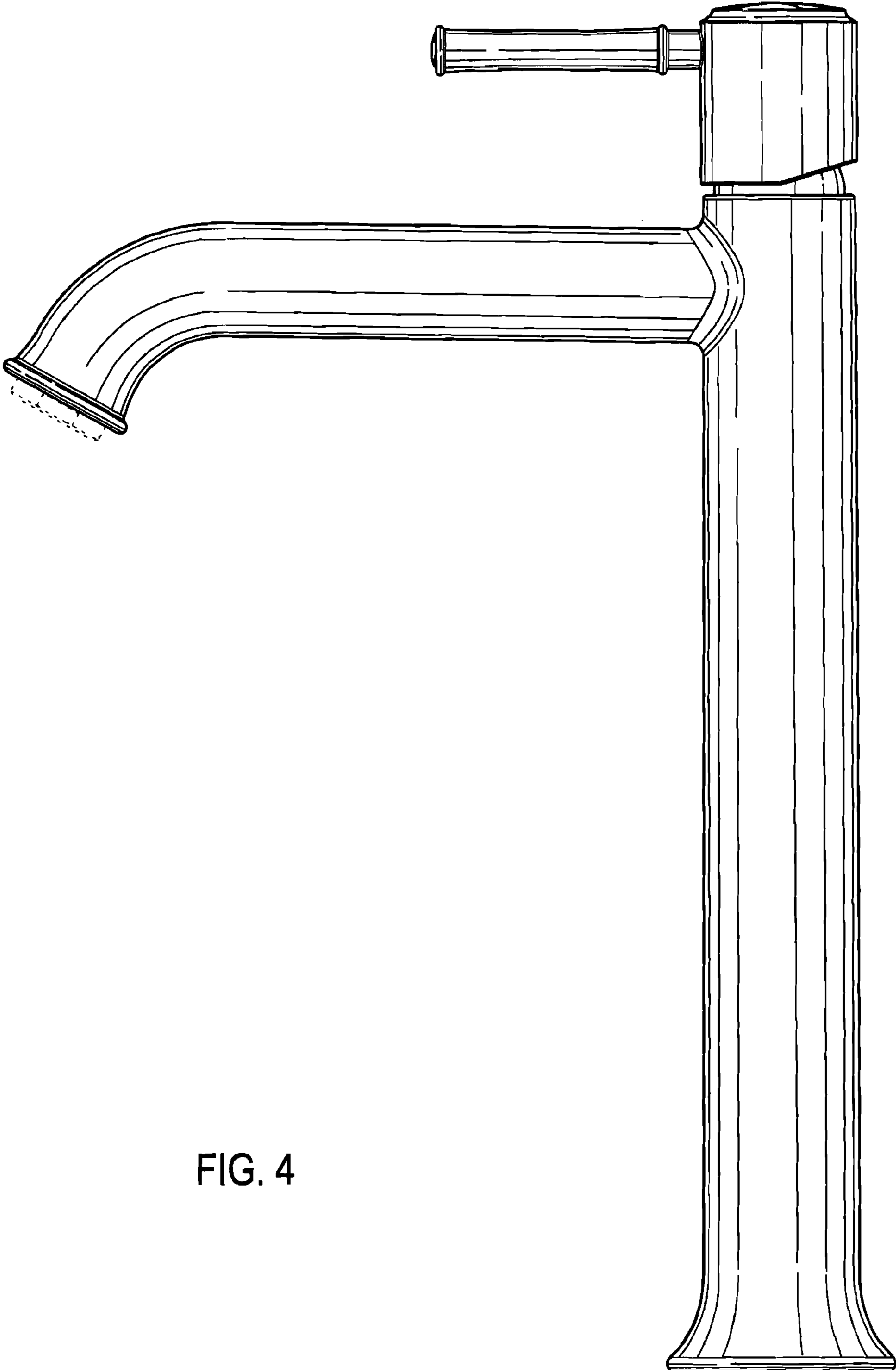


FIG. 4

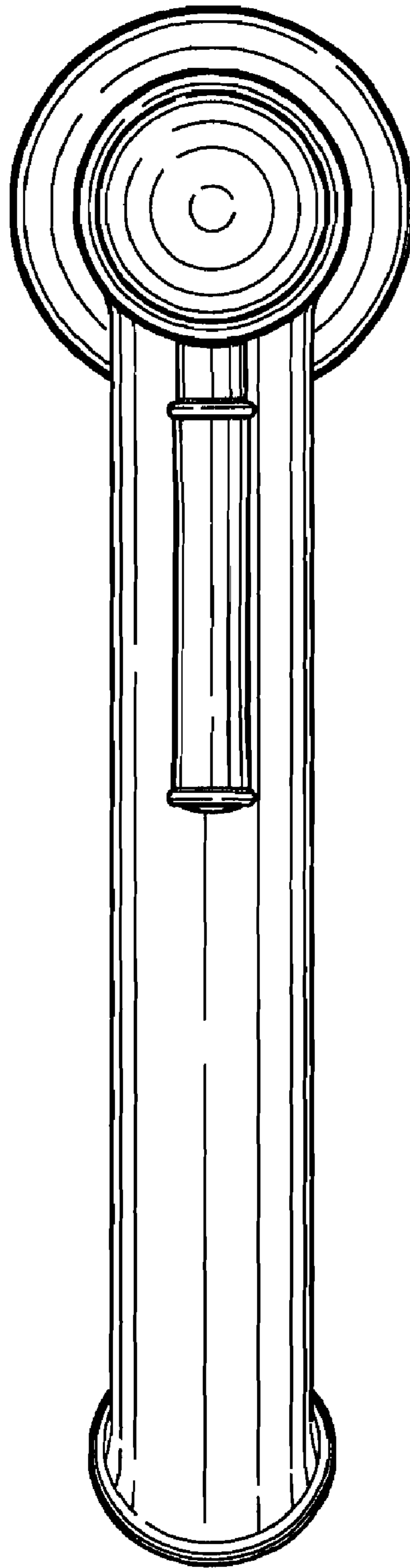


FIG. 5