



US00D594934S

(12) **United States Design Patent**  
**Vu et al.**

(10) **Patent No.:** **US D594,934 S**  
(45) **Date of Patent:** **\*\* \*Jun. 23, 2009**

(54) **FAUCET ASSEMBLY**

(75) Inventors: **Vince Vu**, Lawndale, CA (US);  
**Jonathan Wood**, San Juan Capistrano,  
CA (US); **Charles Molina**, Lakewood,  
OH (US); **Scott Cline**, New Albany, OH  
(US); **Patrick Walker**, Pataskala, OH  
(US)

(73) Assignee: **Brasstech, Inc.**, Santa Ana, CA (US)

(\*) Notice: This patent is subject to a terminal disclaimer.

(\*\*) Term: **14 Years**

(21) Appl. No.: **29/275,652**

(22) Filed: **Jan. 3, 2007**

(51) **LOC (9) Cl.** ..... **23-01**

(52) **U.S. Cl.** ..... **D23/238**

(58) **Field of Classification Search** ..... D23/238-257;  
4/675-678; 137/801

See application file for complete search history.

(56) **References Cited**

U.S. PATENT DOCUMENTS

D468,397 S \* 1/2003 Czerwinski, Jr. .... D23/238  
D479,309 S \* 9/2003 Haug et al. .... D23/238  
D479,579 S \* 9/2003 Haug et al. .... D23/238

D510,126 S \* 9/2005 Ouyoung ..... D23/238  
D531,698 S \* 11/2006 Wood et al. .... D23/238  
D534,622 S \* 1/2007 Chu et al. .... D23/238  
D535,357 S \* 1/2007 Zhou ..... D23/238  
D535,724 S \* 1/2007 Zhou ..... D23/238  
D540,914 S \* 4/2007 Haug et al. .... D23/238

\* cited by examiner

*Primary Examiner*—T. Chase Nelson

*Assistant Examiner*—Ania K Dworzecka

(74) *Attorney, Agent, or Firm*—Edgar A. Zarins; Nirav D. Parikh

(57) **CLAIM**

The ornamental design for a faucet assembly, as shown and described.

**DESCRIPTION**

FIG. 1 is a front perspective view of a faucet assembly showing our design;

FIG. 2 is a left side elevational view thereof;

FIG. 3 is a right side elevational view thereof;

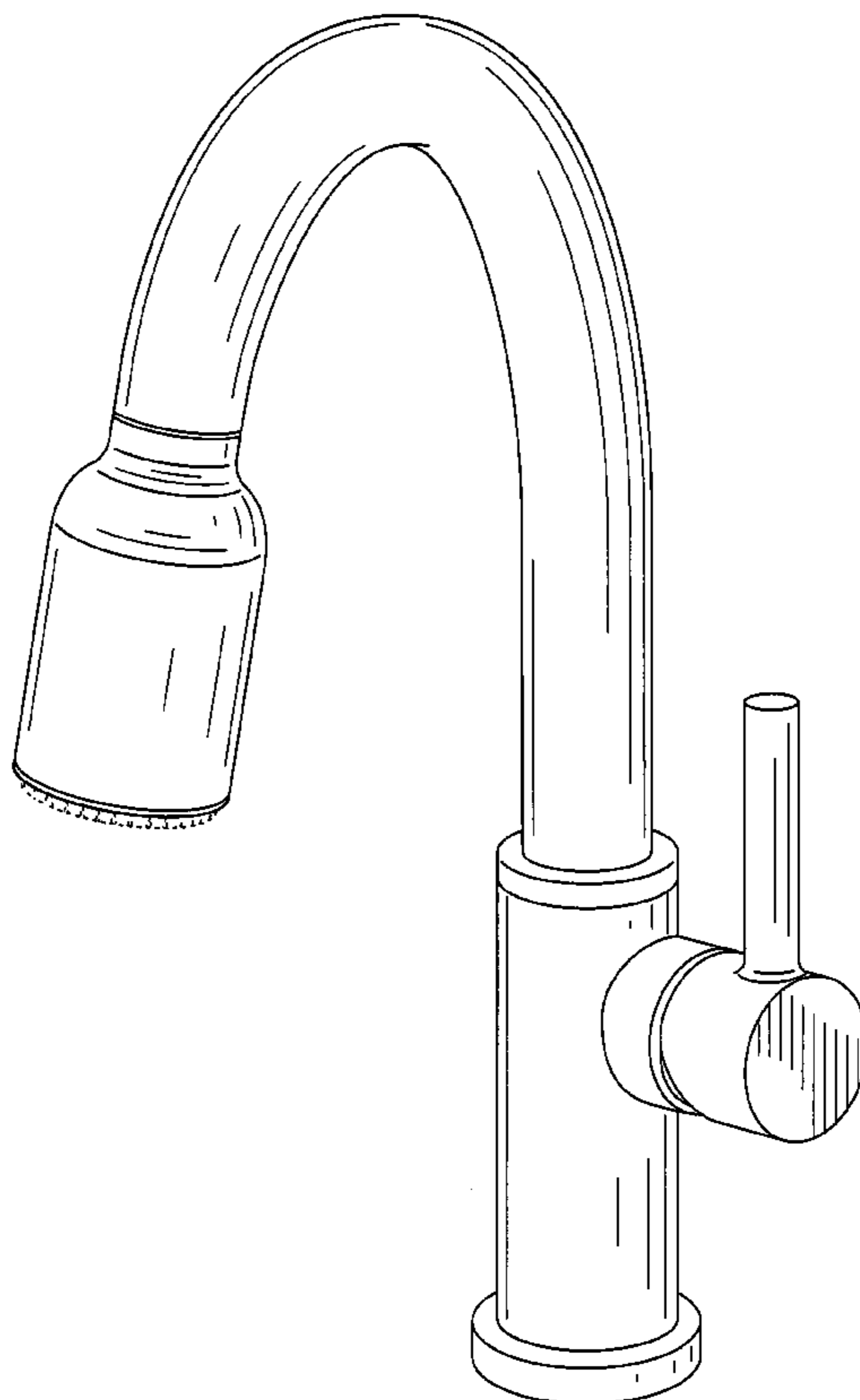
FIG. 4 is a front elevational view thereof;

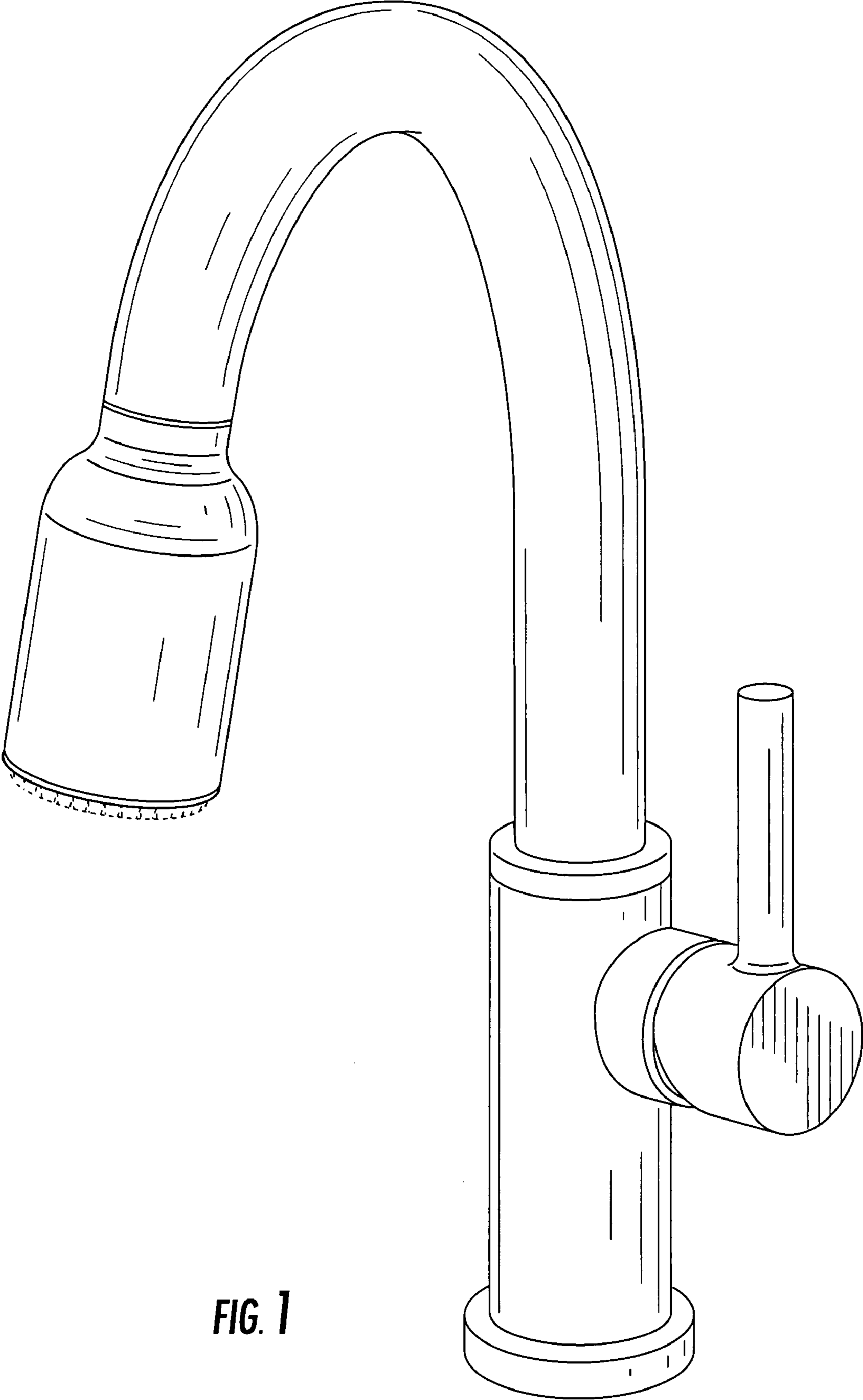
FIG. 5 is a rear elevational view thereof; and,

FIG. 6 is a top plan view thereof.

The broken lines in the Figures for illustrative purposes only and form no part of the claimed design.

**1 Claim, 6 Drawing Sheets**





**FIG. 1**

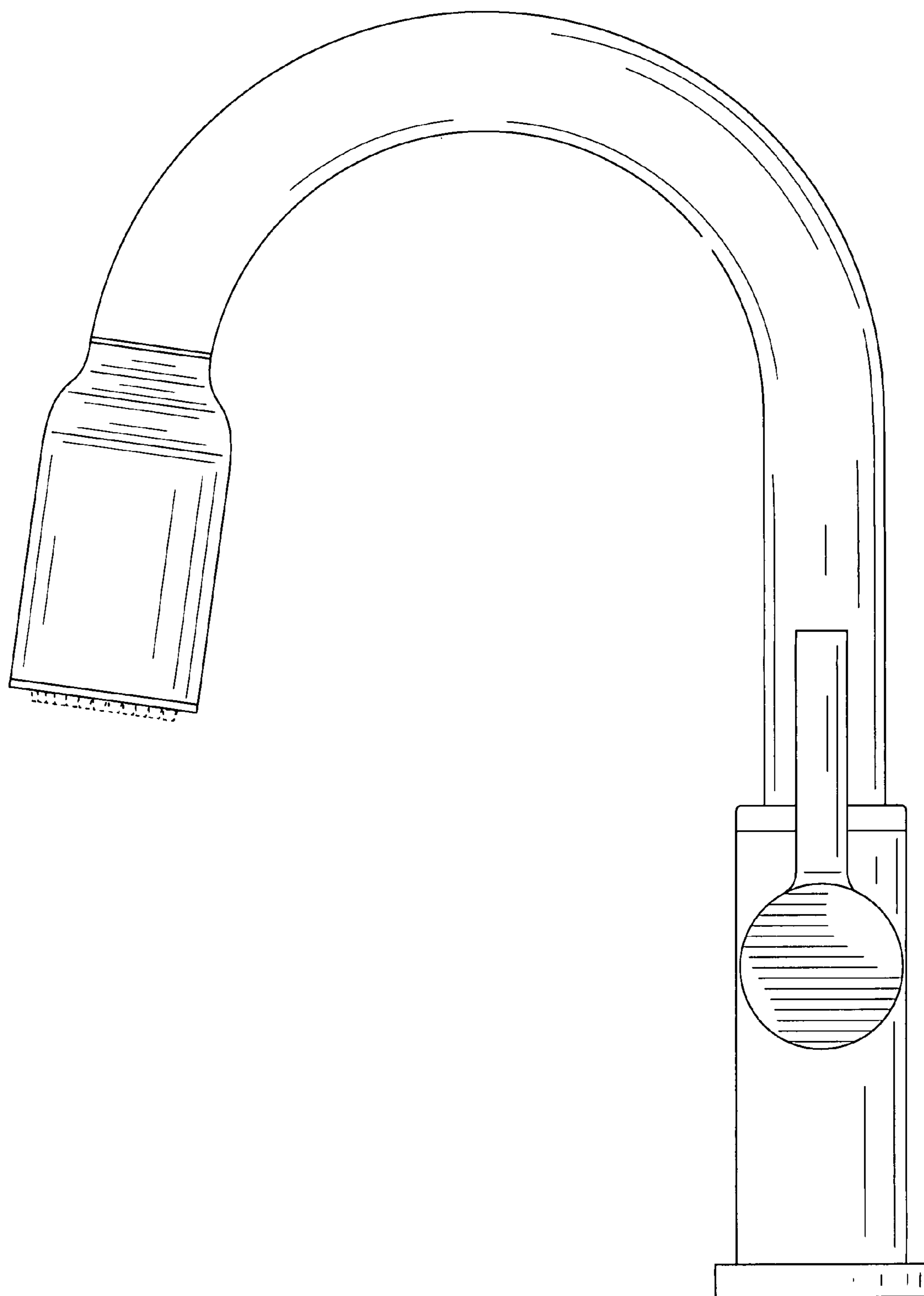


FIG. 2

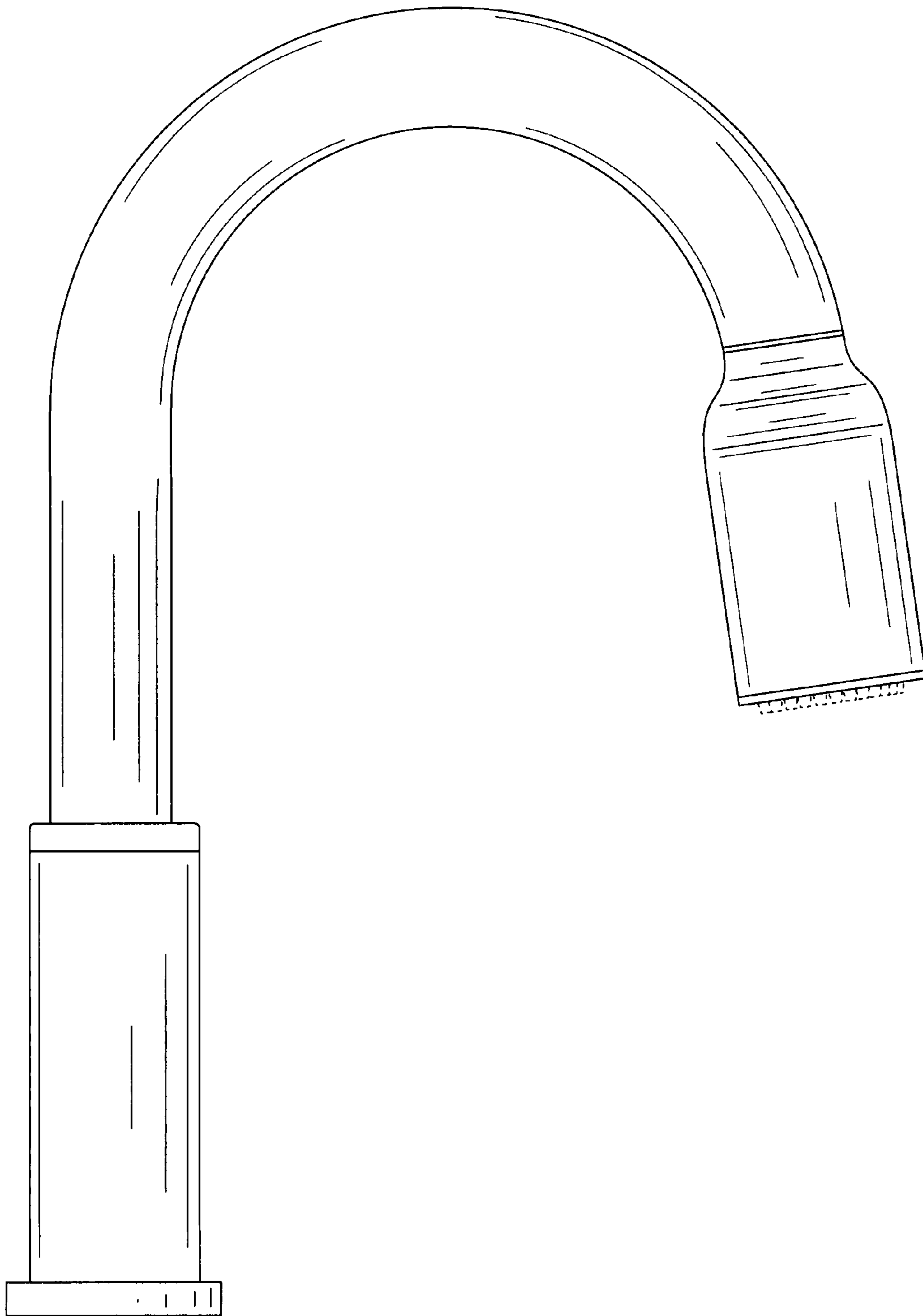
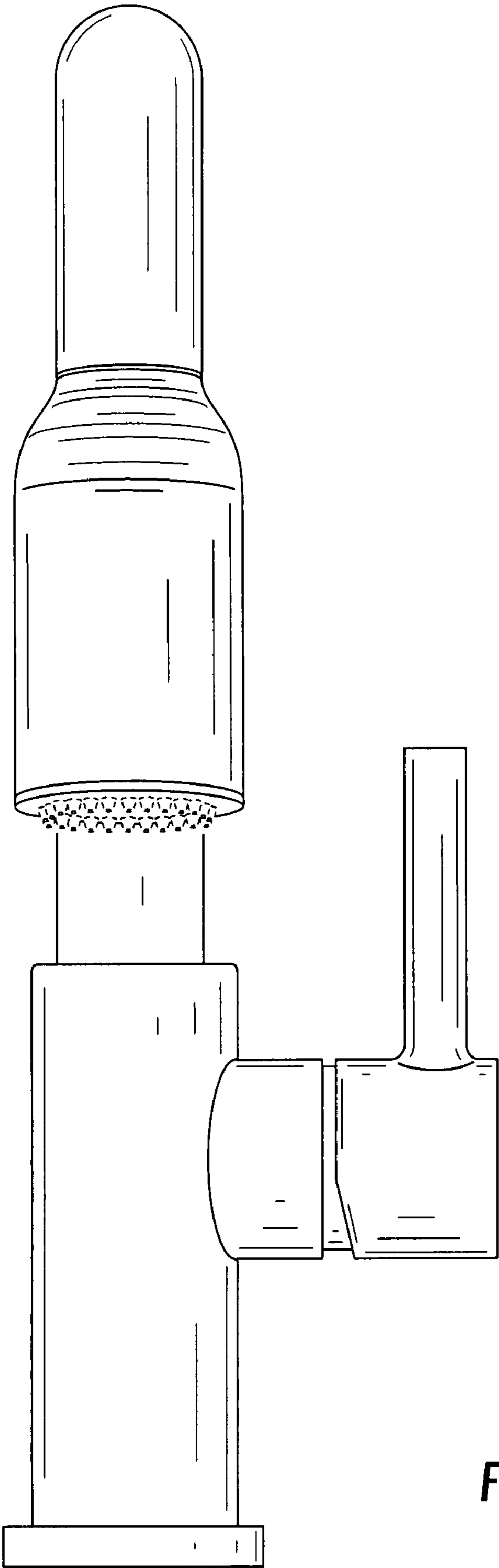
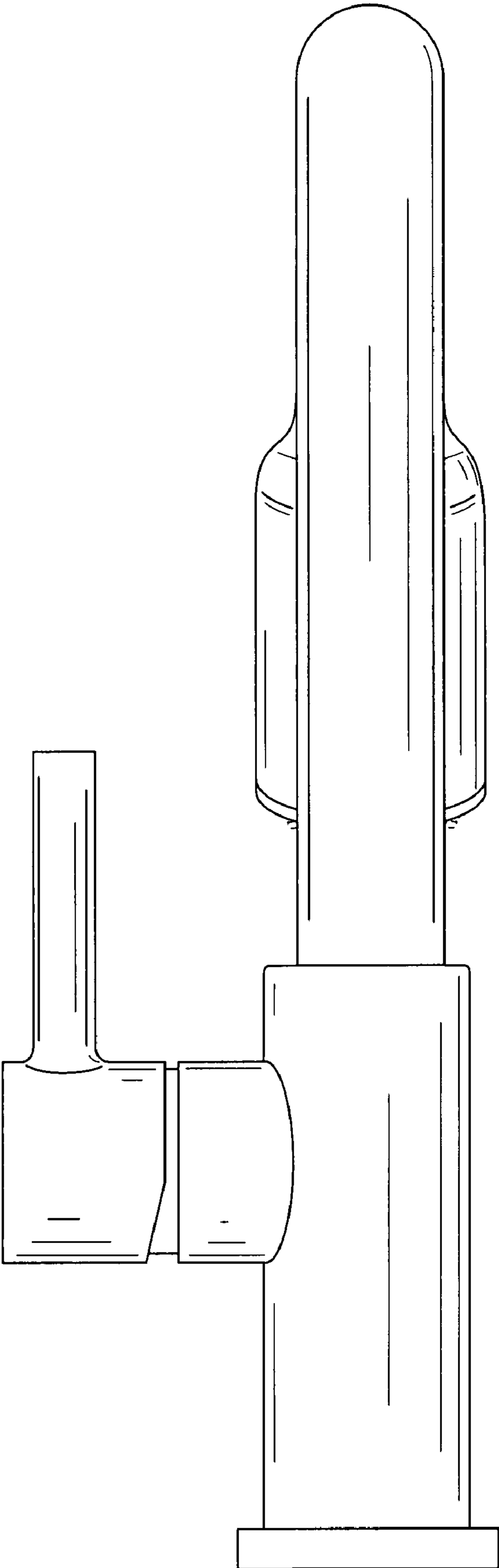


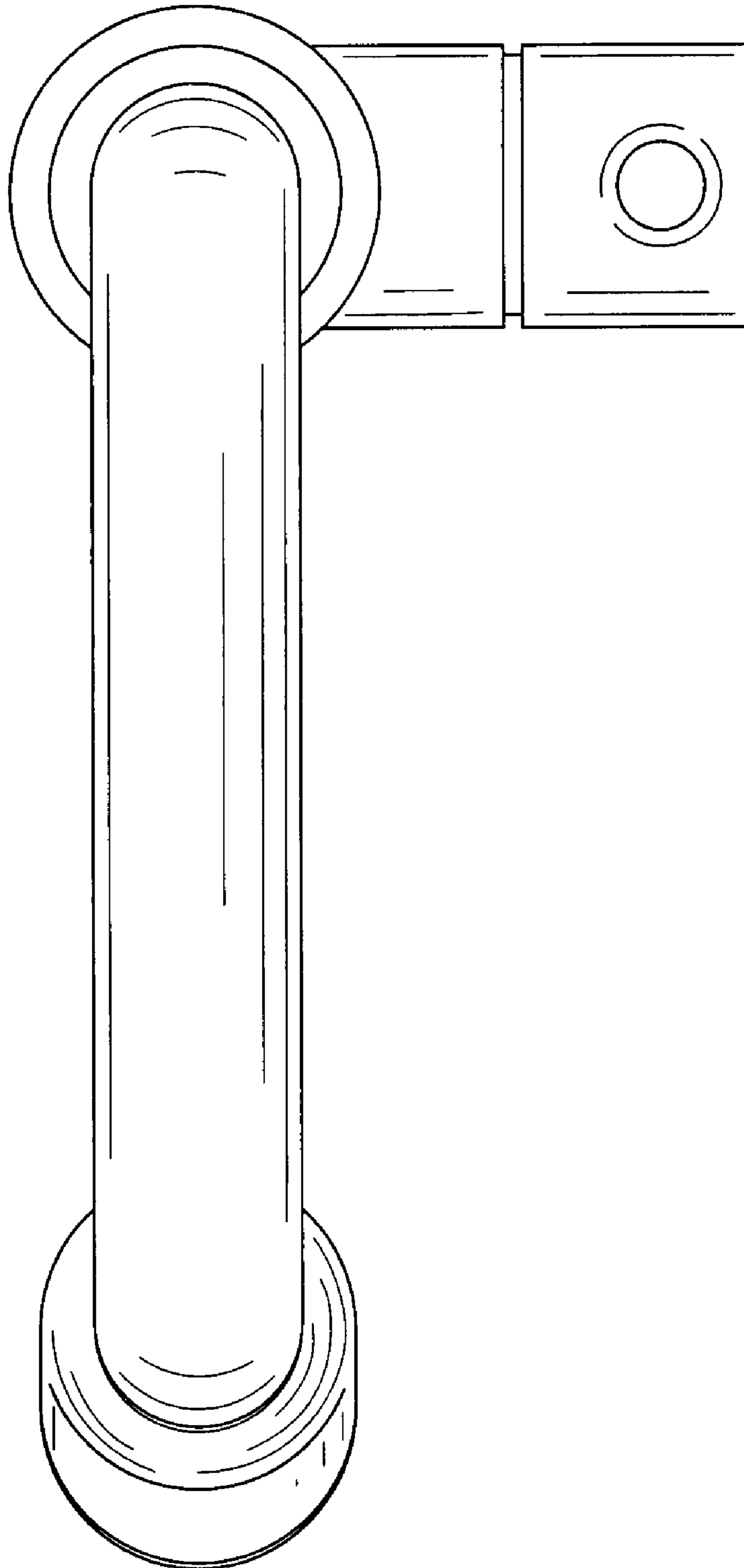
FIG. 3



**FIG. 4**



**FIG. 5**



**FIG. 6**