



US00D594929S

(12) **United States Design Patent**
Takakuwa et al.

(10) **Patent No.:** **US D594,929 S**

(45) **Date of Patent:** **** Jun. 23, 2009**

(54) **ELECTROMAGNETIC VALVE**

(75) Inventors: **Youji Takakuwa**, Tsukubamirai (JP);
Kengo Monden, Tsukubamirai (JP);
Kazuhiro Noguchi, Tsukubamirai (JP)

(73) Assignee: **SMC Corporation**, Chiyoda-ku, Tokyo
(JP)

(**) Term: **14 Years**

(21) Appl. No.: **29/285,805**

(22) Filed: **Apr. 11, 2007**

(30) **Foreign Application Priority Data**

Oct. 16, 2006 (JP) 2006-027873

(51) **LOC (9) Cl.** **23-01**

(52) **U.S. Cl.** **D23/233**

(58) **Field of Classification Search** D23/233–237,
D23/244–249; D15/7, 199; 137/554, 557,
137/560, 882, 884, 343, 625.64, 269, 271;
251/331, 219, 130, 15, 129.04

See application file for complete search history.

(56) **References Cited**

U.S. PATENT DOCUMENTS

D479,308 S *	9/2003	Hayashi et al.	D23/233
D533,628 S *	12/2006	Miyazoe et al.	D23/233
D545,944 S *	7/2007	Miyazoe	D23/233
D545,945 S *	7/2007	Miyazoe	D23/233
D563,507 S *	3/2008	Kato et al.	D23/233
D563,511 S *	3/2008	Mita et al.	D23/233
D563,513 S *	3/2008	Mita et al.	D23/233
D563,514 S *	3/2008	Mita et al.	D23/233

D563,515 S *	3/2008	Yoshimura et al.	D23/233
D563,516 S *	3/2008	Mita et al.	D23/233
D564,072 S *	3/2008	Yoshimura et al.	D23/233
D564,627 S *	3/2008	Miyazoe et al.	D23/233
D564,629 S *	3/2008	Miyazoe et al.	D23/233
D564,631 S *	3/2008	Miyazoe et al.	D23/233
D574,466 S *	8/2008	Kato	D23/233

* cited by examiner

Primary Examiner—Ian Simmons

Assistant Examiner—Maurice Stevens

(74) *Attorney, Agent, or Firm*—Yokoi & Co., USA., Inc.;
Peter Ganjian

(57) **CLAIM**

The ornamental design for an electromagnetic valve, as shown and described.

DESCRIPTION

FIG. 1 shows a front view of an electromagnetic valve showing my new design;

FIG. 2 shows a rear view thereof;

FIG. 3 shows a top view thereof;

FIG. 4 shows a bottom view thereof;

FIG. 5 shows a right side view thereof;

FIG. 6 shows a left side view thereof;

FIG. 7 shows a perspective view thereof; and,

FIG. 8 shows a perspective view thereof.

The portions of the design shown in broken lines in FIGS. 2 and 8 are for the purpose of illustrating the environment only and form no part of the claimed design.

1 Claim, 3 Drawing Sheets

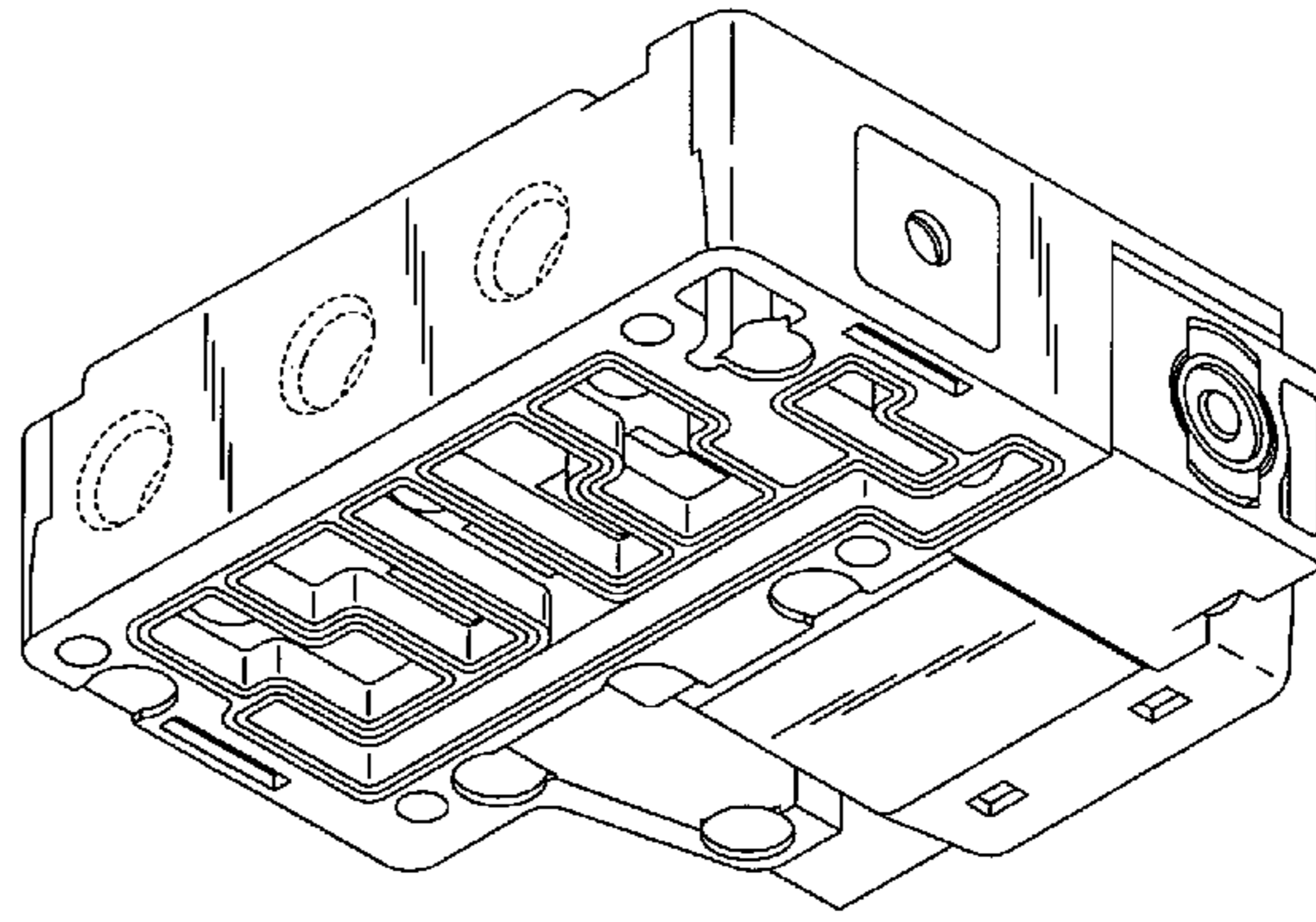
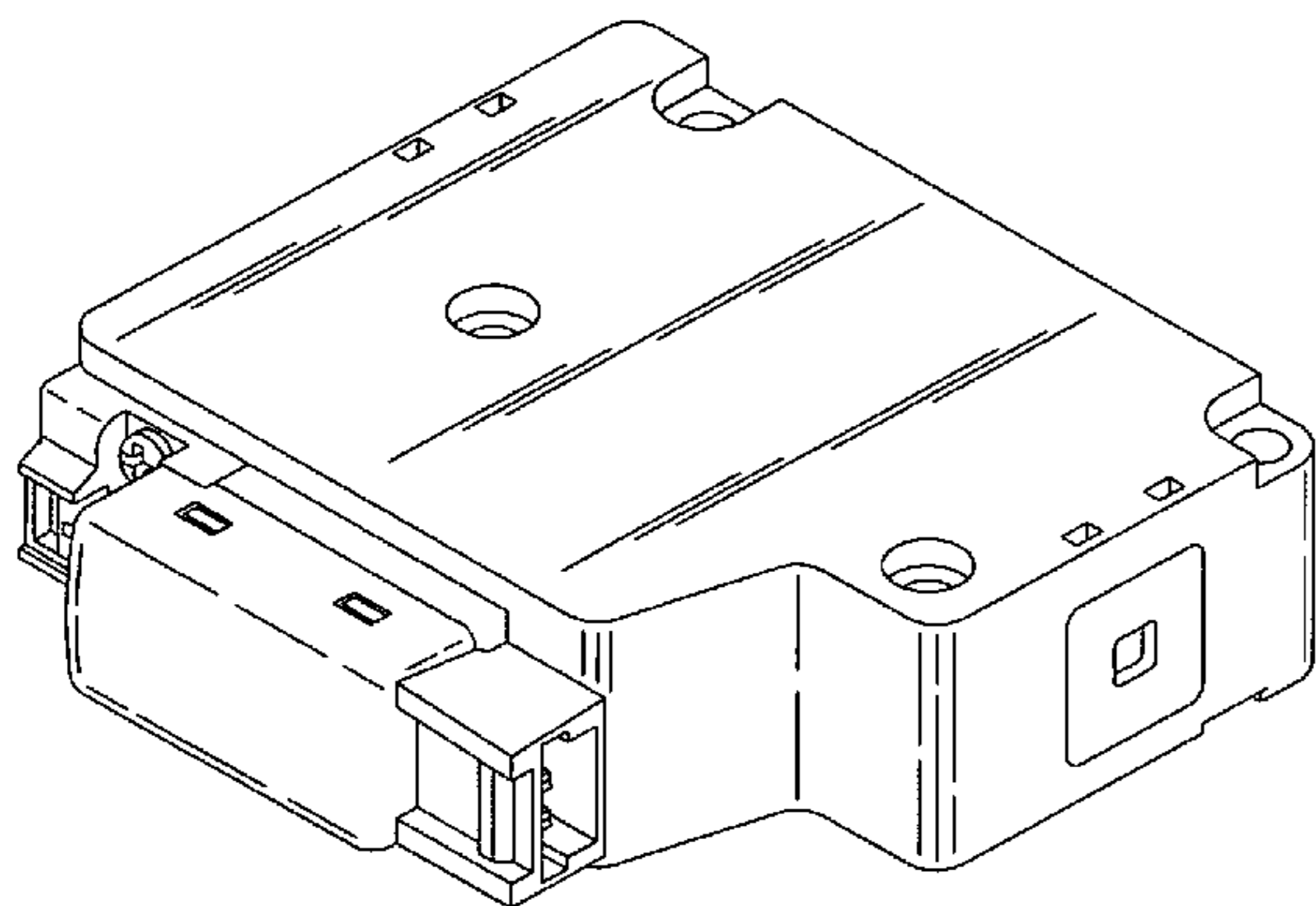


FIG. 1

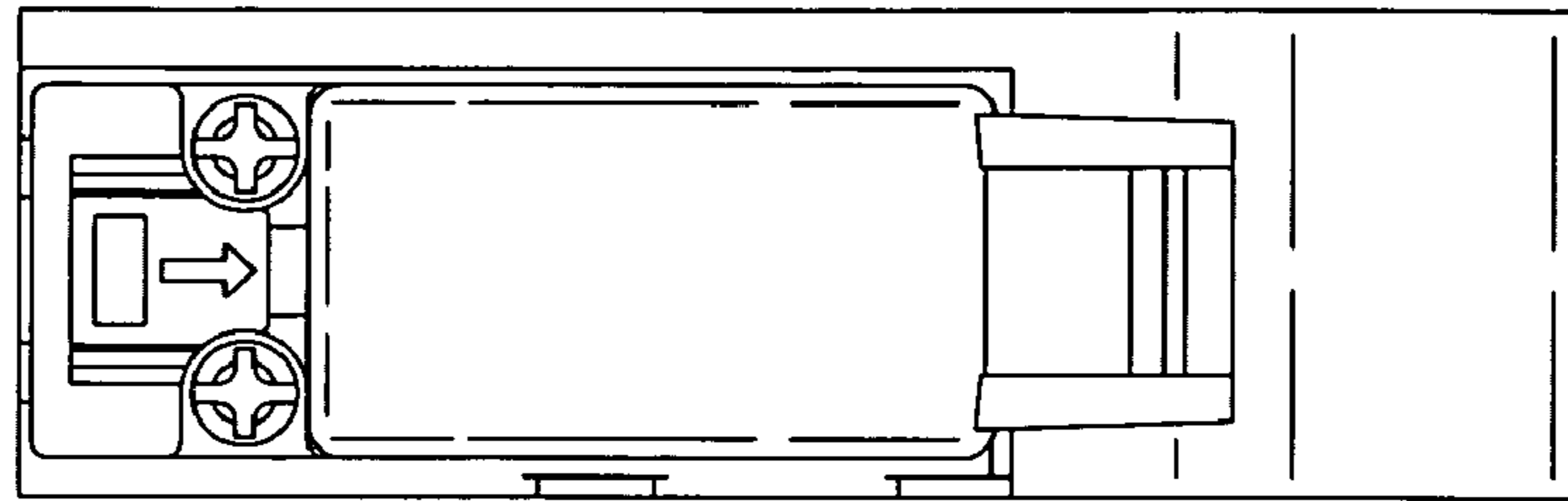


FIG. 2

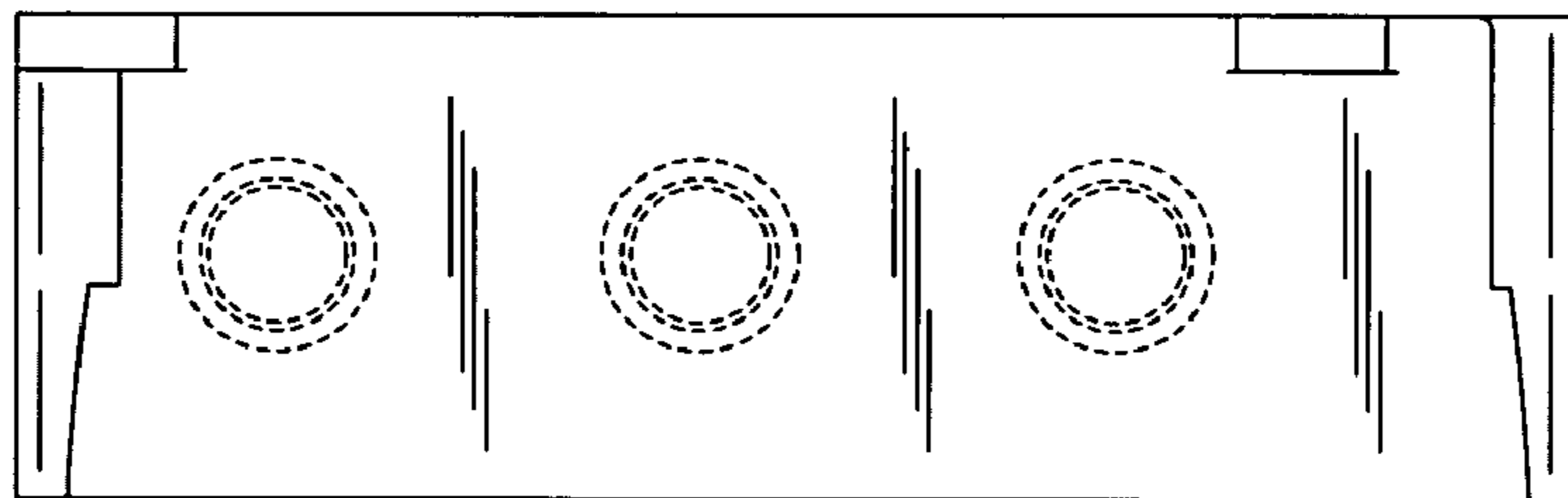


FIG. 3

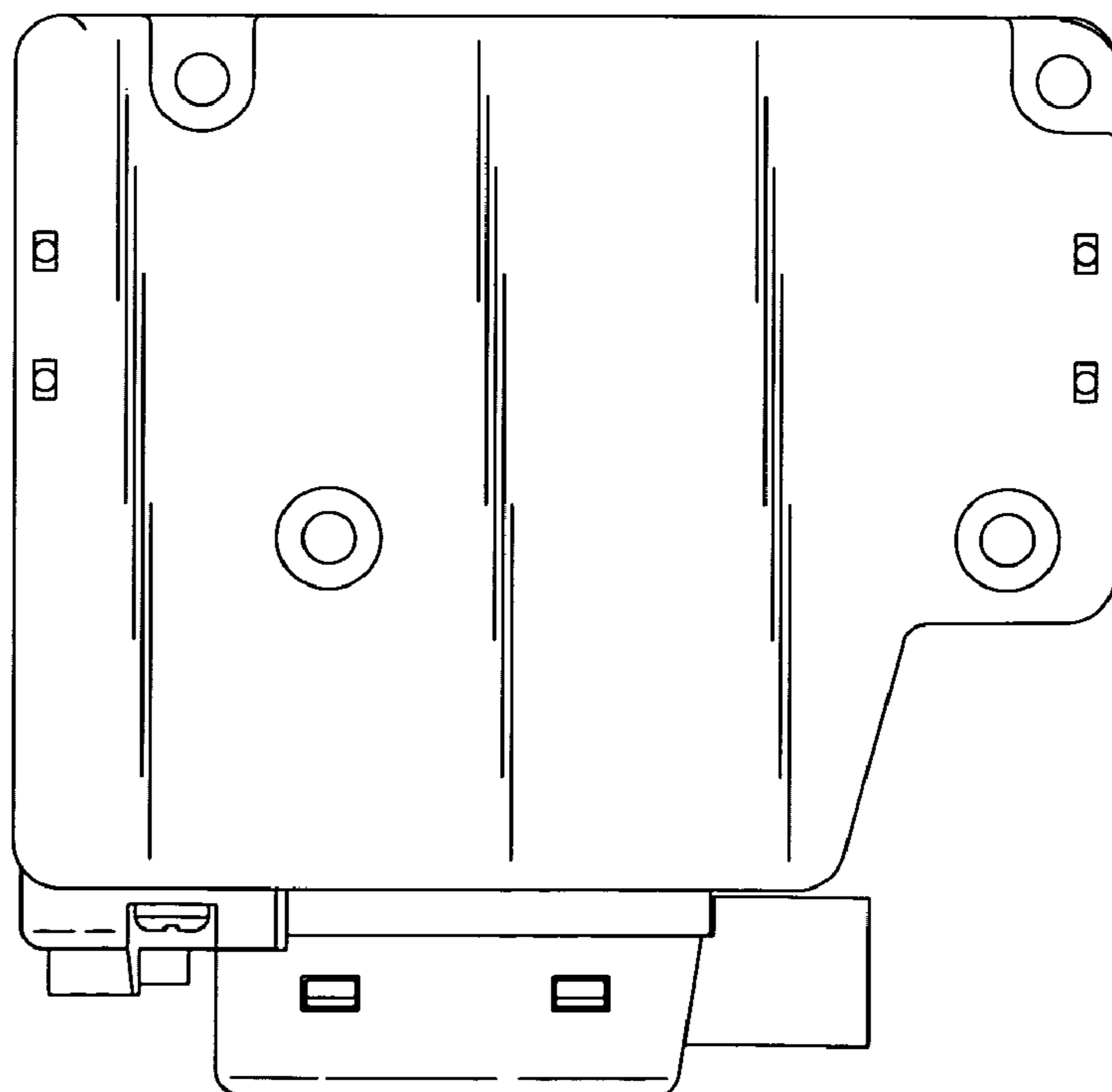


FIG. 4

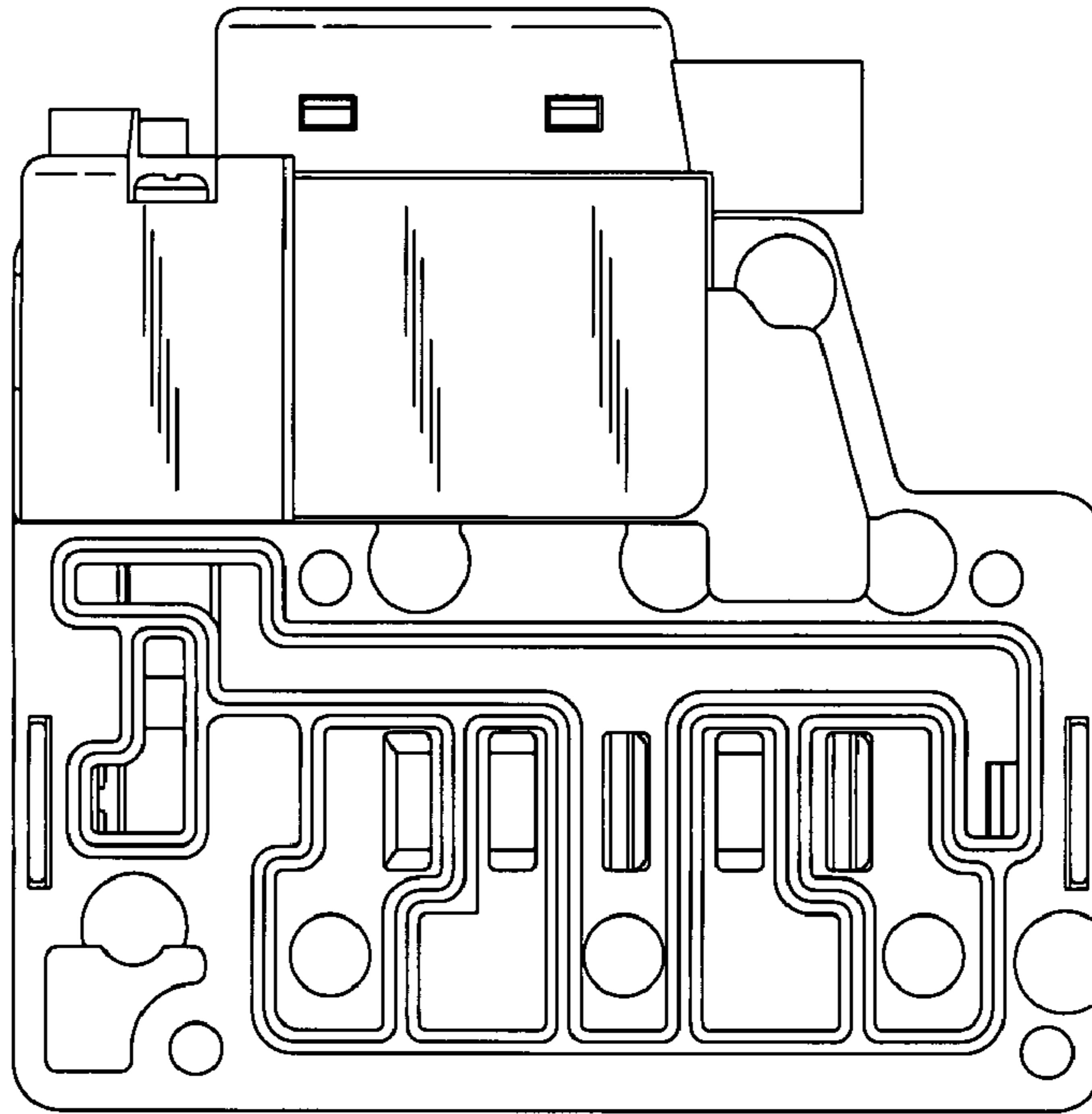


FIG. 5

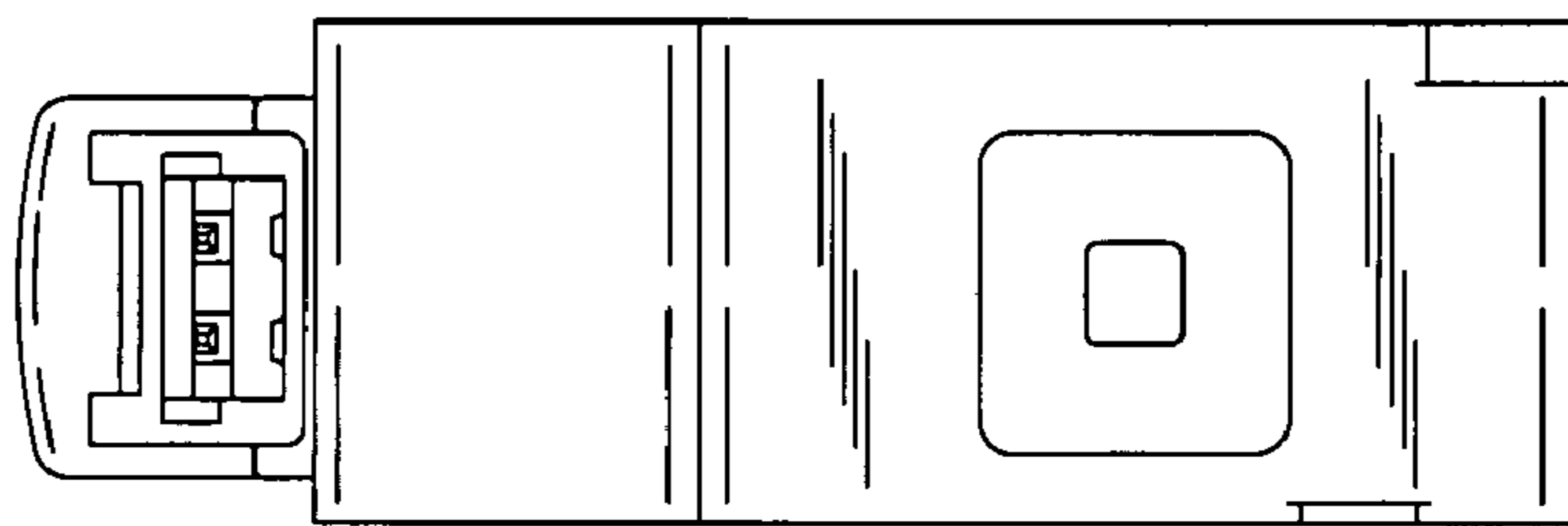


FIG. 6

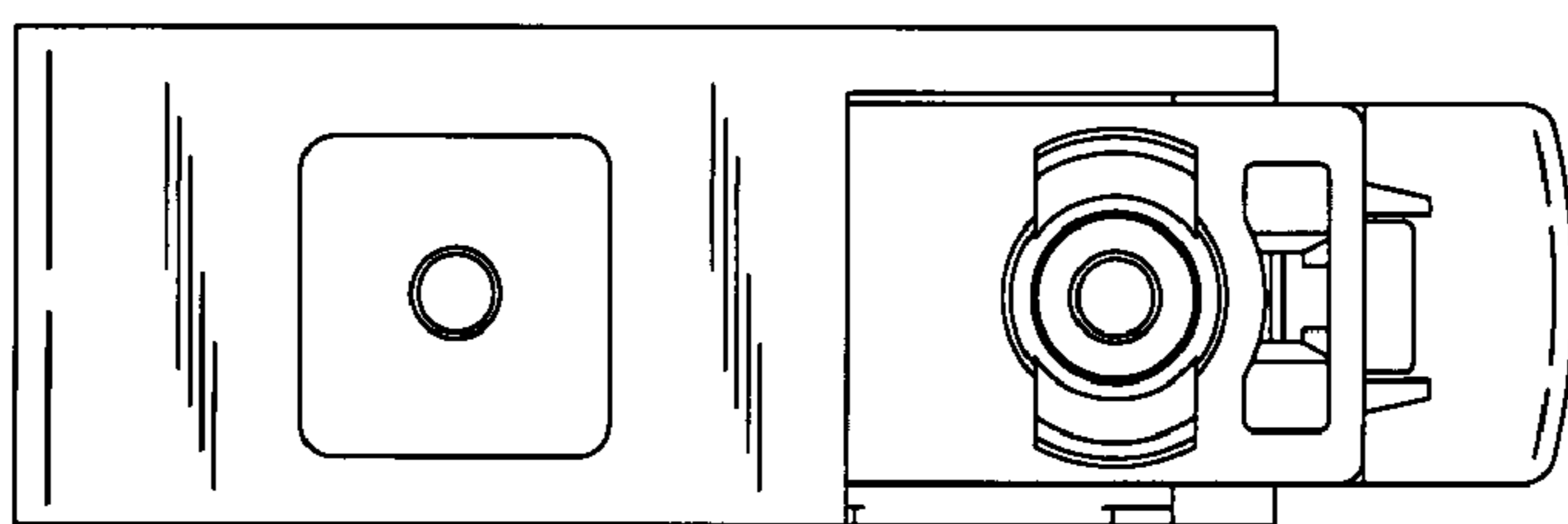


FIG. 7

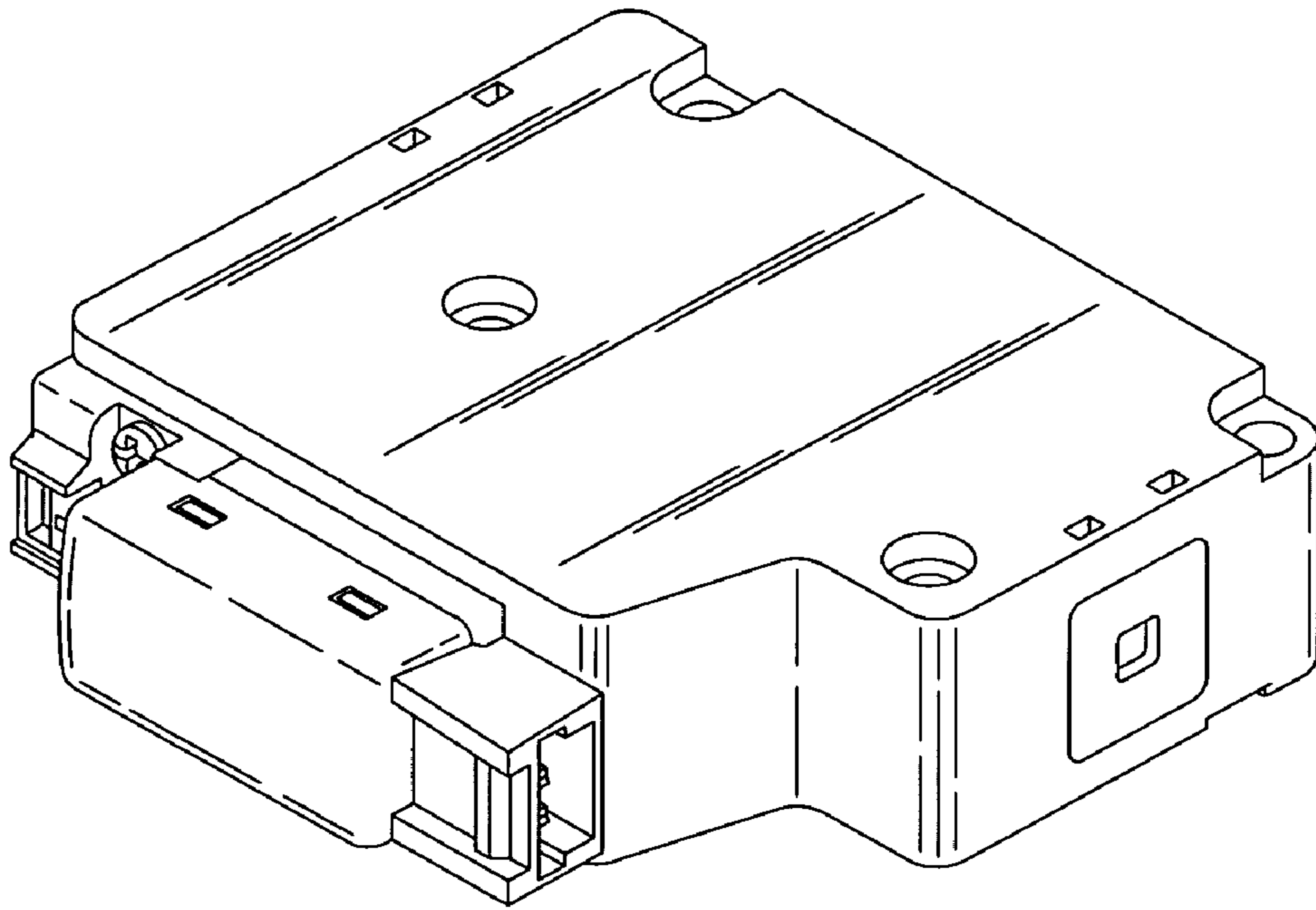


FIG. 8

