

US00D594928S

(12) **United States Design Patent**
Beschi

(10) **Patent No.:** **US D594,928 S**

(45) **Date of Patent:** **** Jun. 23, 2009**

(54) **SHOWER HEAD**

(75) Inventor: **Francesco Beschi**, Mantova (IT)

(73) Assignee: **Nikles Tec Italia S.r.L.**, Carpenedolo,
Brescia (IT)

(**) Term: **14 Years**

(21) Appl. No.: **29/323,432**

(22) Filed: **Aug. 26, 2008**

(30) **Foreign Application Priority Data**

Feb. 29, 2008 (EM) 000898374

(51) **LOC (9) Cl.** **23-01**

(52) **U.S. Cl.** **D23/213**

(58) **Field of Classification Search** D23/213,
D23/223, 229–230; 239/282–283, 460, 462
See application file for complete search history.

(56) **References Cited**

U.S. PATENT DOCUMENTS

D228,908 S * 10/1973 Juhlin D23/223
D495,028 S * 8/2004 Jorgensen et al. D23/223
D552,211 S * 10/2007 Toyohara D23/213

D553,708 S * 10/2007 Garner D23/213
D575,845 S * 8/2008 Lobermeier et al. D23/223
D578,181 S * 10/2008 Pan D23/213
D584,793 S * 1/2009 Sieger D23/213

* cited by examiner

Primary Examiner—Robin V Webster

(74) *Attorney, Agent, or Firm*—Shoemaker and Mattare

(57) **CLAIM**

The ornamental design for a shower head, as shown and described.

DESCRIPTION

FIG. 1 is a perspective view of a shower head, showing my new design from the top, front and right side;

FIG. 2 is a perspective view thereof, from the bottom and right side;

FIG. 3 is a right side elevational view thereof;

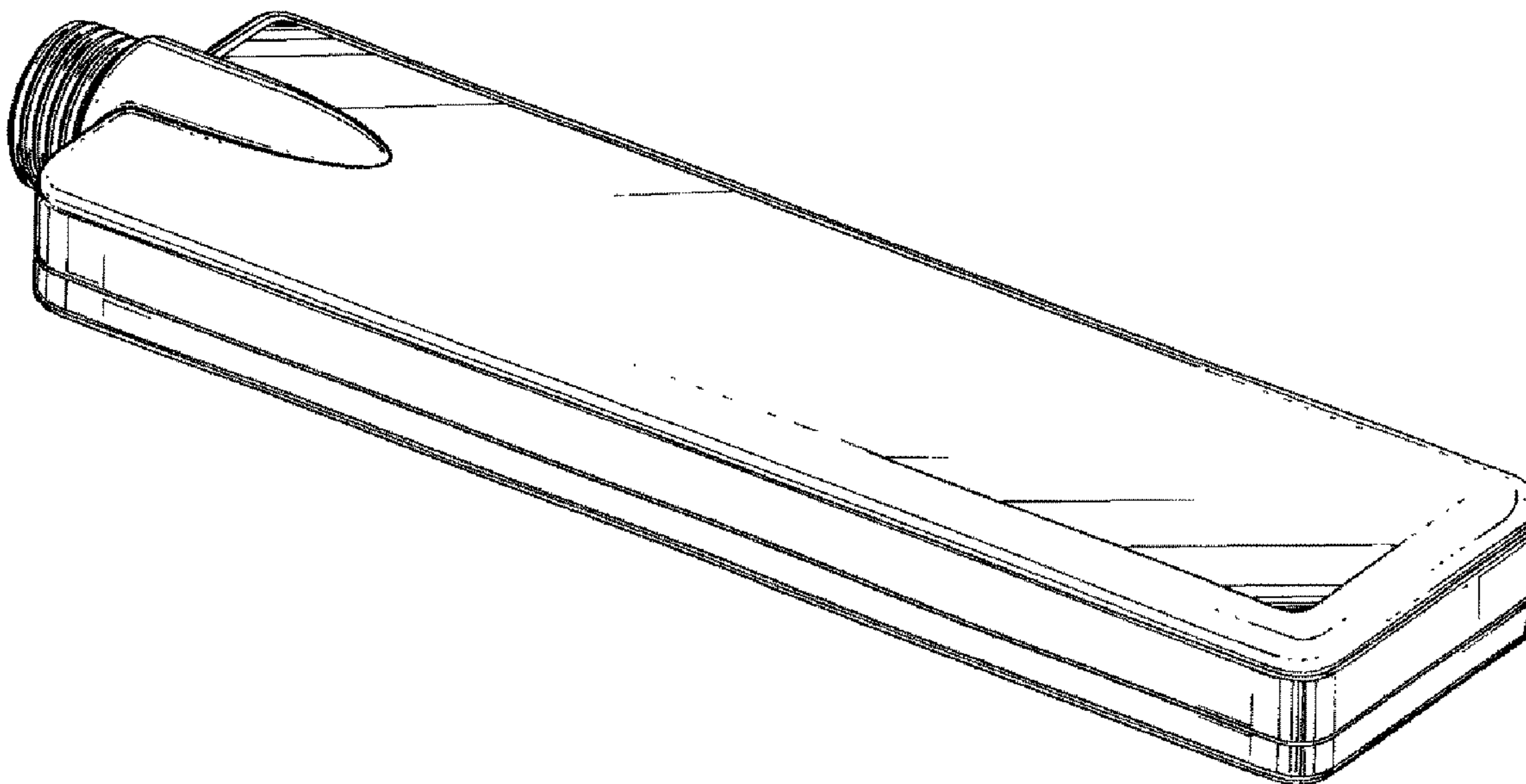
FIG. 4 is a top plan view thereof;

FIG. 5 is a bottom plan view thereof;

FIG. 6 is a rear elevational view thereof; and,

FIG. 7 is a front elevational view thereof.

1 Claim, 5 Drawing Sheets



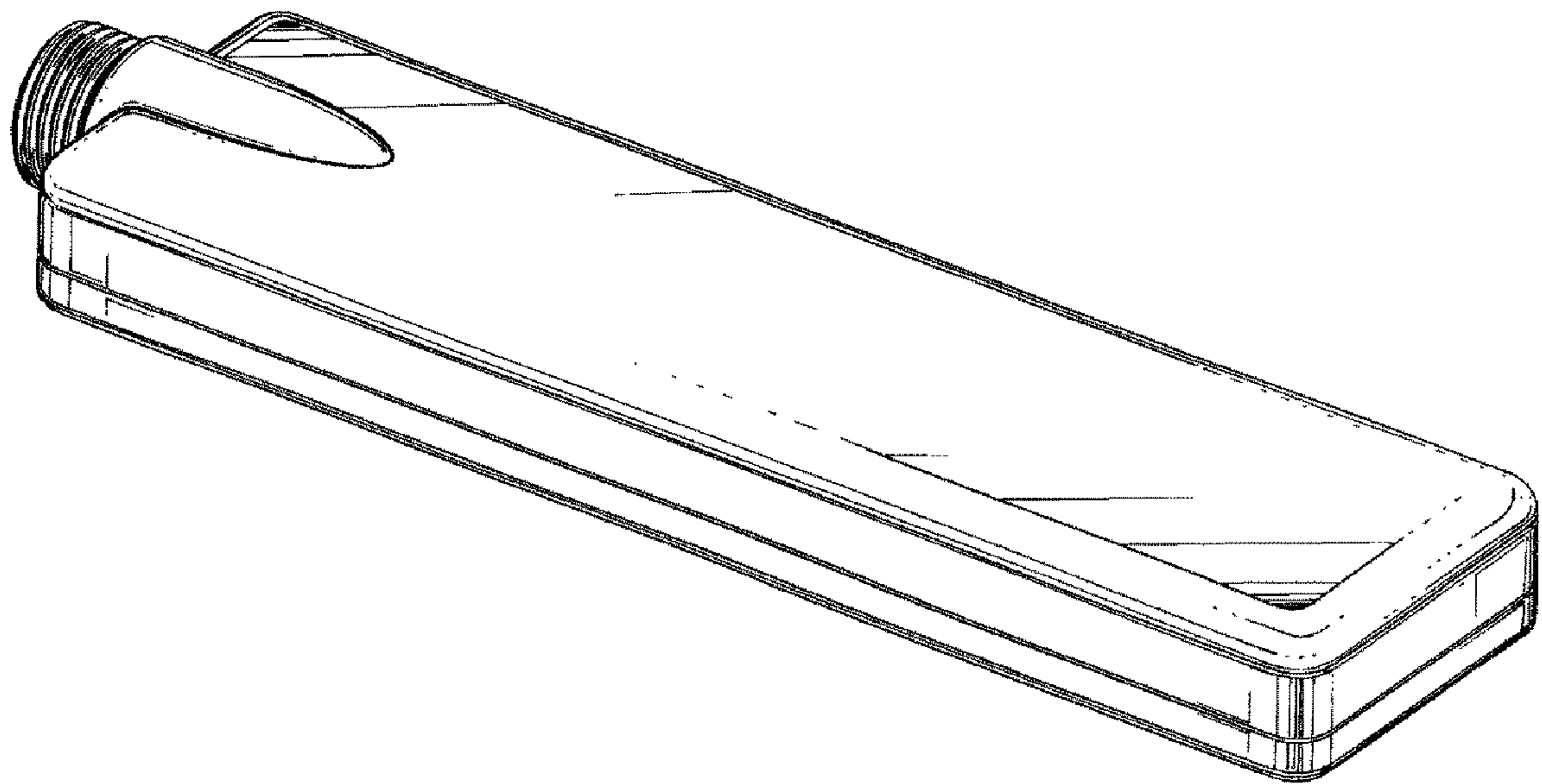


Fig. 1

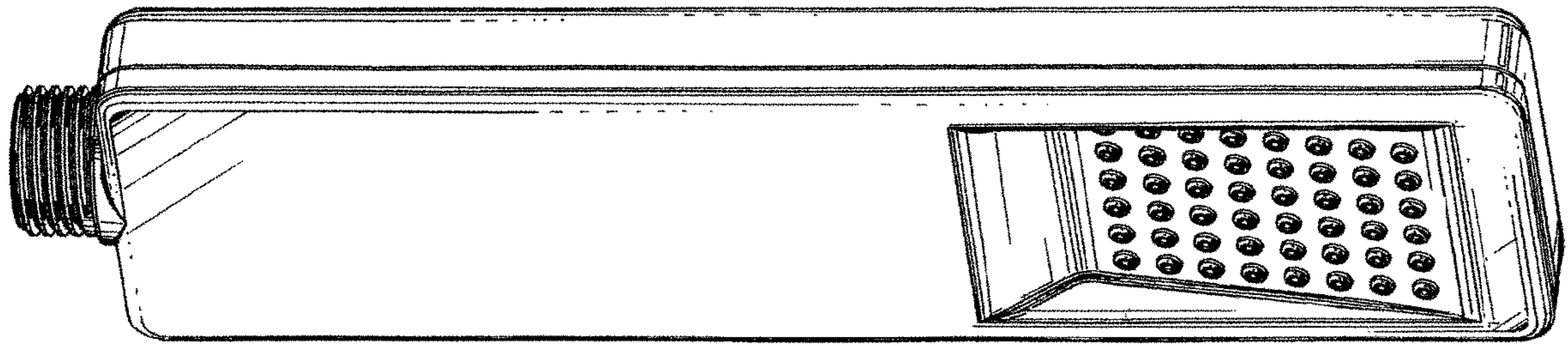


Fig. 2

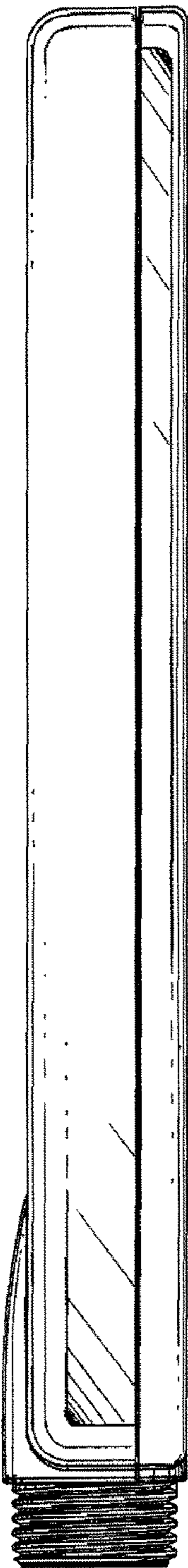


Fig. 3

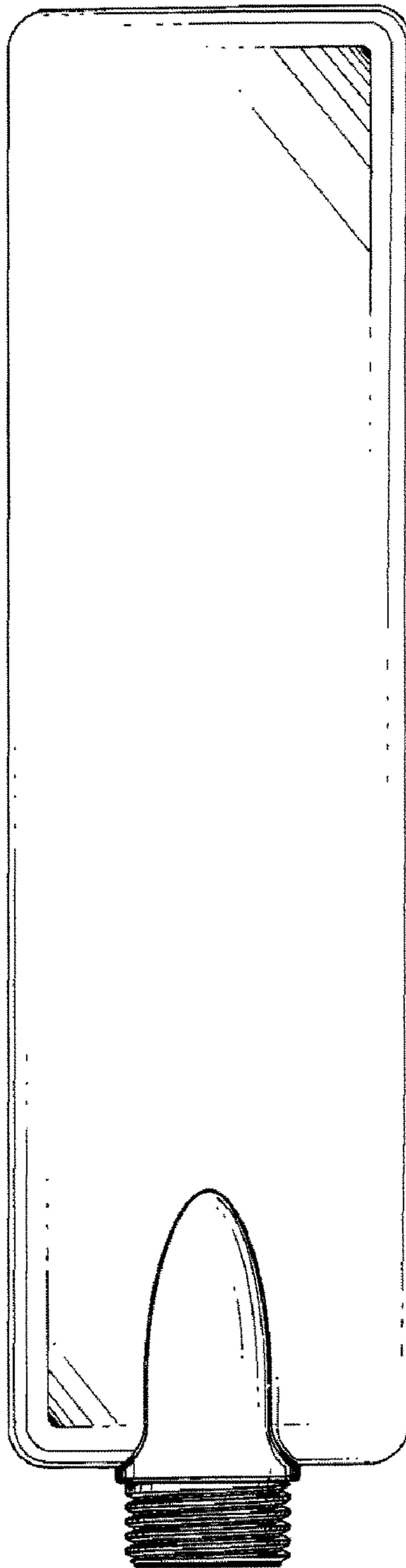


Fig. 4

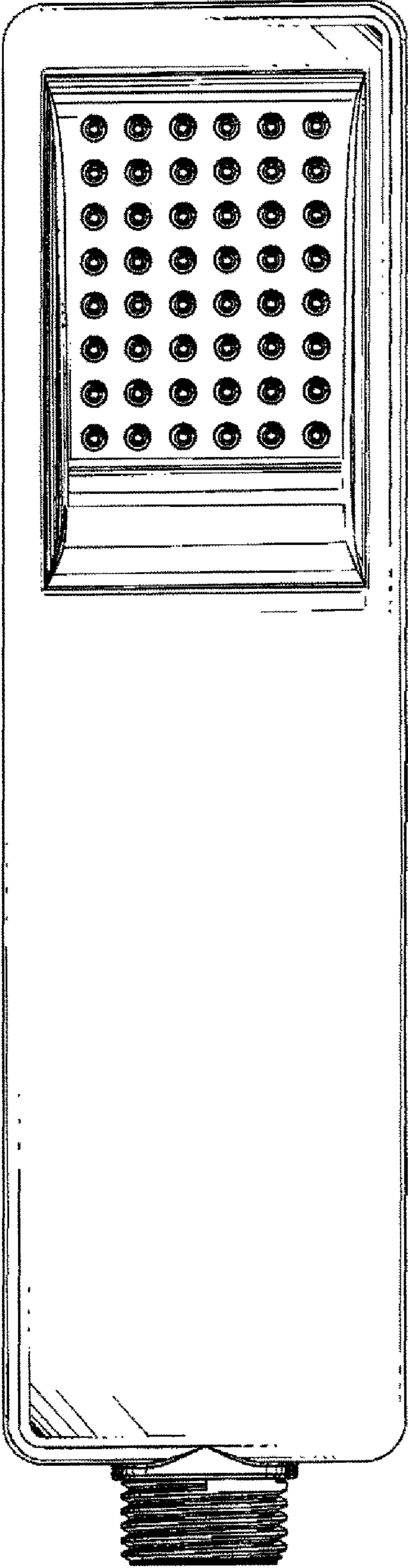


Fig. 5

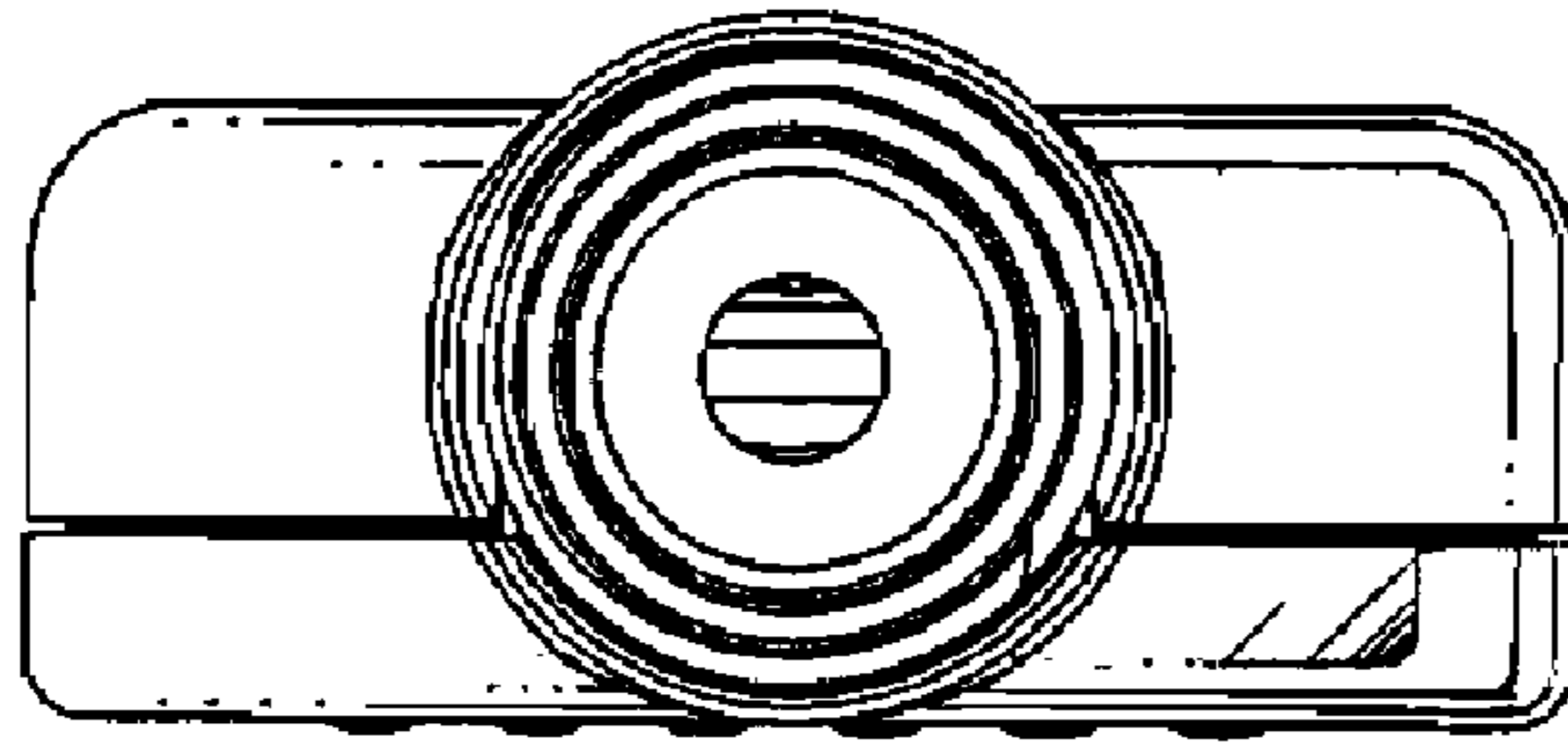


Fig. 6

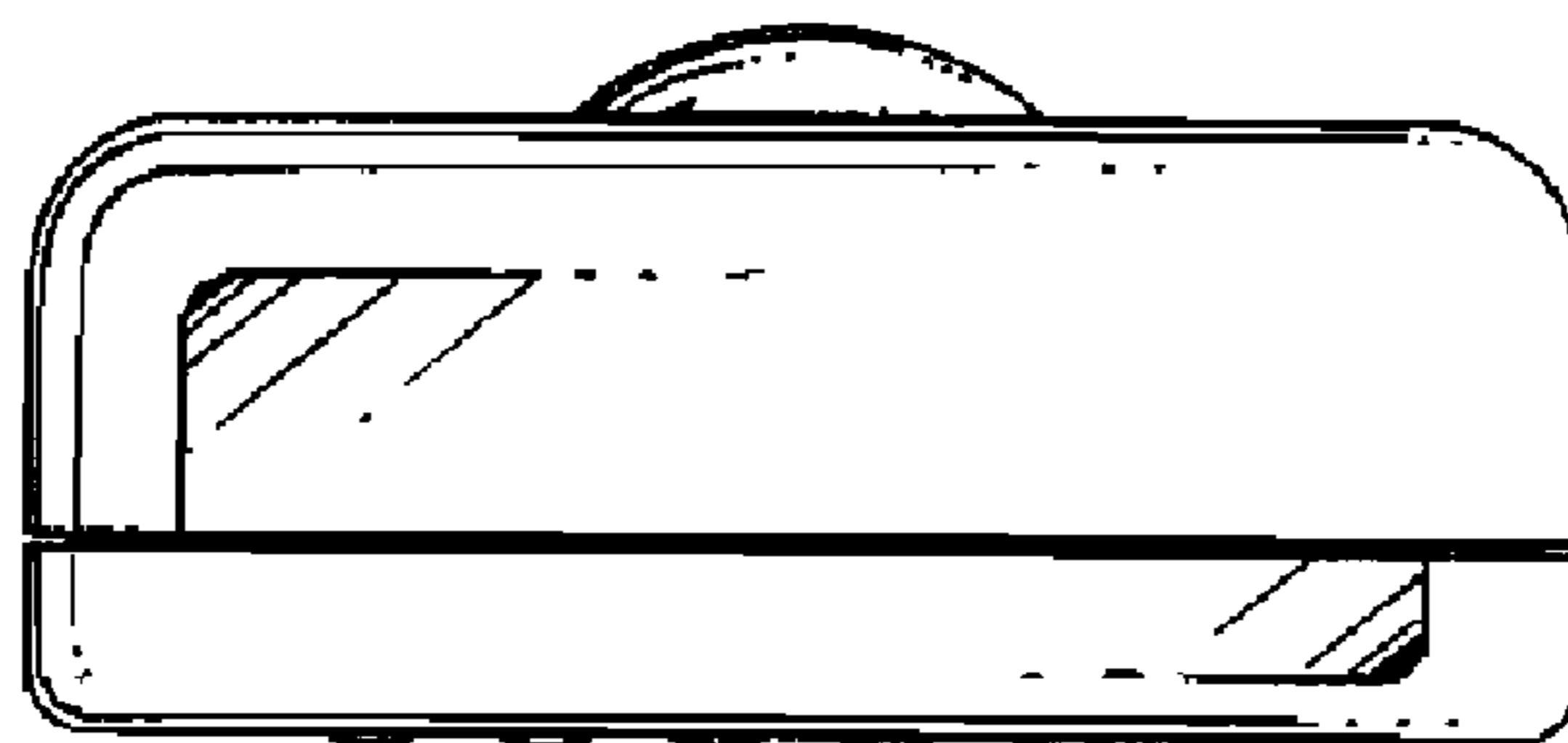


Fig. 7