



US00D594927S

(12) **United States Design Patent**  
**Amtmann**

(10) **Patent No.:** **US D594,927 S**  
(45) **Date of Patent:** **\*\* Jun. 23, 2009**

(54) **FILTER DEVICE**

(75) Inventor: **Till Amtmann**, Bretzenheim (DE)

(73) Assignee: **Siteco GmbH & Co KG**,  
Langenlonsheim (DE)

(\*\*) Term: **14 Years**

(21) Appl. No.: **29/242,031**

(22) Filed: **Nov. 4, 2005**

(30) **Foreign Application Priority Data**

May 6, 2005 (EM) ..... 000 336 821

(51) **LOC (9) Cl.** ..... **23-01**

(52) **U.S. Cl.** ..... **D23/209**

(58) **Field of Classification Search** ..... D23/207,  
D23/209; 210/346-7, 446, 489  
See application file for complete search history.

(56) **References Cited**

**U.S. PATENT DOCUMENTS**

4,058,463 A \* 11/1977 Bartik ..... 210/317  
5,154,827 A \* 10/1992 Ashelin et al. .... 210/490  
5,384,044 A \* 1/1995 Burgess ..... 210/346  
5,979,668 A \* 11/1999 Kane et al. .... 210/446

\* cited by examiner

*Primary Examiner*—Robin V Webster

(74) *Attorney, Agent, or Firm*—Roylance, Abrams, Berdo,  
Goodman, L.L.P.

(57) **CLAIM**

I claim the ornamental design of a filter device, as shown and described.

**DESCRIPTION**

FIG. 1 is a perspective view of the filter device showing my new design;

FIG. 2 is an exploded perspective view shown from the opposite side of FIG. 1;

FIG. 3 is a perspective view of a first internal component thereof;

FIG. 4 is an opposite perspective view of the first internal component of FIG. 3;

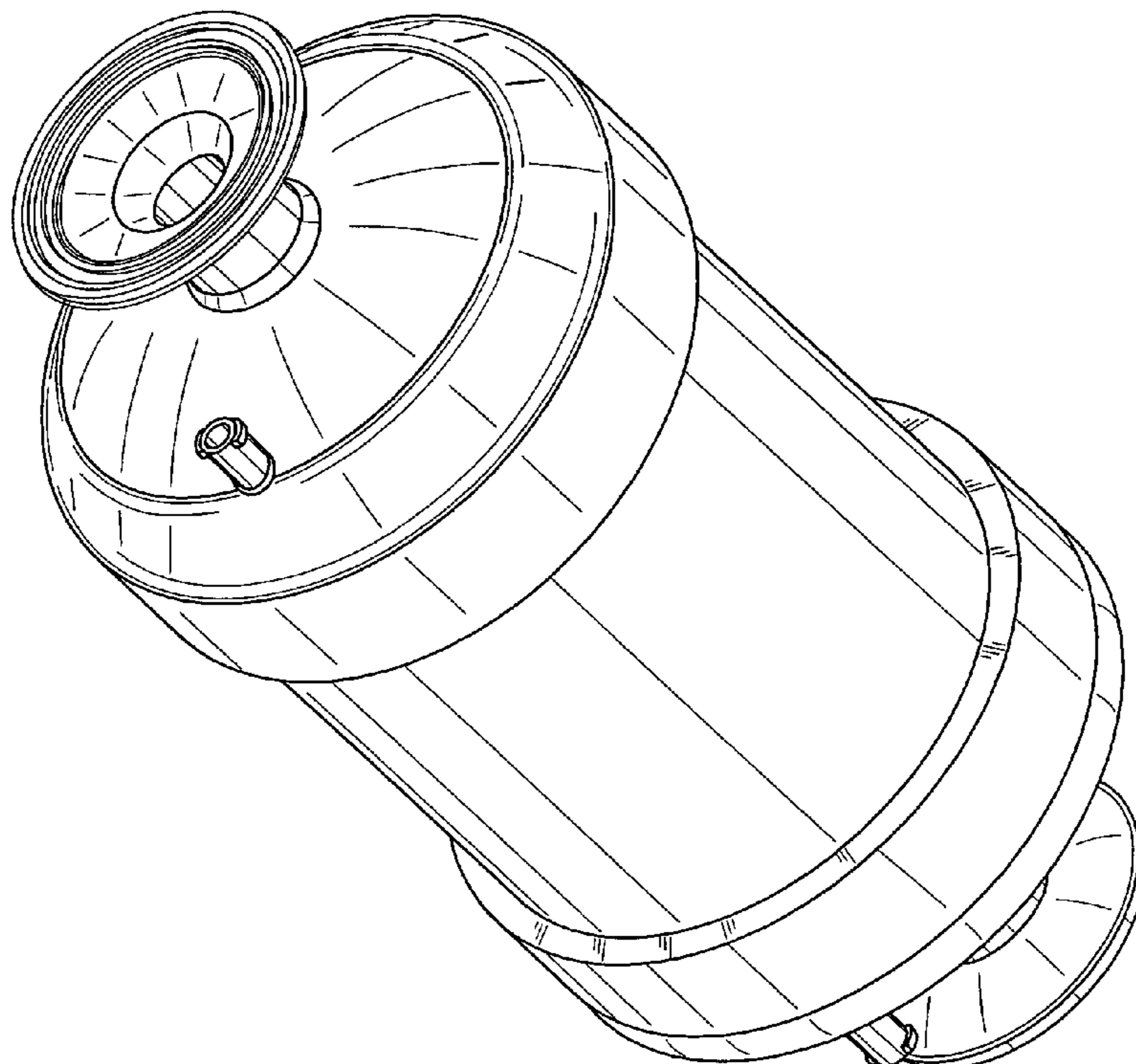
FIG. 5 is a perspective view of a second internal component thereof;

FIG. 6 is an opposite perspective view of the second internal component of FIG. 5; and,

FIG. 7 is a perspective view of a third internal component thereof.

The filter device basically comprises two separable housing portions surrounding disc-shaped filter material held within the housing by the internal components.

**1 Claim, 7 Drawing Sheets**



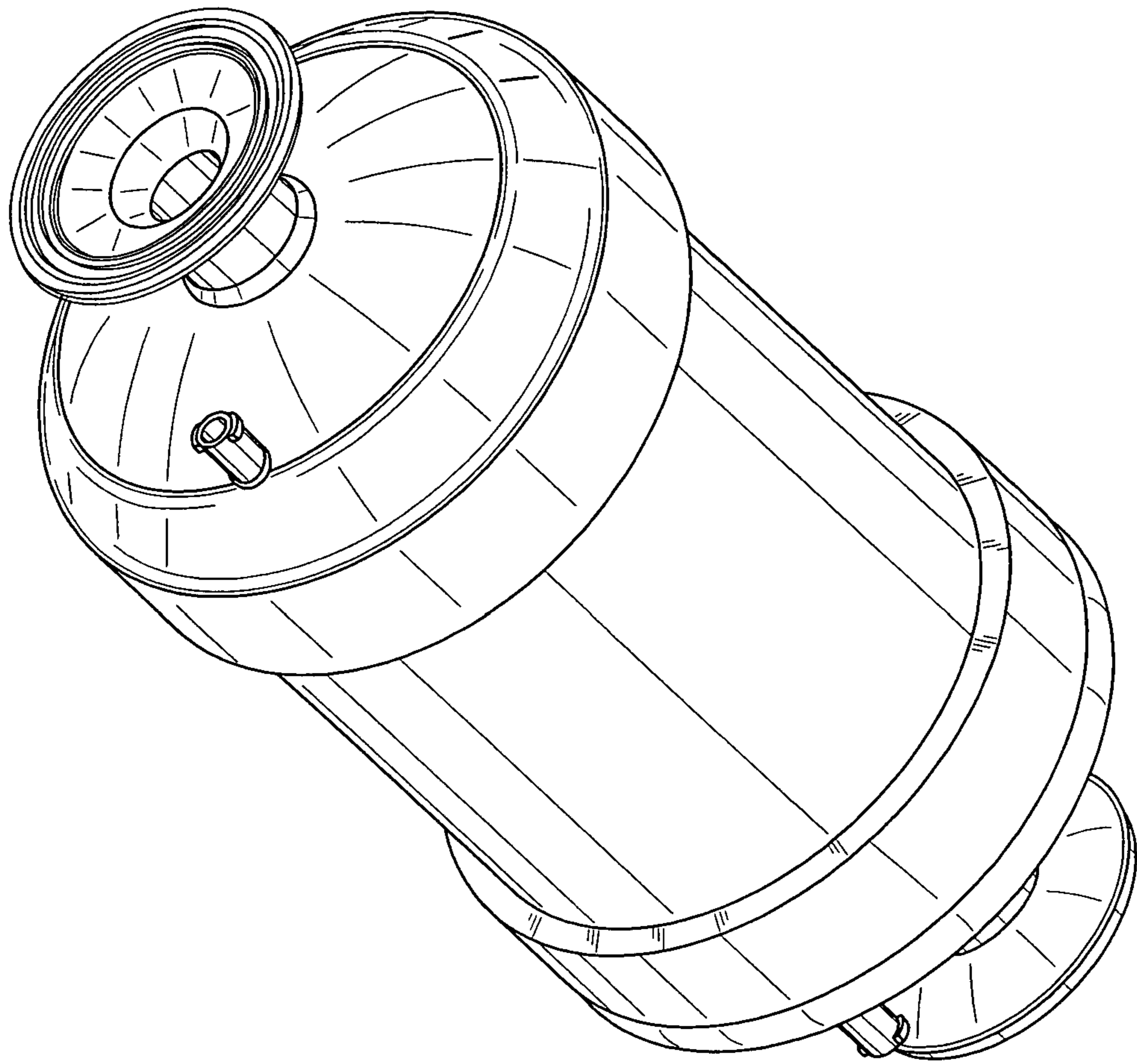


FIG.1

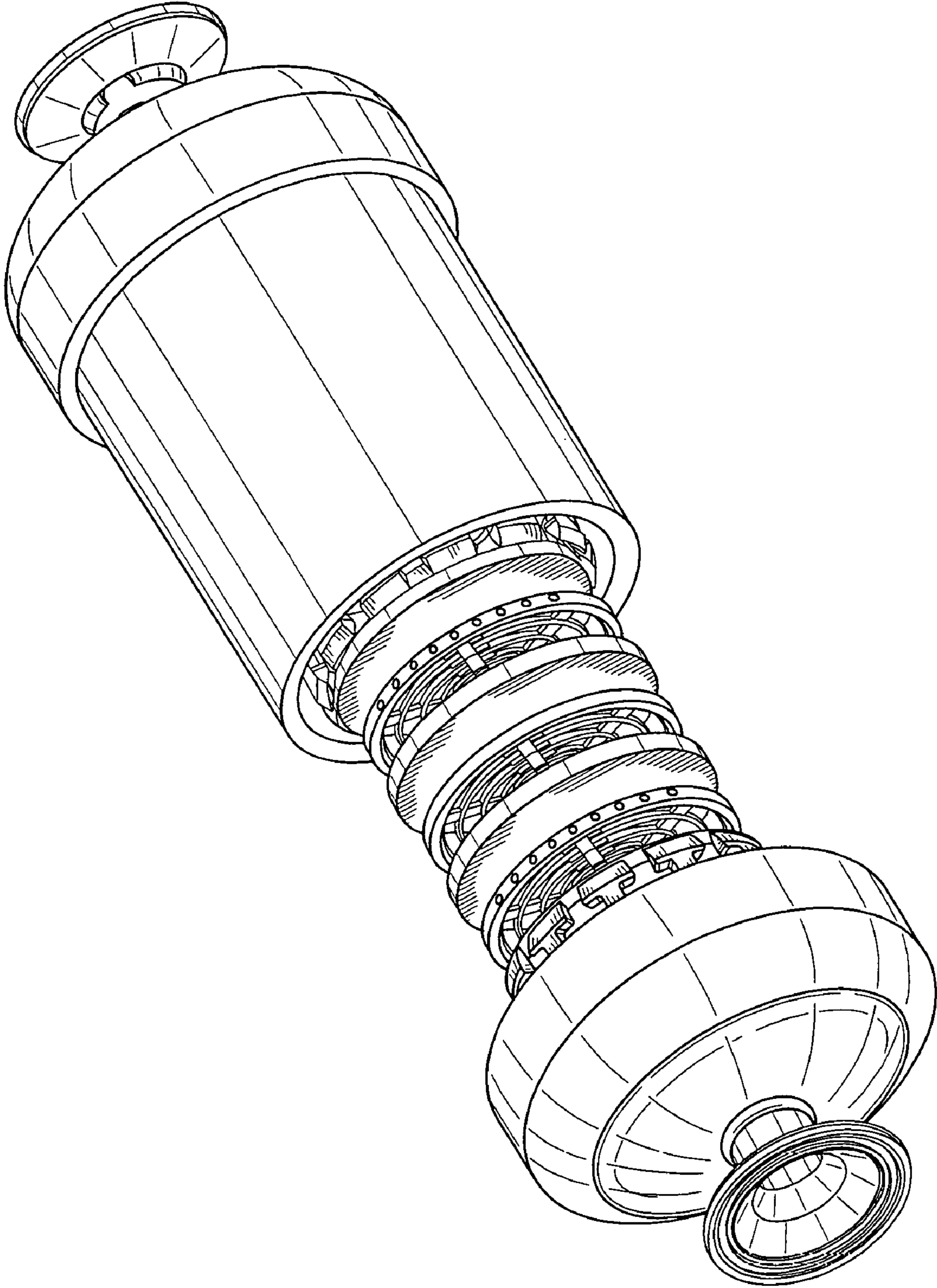


FIG.2



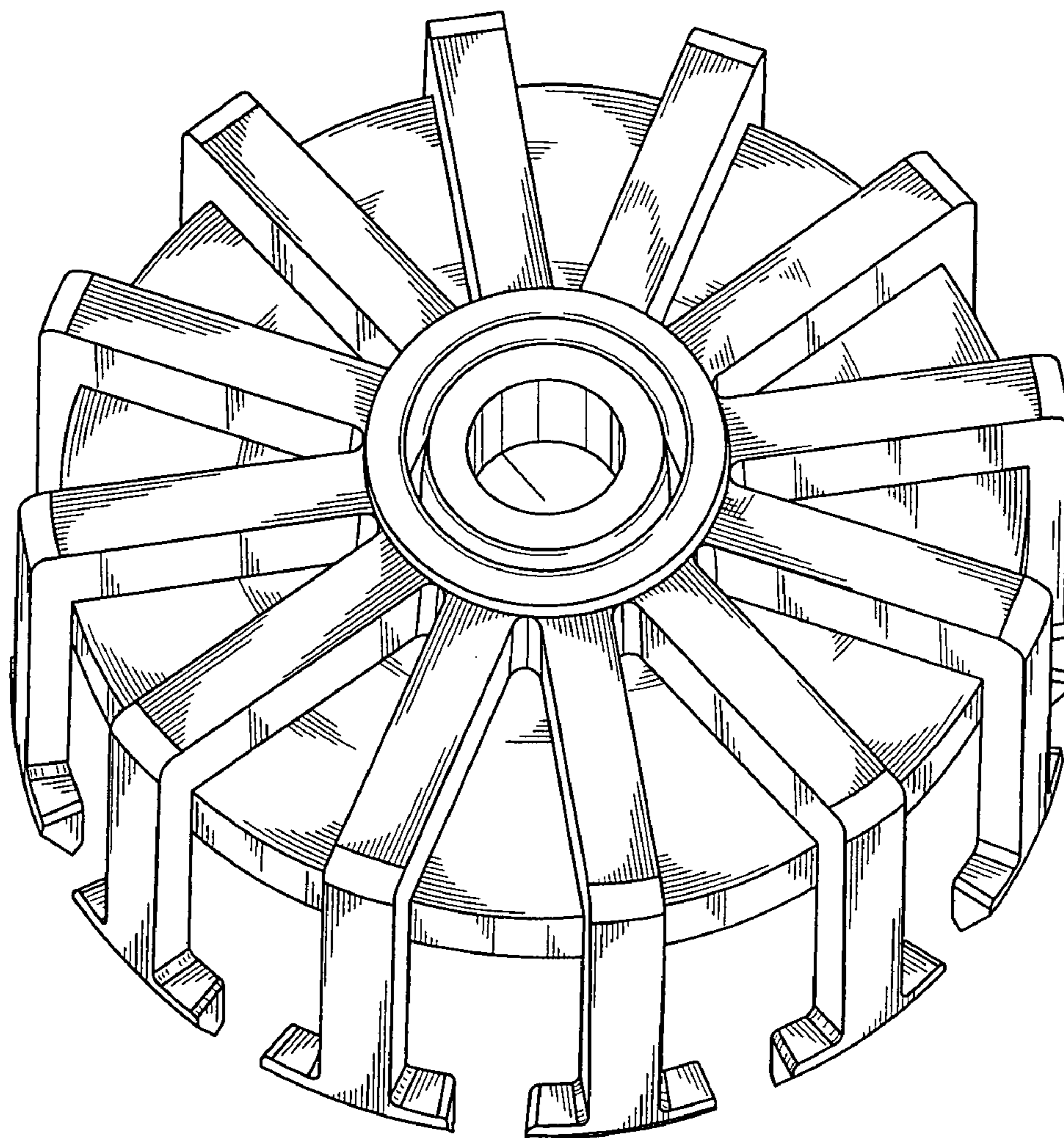


FIG.3

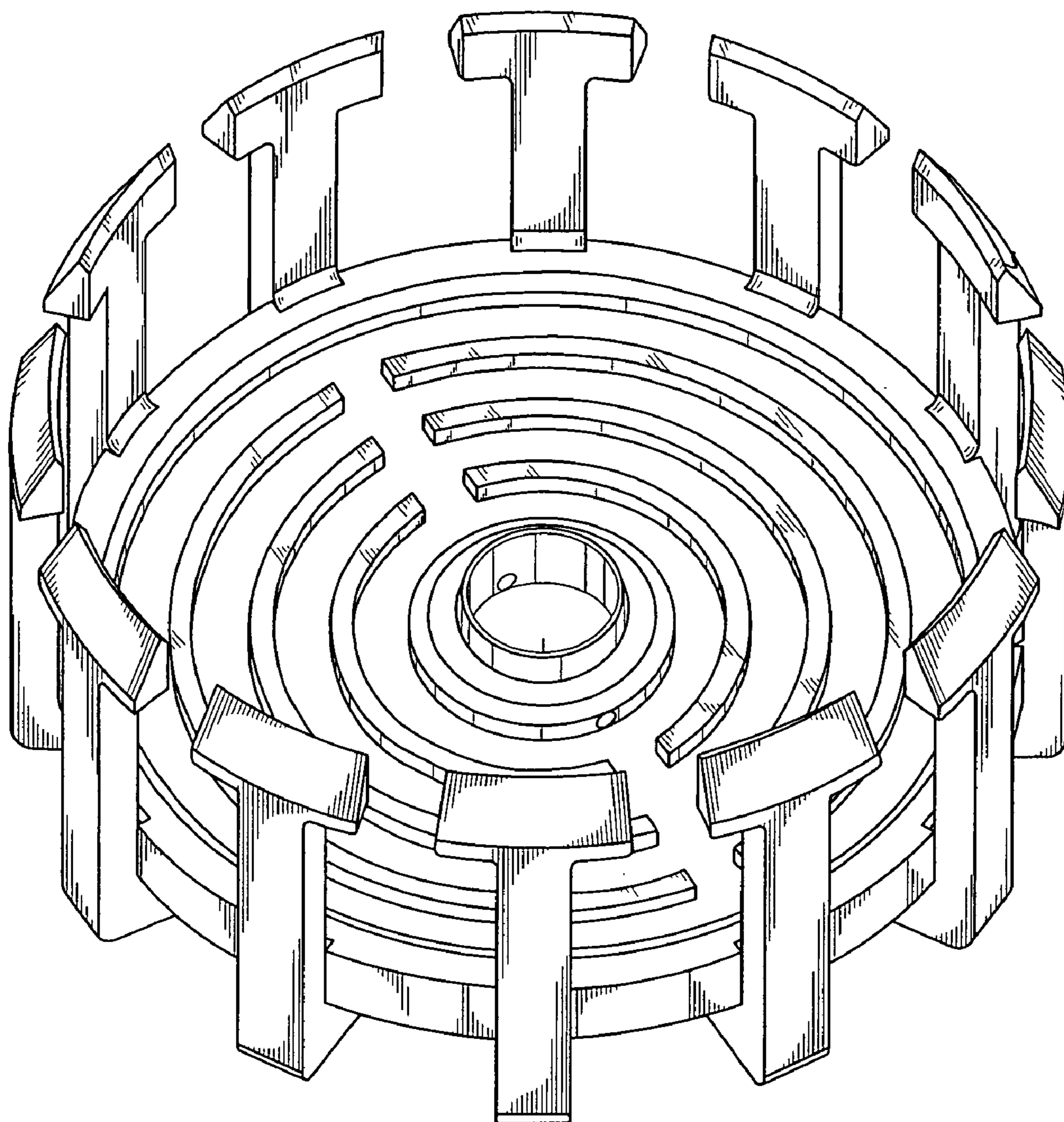


FIG.4

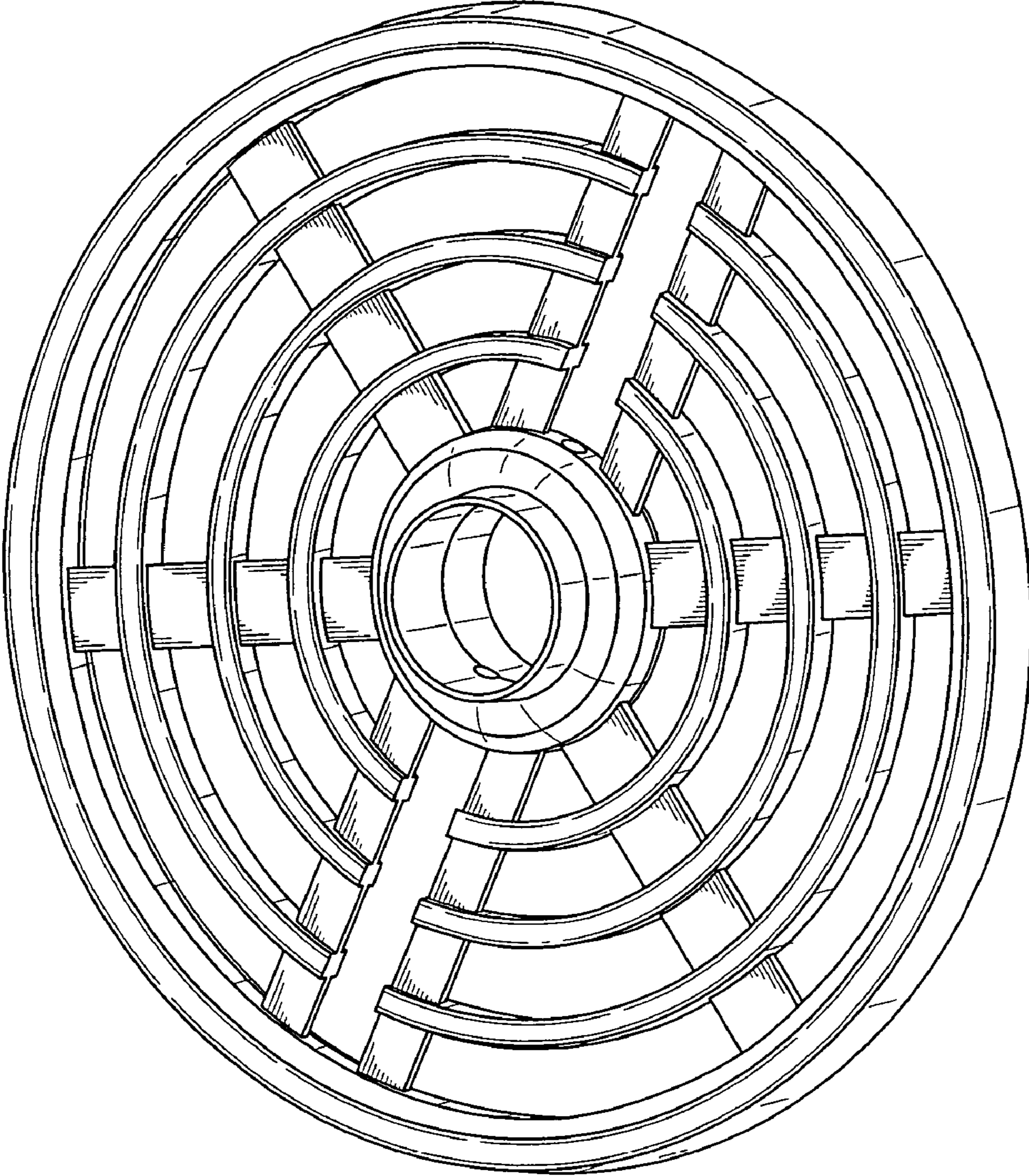


FIG.5



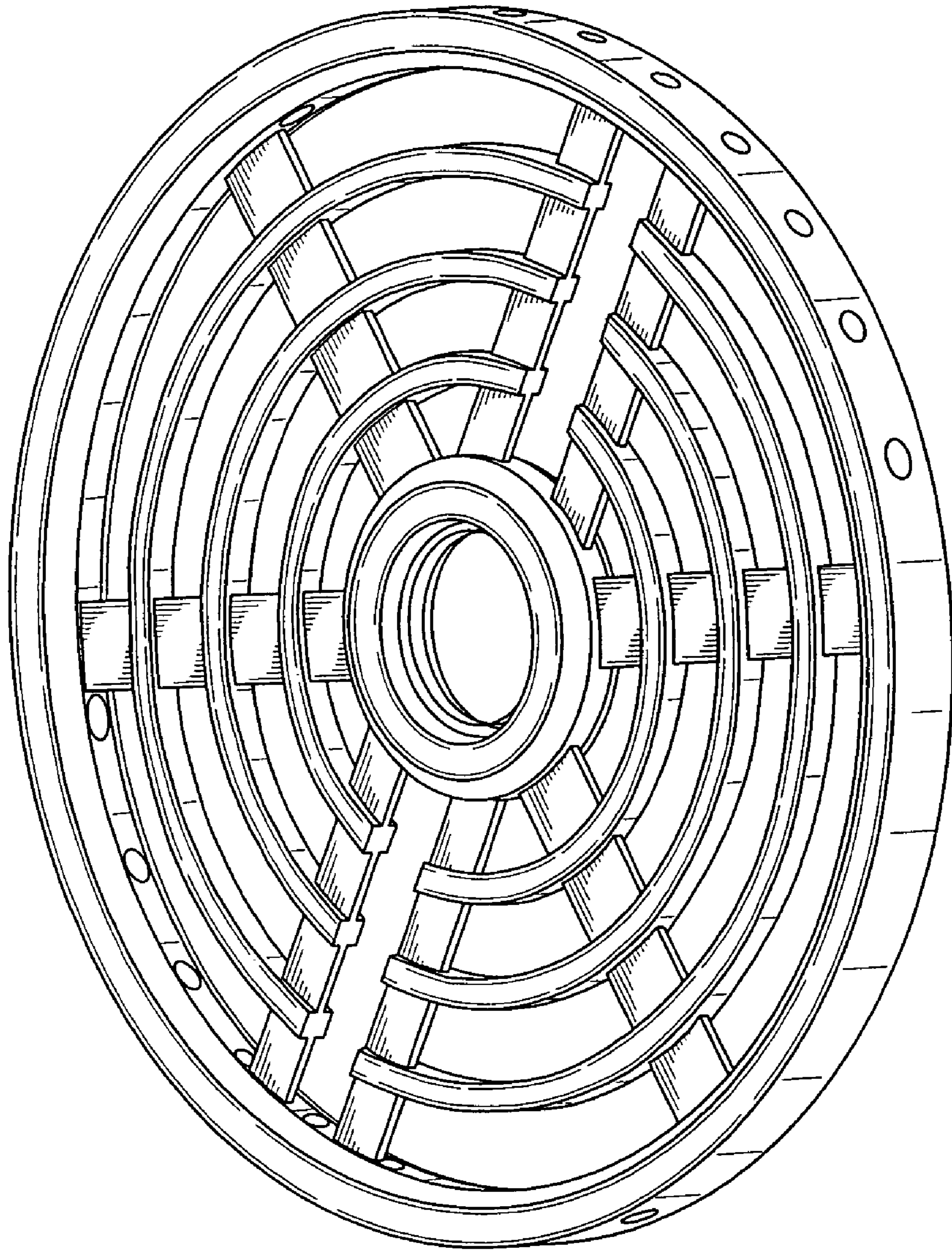


FIG.6

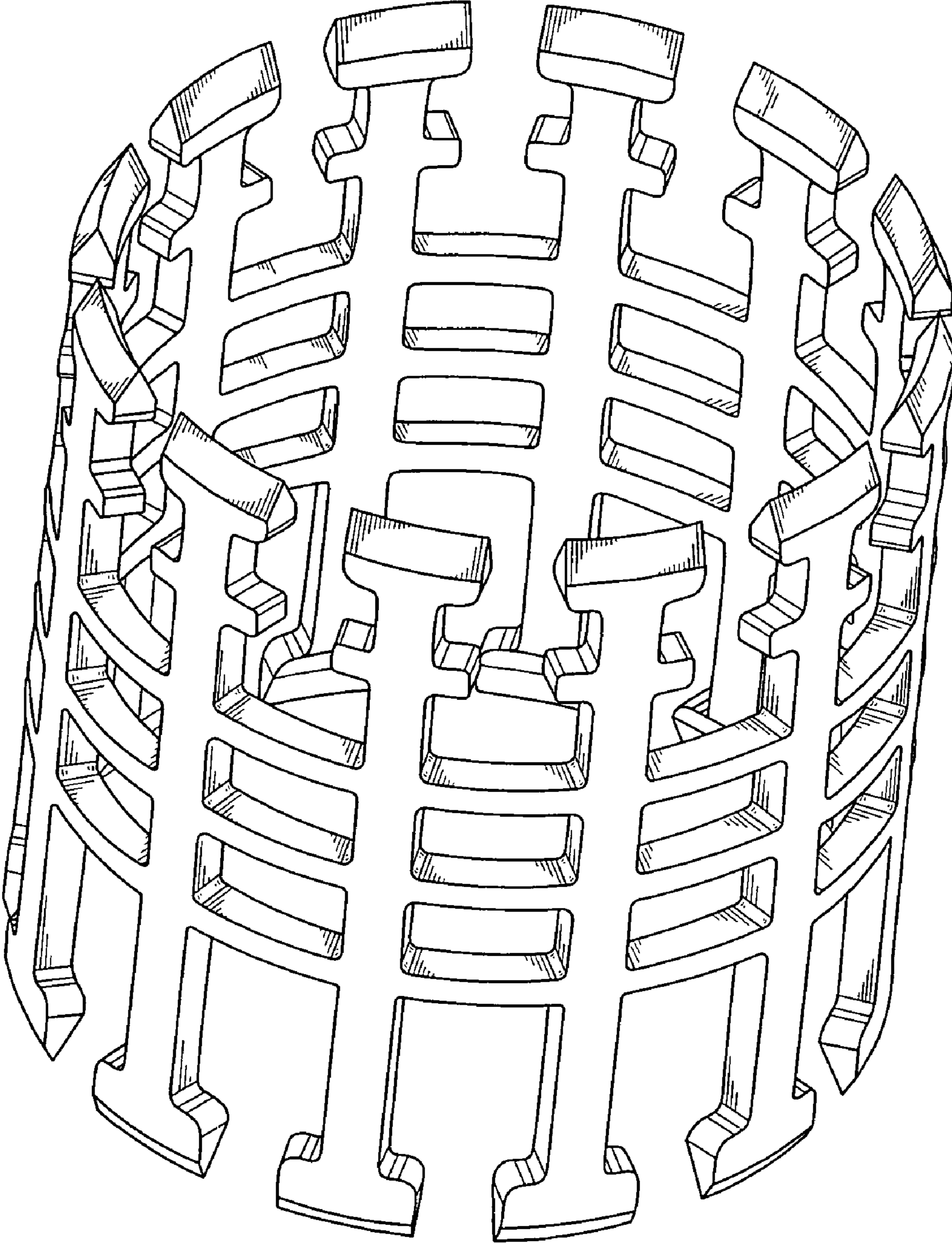


FIG.7