



US00D594925S

(12) **United States Design Patent**
Moody et al.

(10) **Patent No.:** **US D594,925 S**
(45) **Date of Patent:** **** Jun. 23, 2009**

(54) **ACCESSORY RAIL MOUNT FOR VERTICAL FOREGRIP**

(75) Inventors: **Joseph R. Moody**, Jacksonville, FL (US); **Joseph D. Gaddini**, Evans, GA (US)

(73) Assignee: **Grip Pod Systems, LLC**, Jacksonville, FL (US)

(**) Term: **14 Years**

(21) Appl. No.: **29/296,039**

(22) Filed: **Oct. 12, 2007**

Related U.S. Application Data

(63) Continuation-in-part of application No. 11/652,337, filed on Jan. 11, 2007, which is a continuation-in-part of application No. 11/485,762, filed on Jul. 13, 2006, now Pat. No. 7,490,429, which is a continuation-in-part of application No. 10/725,082, filed on Dec. 2, 2003, now Pat. No. 7,111,424.

(51) **LOC (9) Cl.** **22-01**

(52) **U.S. Cl.** **D22/109**

(58) **Field of Classification Search** D22/100, D22/108, 109, 110, 199; 42/11, 113, 116, 42/119, 124, 125, 127, 90, 145, 128, 72, 42/106, 114, 85, 75.02, 71.01; 124/205.1, 124/201

See application file for complete search history.

(56) **References Cited**

U.S. PATENT DOCUMENTS

271,251 A 1/1883 Leerbech et al.

(Continued)

OTHER PUBLICATIONS

Denis H.R. Archer, M.A., *Jane's Infantry Weapons*, (1976) pp. 1-3.

Brugger & Thomet Unipod, Forward grip with retractable bipod, [online] DSA Inc. Systems Second to None, DSA Order Center, 1 page, [Retrieved on Oct. 18, 2006]. Retrieved from: <http://www.dsarms.com/item-detail.cfm?ID=BT21830A&storeid=1&image=bt21830A.gif>.

Primary Examiner—T. Chase Nelson

Assistant Examiner—Michael A Pratt

(74) *Attorney, Agent, or Firm*—Brian S. Steinberger; Law Offices of Brian S. Steinberger, P.A.

(57) **CLAIM**

The ornamental design for accessory rail mount for vertical foregrip, as shown and described.

DESCRIPTION

FIG. 1 is an upper front left Perspective of a accessory rail mount for vertical foregrip.

FIG. 2 is an upper front right perspective view of the design of FIG. 1.

FIG. 3 is an upper rear right perspective view of the design of FIG. 1.

FIG. 4 is an upper rear left perspective view of the design of FIG. 1.

FIG. 5 is a lower front left perspective view of the design of FIG. 1.

FIG. 6 is a lower front right perspective view of the design of FIG. 1.

FIG. 7 is a front elevation view of the design of FIG. 1.

FIG. 8 is a rear elevation view of the design of FIG. 1.

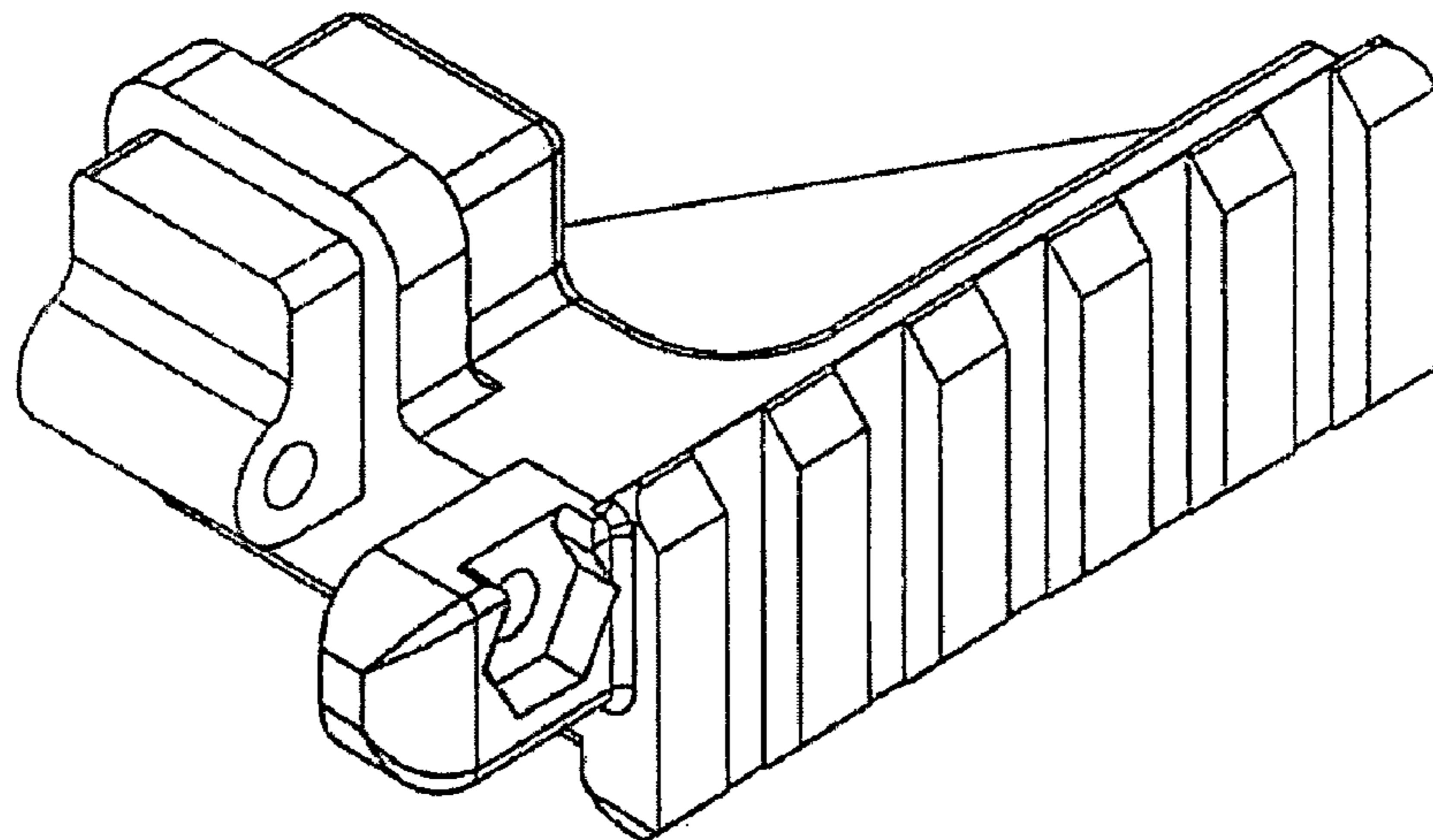
FIG. 9 is a top plan view of the design of FIG. 1.

FIG. 10 is a bottom plan view of the design of FIG. 1.

FIG. 11 is a left side elevation view of the design of FIG. 1; and,

FIG. 12 is a right side elevation view of the design of FIG. 1.

1 Claim, 6 Drawing Sheets



US D594,925 S

Page 2

U.S. PATENT DOCUMENTS									
579,529	A	1/1897	Stephens	D265,920	S *	8/1982	Bechtel	D22/109
721,425	A	2/1903	Clyde	4,545,660	A	10/1985	Rudolf		
1,295,688	A	2/1919	Butler	5,345,706	A	9/1994	Brown		
1,355,660	A	10/1920	Farquhar et al.	5,384,609	A	1/1995	Ogawa et al.		
1,382,409	A	6/1921	Butler	5,438,786	A	8/1995	Hilderbrand		
1,580,406	A	4/1926	Browning	6,289,622	B1	9/2001	Desch, Jr. et al.		
2,386,802	A	10/1945	Johnson	6,487,807	B1	12/2002	Kopman et al.		
2,420,267	A	5/1947	Sefried	D556,290	S *	11/2007	Swan	D22/109
2,436,349	A	2/1948	Adams	2004/0103577	A1 *	6/2004	Compton	42/85
2,489,283	A	11/1949	Garand	2005/0229465	A1 *	10/2005	Dextraze	42/85
2,763,456	A	9/1956	Breer	2005/0241206	A1	11/2005	Teetzel et al.		
3,235,997	A	2/1966	Stoner	2007/0199225	A1 *	8/2007	Haugen	42/85
3,632,073	A	1/1972	Nakatani	2007/0271834	A1 *	11/2007	Keng	42/124
4,121,799	A	10/1978	Michio	2008/0072471	A1 *	3/2008	Keng	42/124

* cited by examiner

FIG. 1

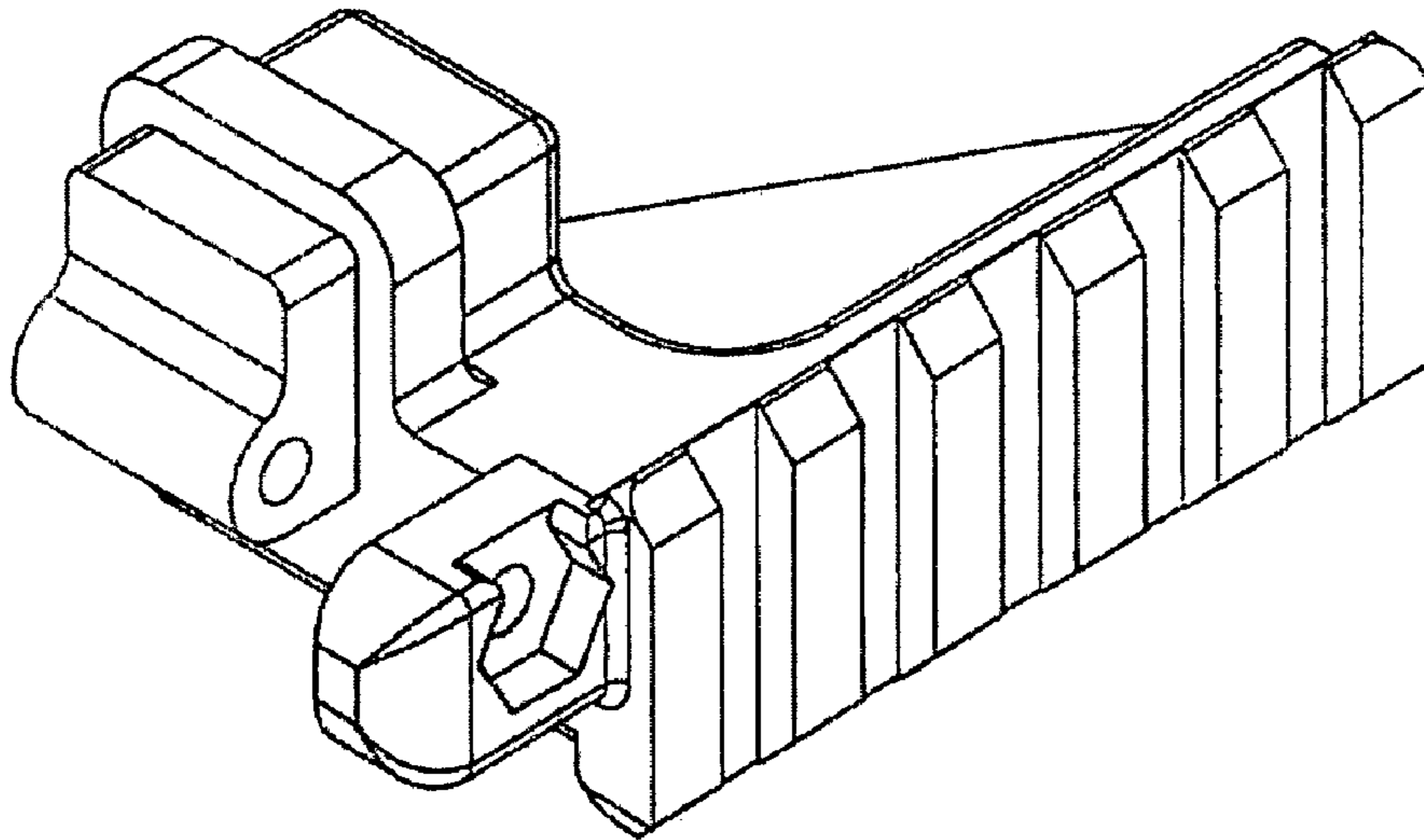


FIG. 2

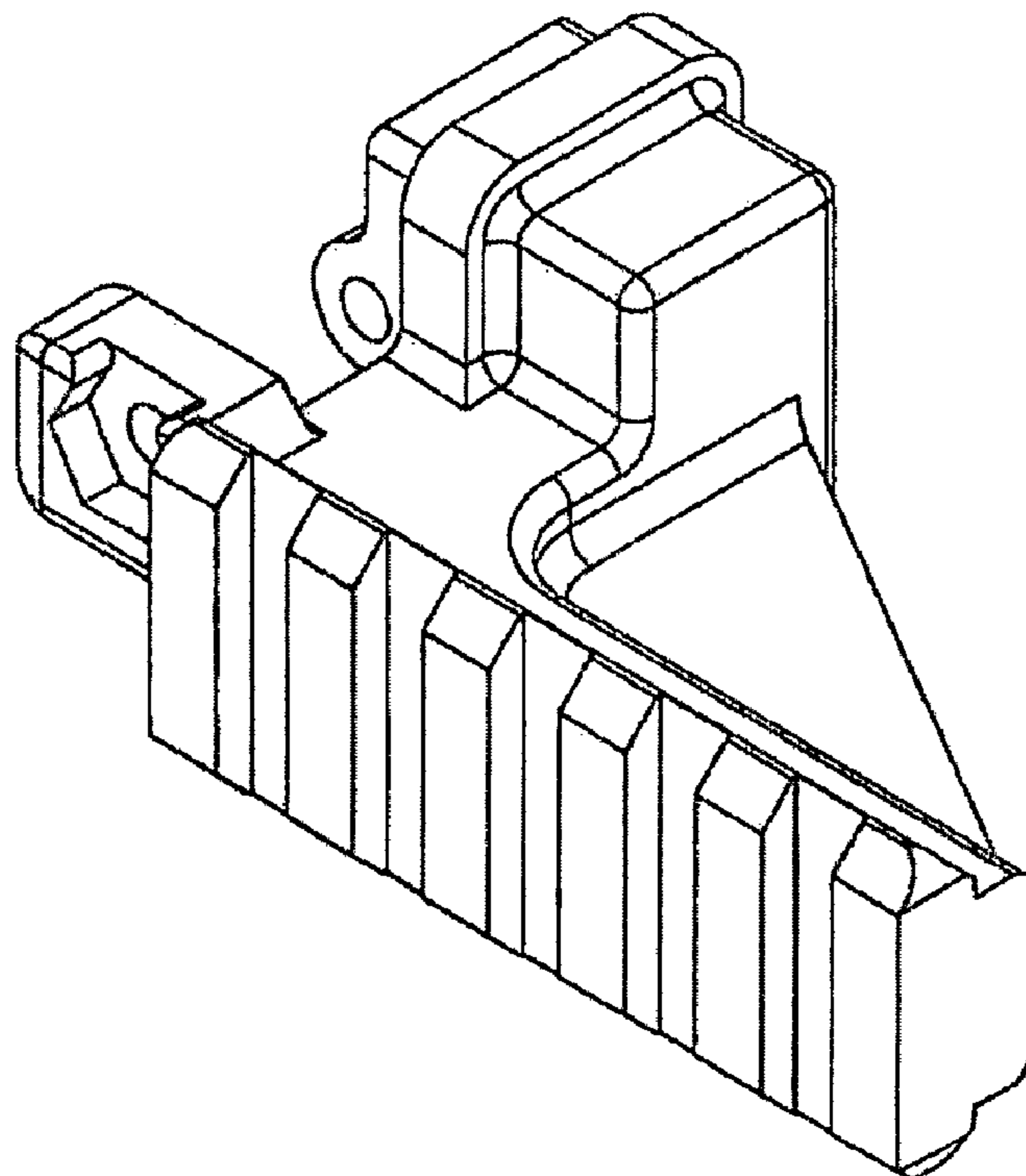


FIG. 3

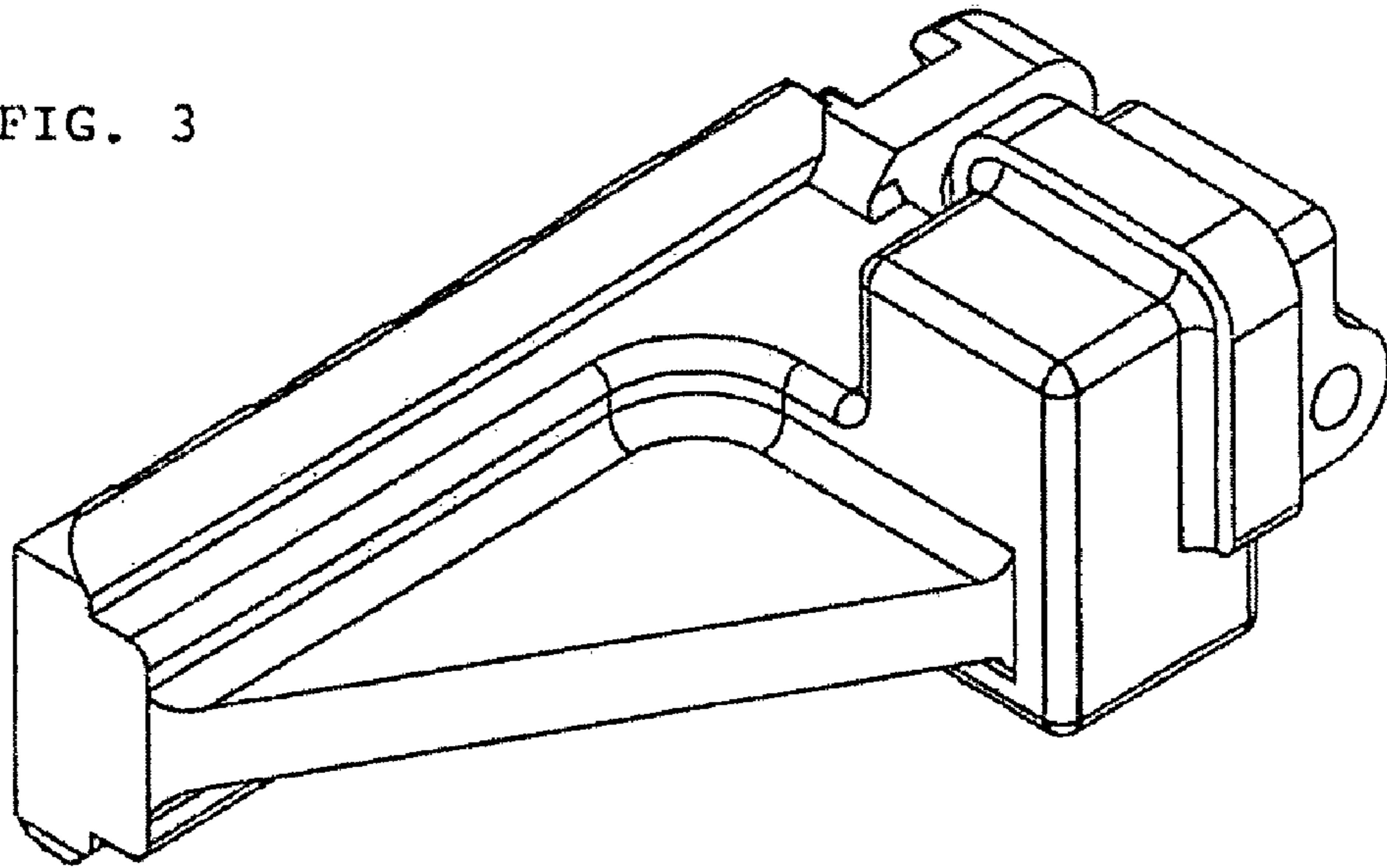


FIG. 4

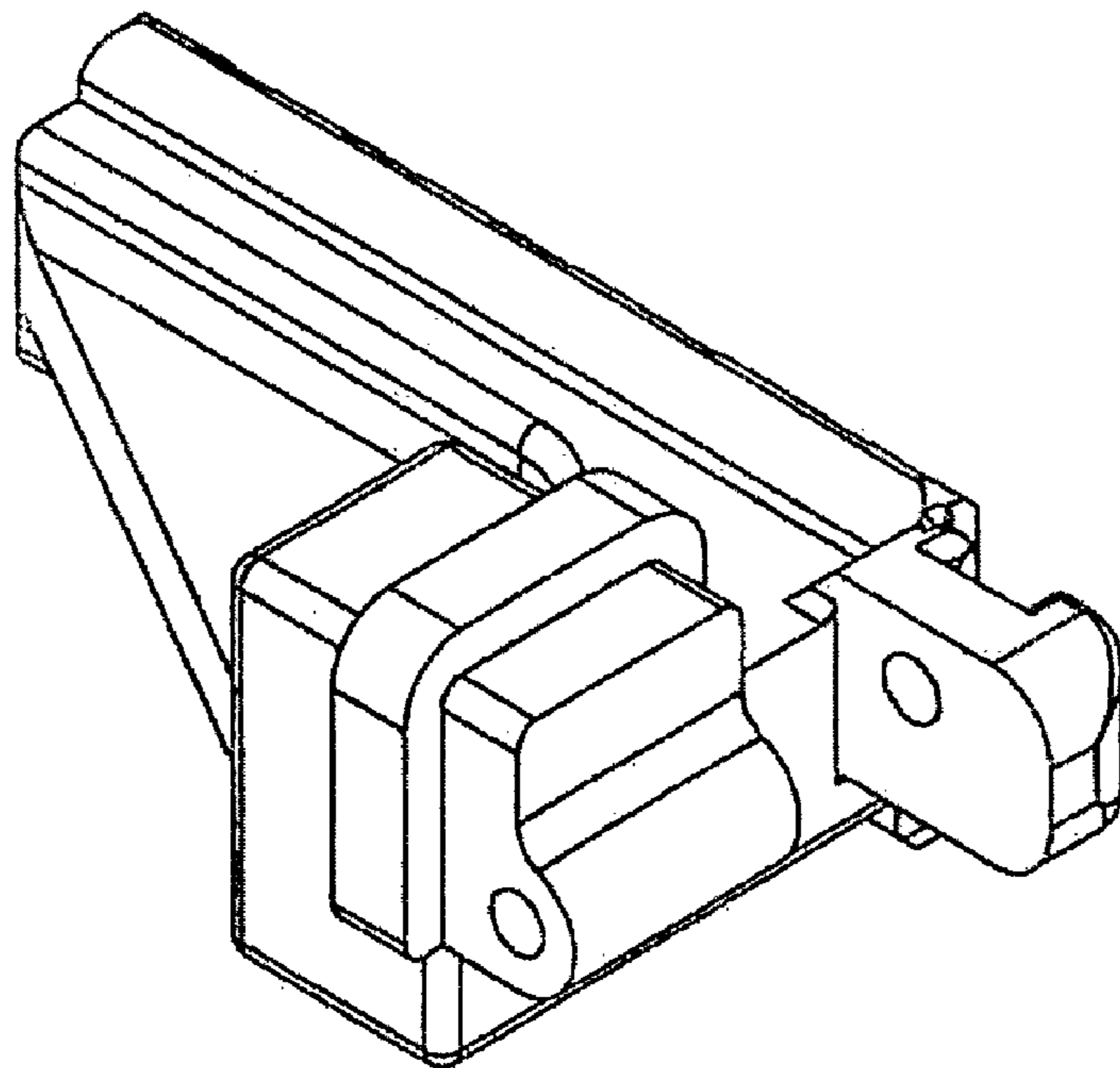


FIG. 5

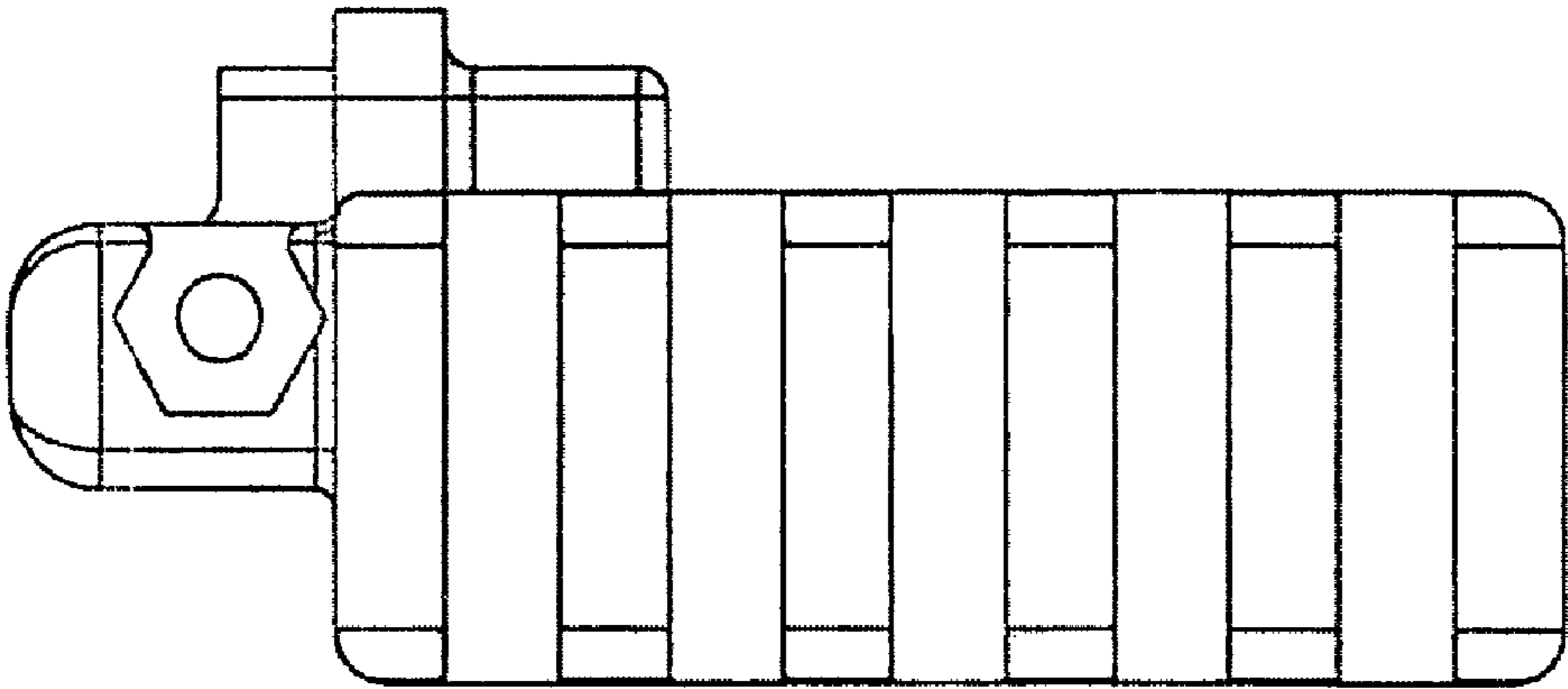
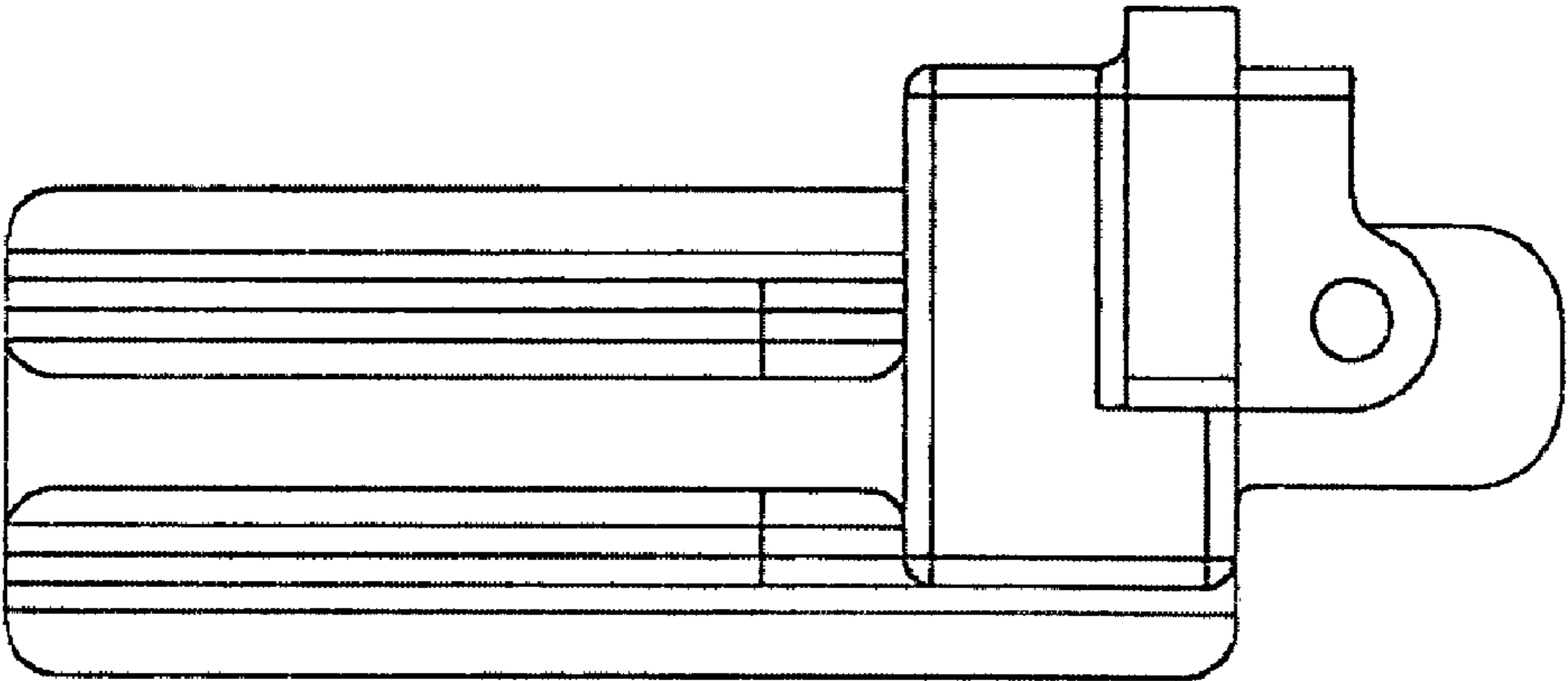


FIG. 6



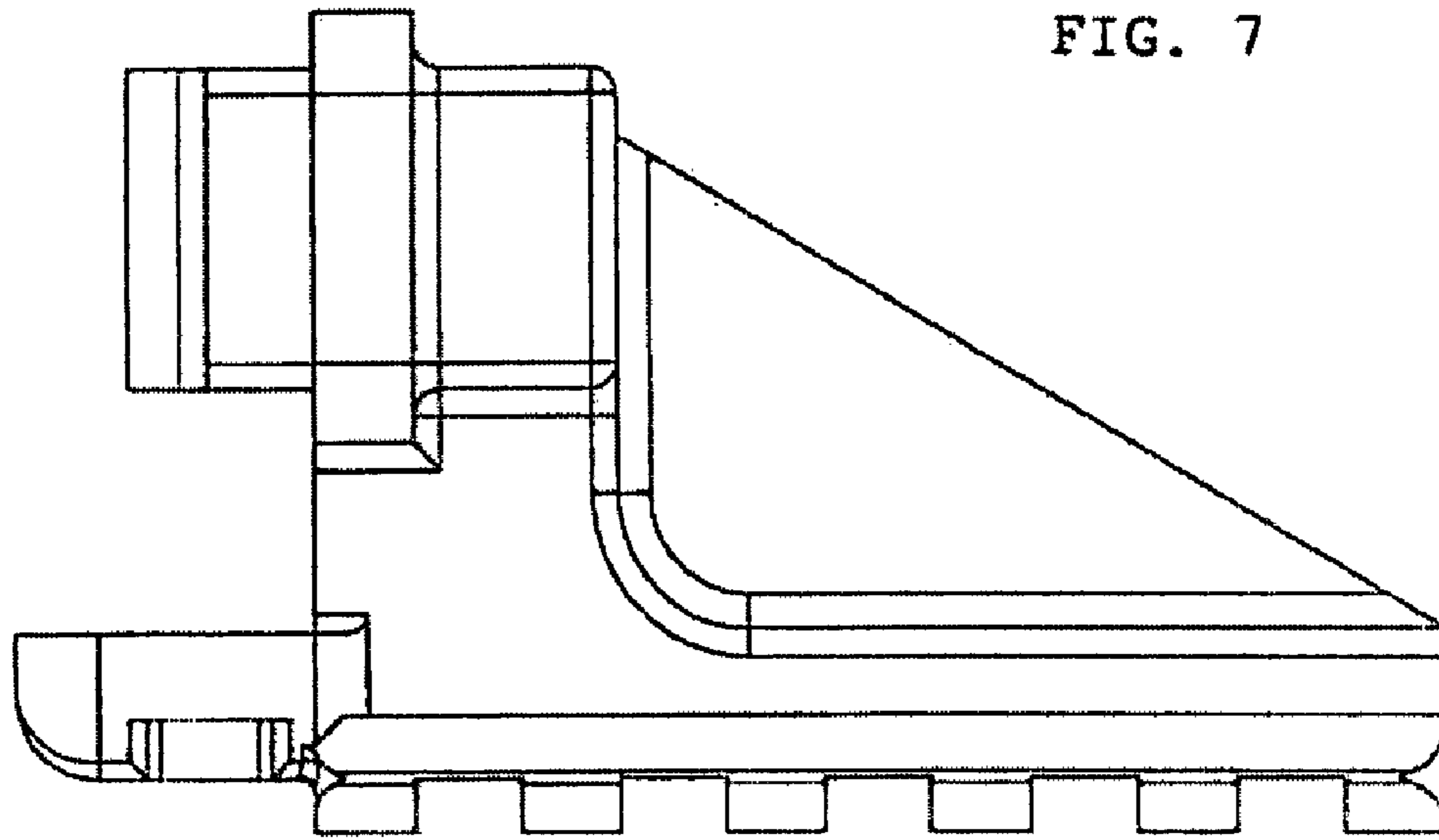


FIG. 7

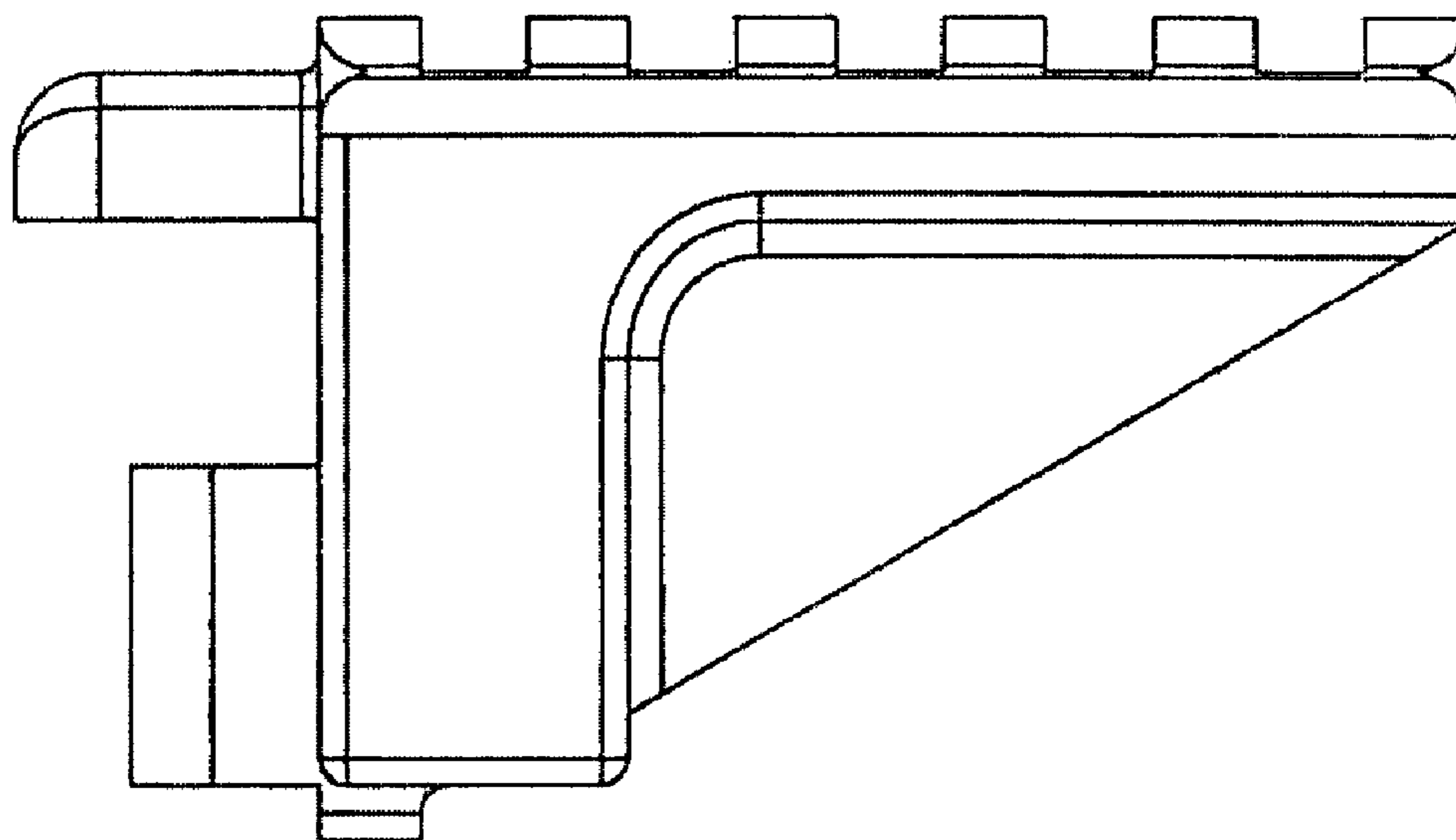


FIG. 8

FIG. 9

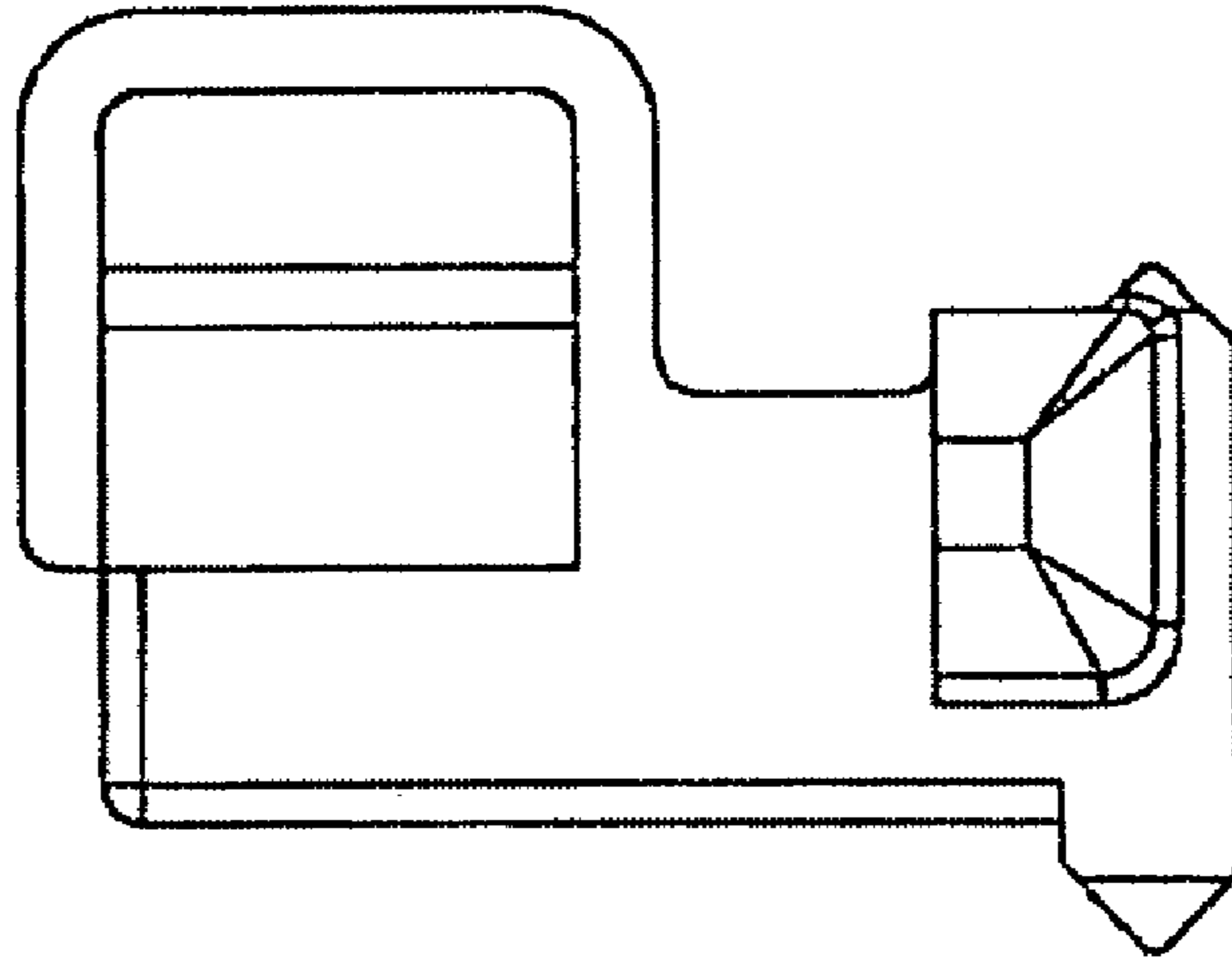


FIG. 10

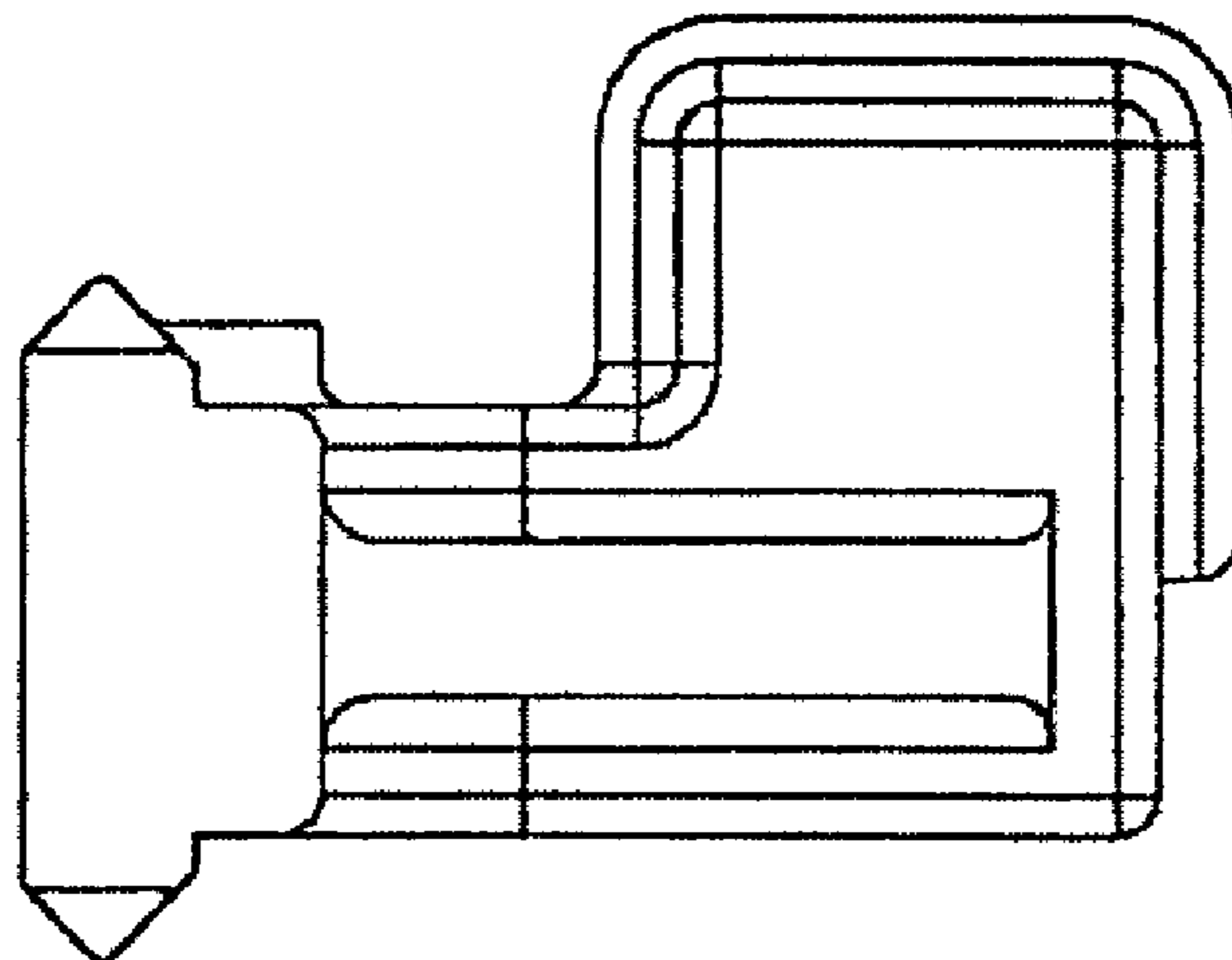


FIG. 11

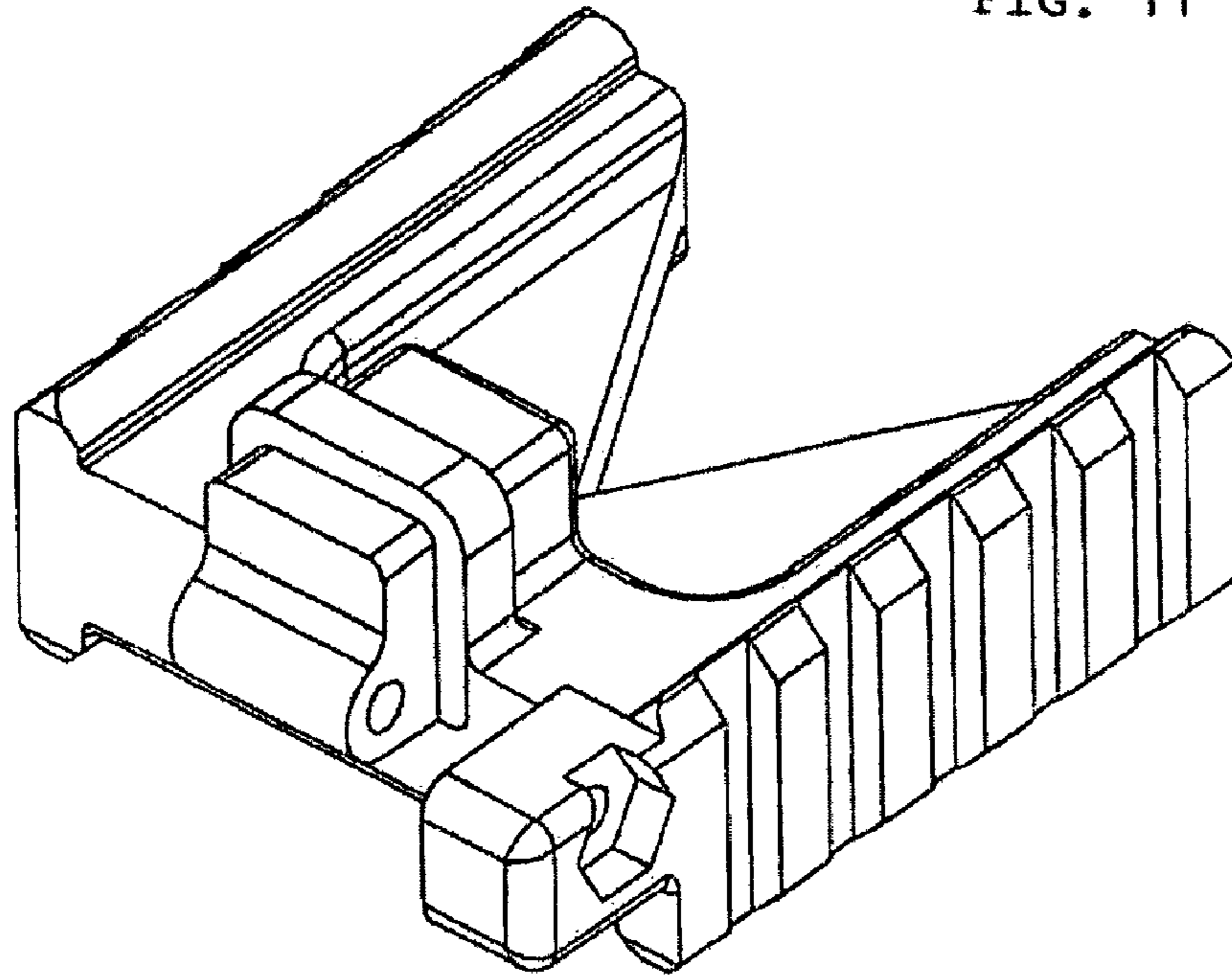


FIG. 12

