



US00D594924S

(12) **United States Design Patent**  
**Pflaumer et al.**

(10) **Patent No.:** **US D594,924 S**

(45) **Date of Patent:** **\*\* Jun. 23, 2009**

(54) **ANGLED EJECTION PORT FOR GUNS**

(75) Inventors: **Wulf-Heinz Pflaumer**, Arnsberg (DE);  
**Franz Wonisch**, Arnsberg (DE)

(73) Assignee: **Carl Walther GmbH**, Ulm (DE)

(\*\*) Term: **14 Years**

(21) Appl. No.: **29/274,842**

(22) Filed: **May 31, 2007**

(51) **LOC (9) Cl.** ..... **22-01**

(52) **U.S. Cl.** ..... **D22/108; D22/100**

(58) **Field of Classification Search** ..... D22/108-110,  
D22/199, 100; 42/90, 96, 98, 63-64, 66,  
42/75.02, 25, 46-47

See application file for complete search history.

(56) **References Cited**

**U.S. PATENT DOCUMENTS**

5,655,326	A *	8/1997	Levavi et al.	42/70.01
5,678,340	A *	10/1997	Moon	42/25
5,794,373	A *	8/1998	Moon	42/25
6,029,645	A *	2/2000	Wonisch et al.	124/74
6,789,342	B2 *	9/2004	Wonisch et al.	42/75.02
2006/0185212	A1 *	8/2006	Curry et al.	42/46

2007/0084040	A1 *	4/2007	Pflaumer et al.	29/527.1
2008/0120891	A1 *	5/2008	Wei	42/90
2008/0148619	A1 *	6/2008	Rogers et al.	42/90

\* cited by examiner

*Primary Examiner*—Ian Simmons

*Assistant Examiner*—Wan Laymon

(74) *Attorney, Agent, or Firm*—Hoffman Wasson & Gitler

(57) **CLAIM**

The ornamental design for an angled ejection port for guns, as shown, and described.

**DESCRIPTION**

FIG. 1 is a left top side perspective view of an angled ejection port for guns showing our new design;

FIG. 2 is a right top side perspective view thereof;

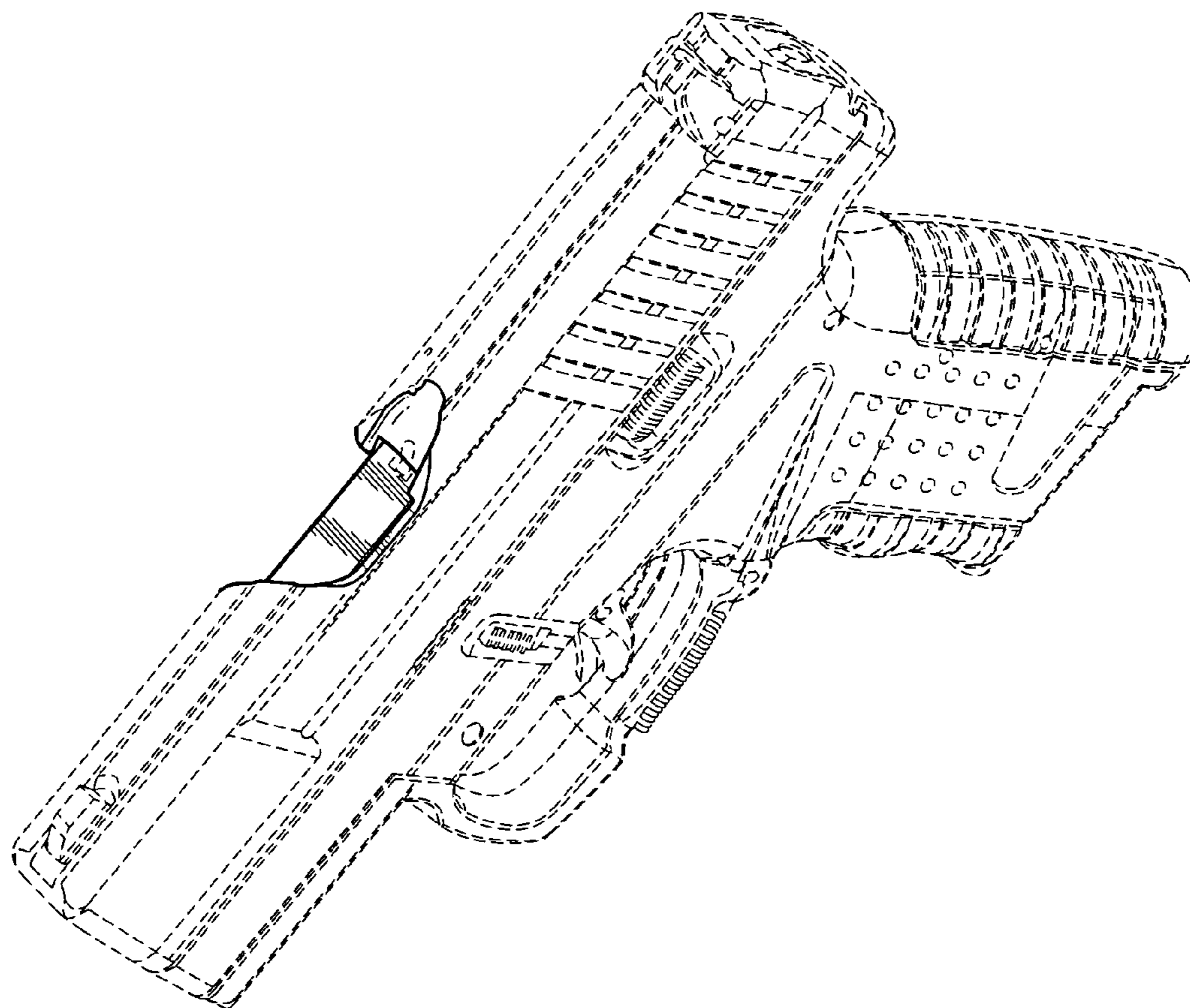
FIG. 3 is a right side view thereof;

FIG. 4 is a left side view thereof; and,

FIG. 5 is a top view thereof.

The broken lines shown in each of the figures is for the purpose of illustrating and forms no part of the claimed design.

**1 Claim, 5 Drawing Sheets**



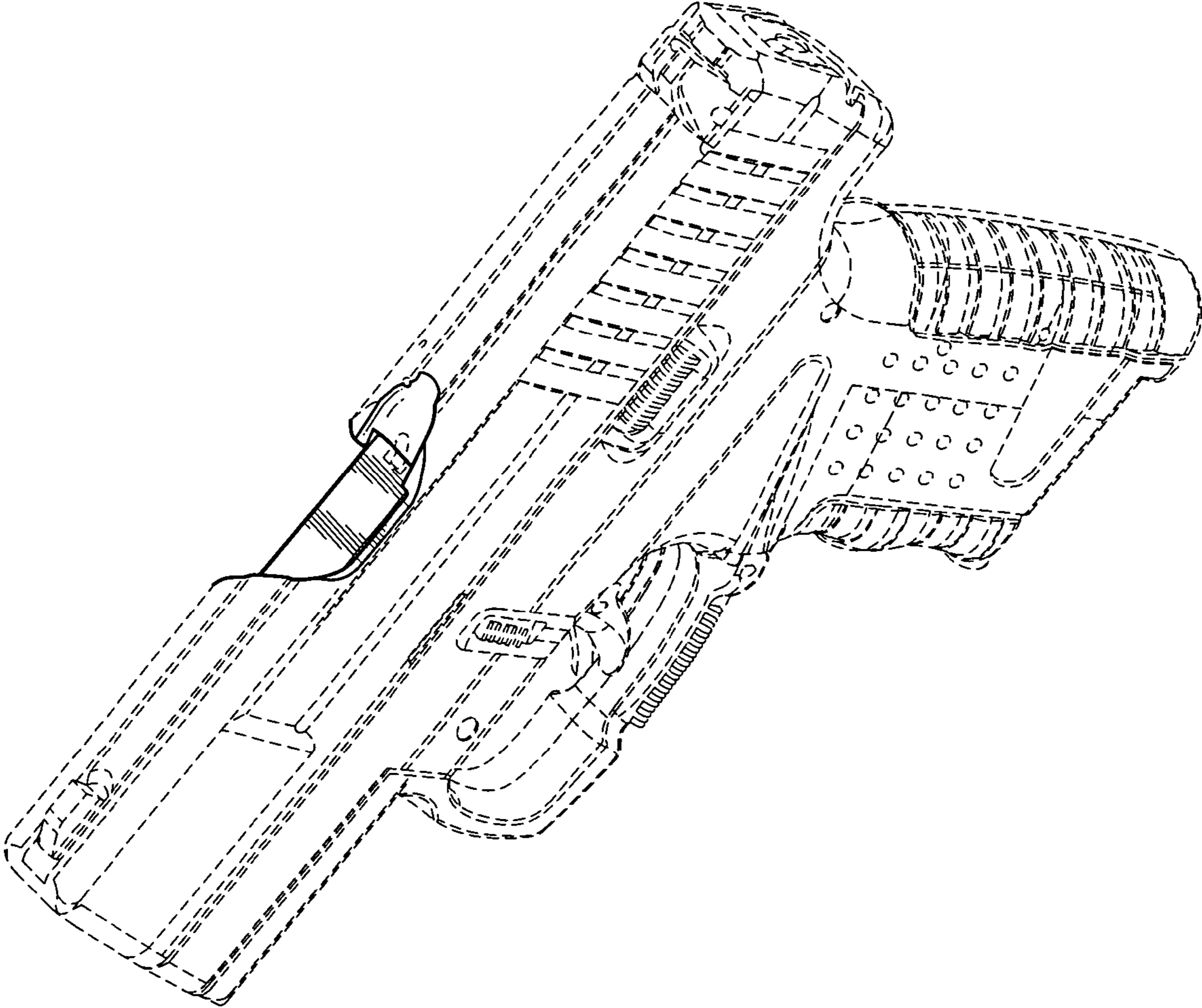


FIG. 1

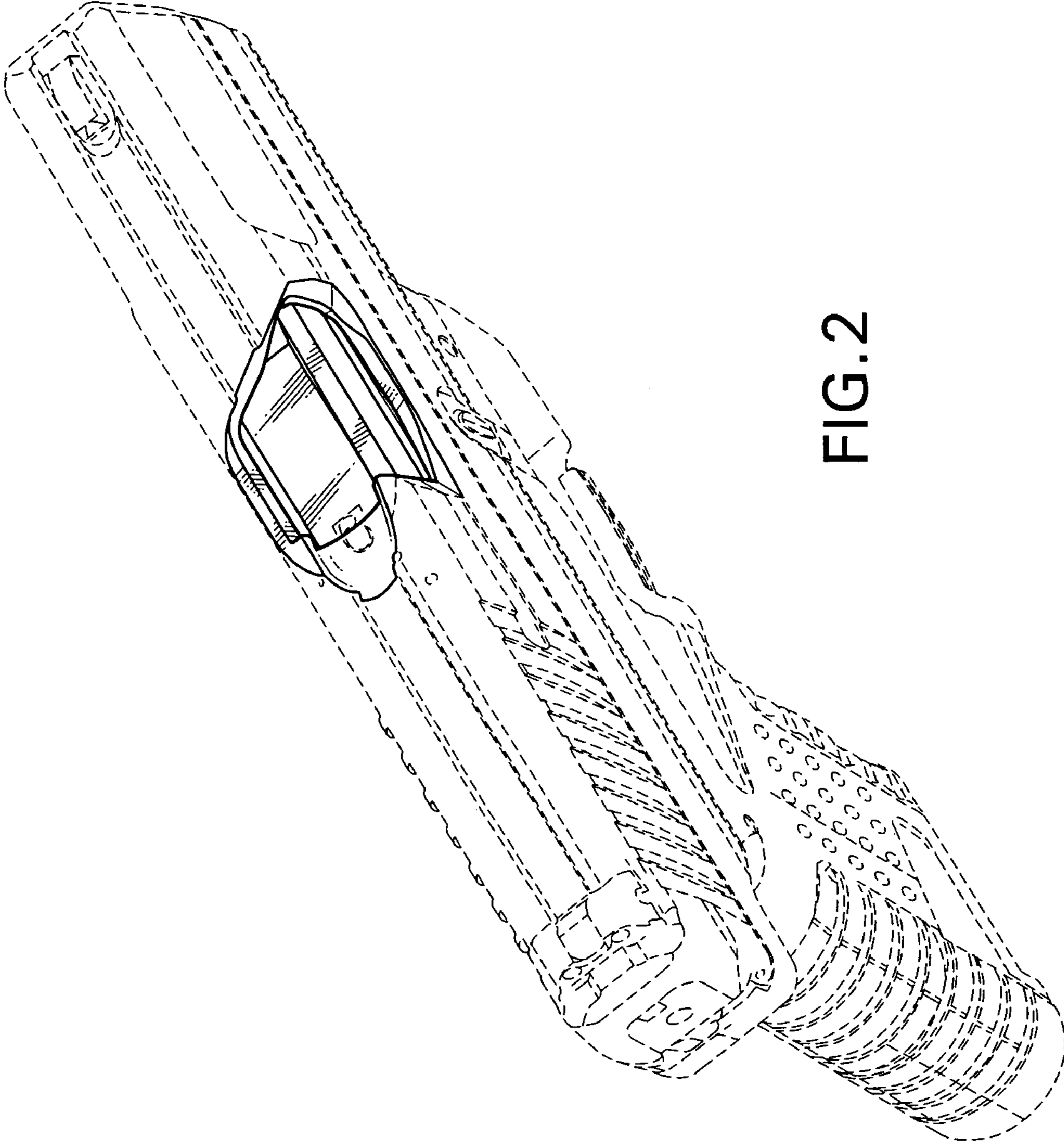


FIG. 2



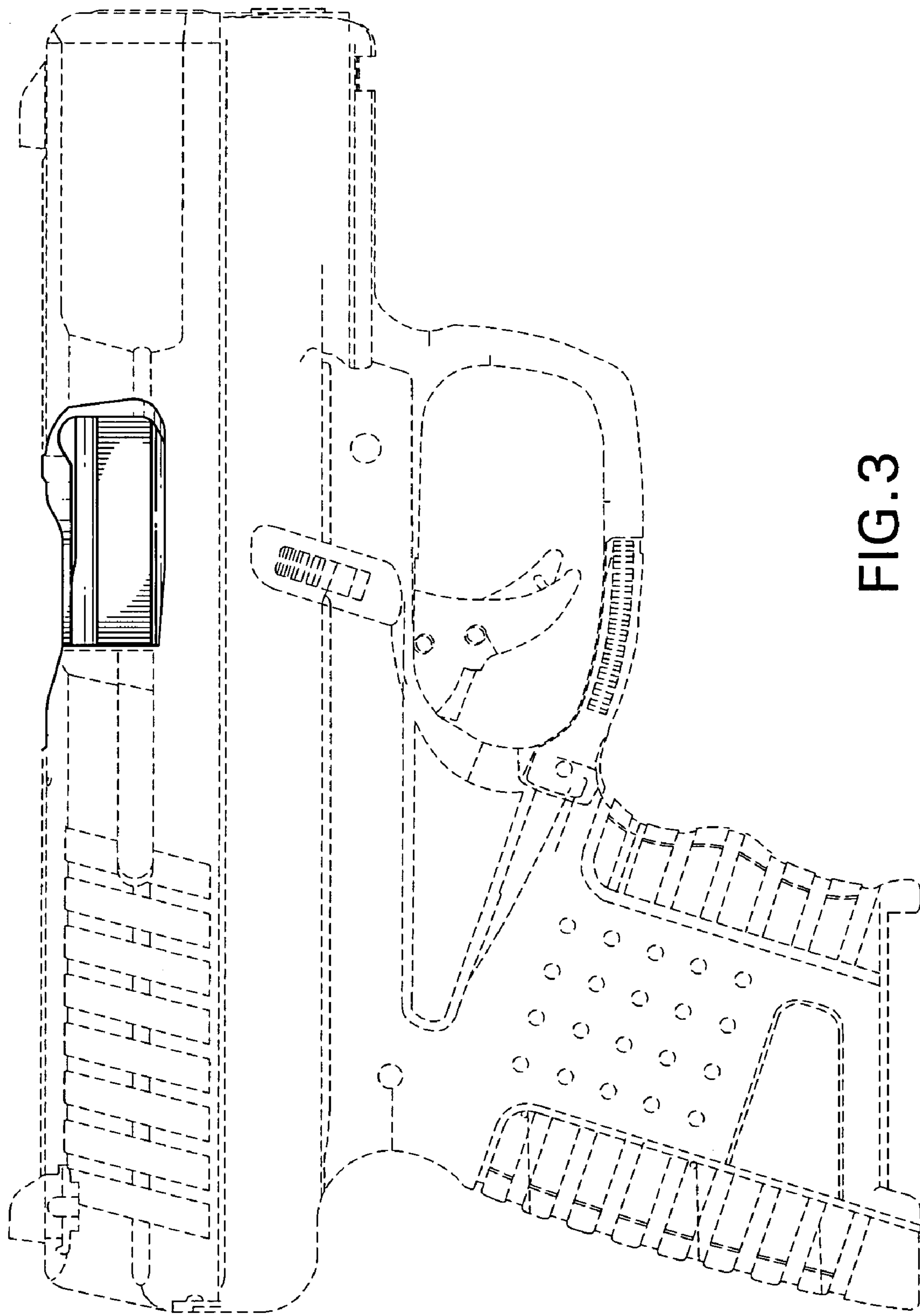


FIG. 3

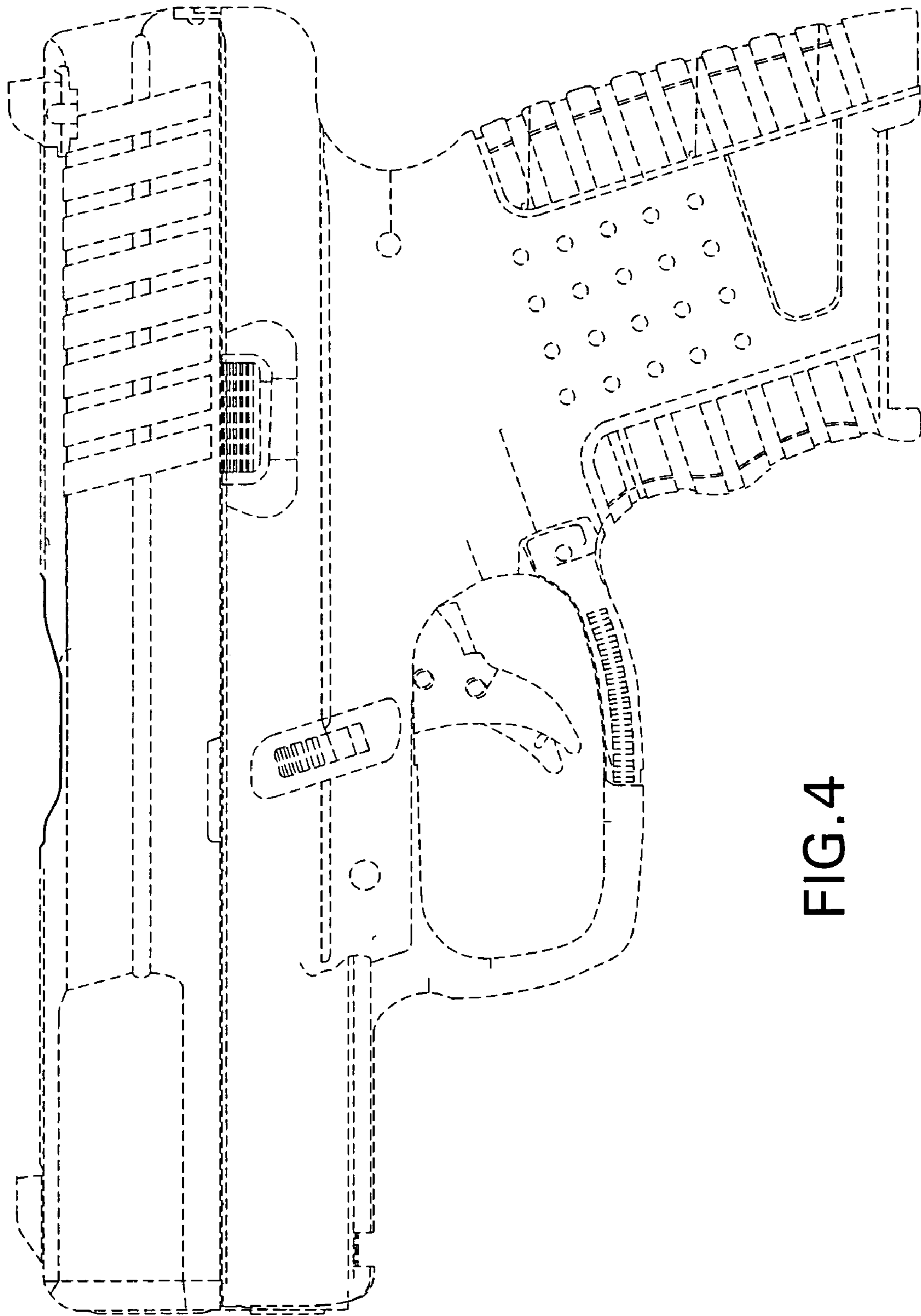


FIG. 4

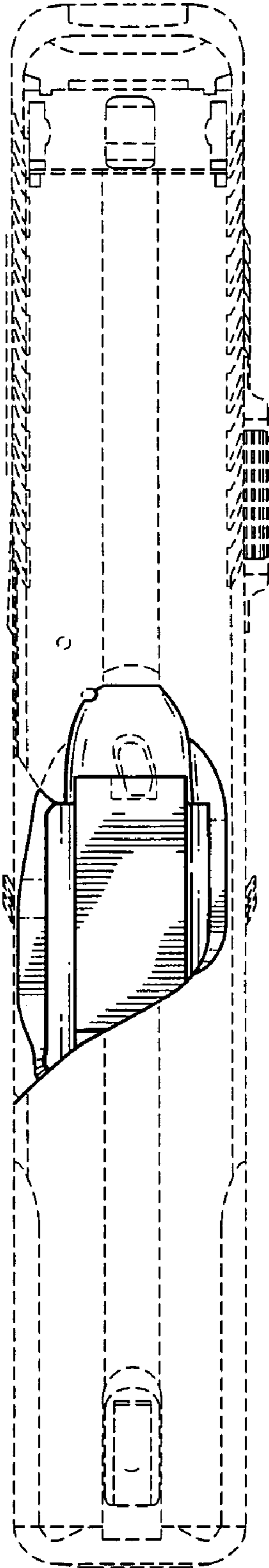


FIG. 5