



US00D594923S

(12) **United States Design Patent**
Auberger

(10) **Patent No.:** **US D594,923 S**

(45) **Date of Patent:** **** Jun. 23, 2009**

(54) **PLAY STRUCTURE**

(75) Inventor: **Benoit Auberger**, La Meilleraie Tillay
(FR)

(73) Assignee: **Wesco S.A.**, Cerizay (FR)

(**) Term: **14 Years**

(21) Appl. No.: **29/321,652**

(22) Filed: **Jul. 21, 2008**

(30) **Foreign Application Priority Data**

Jan. 22, 2008 (EM) 865167-0013

(51) **LOC (9) Cl.** **21-03**

(52) **U.S. Cl.** **D21/814**

(58) **Field of Classification Search** D21/811,
D21/814, 818-827; 482/35, 36
See application file for complete search history.

(56) **References Cited**

U.S. PATENT DOCUMENTS

4,378,216 A * 3/1983 Phillips 482/35
D325,060 S * 3/1992 Matsch D21/818

D334,610 S * 4/1993 Aker D21/818
D400,948 S * 11/1998 Fish, Jr. et al. D21/818
D514,652 S * 2/2006 Auberger D21/818
D524,897 S * 7/2006 VanDeusen et al. D21/820
D524,898 S * 7/2006 VanDeusen et al. D21/820

* cited by examiner

Primary Examiner—Mitchell I Siegel

(74) *Attorney, Agent, or Firm*—Westerman, Hattori, Daniels
& Adrian, LLP.

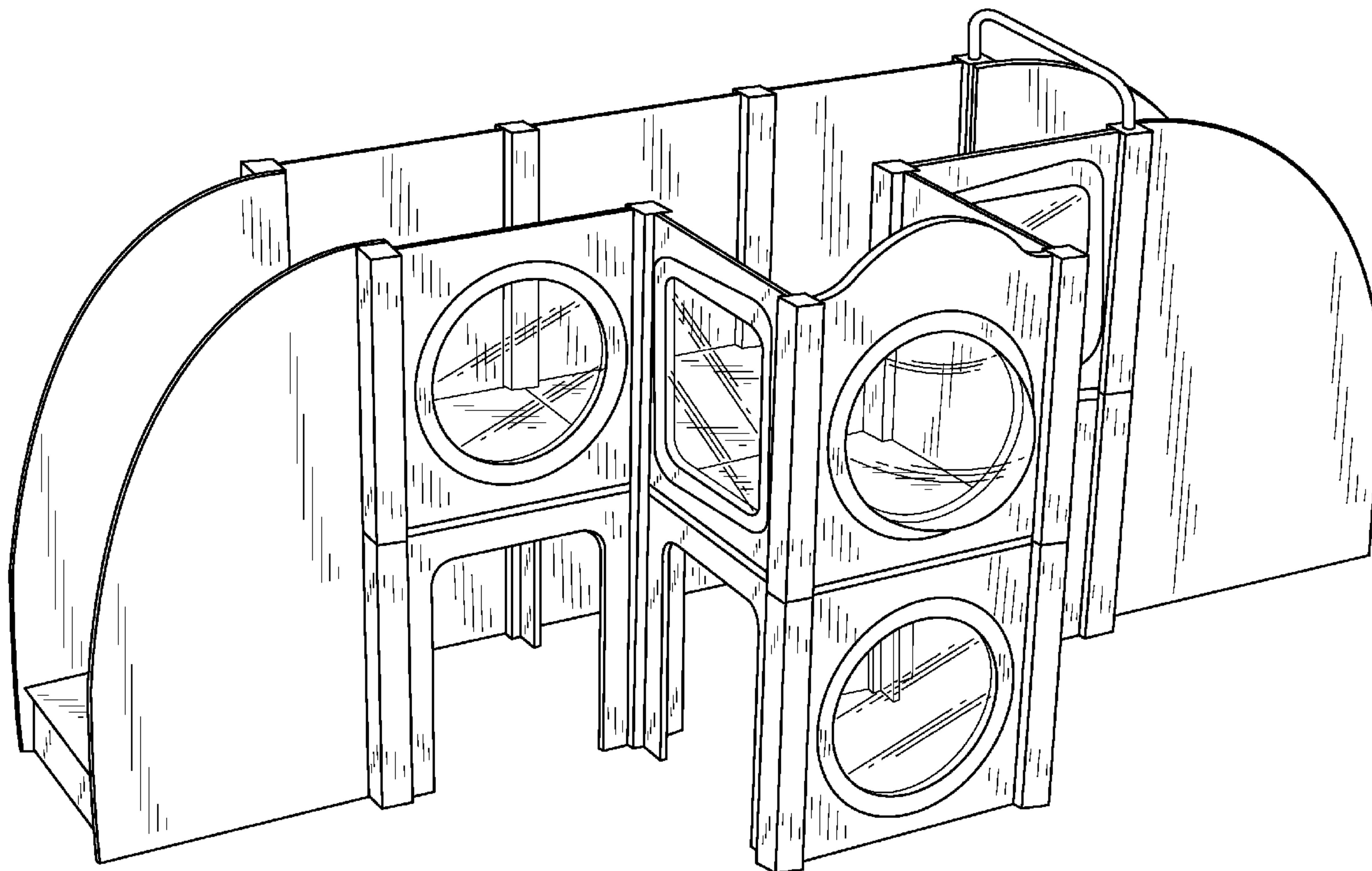
(57) **CLAIM**

The ornamental design for play structure, as shown and described.

DESCRIPTION

FIG. 1 is a front perspective view of the play structure;
FIG. 2 is a rear perspective view thereof;
FIG. 3 is another rear perspective view thereof;
FIG. 4 is a side perspective view thereof;
FIG. 5 is a front elevational view thereof; and,
FIG. 6 is a top plan view thereof.

1 Claim, 6 Drawing Sheets



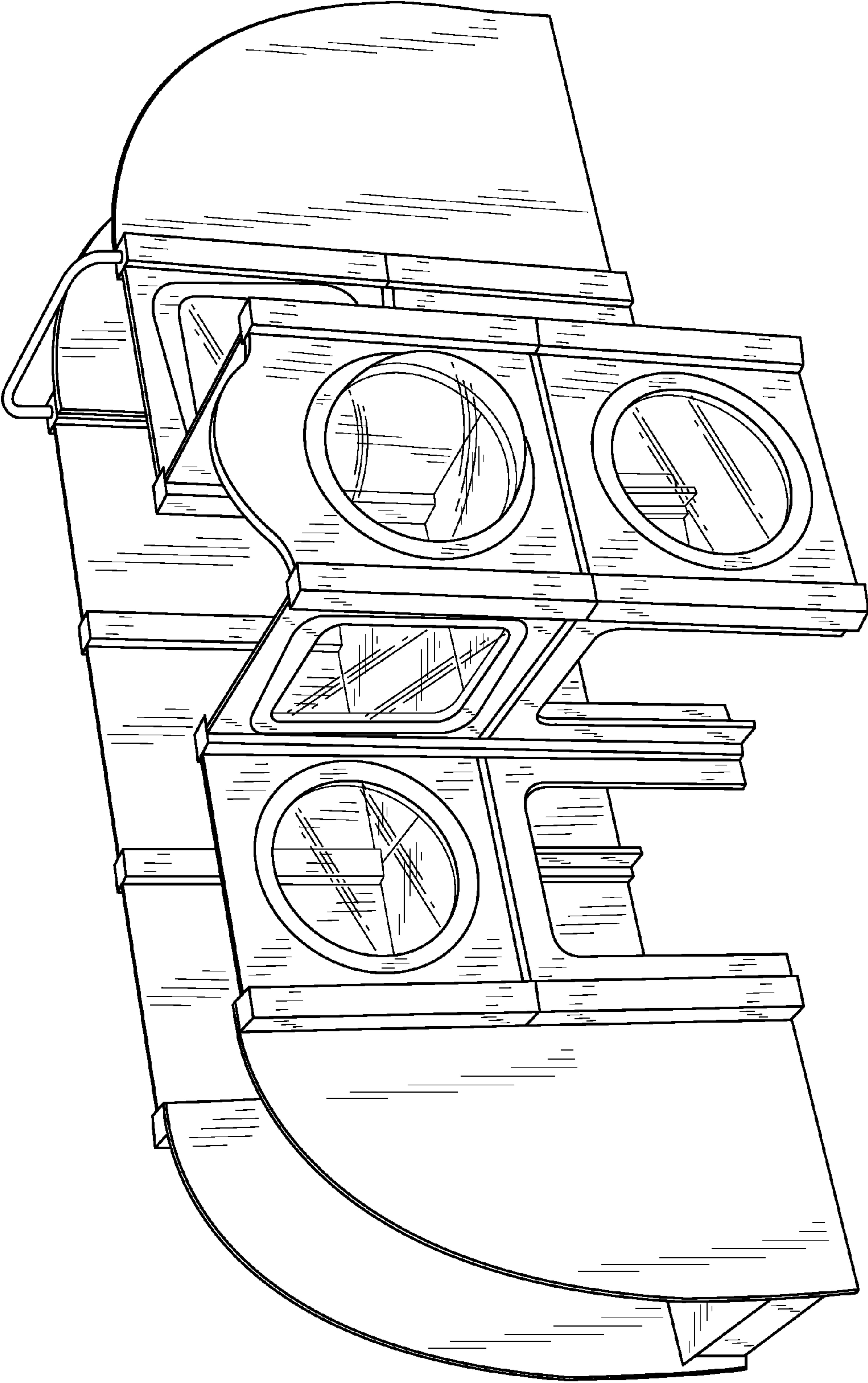


FIG.1

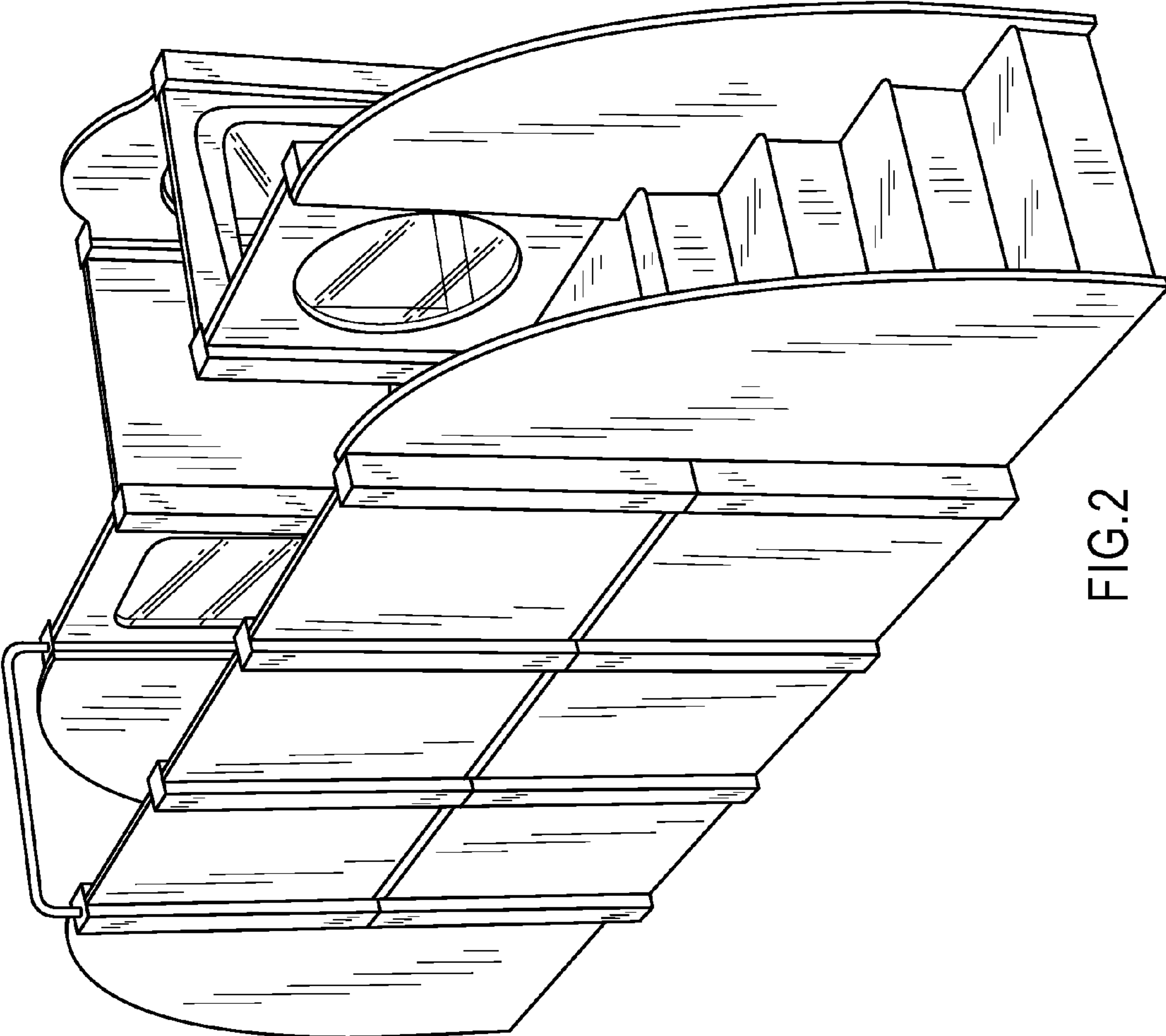


FIG.2

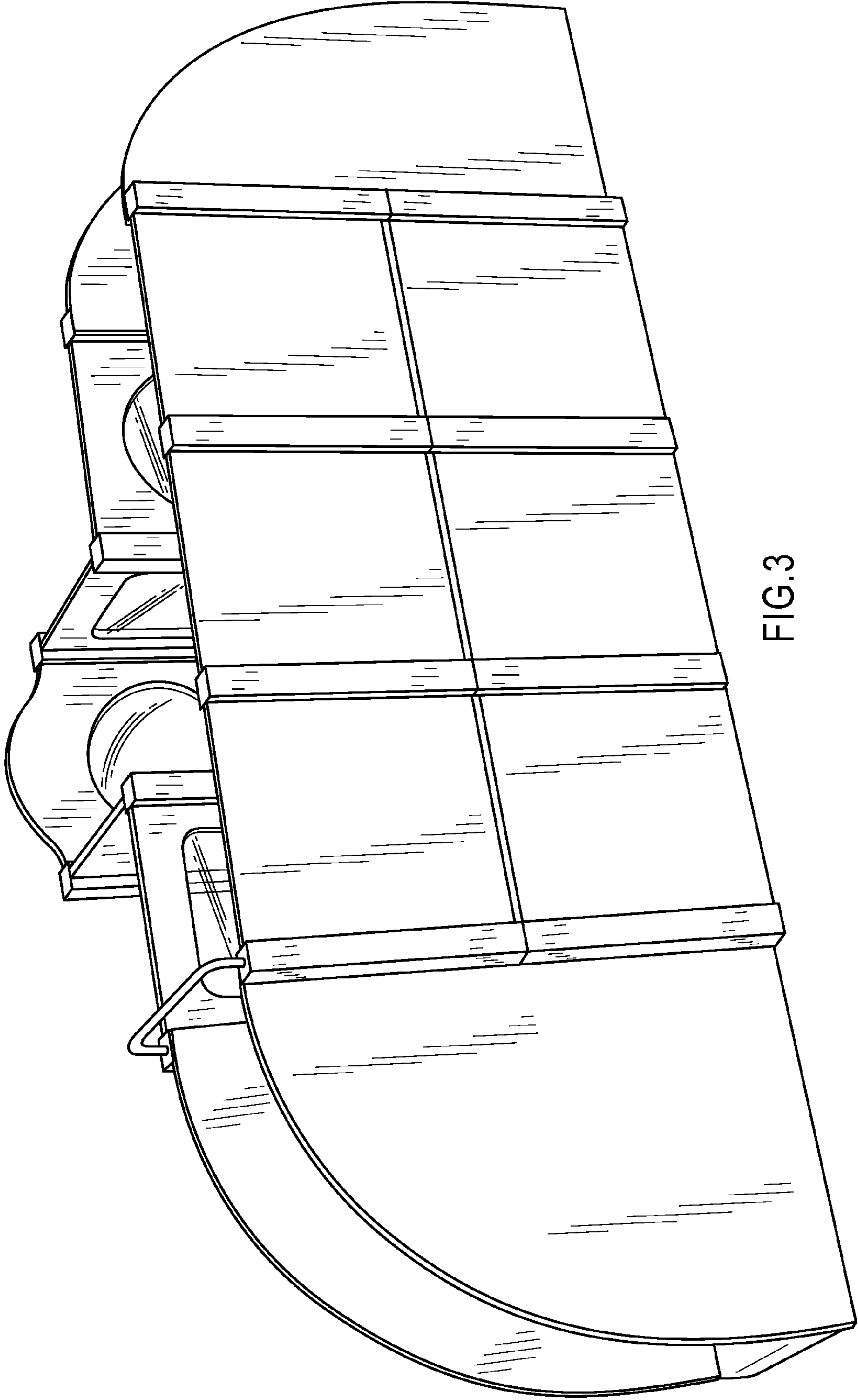


FIG.3

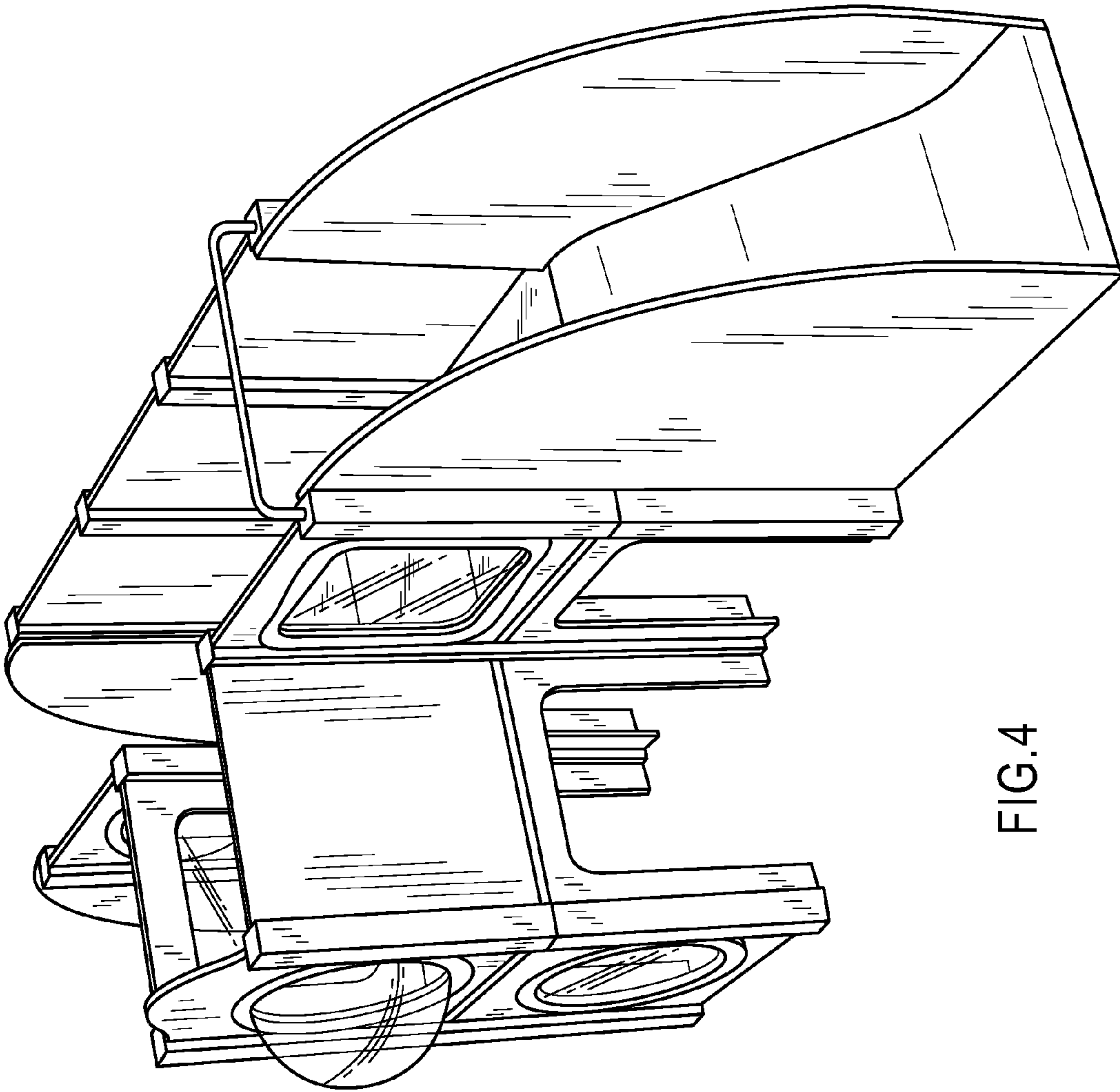


FIG.4

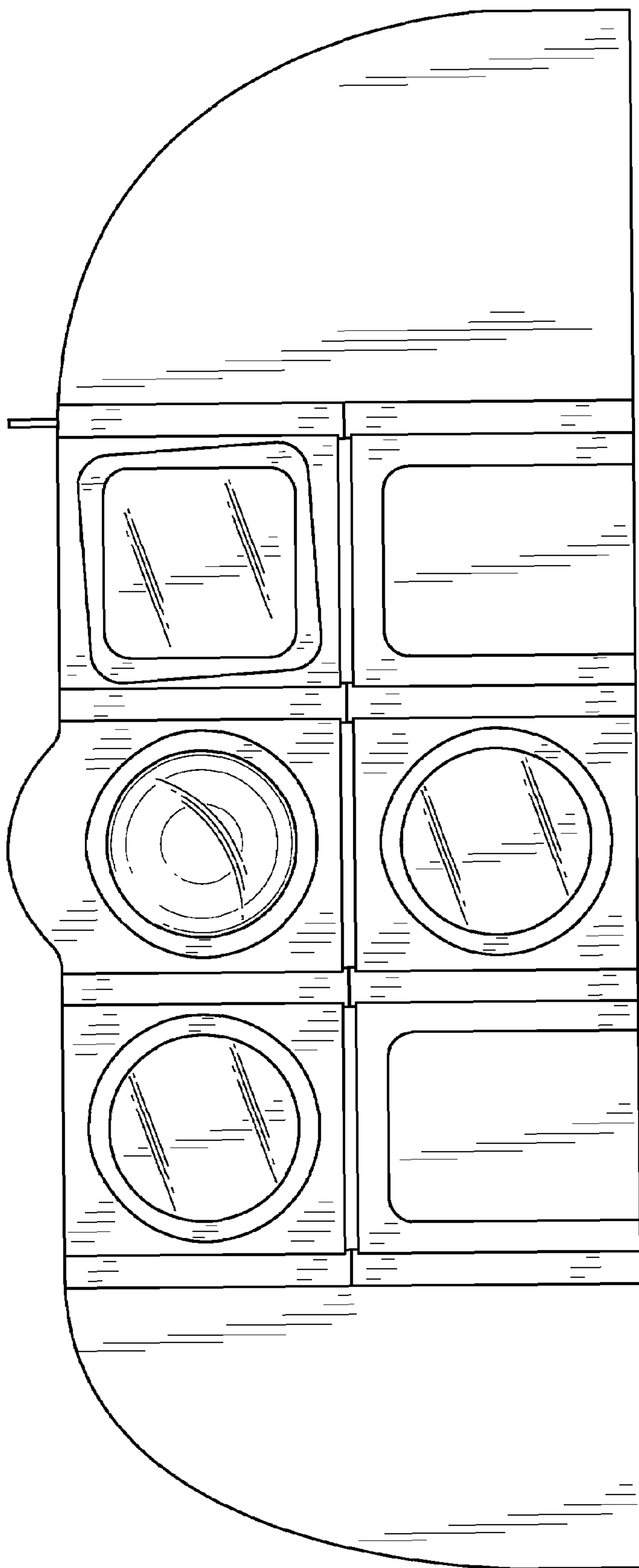


FIG.5

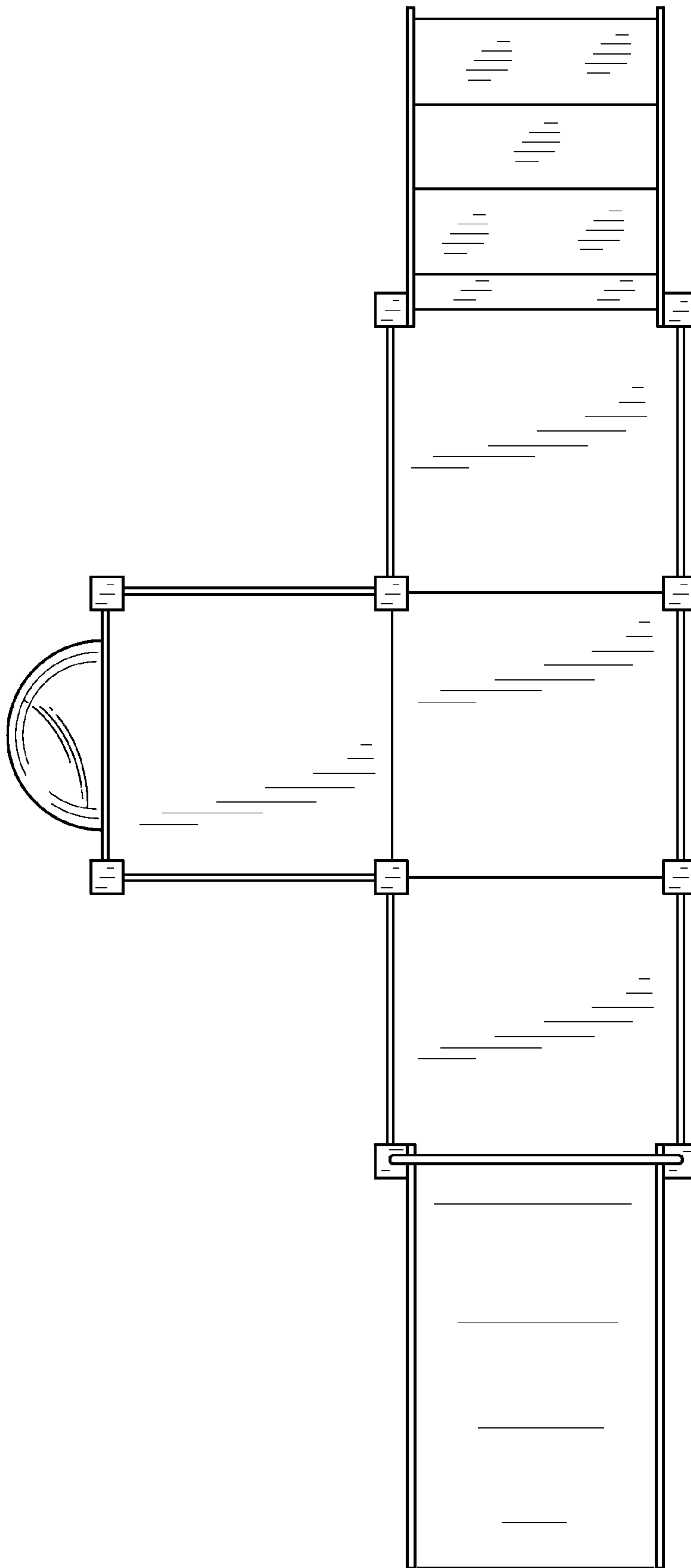


FIG.6