



US00D594921S

(12) **United States Design Patent**
Bettinardi

(10) **Patent No.:** **US D594,921 S**

(45) **Date of Patent:** **** Jun. 23, 2009**

(54) **PUTTER FACE**

D532,070 S * 11/2006 Solari D21/759

(76) Inventor: **Robert J. Bettinardi**, 7800 Graphics
Dr., Tinley Park, IL (US) 60477

* cited by examiner

Primary Examiner—Mitchell I Siegel

(**) Term: **14 Years**

(74) *Attorney, Agent, or Firm*—Brian B. Diekhoff; Polsinelli
Shughart PC

(21) Appl. No.: **29/305,173**

(57) **CLAIM**

(22) Filed: **Mar. 14, 2008**

The ornamental design for a putter face, as shown and
described.

(51) **LOC (9) Cl.** **21-02**

(52) **U.S. Cl.** **D21/759**

(58) **Field of Classification Search** D21/733,
D21/752, 759; 473/324–331, 343–346

DESCRIPTION

See application file for complete search history.

FIG. 1 is a front perspective view of a putter with the putter
face;

(56) **References Cited**

FIG. 2 is a front view of the putter with the putter face;

U.S. PATENT DOCUMENTS

FIG. 3 is a rear view of the putter with the putter face;

722,927 A * 3/1903 Swift 473/330

FIG. 4 is a heel side view of the putter with the putter face;

D55,278 S * 5/1920 Kraeuter 473/331

FIG. 5 is a toe side view of the putter with the putter face;

D63,284 S * 11/1923 Challis D21/736

FIG. 6 is a top view of the putter with the putter face; and,

D429,302 S * 8/2000 Antonious D21/759

FIG. 7 is a bottom view of the putter with the putter face.

D429,786 S * 8/2000 Antonious D21/759

The broken lines shown are for illustrative purposes only and
form no part of the claimed design.

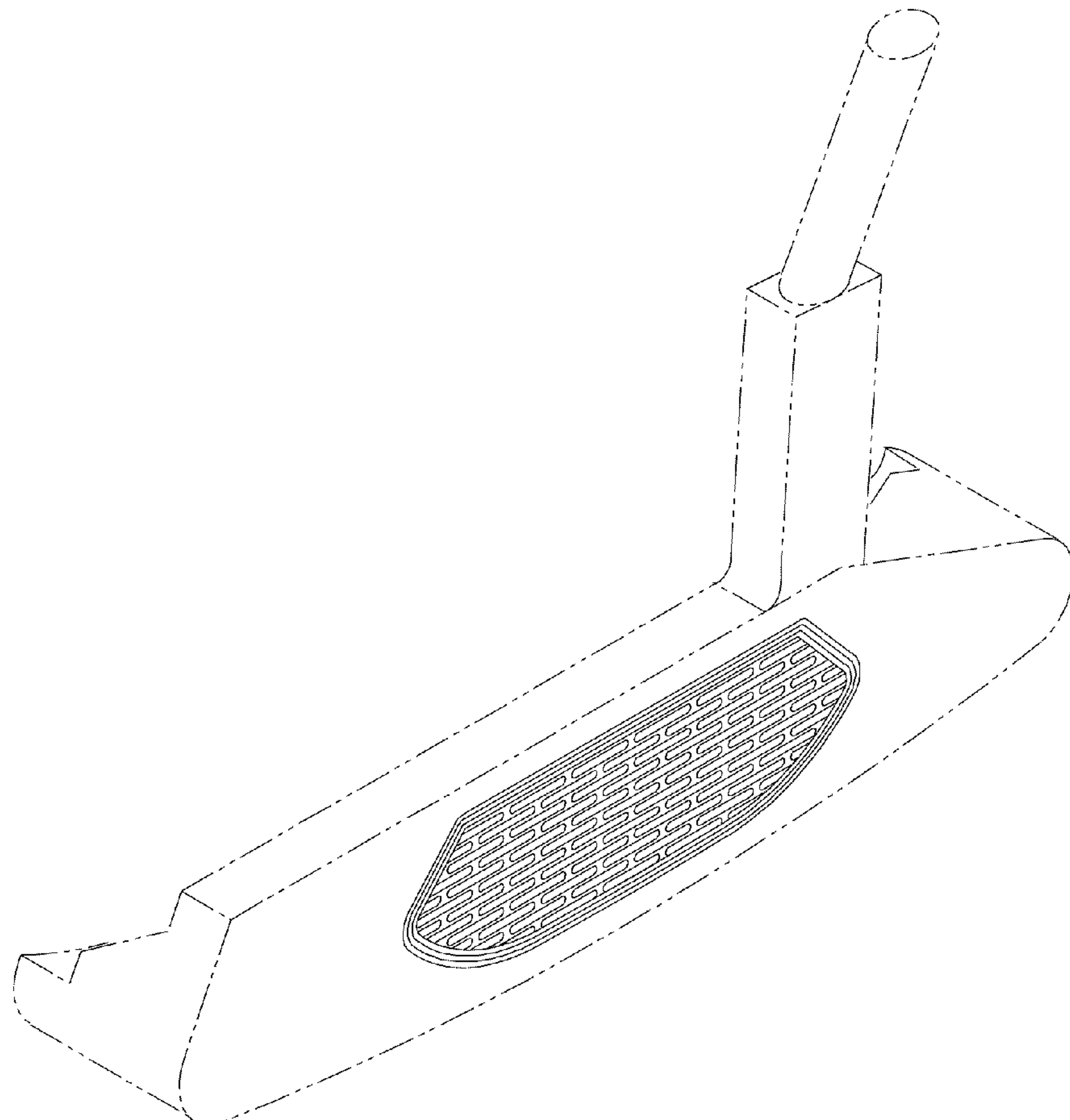
D430,914 S * 9/2000 Antonious D21/759

1 Claim, 2 Drawing Sheets

D433,087 S * 10/2000 Antonious D21/759

D434,096 S * 11/2000 Antonious D21/759

6,257,994 B1 * 7/2001 Antonious 473/331



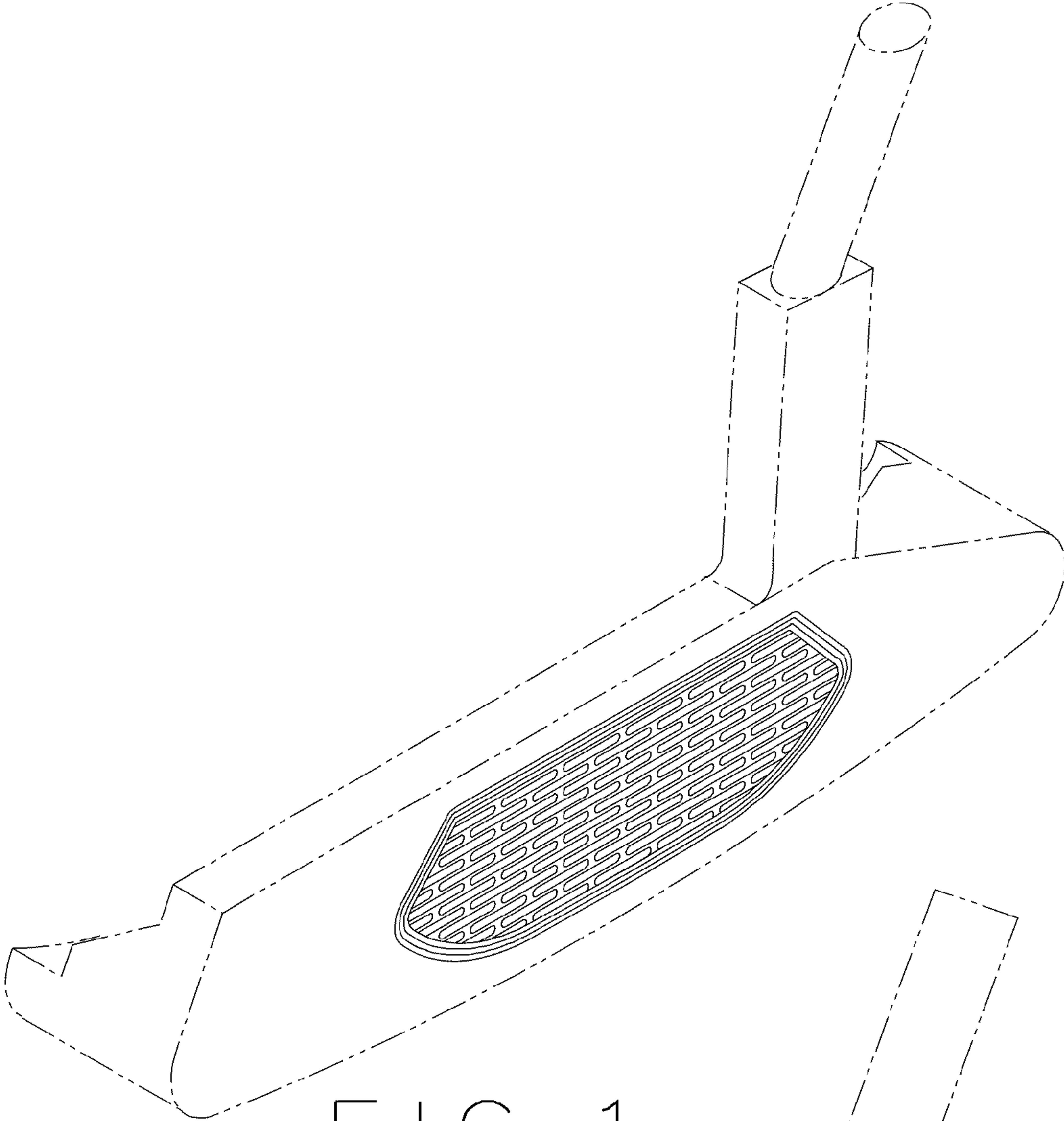


FIG. 1

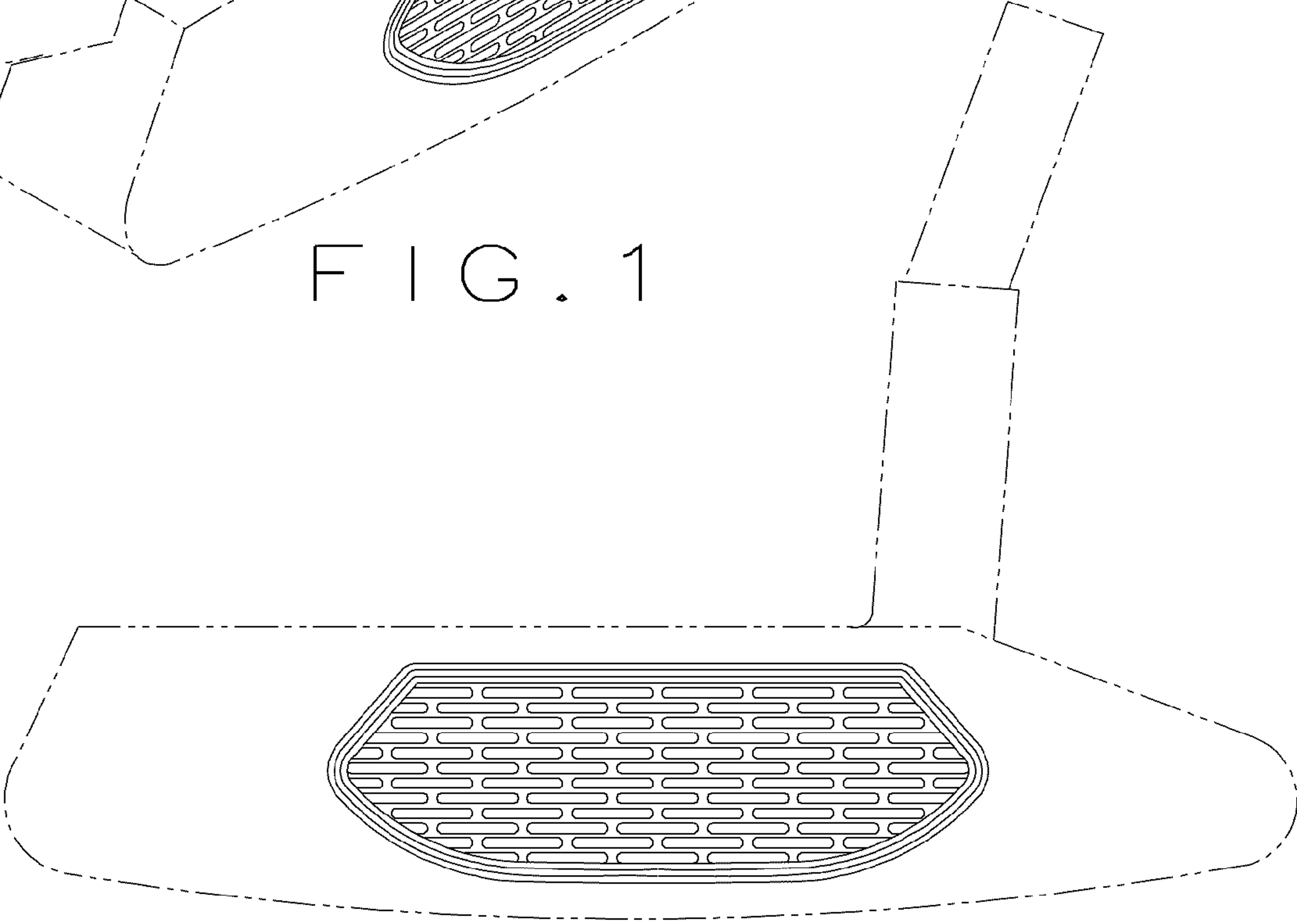


FIG. 2

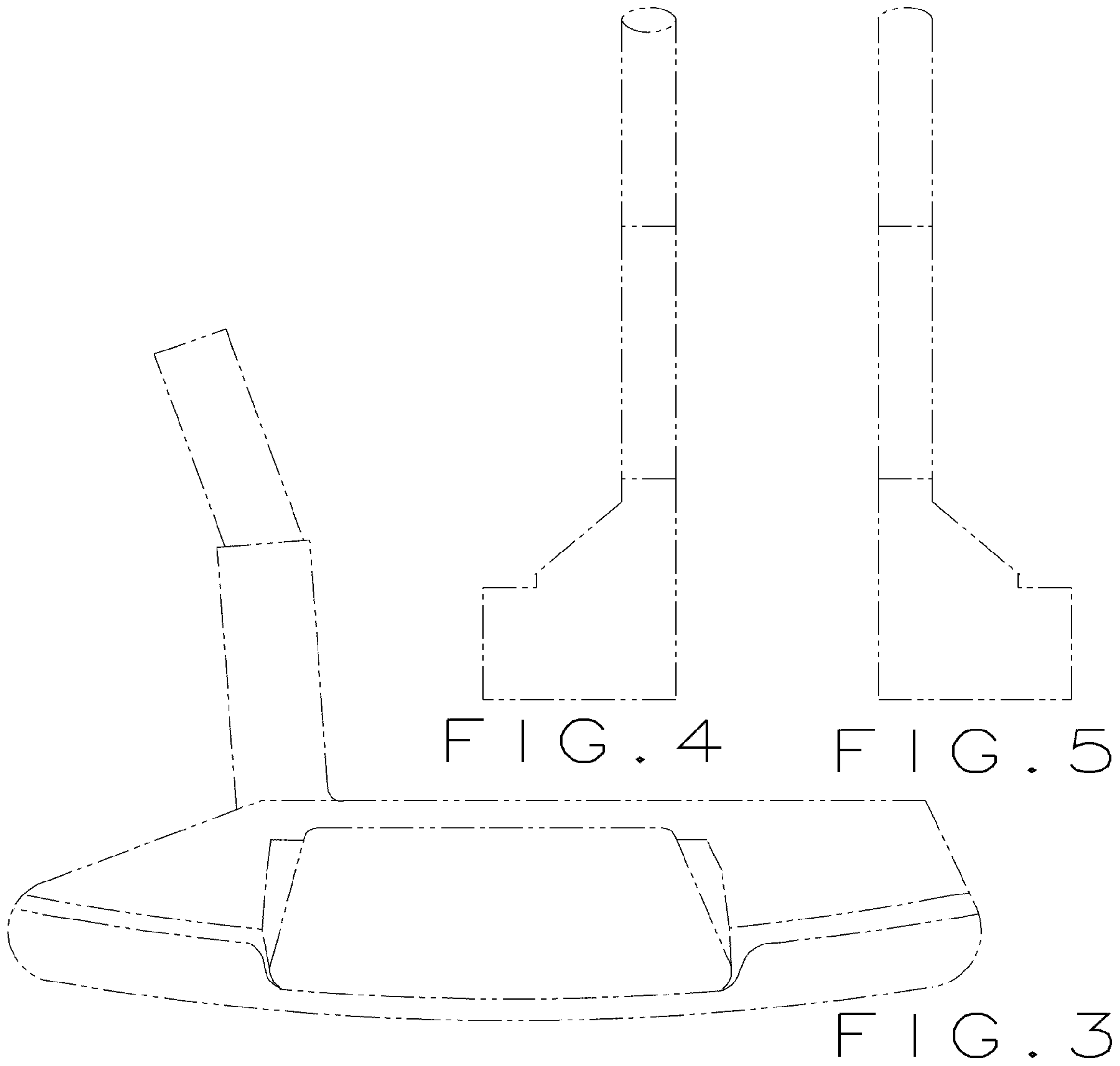


FIG. 6



FIG. 7